

[54] TUB STRAINER WRENCH WITH MULTI-POSITIONABLE HANDLE

[76] Inventor: Robert L. Duke, 4154 Arden St., Clemmons, N.C. 27012

[\*\*] Term: 14 Years

[21] Appl. No.: 120,511

[22] Filed: Nov. 13, 1987

[52] U.S. Cl. .... D8/25; D8/14

[58] Field of Search ..... D8/21-29, D8/14; 81/176.1, 121.1-124.7, 177.1, 177.85, 64, 180.1, 490, 179

[56] References Cited

U.S. PATENT DOCUMENTS

3,238,823	3/1966	Snow	81/179
4,125,913	11/1978	Lewis	81/124.2
4,237,754	12/1980	Battrick	81/439
4,542,666	9/1985	White	81/176.1

FOREIGN PATENT DOCUMENTS

9341	of 1890	United Kingdom	81/124.7
22143	of 1905	United Kingdom	81/124.2
2183188	6/1987	United Kingdom	81/124.7

OTHER PUBLICATIONS

Jo Manufacturing Co. Adaptor-Hose Clamp Wing Nut Socket, Cat. #1028/Jun. 24, 1946.  
ITE Electrical Components Corp. new product bulletin HT-48, Locknut-Bushing Sockets.

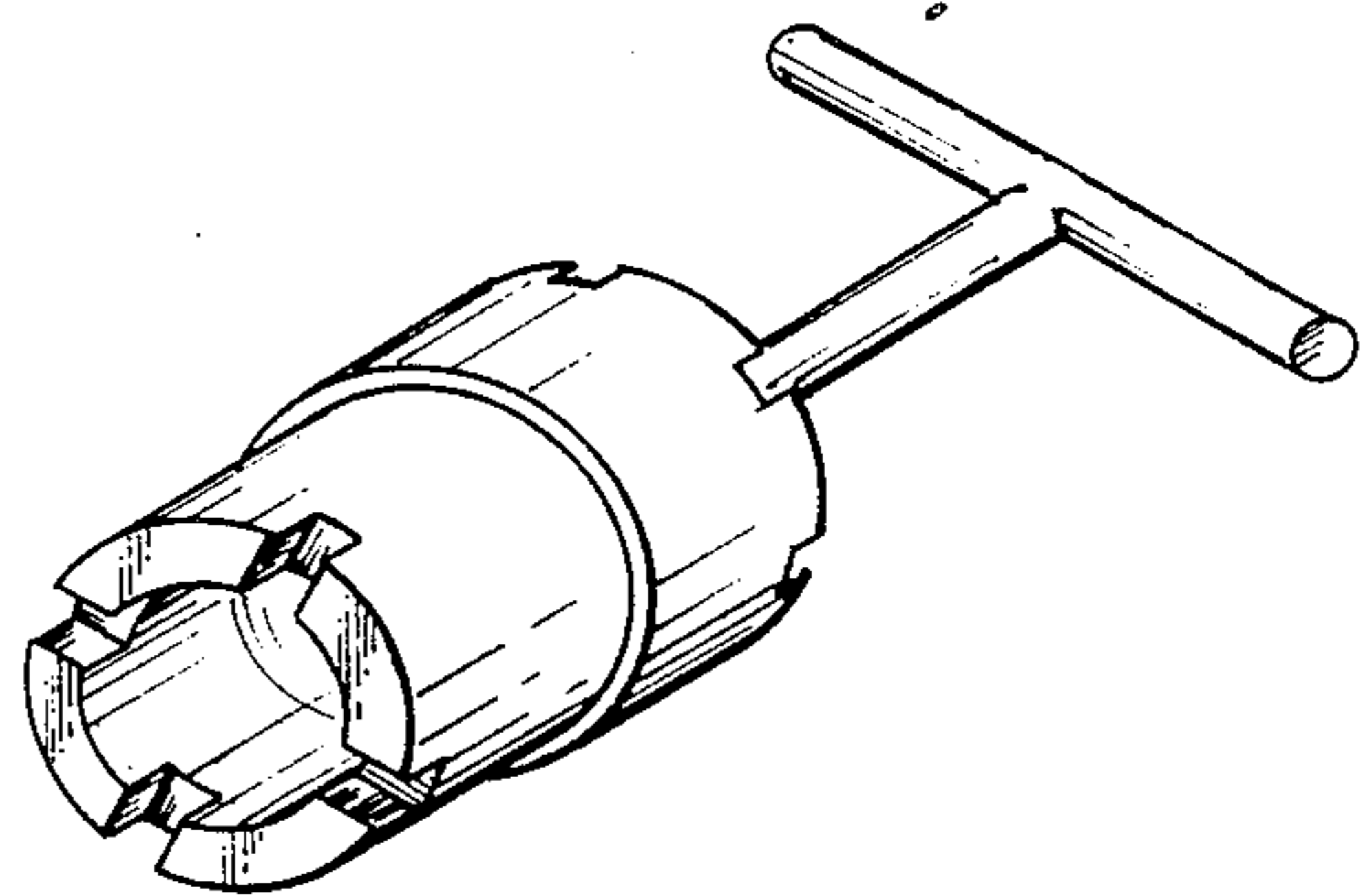
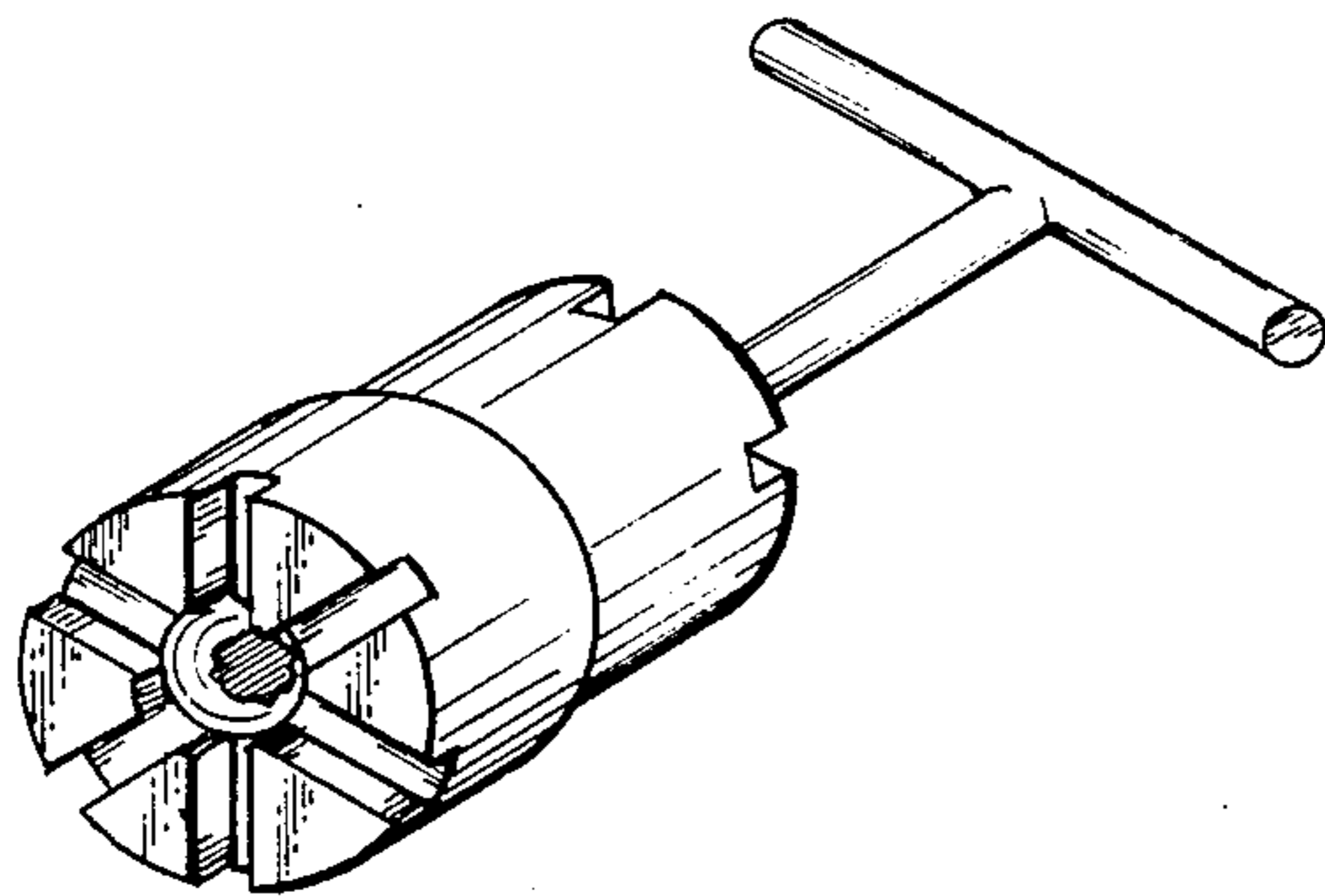
Primary Examiner—Bruce W. Dunkins  
Assistant Examiner—Martha Thompson

[57] CLAIM

The ornamental design for a tub strainer wrench with multi-positionable handle, as shown and described.

DESCRIPTION

FIG. 1 is a one end perspective view of the tub strainer wrench with multi-positionable handle showing my new design;  
FIG. 2 is an opposite end perspective view thereof, with the handle shown in the alternate position;  
FIG. 3 is an enlarged end elevational view thereof, with the handle shown removed for ease of illustration only;  
FIG. 4 is an enlarged opposite end elevational view thereof, with the handle shown removed for ease of illustration only; and  
FIG. 5 is an enlarged side elevational view thereof, with the handle shown removed for ease of illustration only.



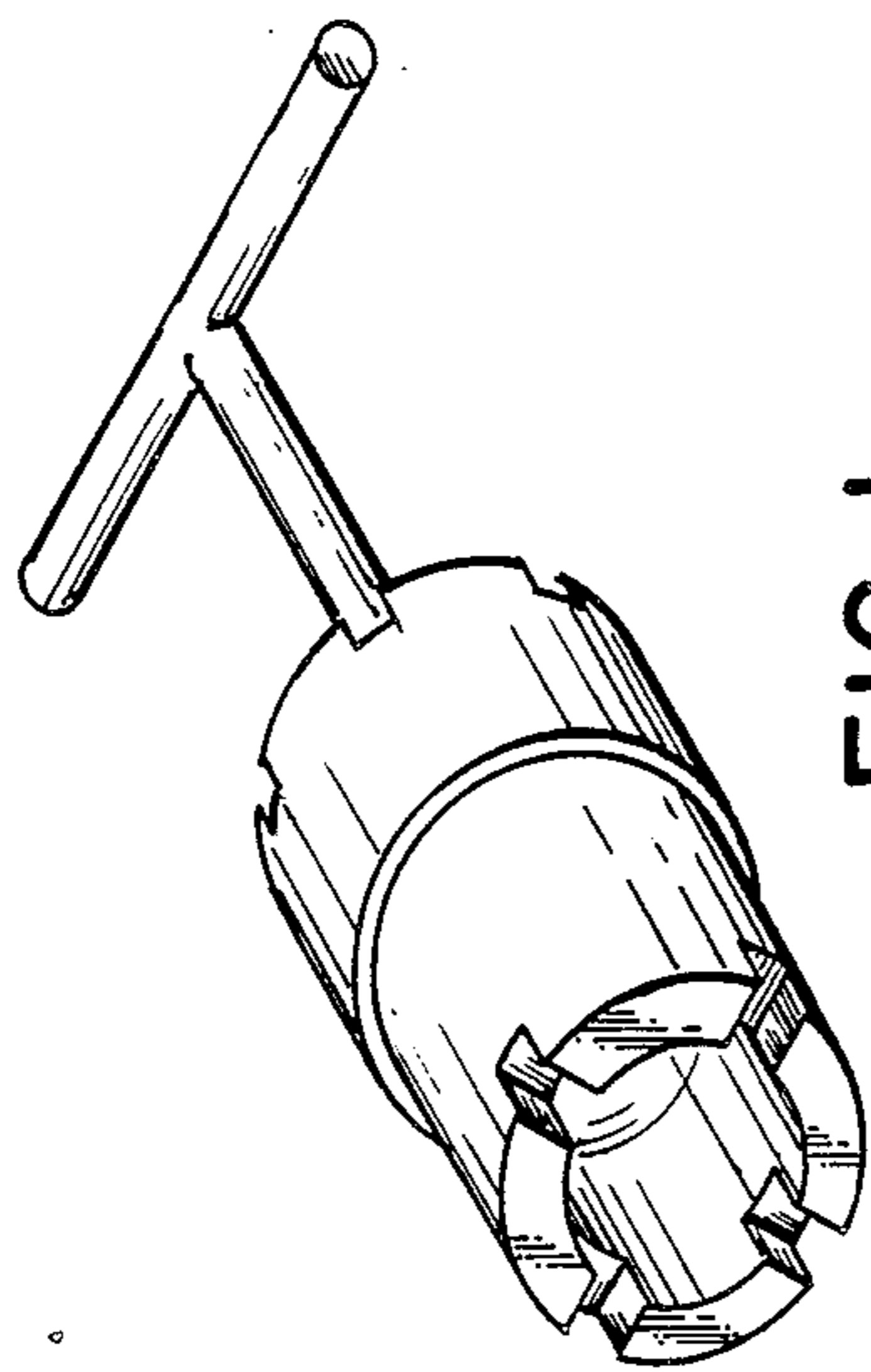


FIG. 1

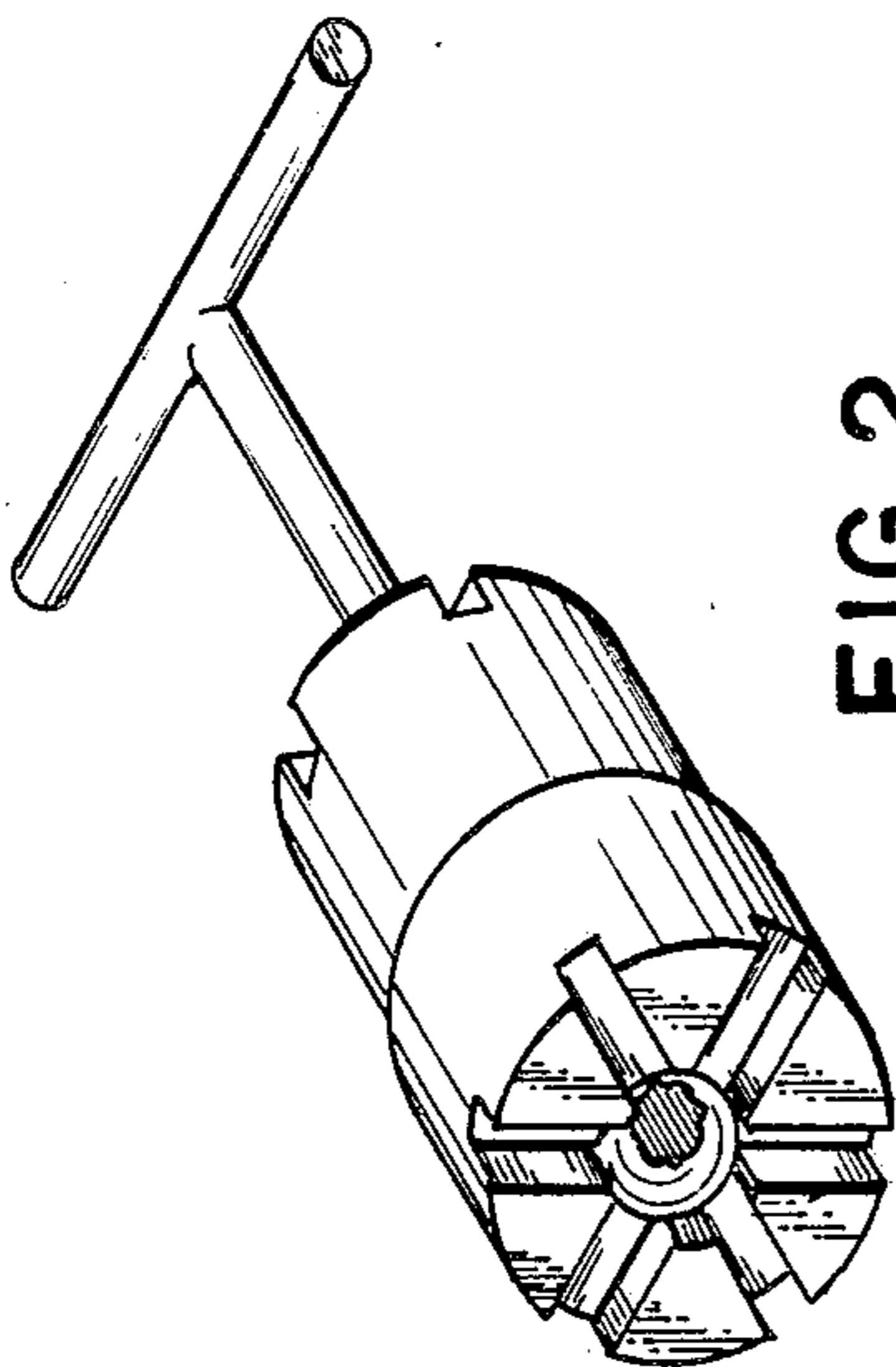


FIG. 2

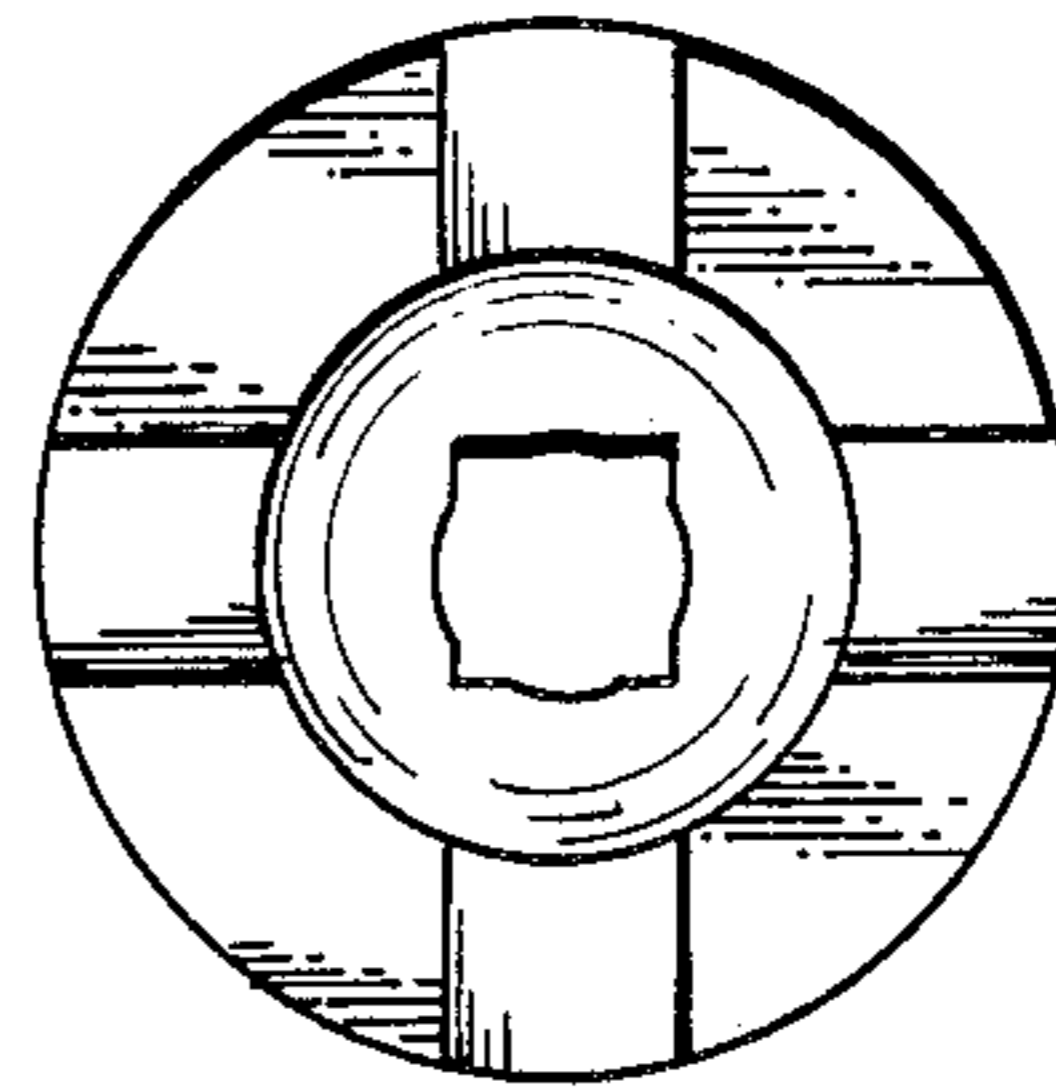


FIG. 3

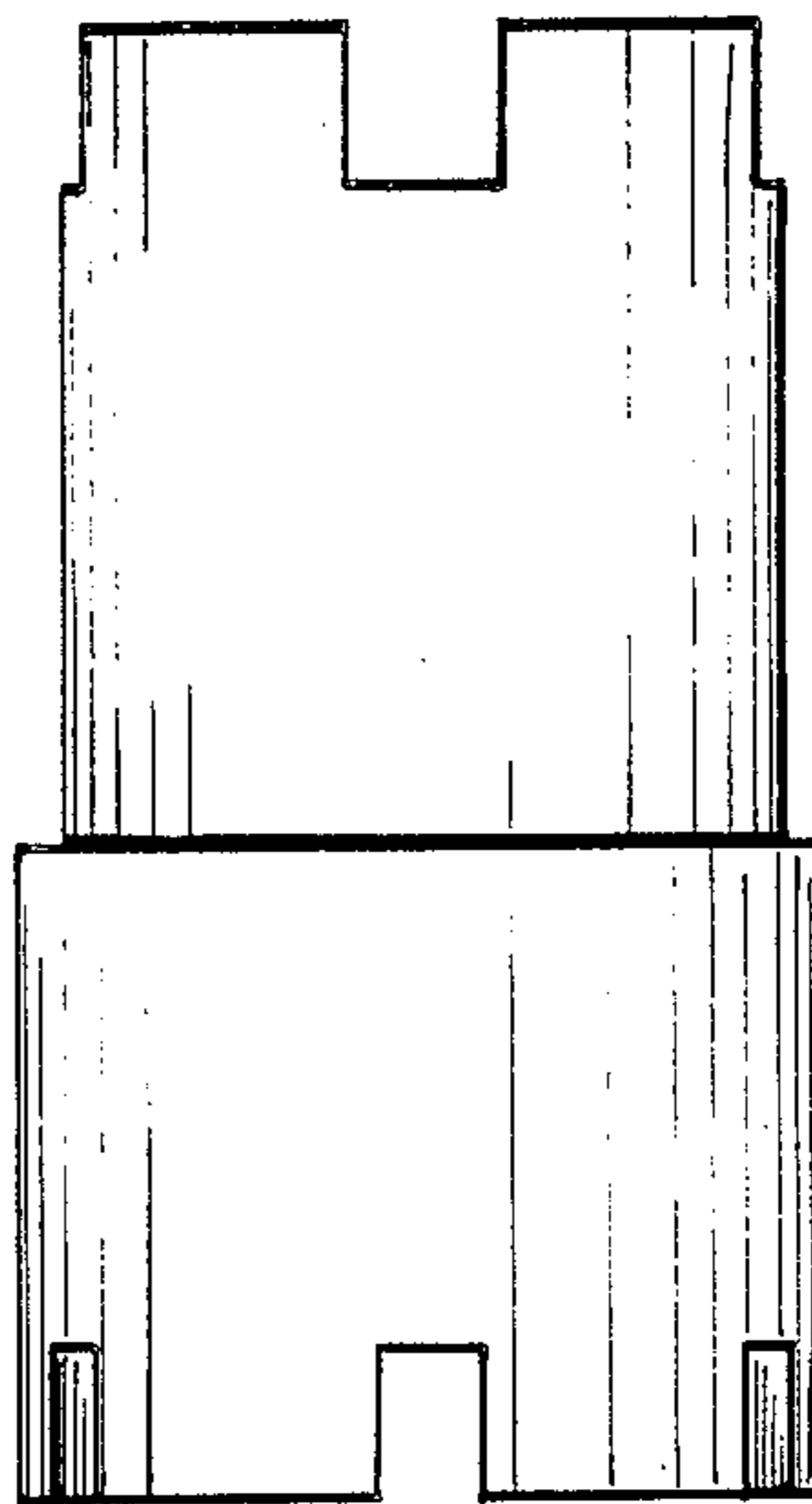


FIG. 5

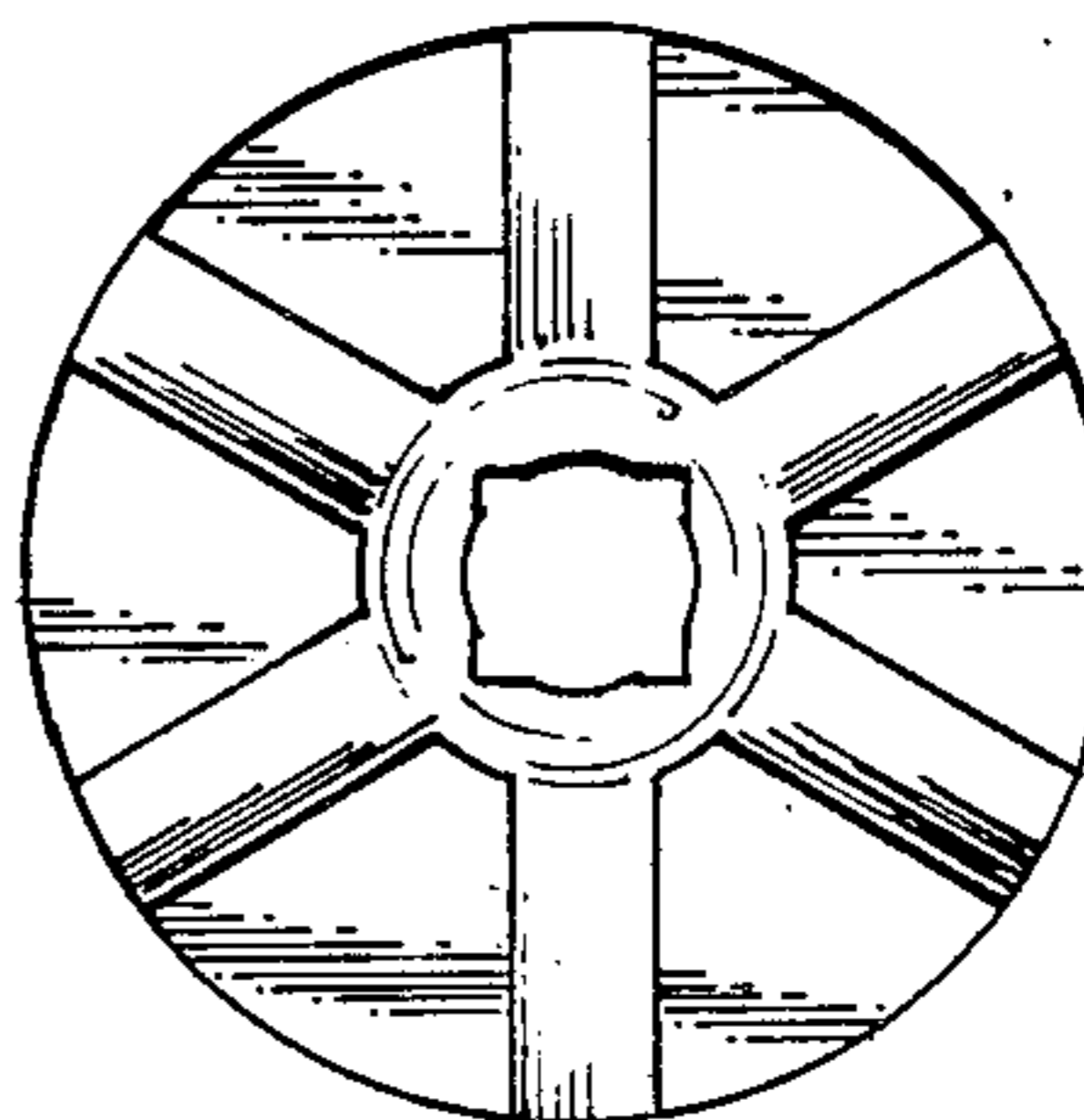


FIG. 4