

[54] PUSH-BUTTON RATCHET WRENCH

[76] Inventor: Bao L. Chang, No. 20, Alley, 39, East 1st Lane, Sec. 2, Chang Ping Road, Pei Twen District, Taichung, Taiwan

[**] Term: 14 Years

[21] Appl. No.: 243,022

[22] Filed: Sep. 12, 1988

[52] U.S. Cl. D8/25

[58] Field of Search D8/17-19, D8/21-29; 81/177.1, 60-64, 57.3

[56] References Cited

U.S. PATENT DOCUMENTS

4,703,676 11/1987 Mayer 81/63
4,722,253 2/1988 Chow 81/63

FOREIGN PATENT DOCUMENTS

1208036 10/1970 United Kingdom 81/63

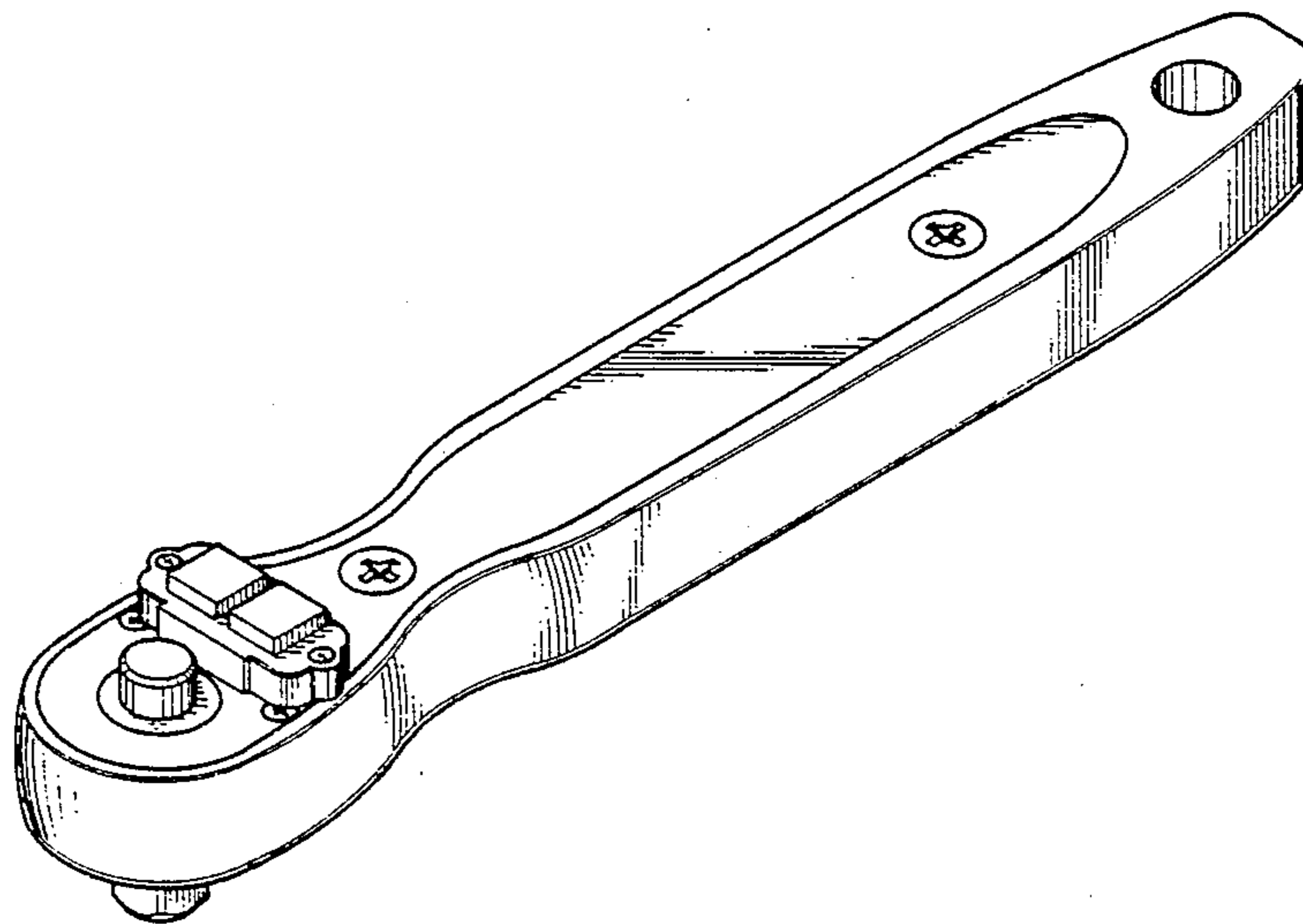
Primary Examiner—Bruce W. Dunkins
Assistant Examiner—Clare E. Heflin
Attorney, Agent, or Firm—Zarley McKee, Thomte, Voorhees & Sease

[57] CLAIM

The ornamental design for a push-button ratchet wrench, as shown and described.

DESCRIPTION

FIG. 1 is a perspective view of a push-button ratchet wrench showing my new design;
FIG. 2 is a front elevational view thereof;
FIG. 3 is a rear elevational view thereof;
FIG. 4 is a bottom plan view thereof, the top view being a mirror image;
FIG. 5 is a left side elevational view thereof; and
FIG. 6 is a right side elevational view thereof.



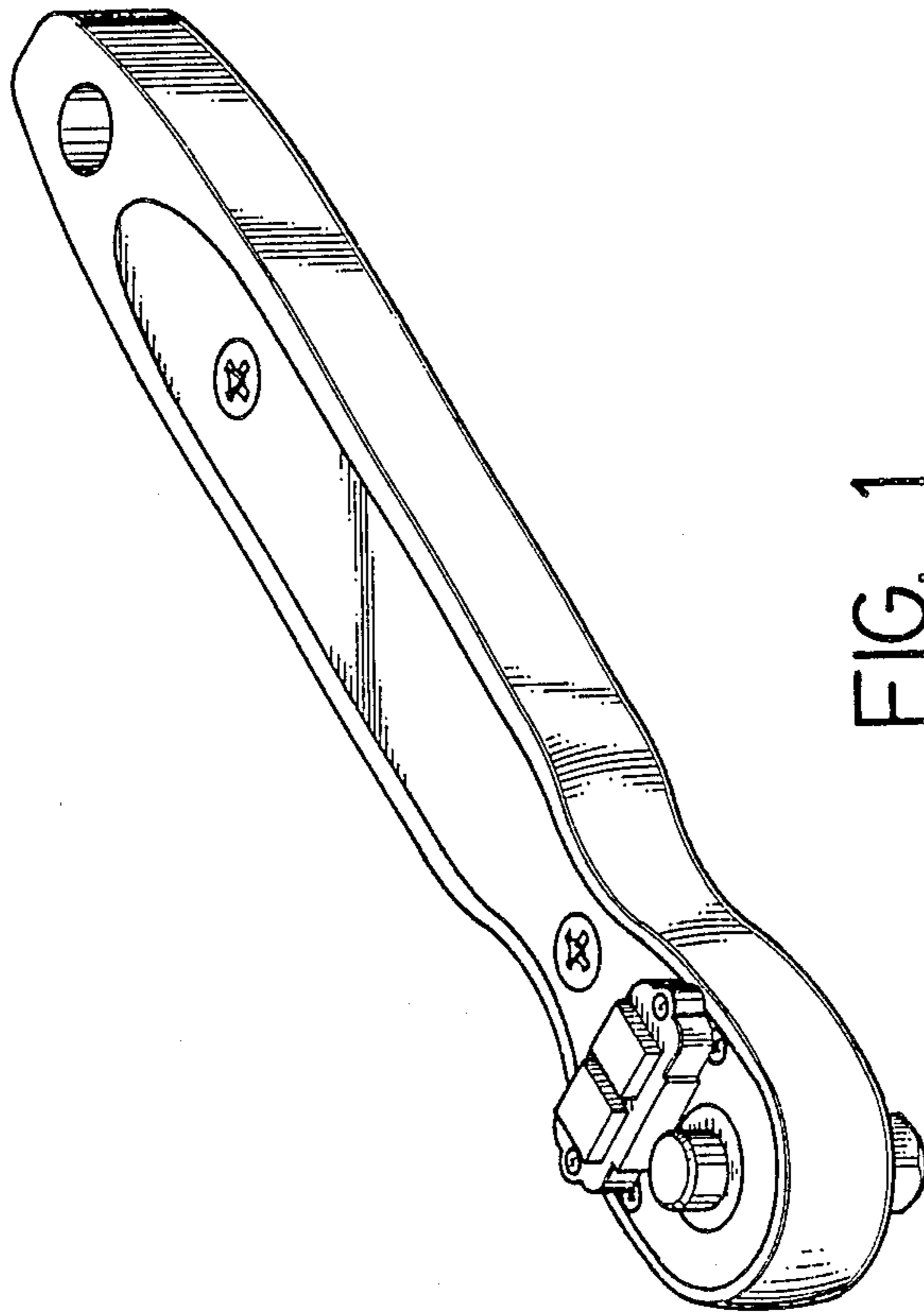


FIG. 1

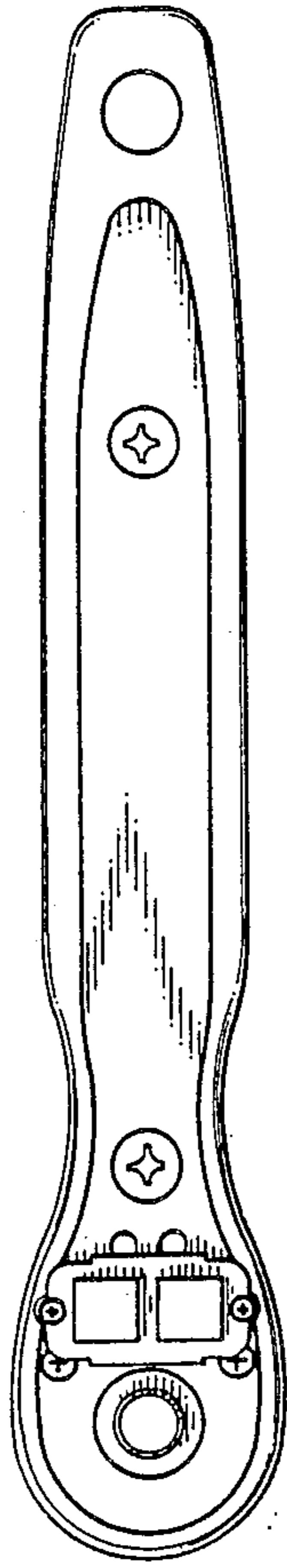


FIG. 2

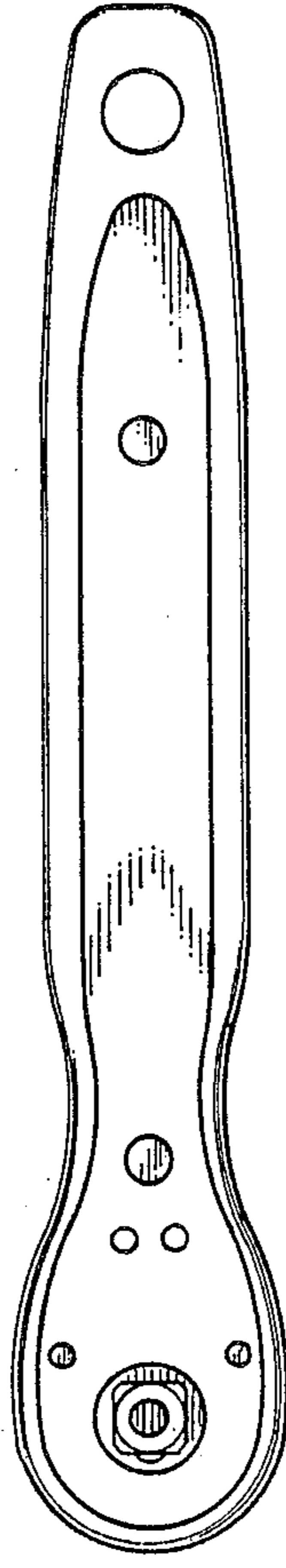


FIG. 3

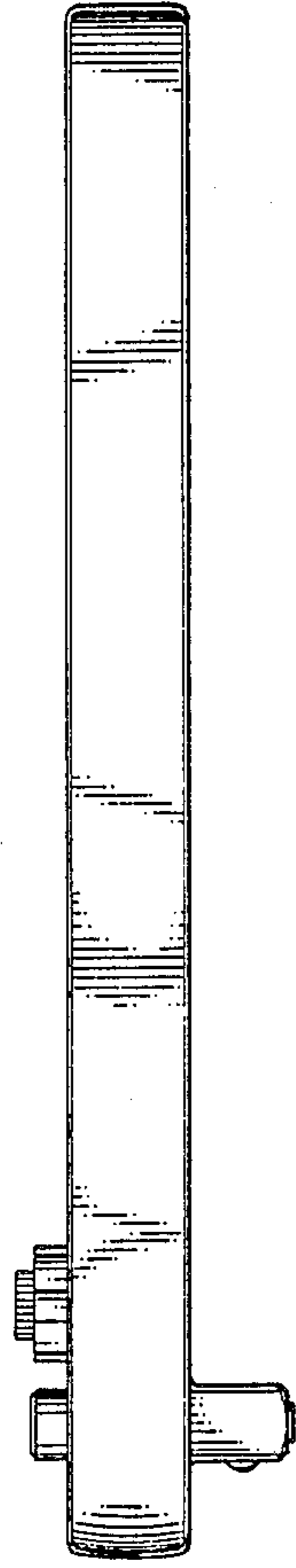


FIG. 4

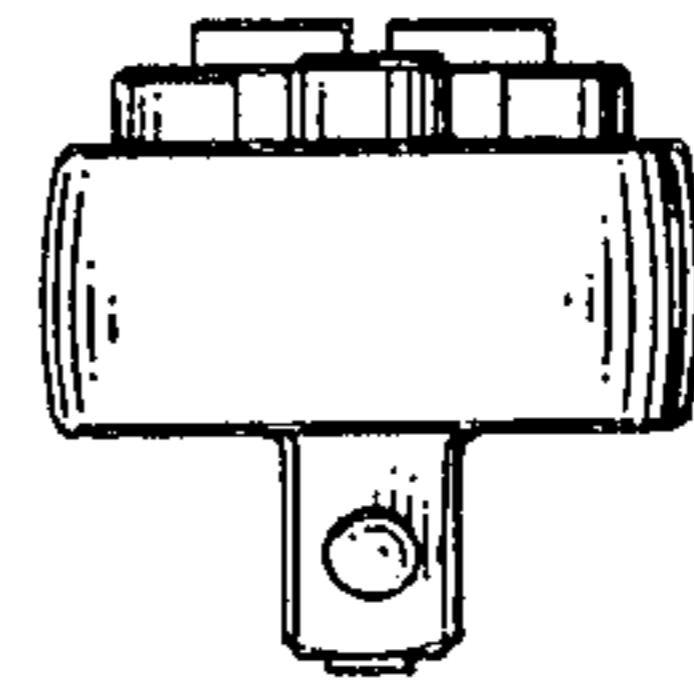


FIG. 5

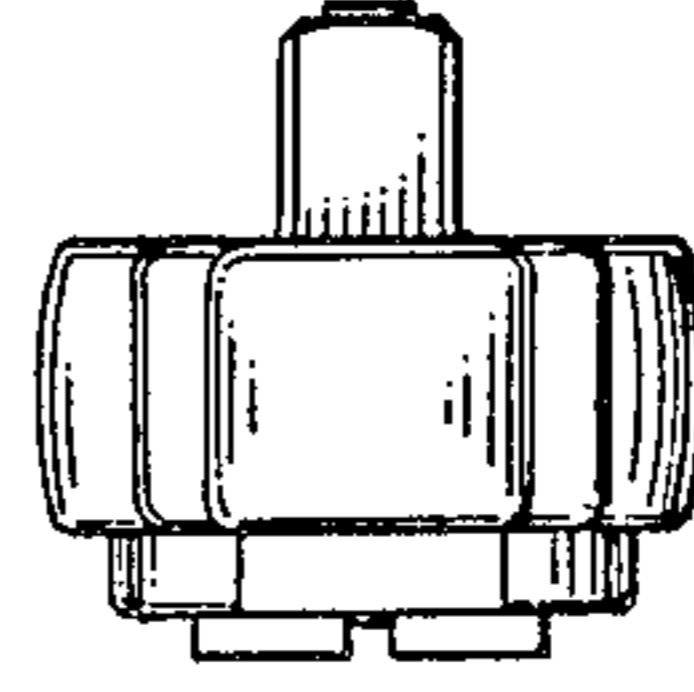


FIG. 6