

[54] HOOK FOR USE IN CONCRETE CONSTRUCTION

[76] Inventor: Lynn Metzger, 4680 Dungan Rd., Circleville, Ohio 43113

[**] Term: 14 Years

[21] Appl. No.: 740,002

[22] Filed: May 31, 1985

[52] U.S. Cl. D8/14; D8/107

[58] Field of Search D8/14, 88, 89, 107, D8/47; 29/270, 278; 81/119; 254/21, 25, 131; 294/26, 50.6, 50.7, 19.1, 3.6, 17, 26

[56] References Cited

U.S. PATENT DOCUMENTS

555,681	3/1896	Dalton	294/26
1,079,619	11/1913	Walton	294/50.6
1,350,123	8/1920	Theodore	294/19.1
2,194,336	3/1940	Tullio	294/50.6
2,860,001	11/1958	Garland	294/50.6
3,029,503	4/1962	Meyer	29/278 X
3,326,254	6/1967	Diehl	294/19.1
3,837,622	9/1974	Gale	254/131
4,023,844	5/1977	Roberts	294/26

FOREIGN PATENT DOCUMENTS

924438	3/1955	Fed. Rep. of Germany	254/21
7949	of 1897	United Kingdom	294/50.7

OTHER PUBLICATIONS

Snap-On Tools catalog "DA", May 1973, p. 196, item A-Pull Rod Set.

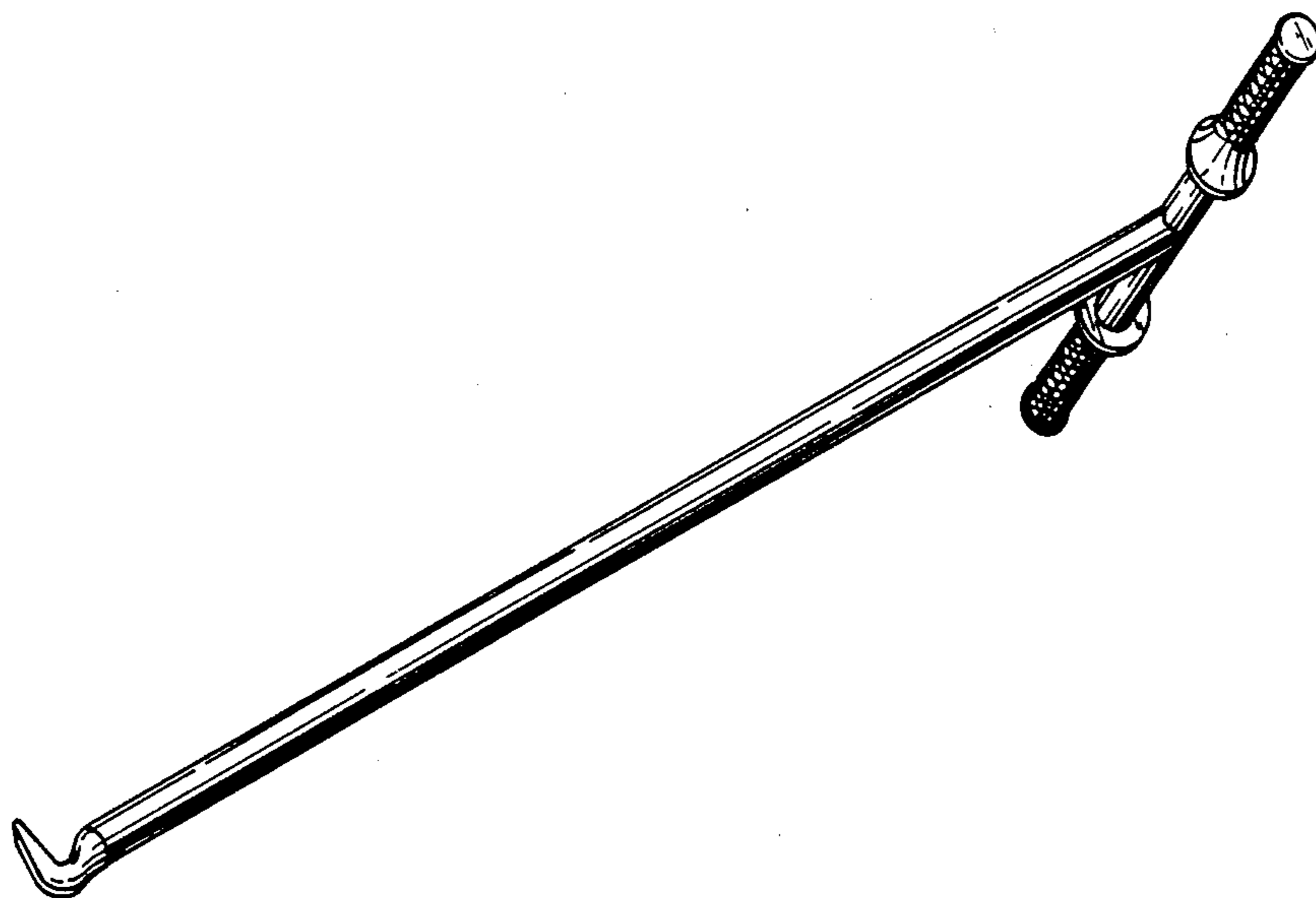
Primary Examiner—Bruce W. Dunkins
Assistant Examiner—Martha Thompson
Attorney, Agent, or Firm—Porter, Wright, Morris & Arthur

[57] CLAIM

The ornamental design for a hook for use in concrete construction, as shown and described.

DESCRIPTION

FIG. 1 is a front elevational view of the hook for use in concrete construction showing my new design, the shaft being shown broken way to depict indeterminate length;
FIG. 2 is a side elevational view thereof, the opposite side being a mirror image;
FIG. 3 is an enlarged fragmentary side elevational view of the hook portion of my design; and
FIG. 4 is a rear perspective view of FIG. 1.



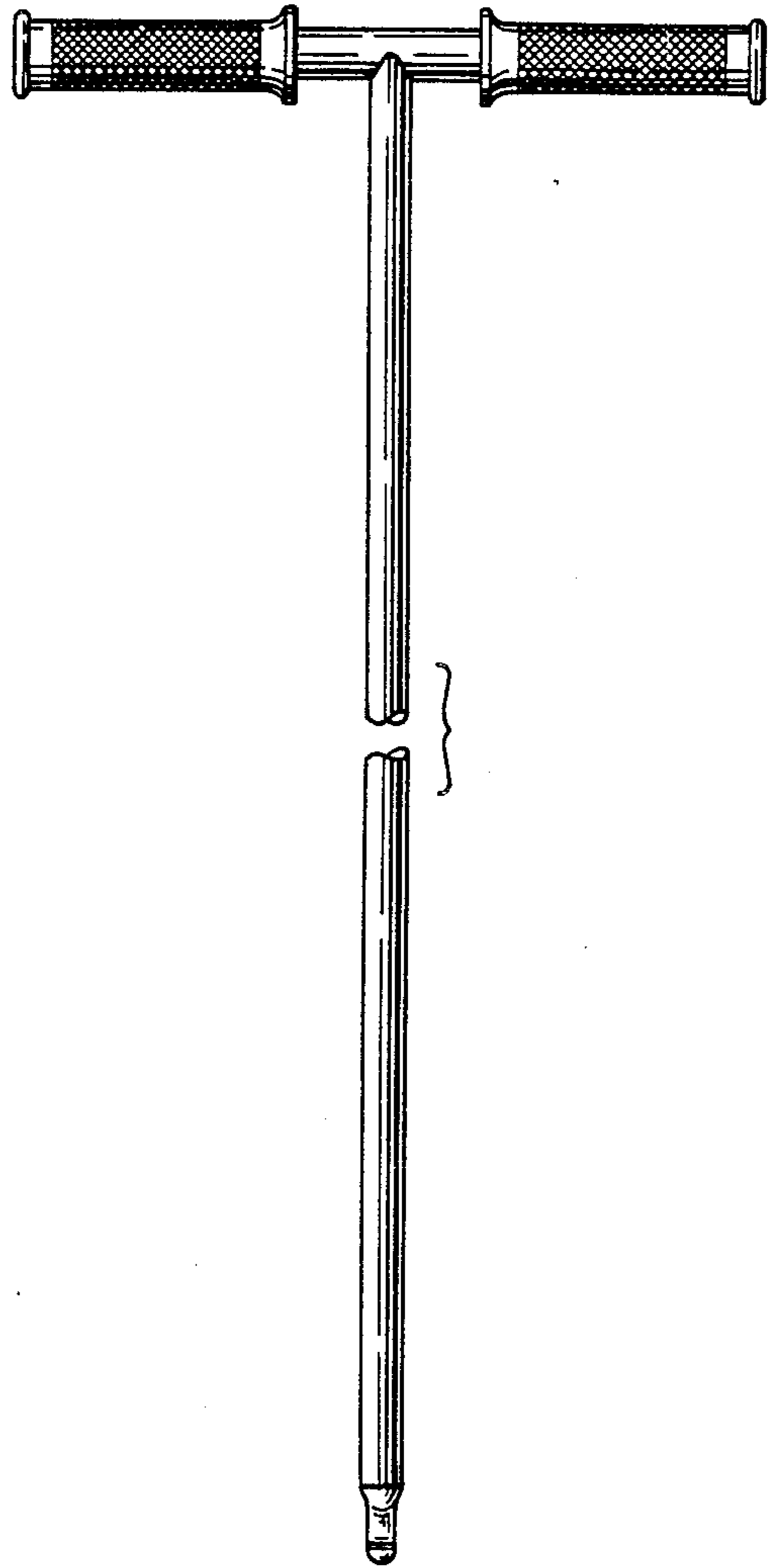


FIG. 1

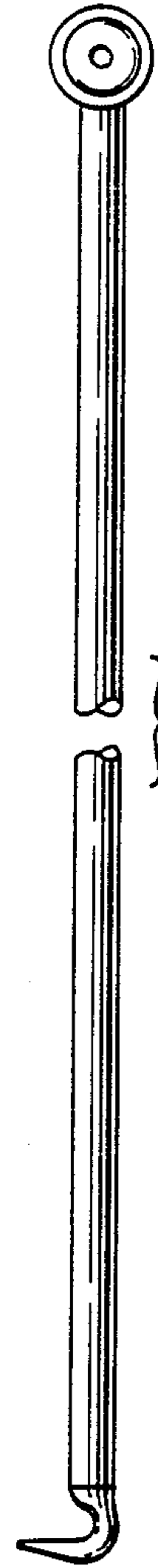


FIG. 2

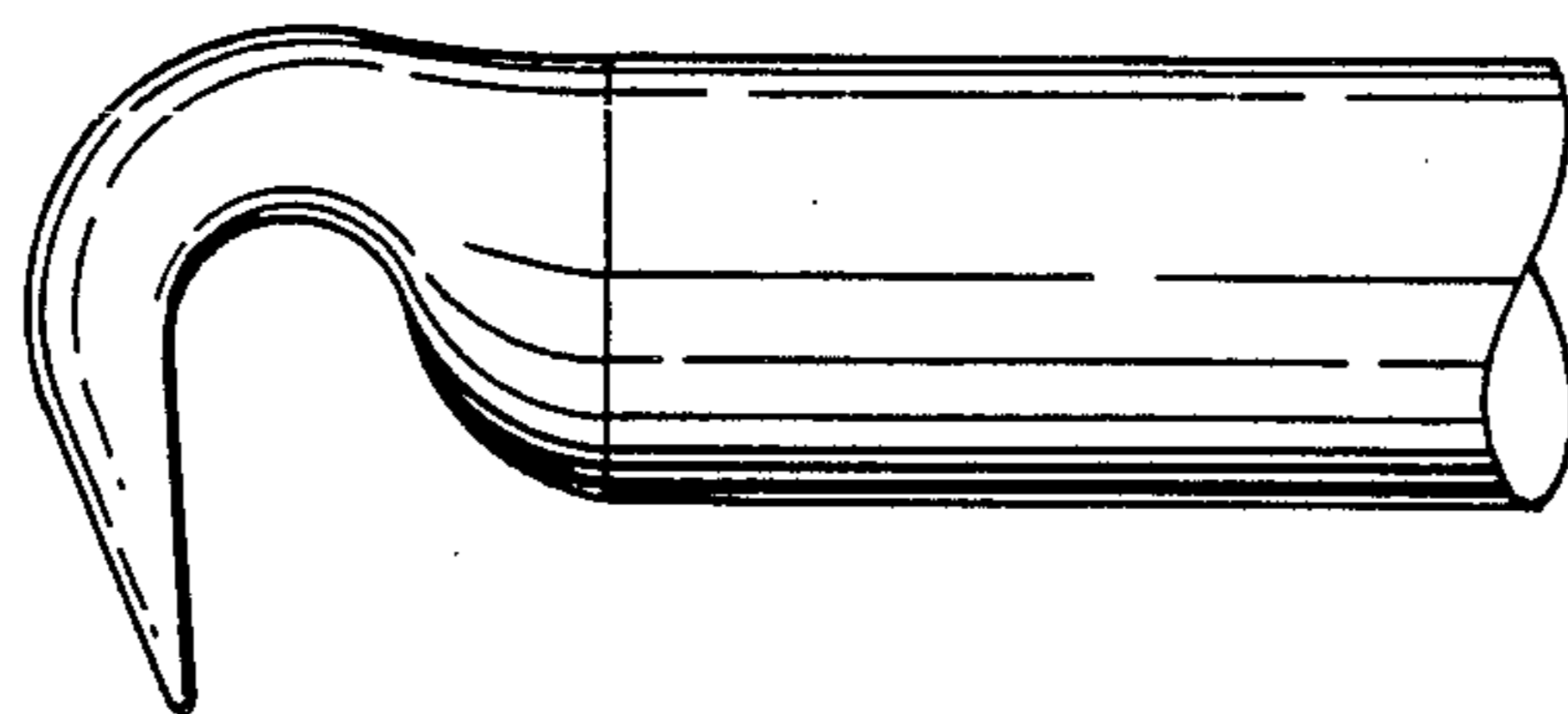


FIG. 3

FIG. 4

