

[54] **ADJUSTABLE RAKE HEAD**

[75] Inventor: **Franco Clivio**, Zürich, Switzerland

[73] Assignee: **Gardena Kress & Kastner GmbH**,  
Fed. Rep. of Germany

[\*\*] Term: **14 Years**

[21] Appl. No.: **315,700**

[22] Filed: **Feb. 27, 1989**

[30] **Foreign Application Priority Data**

Aug. 26, 1988 [DE] Fed. Rep. of Germany ..... M  
8801176.3

[52] **U.S. Cl.** ..... **D8/13**

[58] **Field of Search** ..... **D8/1, 6, 13; 56/400.01,**  
**56/400.04, 400.17-400.19**

[56] **References Cited**

**U.S. PATENT DOCUMENTS**

D. 279,349 6/1985 Clivio et al. .... D8/13

D. 282,900 3/1986 Salvato ..... D8/13

D. 293,196 12/1987 Germain et al. .... D8/13

D. 298,907 12/1988 Bonnes ..... D8/13

2,497,192 2/1950 Thayer ..... 56/400.17

4,162,132 7/1979 Kress et al. .... D8/1 X

4,744,208 5/1988 King ..... 56/400.16

**FOREIGN PATENT DOCUMENTS**

8010876 7/1980 Fed. Rep. of Germany .

7517467 10/1984 Fed. Rep. of Germany .

*Primary Examiner*—James M. Gandy  
*Assistant Examiner*—Brian N. Vinson  
*Attorney, Agent, or Firm*—Eckert Seamans Cherin &  
Mellott

[57] **CLAIM**

The ornamental design for an adjustable rake head, as shown and described.

**DESCRIPTION**

FIG. 1 is a top and front perspective view of an adjustable rake head showing my new design;  
FIG. 2 is a right side elevational view thereof;  
FIG. 3 is a top plan view thereof;  
FIG. 4 is a front elevational view thereof;  
FIG. 5 is a rear elevational view thereof;  
FIG. 6 is a left side elevational view thereof; and  
FIG. 7 is a bottom plan view thereof.

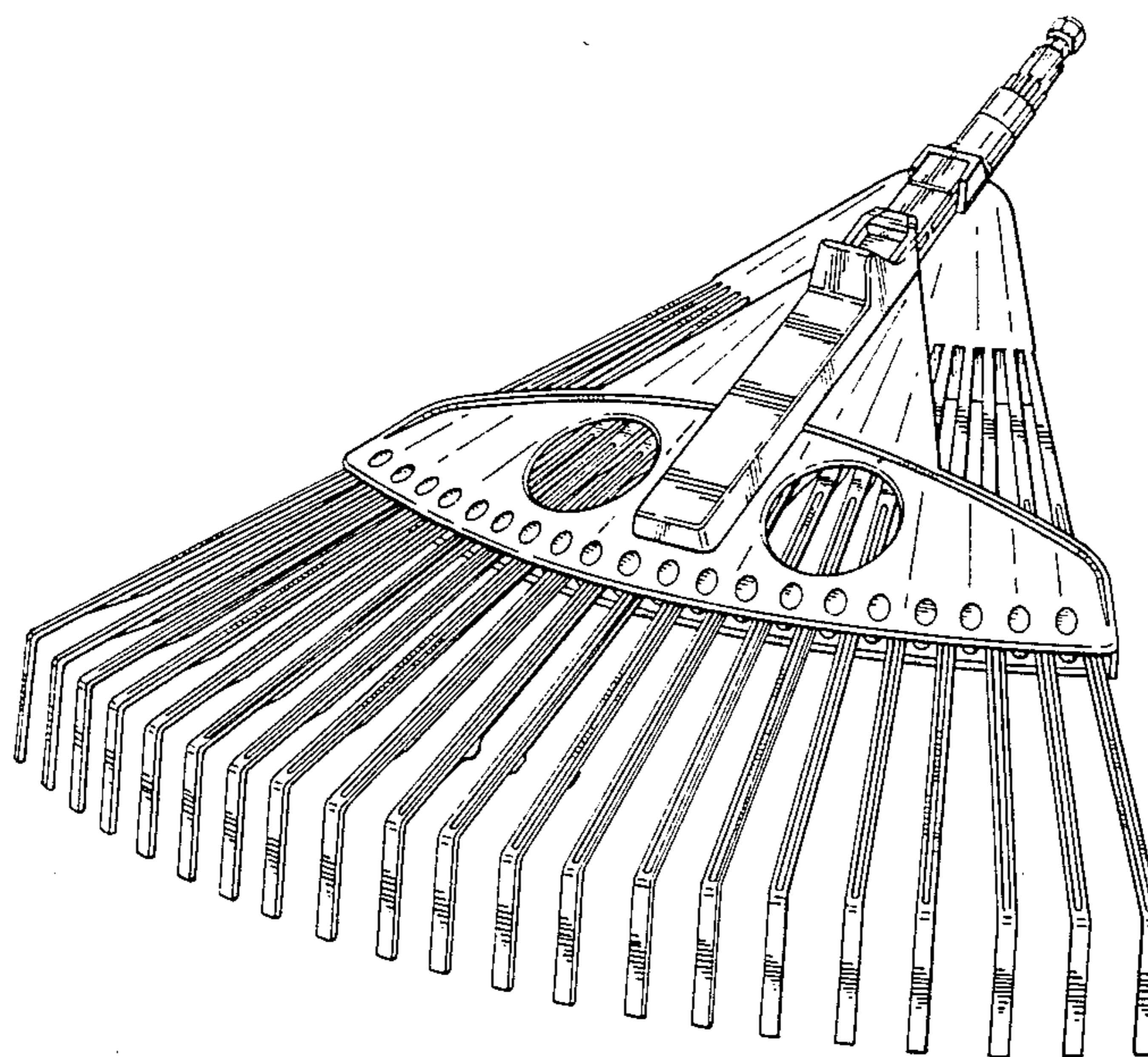


FIG. 1

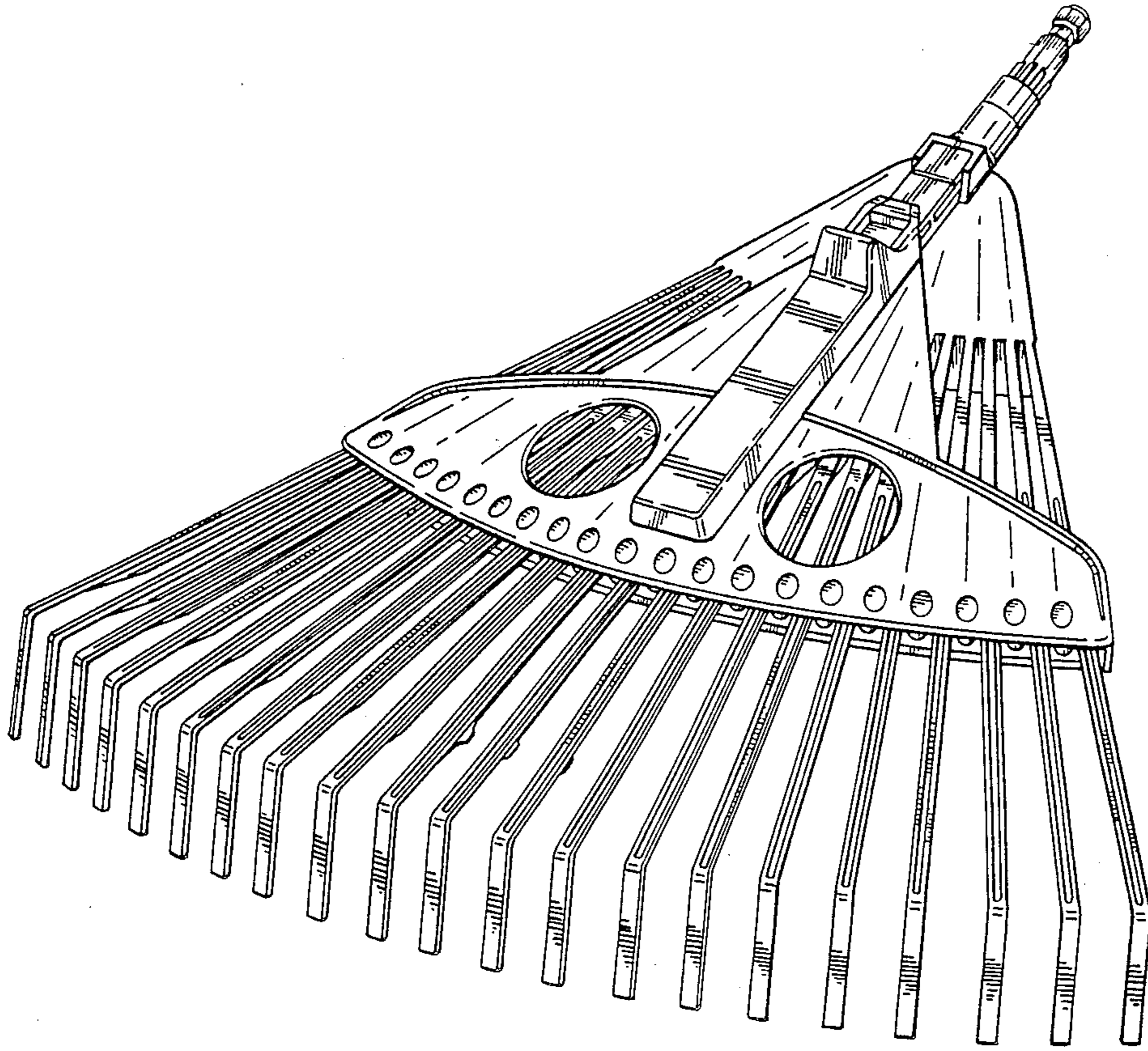


FIG. 2

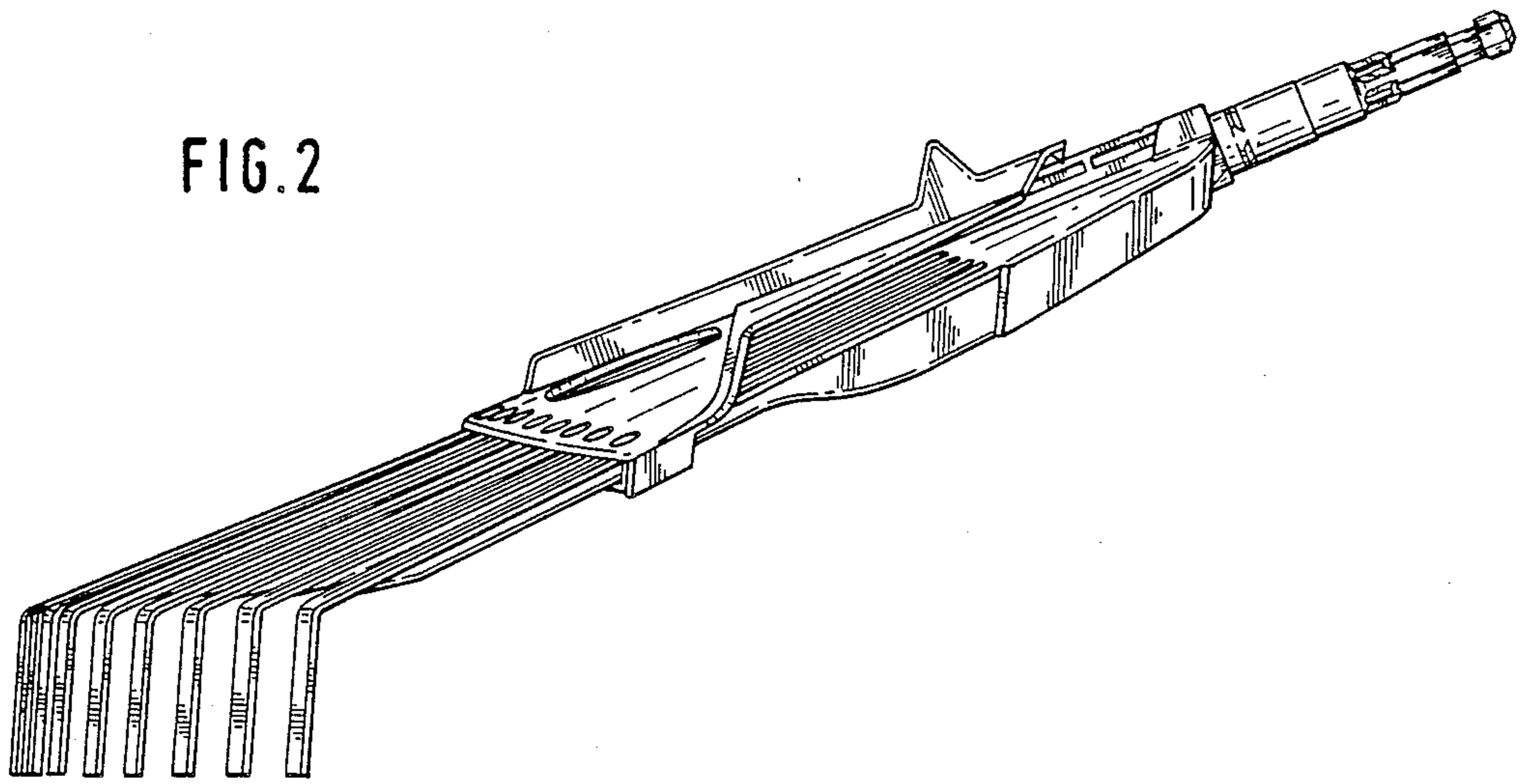


FIG. 3

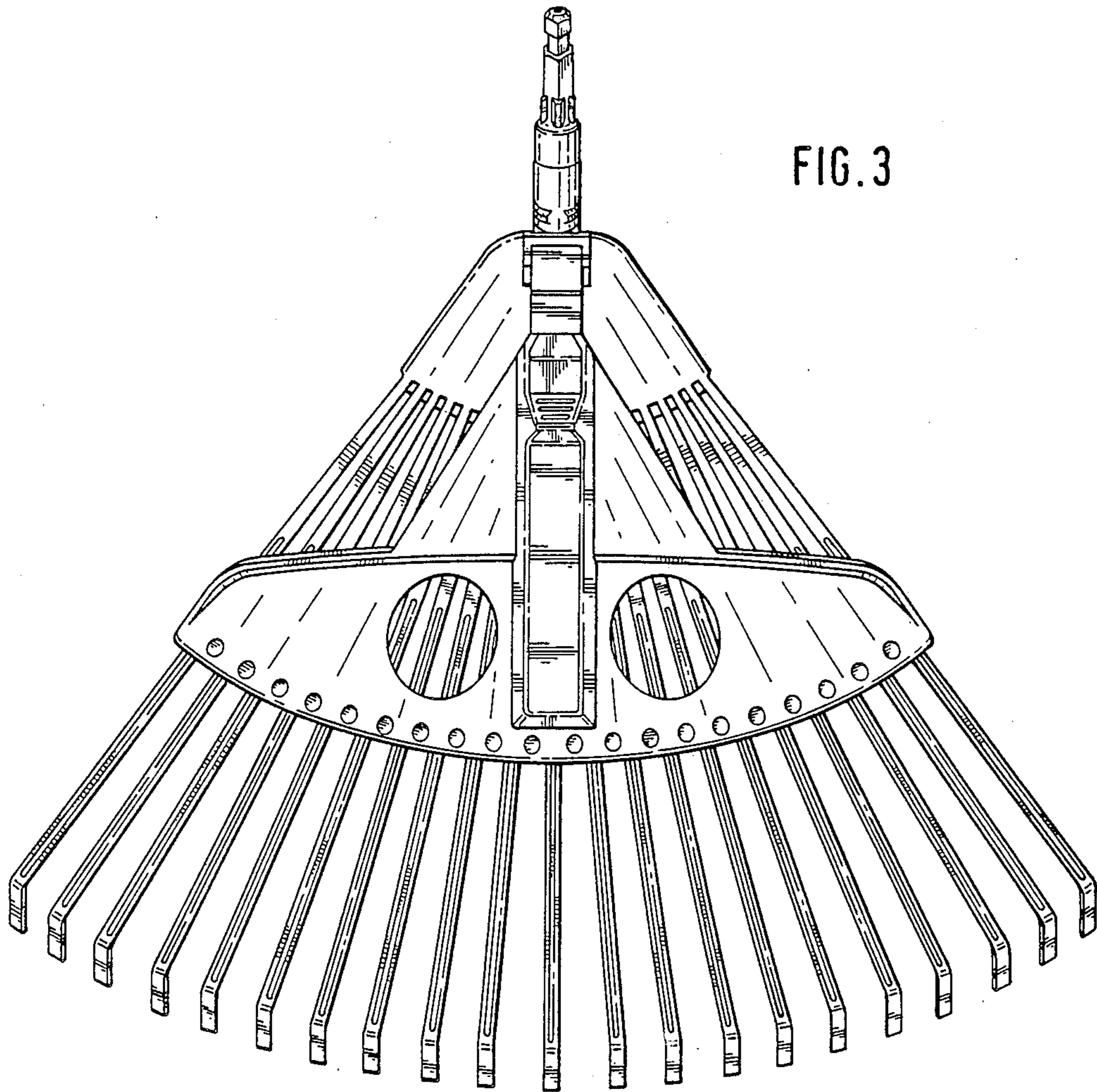


FIG. 4

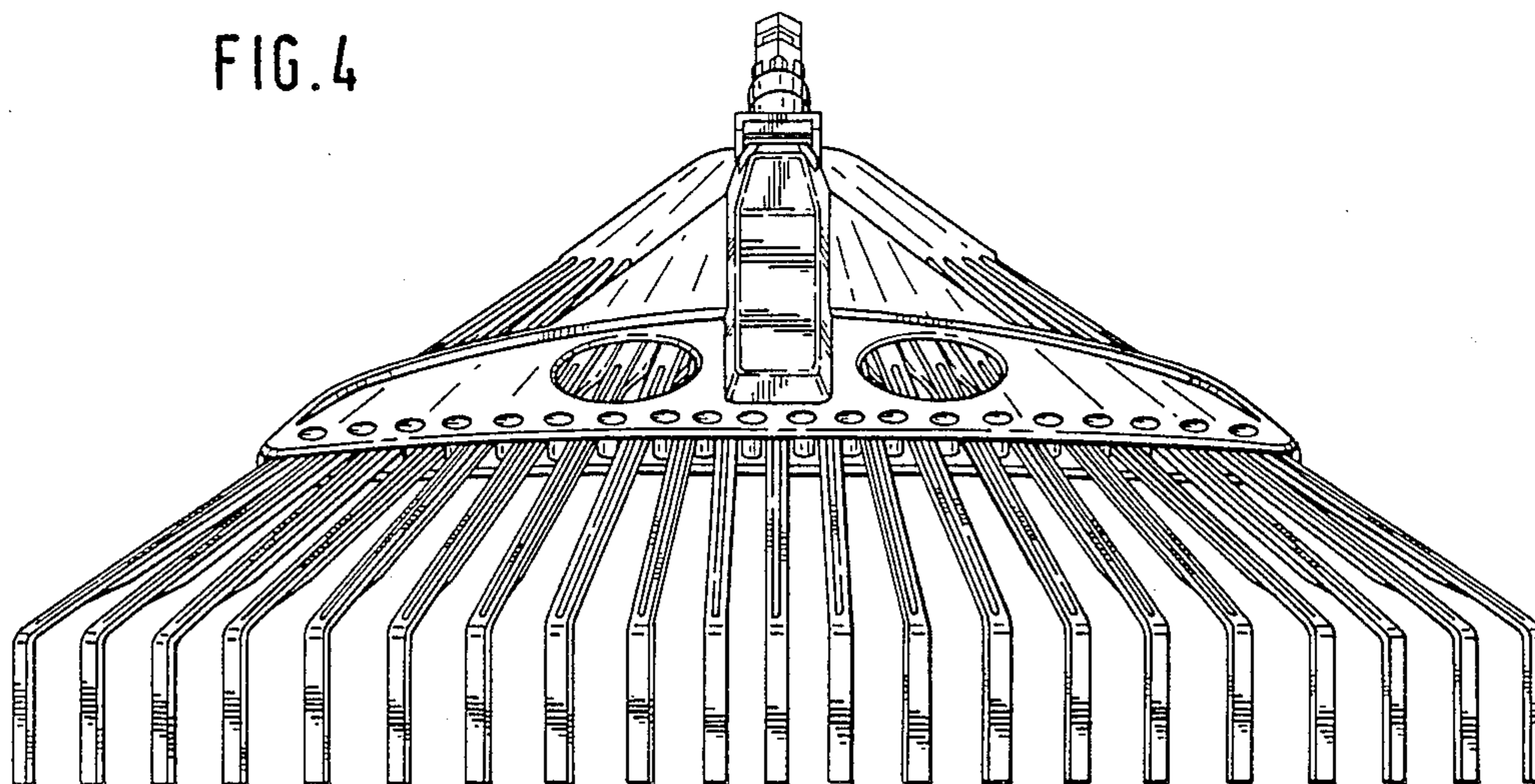
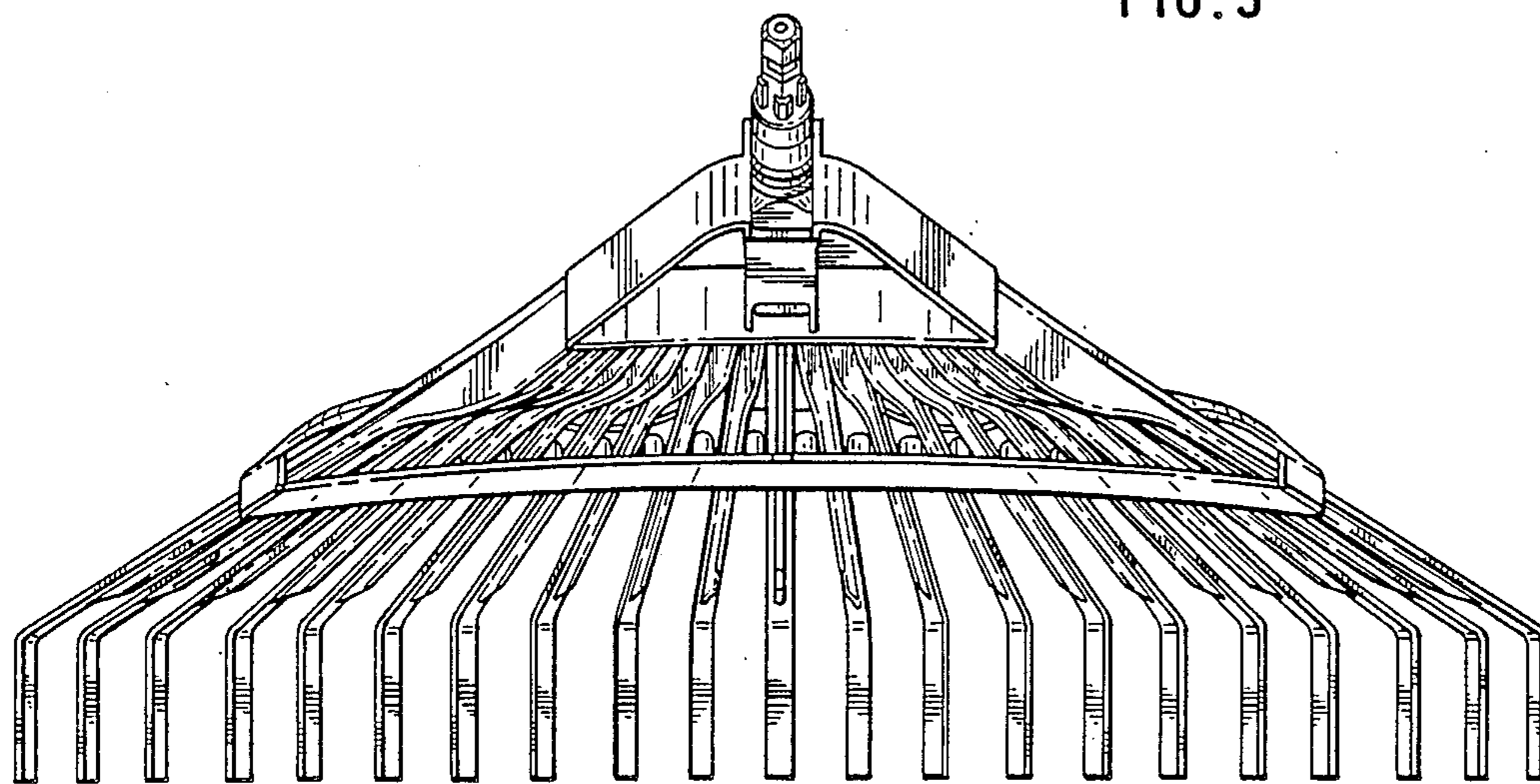


FIG. 5



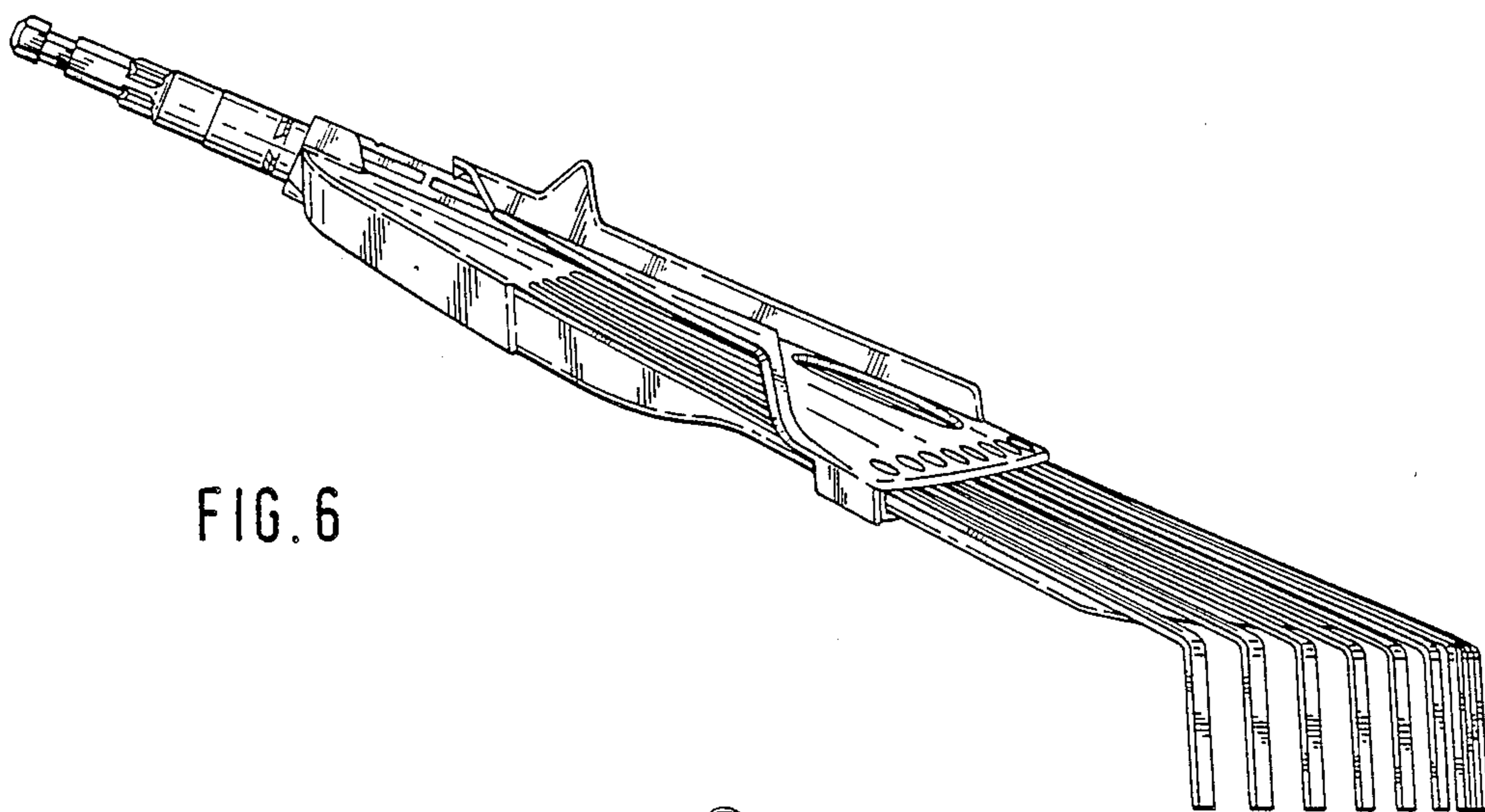


FIG. 6

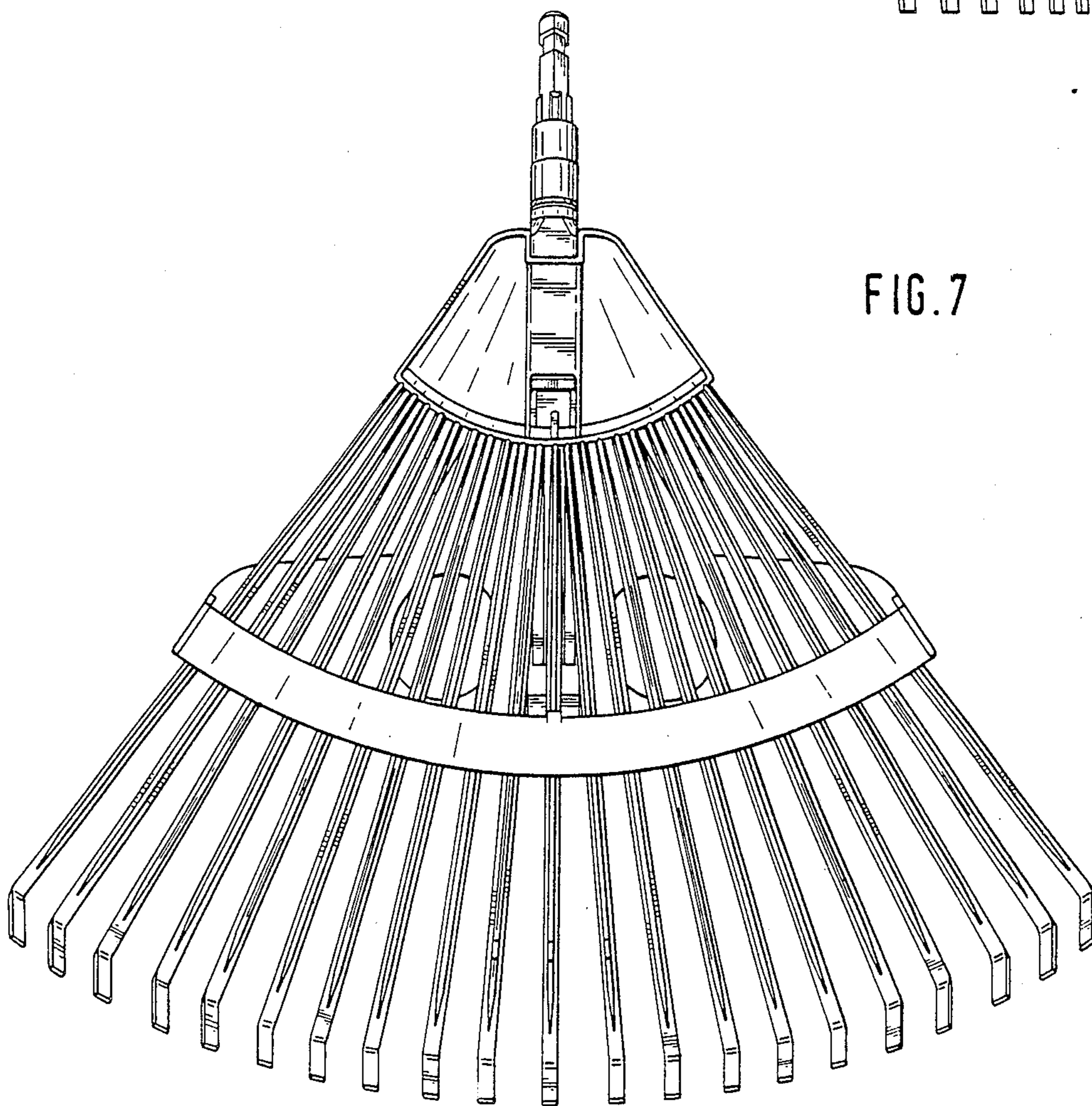


FIG. 7