

[54] KITCHEN UTENSIL OR THE LIKE

[75] Inventors: Victor J. J. Cautereels, Borsbeek; Pieter K. J. DeCoster, Aalst; Robert H. C. M. Daenen, Erembodegem, all of Belgium

[73] Assignee: Dart Industries Inc., Deerfield, Ill.

[\*\*] Term: 14 Years

[21] Appl. No.: 206,166

[22] Filed: Jun. 10, 1988

[52] U.S. Cl. .... D7/683

[58] Field of Search ..... D7/99-106, D7/142, 140; 30/324-328, 142, 322-323, 147-148, 137; 294/61, 55.5

[56] References Cited

U.S. PATENT DOCUMENTS

237,449	11/1975	Montesi .	
D. 265,623	8/1982	Seibel .....	D7/106
268,243	3/1983	Morin .	
D. 301,533	6/1989	Zimmerman .....	D7/104
885,444	4/1908	Cram .	
3,596,965	8/1971	Woofter .	

OTHER PUBLICATIONS

Housewares, 4/1/87, p. 42, Handle Kitchen Utensil. Hong Kong Enterprise, 5/82, p. 1, Handle Kitchen Utensil.

Ingrid, Ltd. Catalog, Jan. 9, 1978 p. 94, Kitchen Utensils.

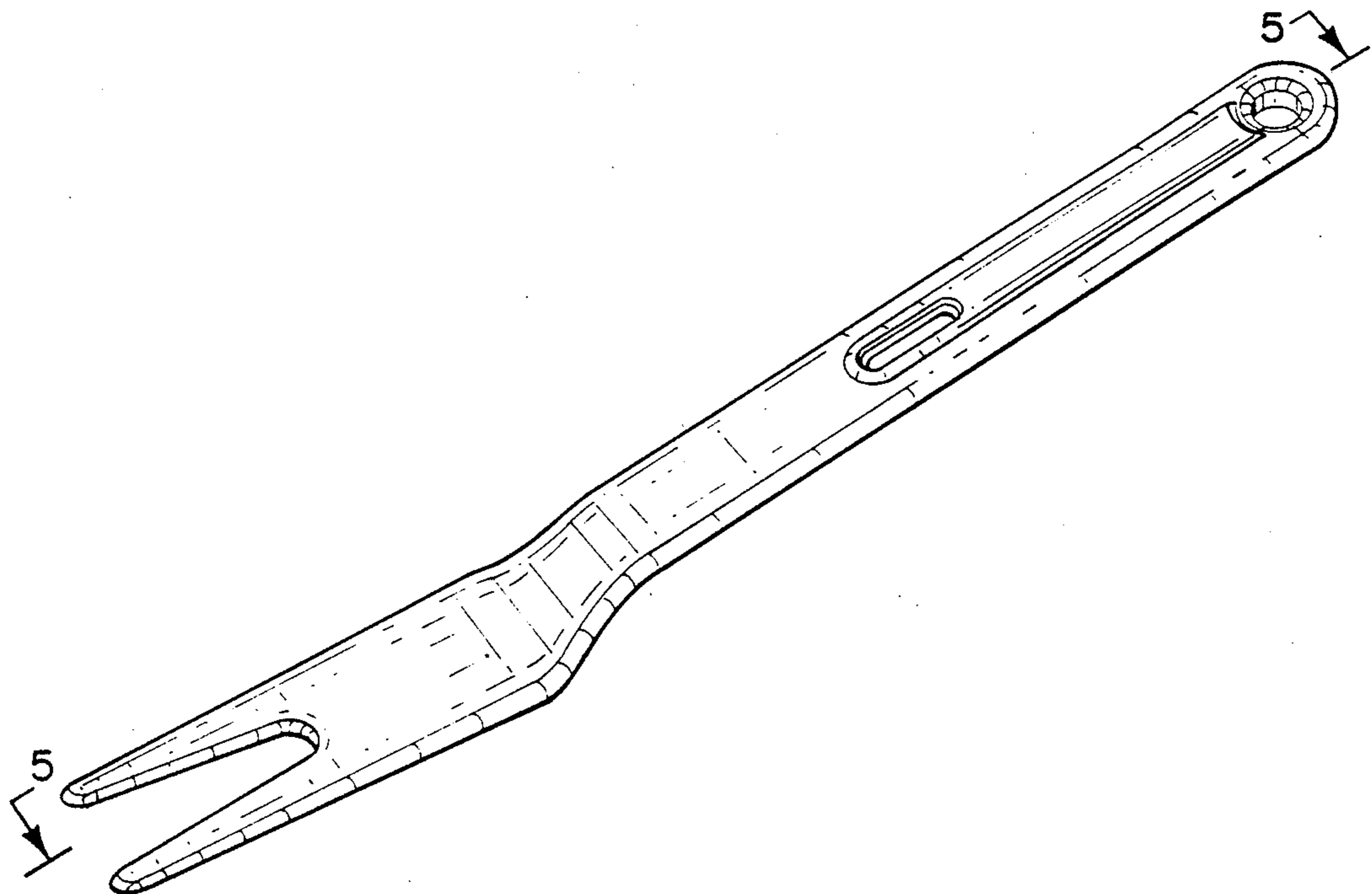
Primary Examiner—Bernard Ansher  
Assistant Examiner—Terry A. Pfeffer  
Attorney, Agent, or Firm—John A. Doninger

[57] CLAIM

The ornamental design for a kitchen utensil or the like, as shown.

DESCRIPTION

FIG. 1 is a top perspective view of a kitchen utensil or the like showing our new design; FIG. 2 is a top plan view thereof; FIG. 3 is a bottom plan view thereof; FIG. 4 is a side elevational view thereof; FIG. 5 is a cross-sectional view taken along line 5—5 of FIG. 1; FIG. 6 is a cross-sectional view taken along line 6—6 of FIG. 2;



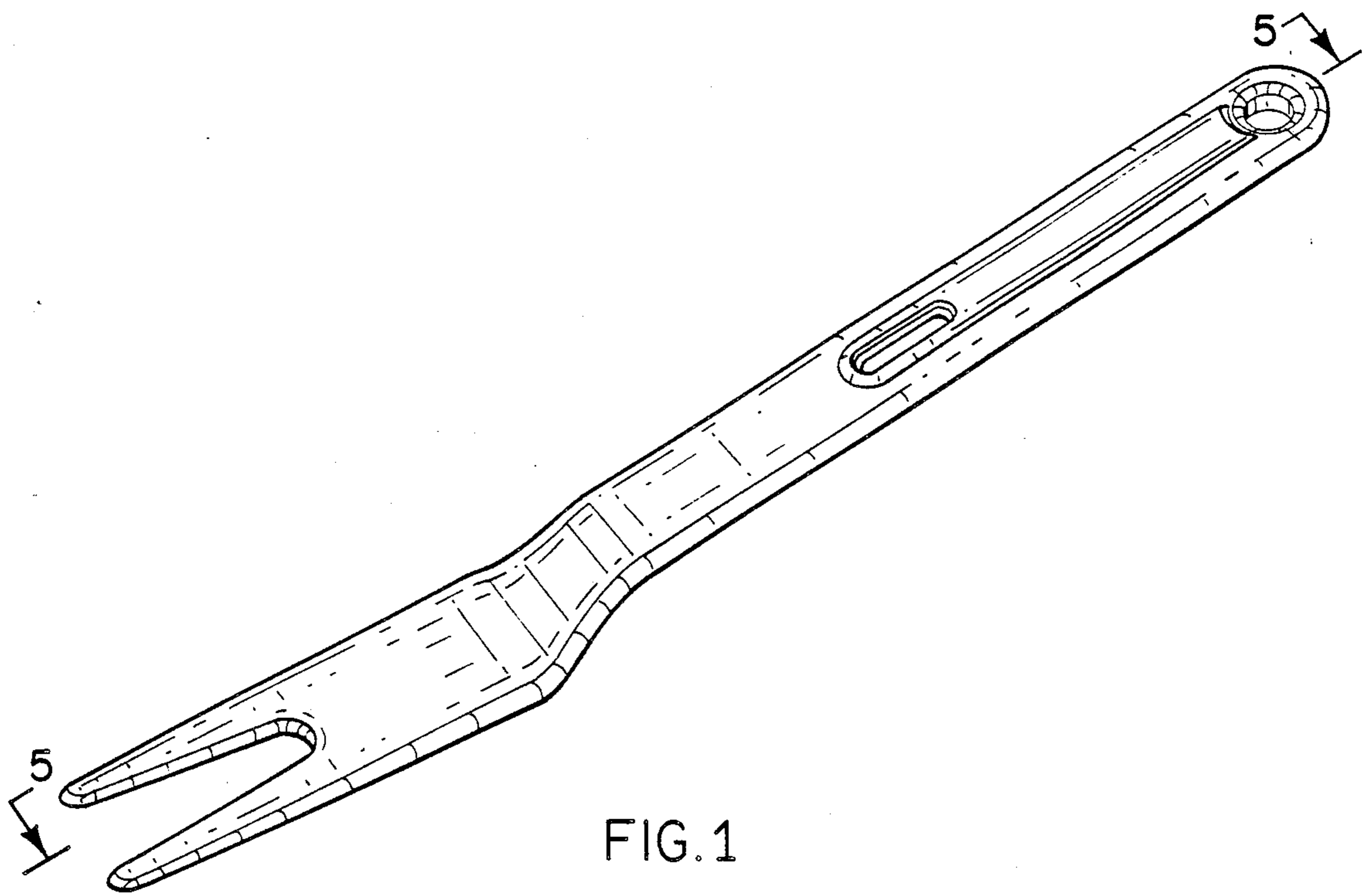


FIG. 1

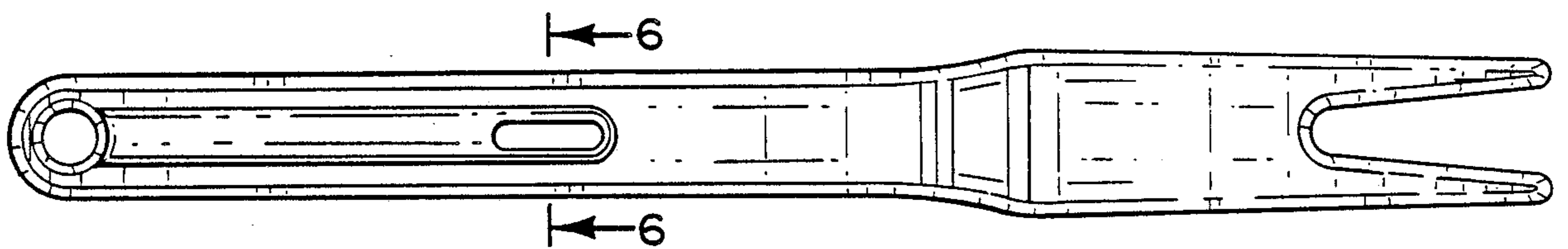


FIG. 2

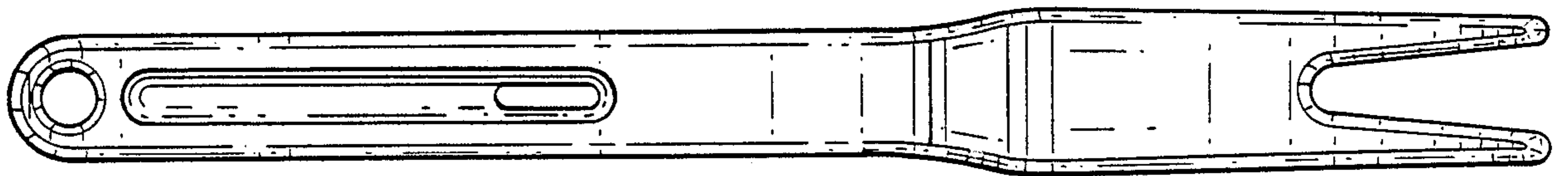


FIG. 3

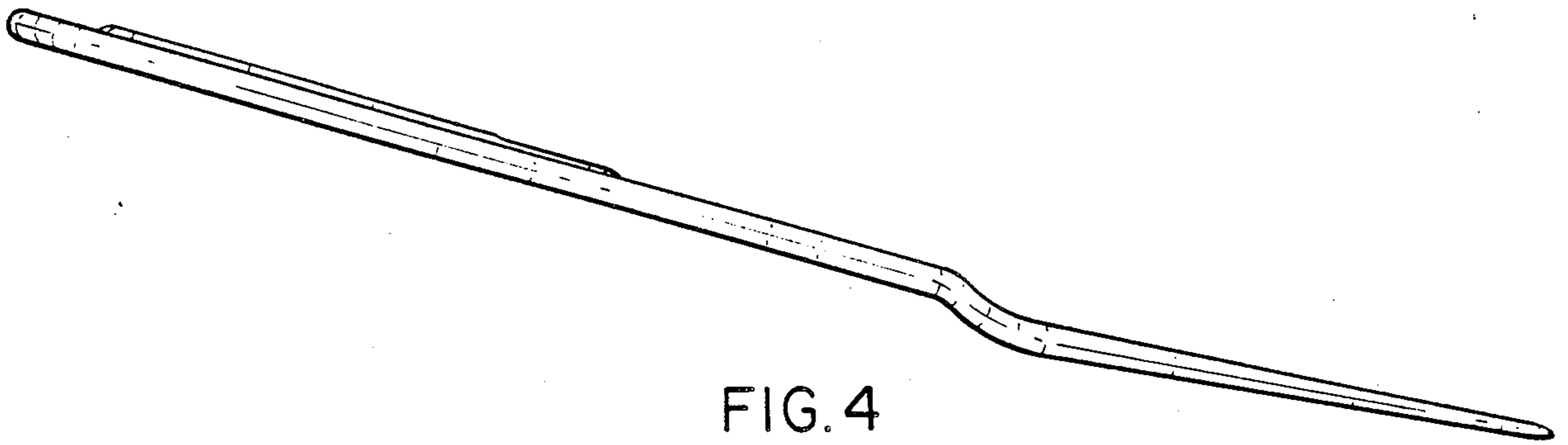


FIG. 4

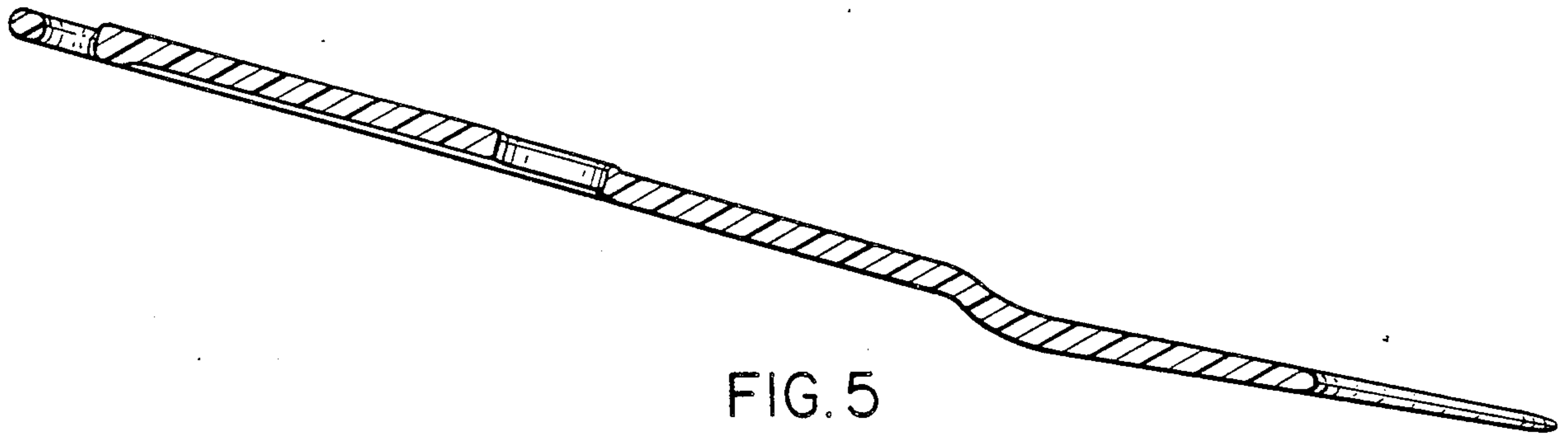


FIG. 5



FIG. 6