

[54] **FOOD SLICER**

[75] **Inventors:** Galina Melamenchuk, 3 Goldfinch Crescent, Suite 1001, Willowdale, Ontario, Canada, M2R 2C1; Paul T. Arato, Willowdale; F. William Coffman, Toronto, both of Canada

[73] **Assignee:** Galina Melamenchuk, Toronto, Canada

[**] **Term:** 14 Years

[21] **Appl. No.:** 265,721

[22] **Filed:** Oct. 28, 1988

[52] **U.S. Cl.** D7/673

[58] **Field of Search** D7/672-677, D7/698, 381; 30/114, 117, 115-116; 269/302.1

[56]

References Cited

U.S. PATENT DOCUMENTS

D. 266,281 9/1982 Ellis et al. D7/698 X
2,343,448 3/1944 Fay D7/381 X

Primary Examiner—Bernard Ansher
Assistant Examiner—Terry A. Pfeffer
Attorney, Agent, or Firm—Rogers, Bereskin & Parr

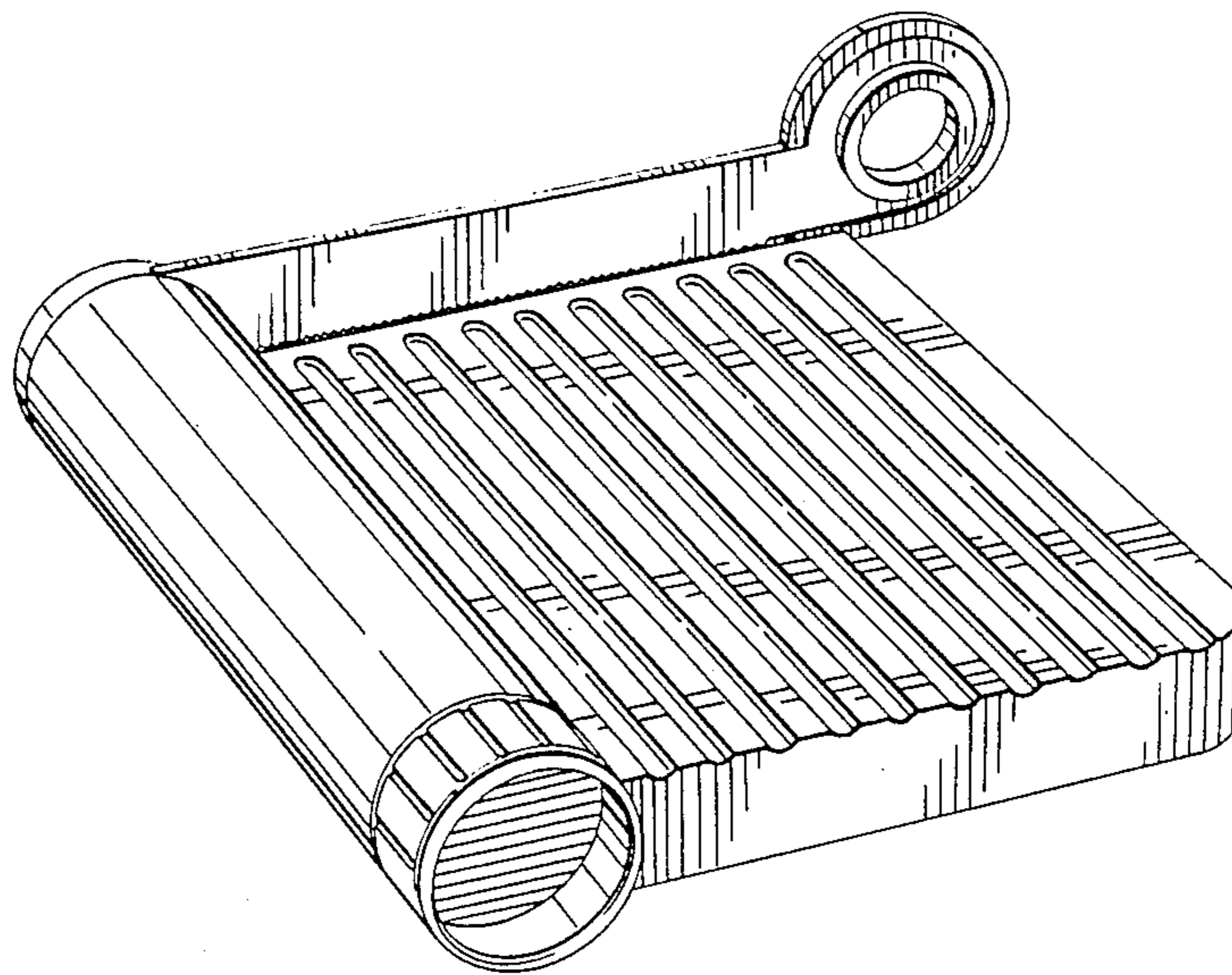
[57]

CLAIM

The ornamental design for a food slicer, as shown and described.

DESCRIPTION

FIG. 1 is a rear perspective view of a food slicer showing our new design;
FIG. 2 is a front perspective view thereof;
FIG. 3 is a front elevational view thereof; and
FIG. 4 is a left side elevational view thereof.
The undisclosed bottom view is plane and unornamented.



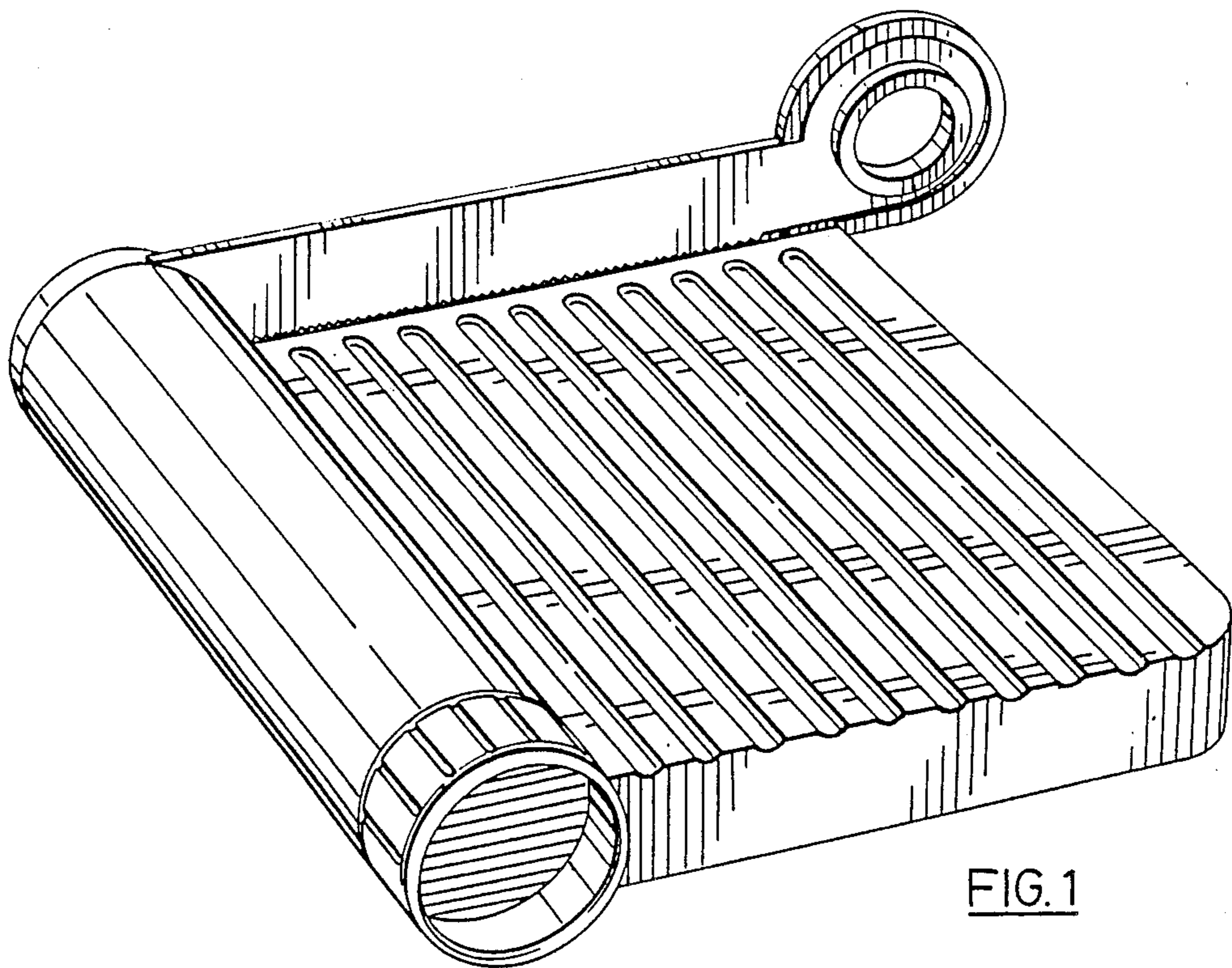


FIG. 1

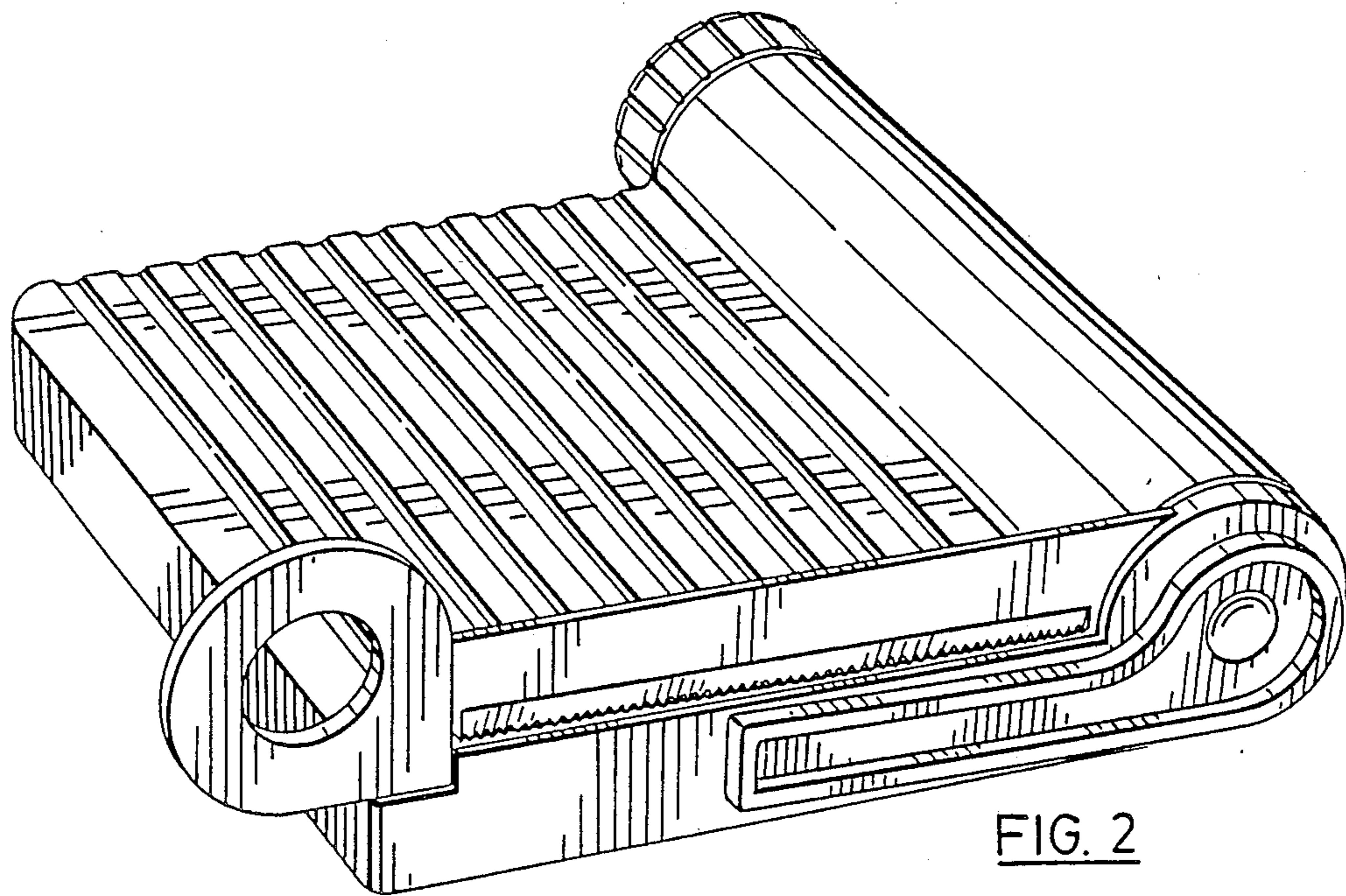


FIG. 2

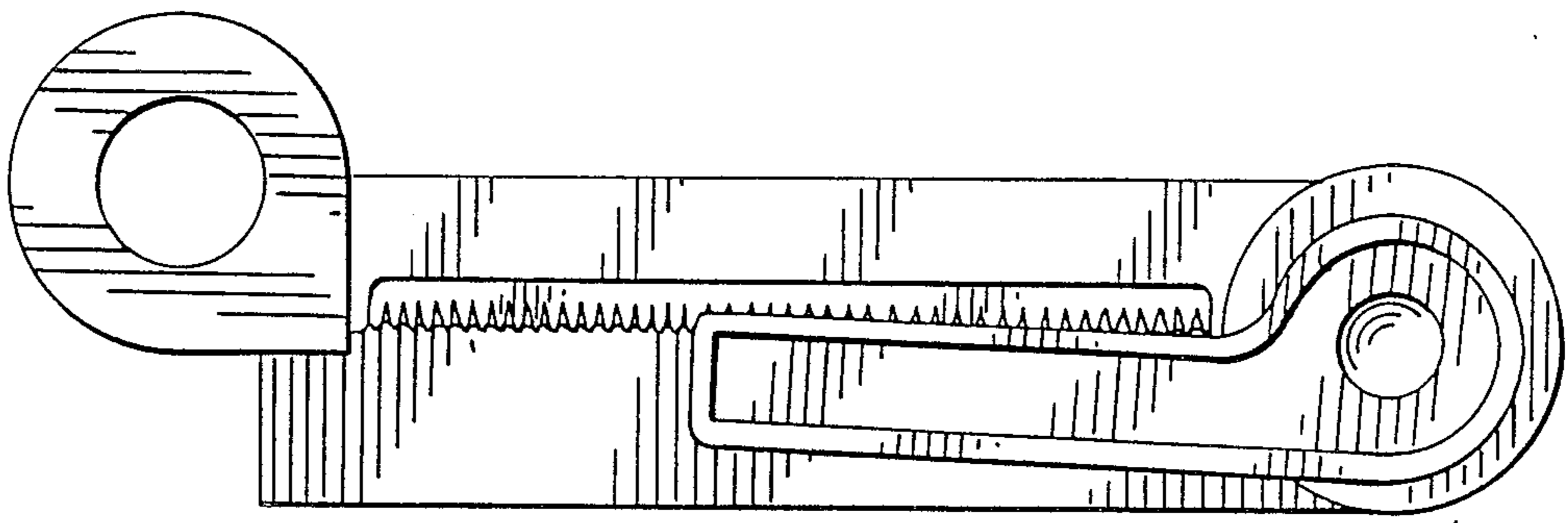


FIG. 3

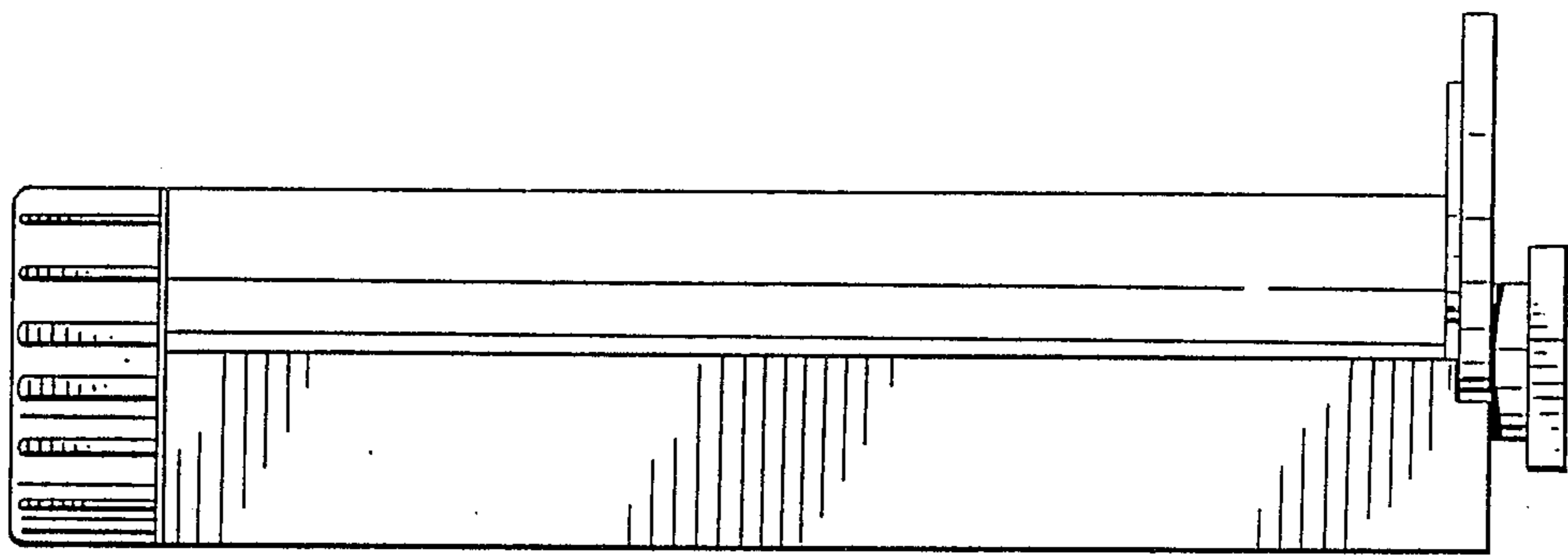


FIG. 4