

[54] DOUGH CUTTER OR THE LIKE

[57] CLAIM

[76] Inventor: Dalminder S. Virk, 2826 Neyland Road, Nanaimo, B.C., Canada, V9T 4J5

The ornamental design for dough cutter or the like, as shown and described.

[**] Term: 14 Years

DESCRIPTION

[21] Appl. No.: 288,115

FIG. 1 is a top plan view of the dough cutter or the like showing my new design;

[22] Filed: Dec. 22, 1988

FIG. 2 is a bottom plan view thereof;

[52] U.S. Cl. D7/672

FIG. 3 is a frontal elevational view thereof, all other sides being a mirror image;

[58] Field of Search D7/672-677; 30/301-303, 305, 314-316; 99/450.2; 83/691; 425/298, 299

FIG. 4 is a cross-sectional view taken along line 4-4 of FIG. 1;

FIG. 5 is a cross-sectional view taken along line 5-5 of FIG. 1;

[56] References Cited

U.S. PATENT DOCUMENTS

4,697,345 10/1987 Cruce 30/315

FIG. 6 is a top plan view of a second embodiment of that shown in FIG. 1;

FIG. 7 is a bottom plan view thereof;

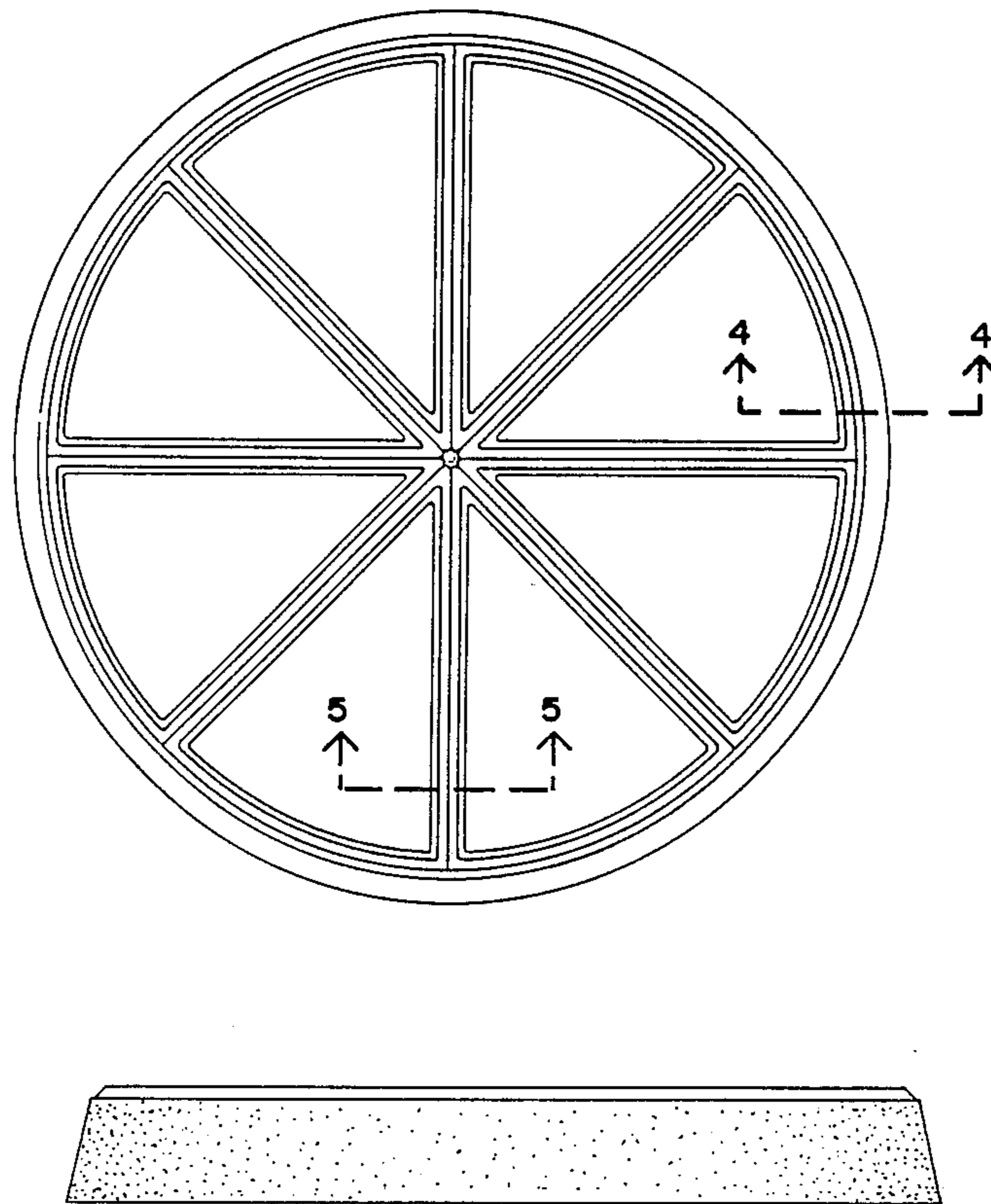
FIG. 8 is a front elevational view thereof, all other sides being a mirror image;

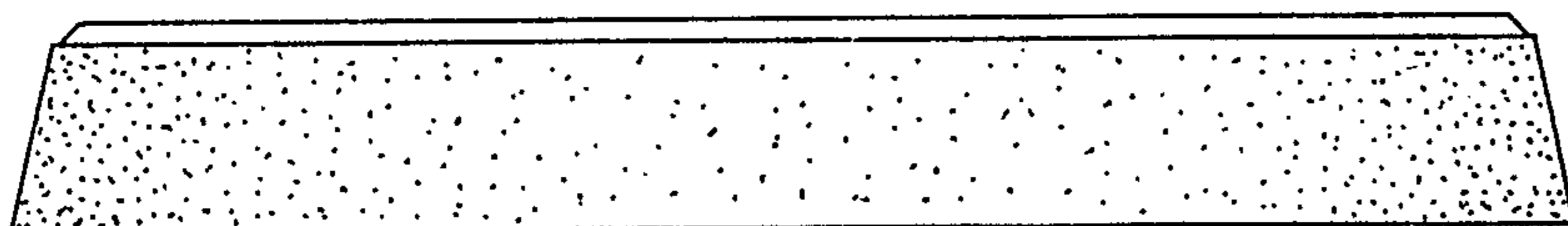
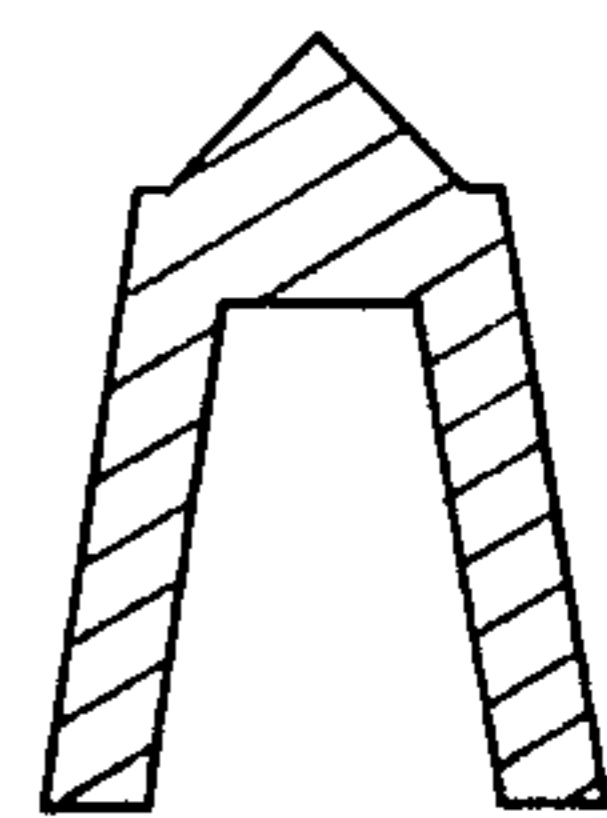
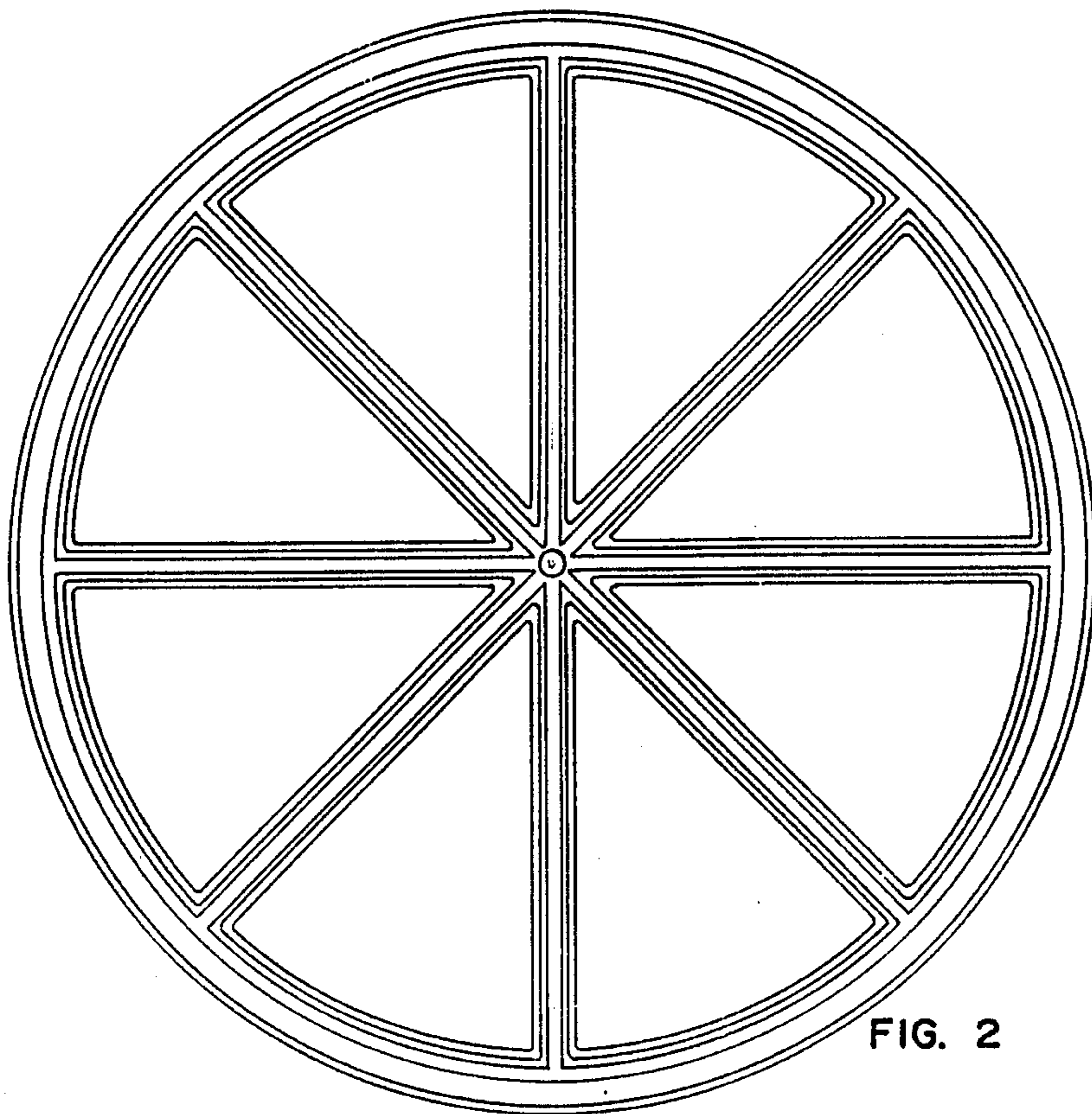
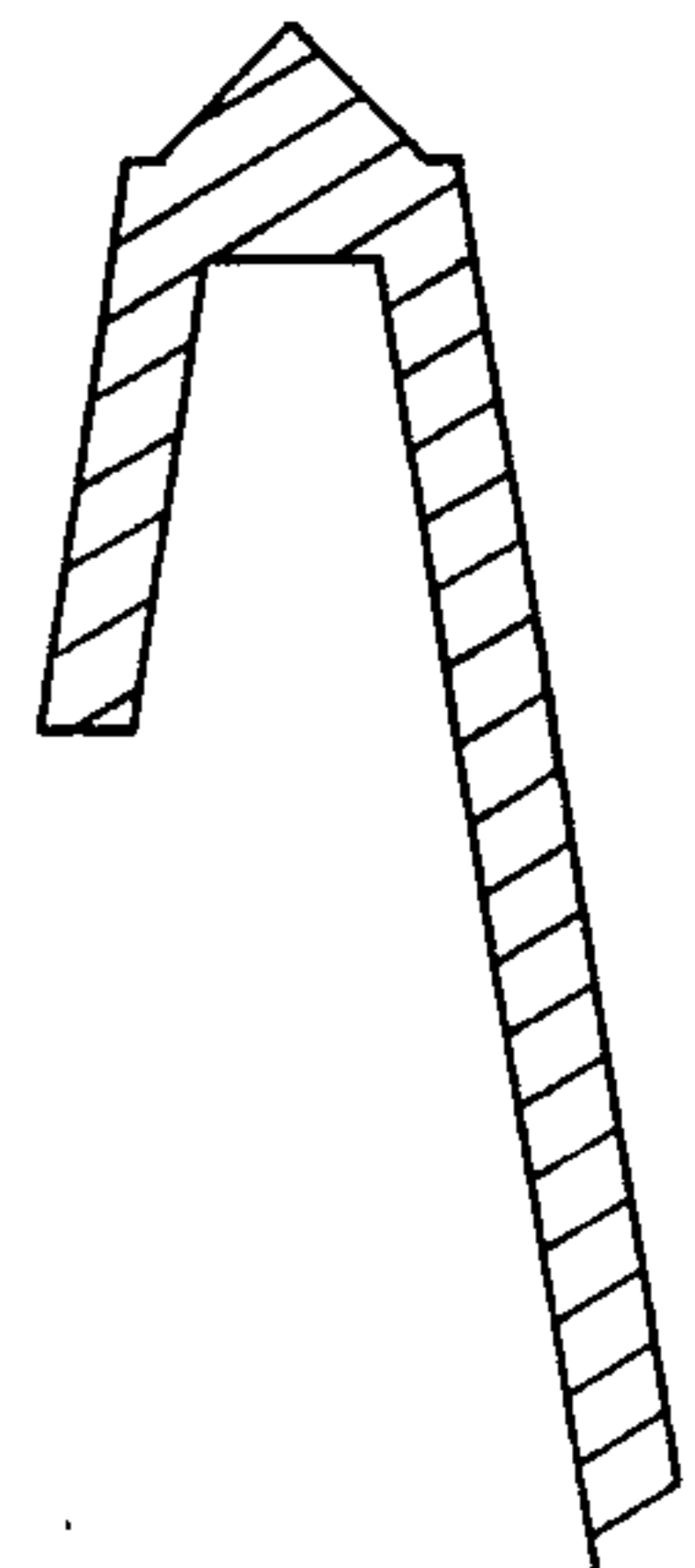
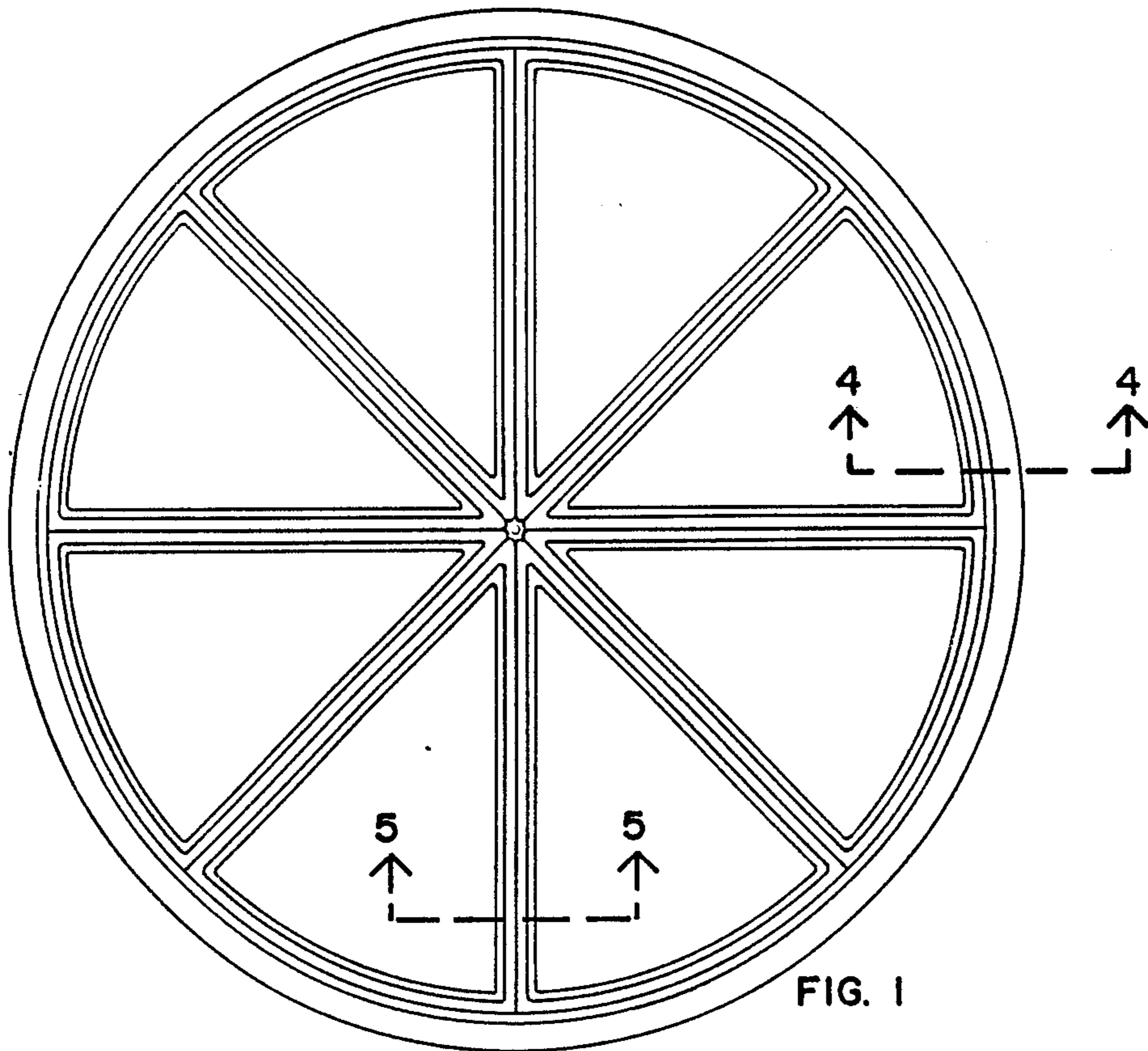
FIG. 9 is a cross-sectional view taken along line 9-9 of FIG. 6;

Primary Examiner—Bernard Ansher

Assistant Examiner—Terry A. Pfeffer

FIG. 10 is a cross-sectional view taken along line 10-10 of FIG. 6.





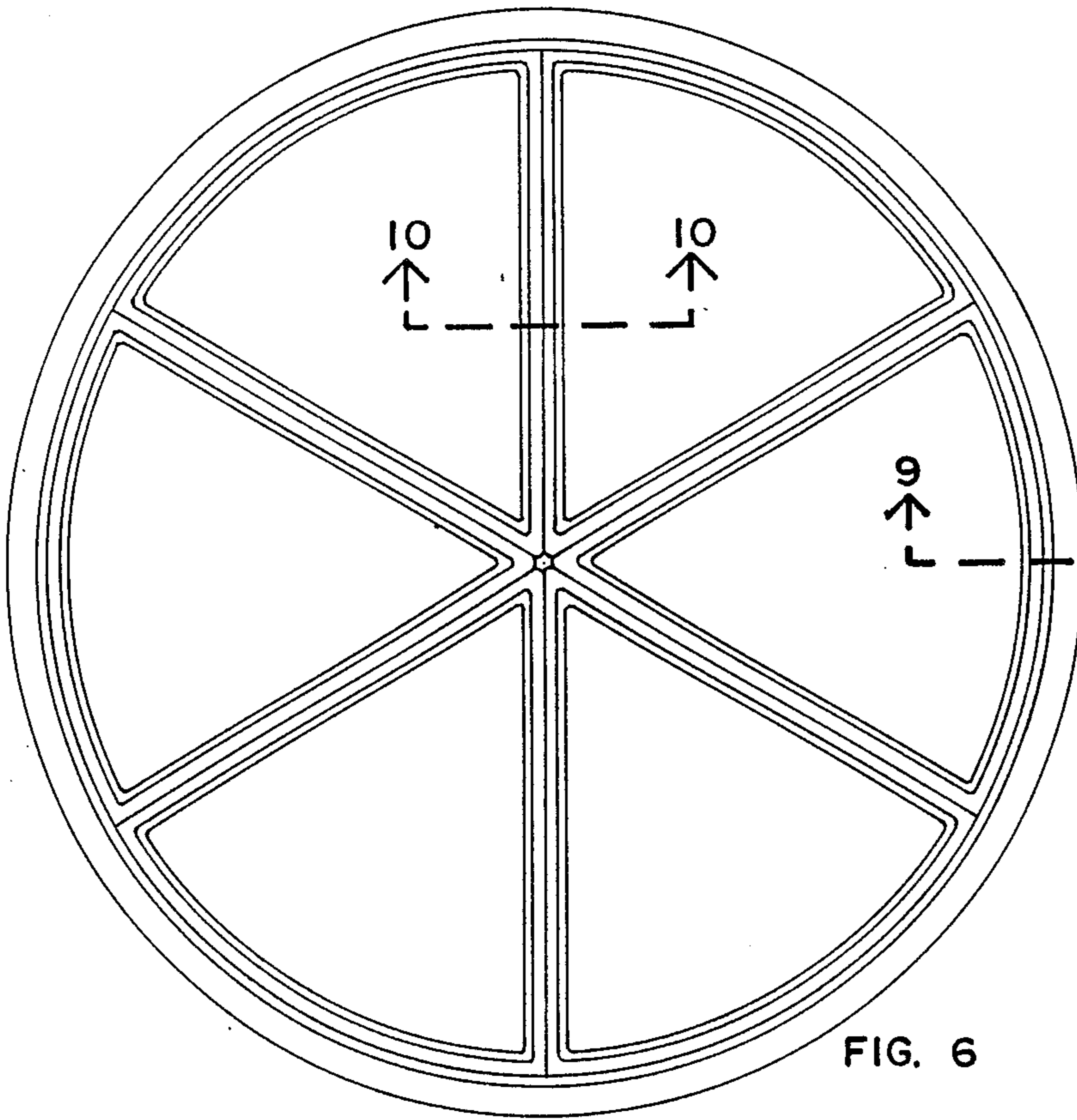


FIG. 6

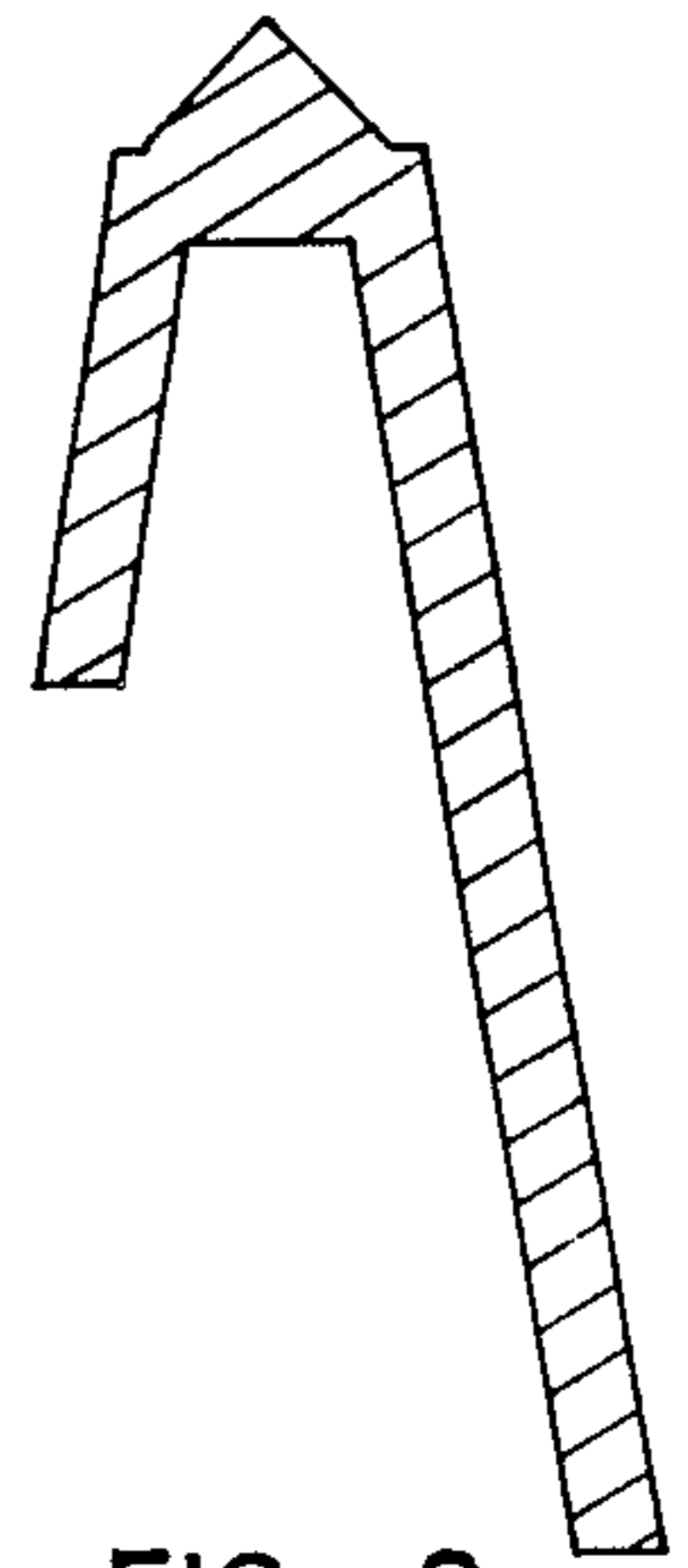


FIG. 9

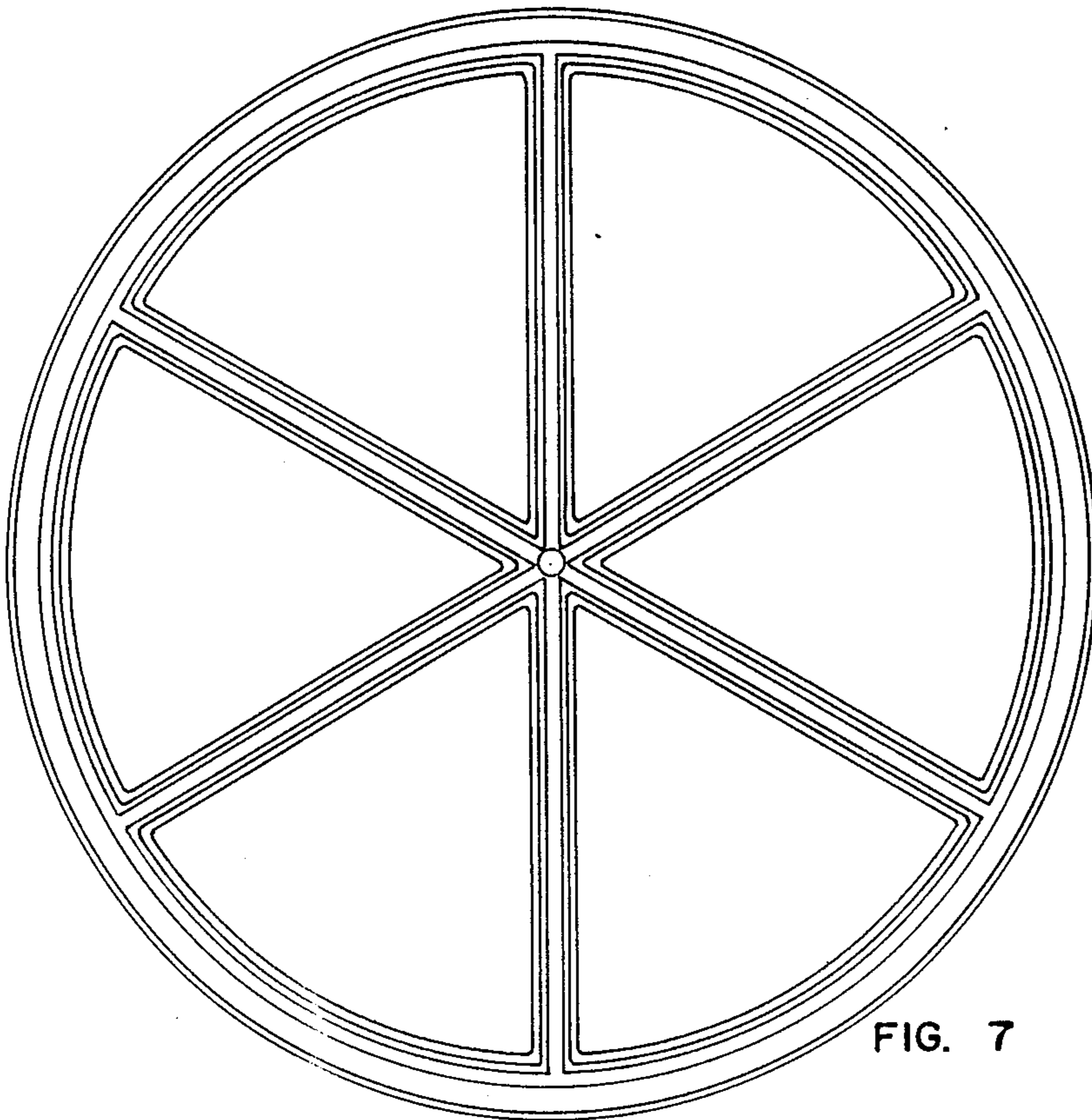


FIG. 7

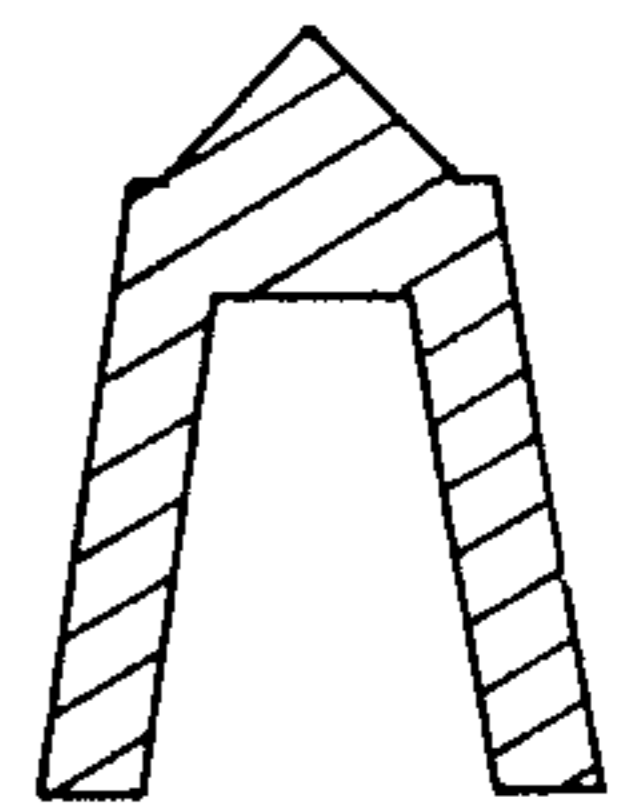


FIG. 10

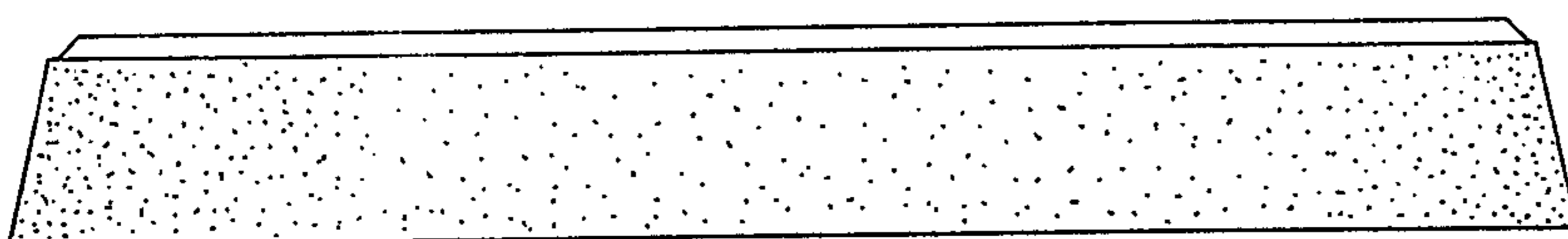


FIG. 8