

[54] CUTTING CENTER

[75] Inventors: Jane Ancona; Bruce Ancona, both of New York, N.Y.

[73] Assignee: M. Kamenstein, Inc., White Plains, N.Y.

[**] Term: 14 Years

[21] Appl. No.: 281,693

[22] Filed: Dec. 9, 1988

[52] U.S. Cl. D7/641; D6/457; D19/77

[58] Field of Search D7/637-641; D9/341-342; D34/43-46; D6/457; D19/85, 77; 211/70.6, 70.7, 60.1; 220/94 A; 248/37.3, 37.6

[56] References Cited

U.S. PATENT DOCUMENTS

- D. 121,048 6/1940 Hopkins .
- D. 142,783 11/1945 Jacobson .
- D. 188,064 5/1960 Hvale et al. .
- D. 197,792 3/1964 Munson .
- D. 200,020 1/1965 Reiss .
- D. 212,315 9/1968 Taylor .
- D. 245,895 9/1977 Krooss .
- D. 274,573 7/1984 Torokvei .
- D. 275,048 8/1984 Bannigan .

- D. 279,950 8/1985 Wan .
- D. 284,536 7/1986 Kelly .
- D. 295,106 4/1988 Hays .
- 2,238,324 4/1941 Hopkins .
- 3,298,532 1/1967 Wilcke .
- 4,534,474 8/1985 Ng .
- 4,561,548 12/1985 Call .

OTHER PUBLICATIONS

Hong Kong Enterprise, 8/83, p. 154, Holder for Kitchen Utensils.

Primary Examiner—Bernard Ansher
Assistant Examiner—Terry A. Pfeffer
Attorney, Agent, or Firm—Henry R. Lerner

[57] CLAIM

The ornamental design for a cutting center, as shown and described.

DESCRIPTION

FIG. 1 is a front perspective view of a cutting center showing our new design; the knives shown in broken lines for illustrative purposes only; FIG. 2 is a front perspective view thereof; FIG. 3 is a rear elevational view thereof; FIG. 4 is a left side elevational view thereof, the opposite side being a mirror image; FIG. 5 is a top plan view thereof; and FIG. 6 is a bottom plan view thereof.

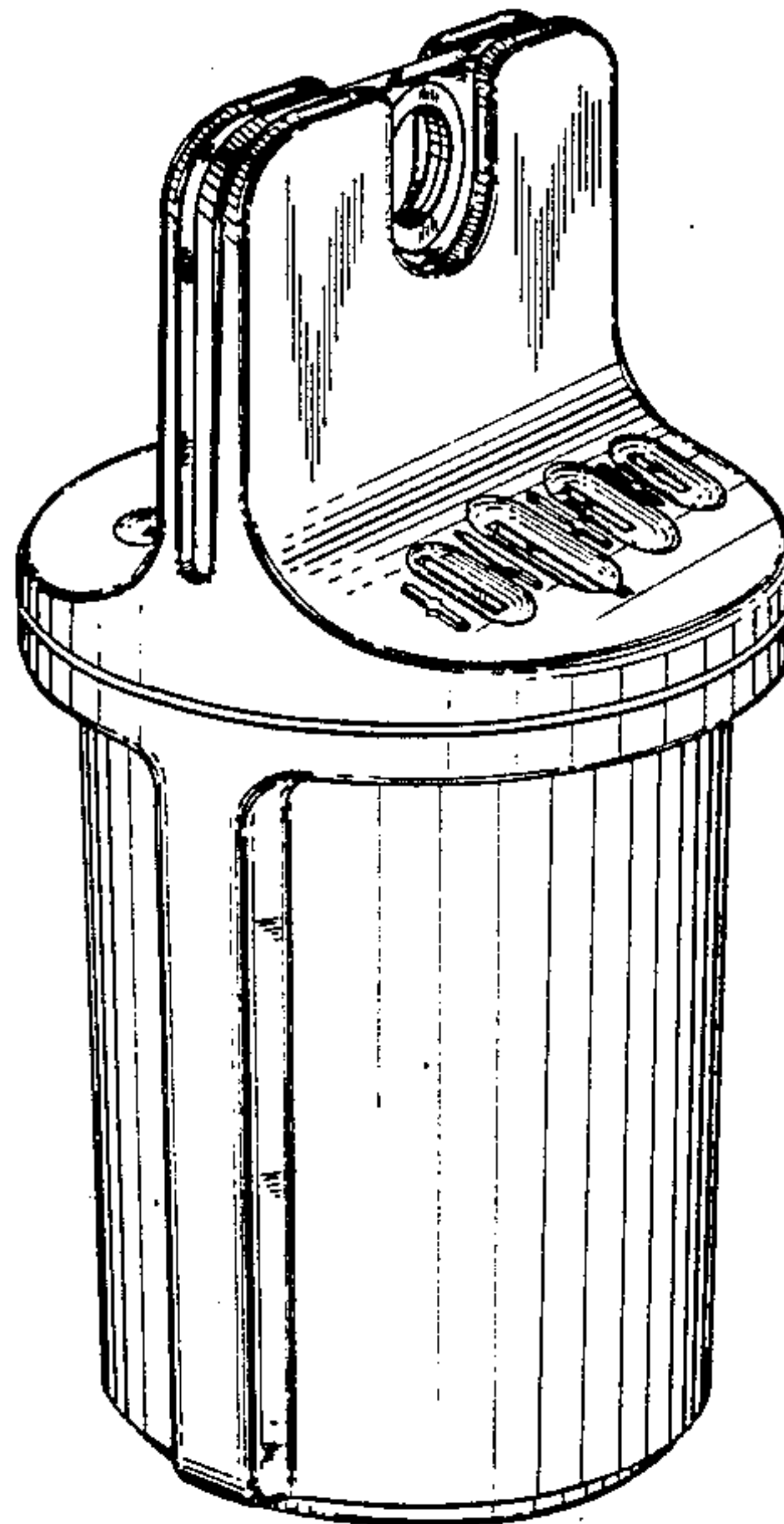


FIG. 1

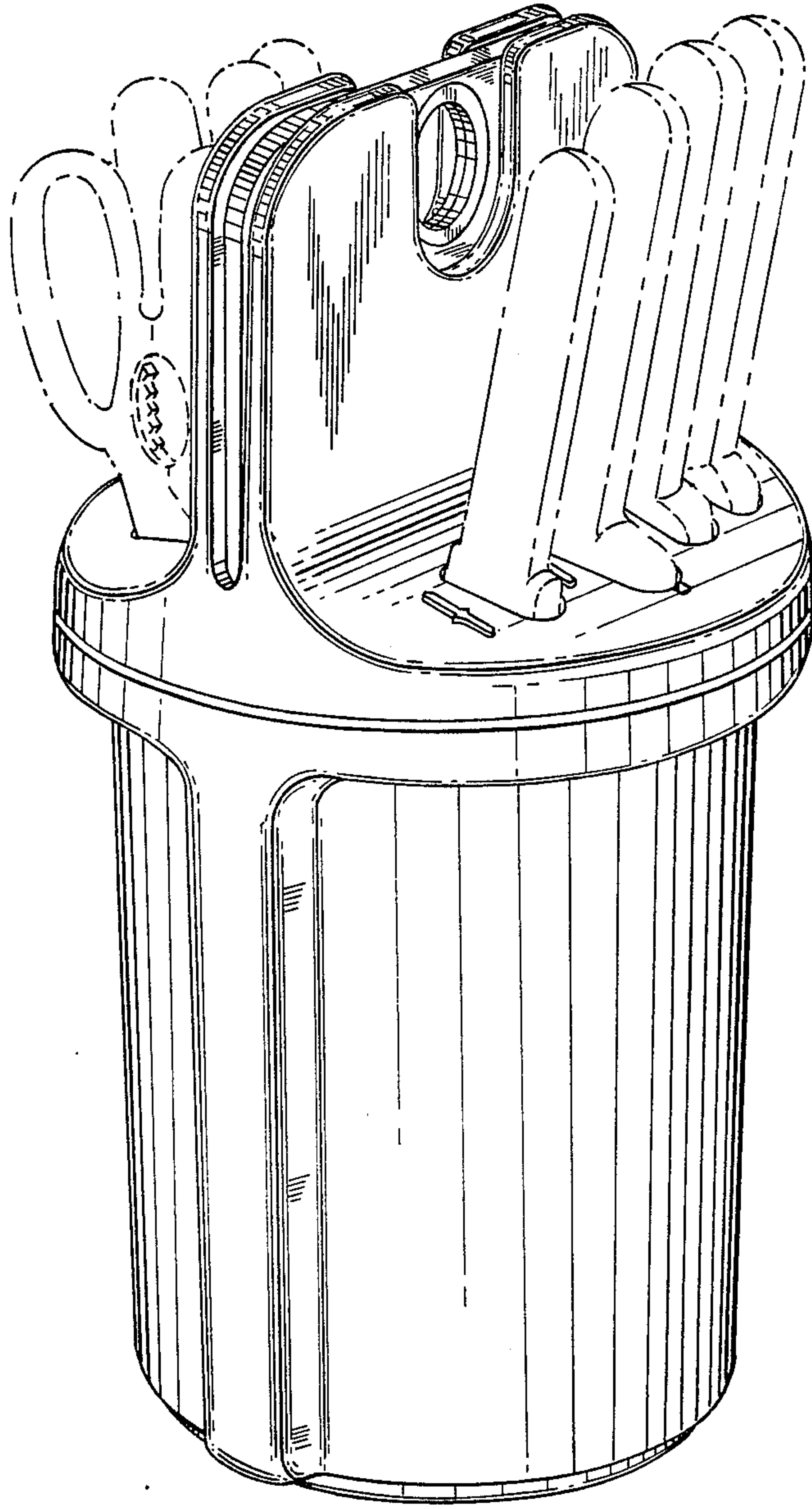


FIG. 2

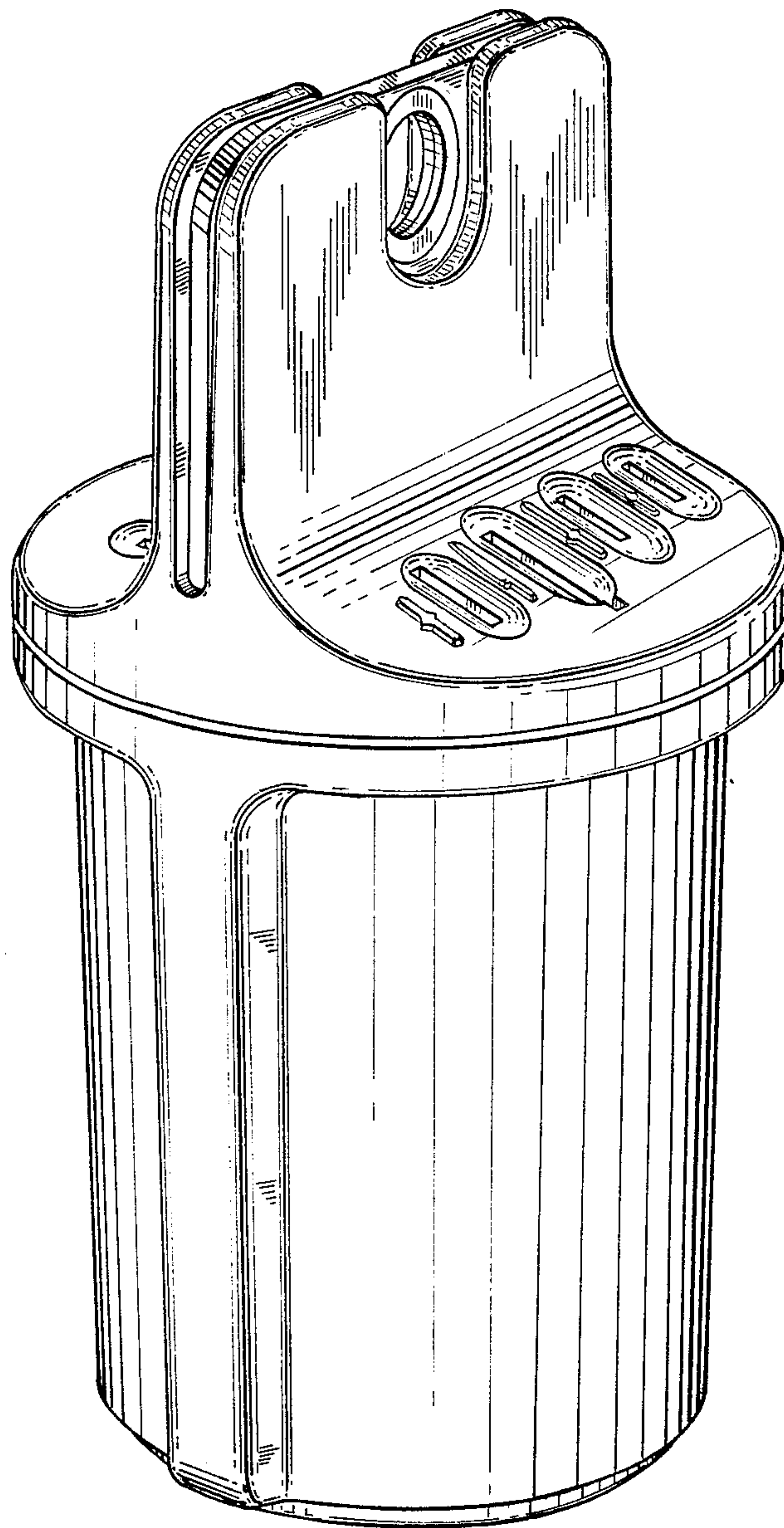


FIG. 3

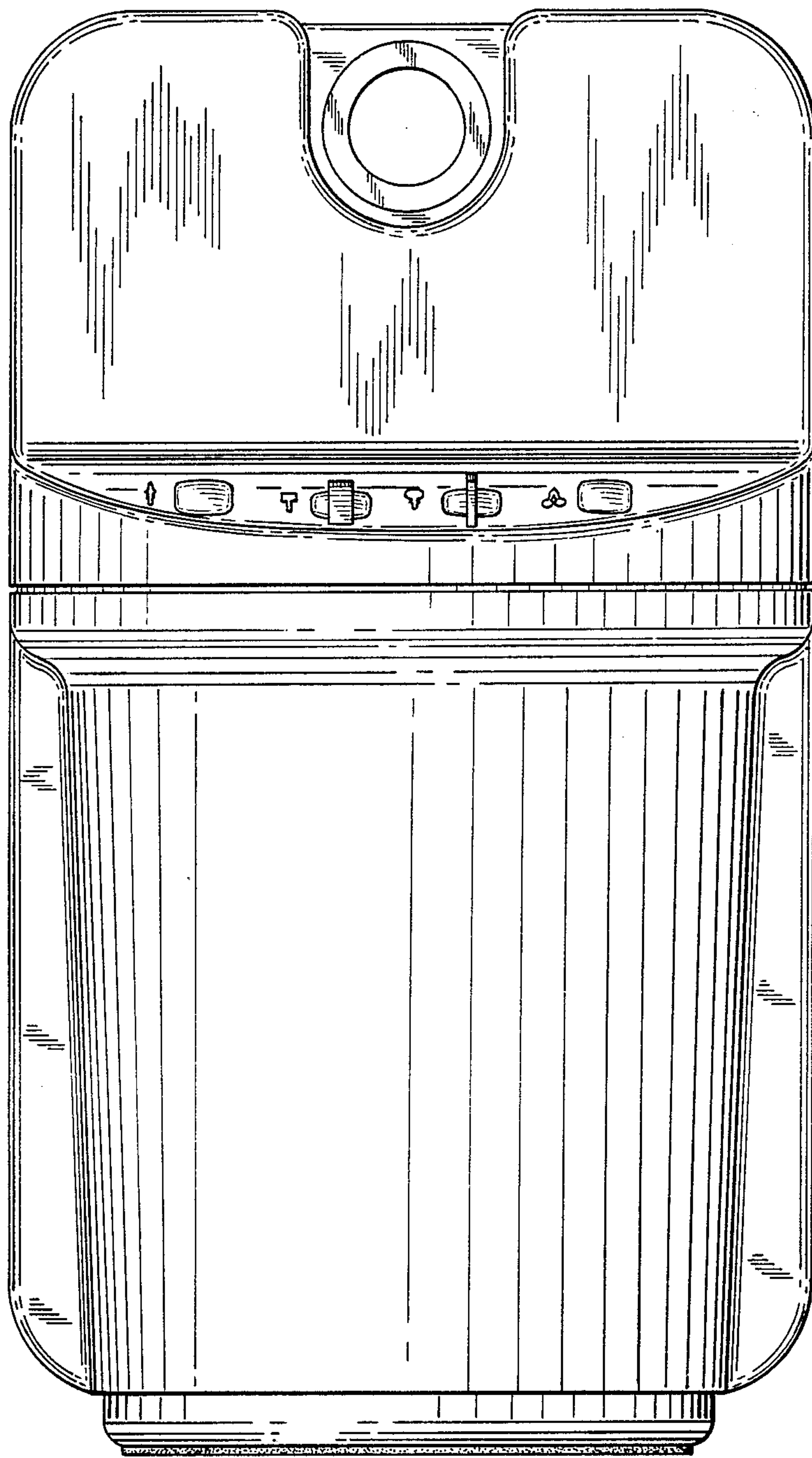


FIG. 4

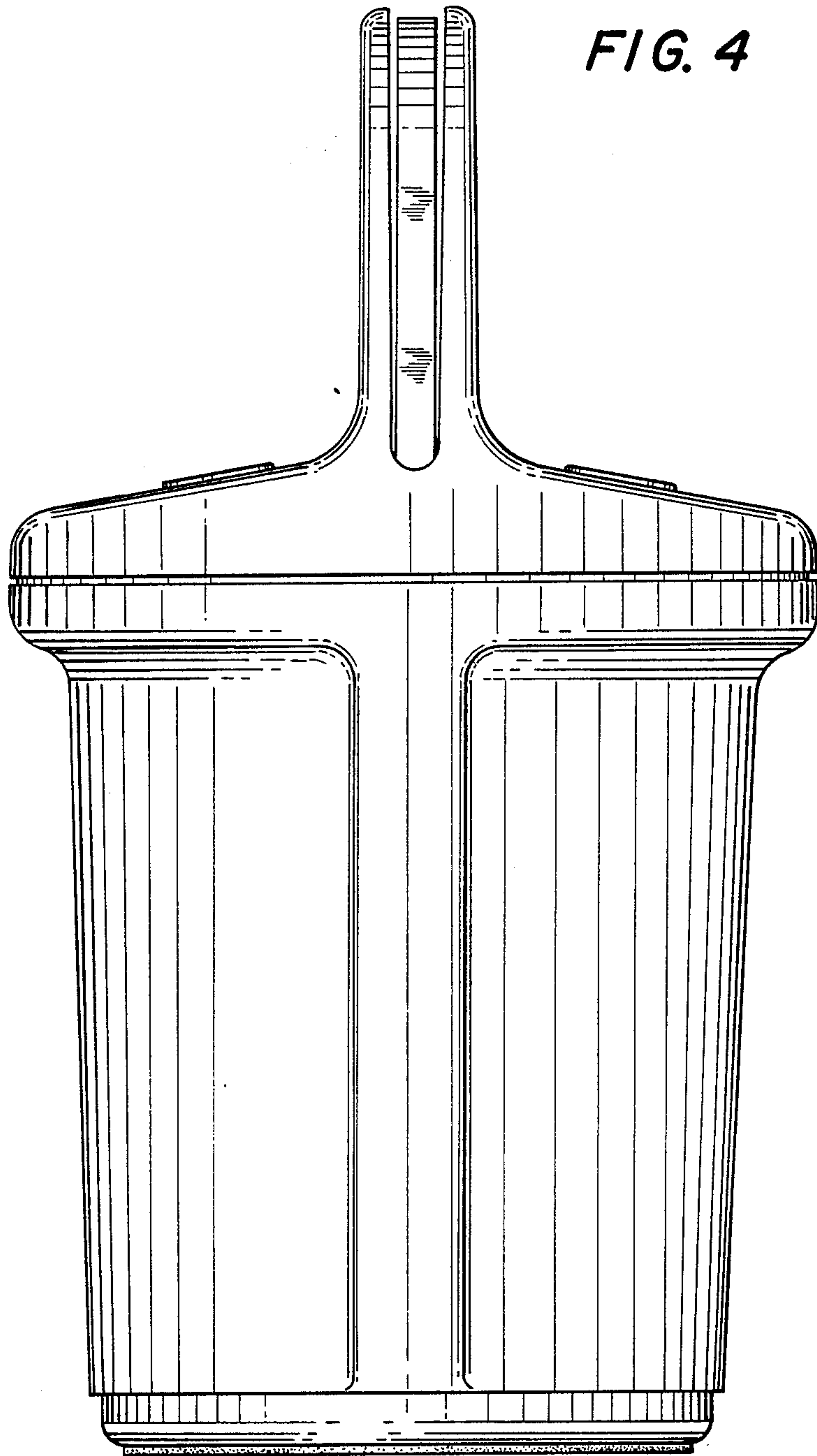


FIG. 5

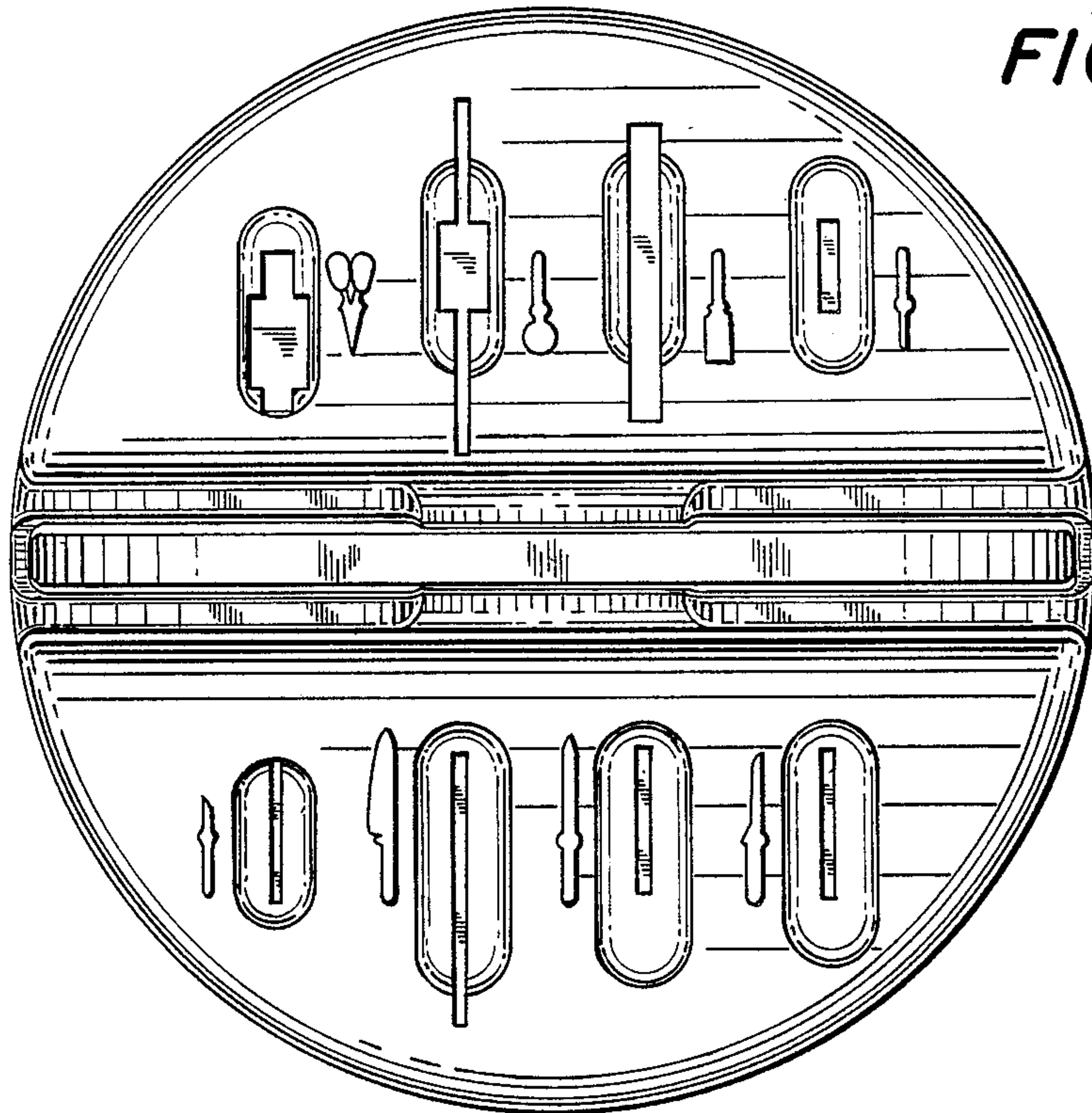


FIG. 6

