

[54] CONTAINER FOR FOOD

[75] Inventor: Ambrogio Pozzi, Gallarate, Italy

[73] Assignee: Fratelli Guzzini S.p.A., Recanati, Italy

[**] Term: 14 Years

[21] Appl. No.: 81,282

[22] Filed: Aug. 3, 1987

[30] Foreign Application Priority Data

Feb. 4, 1987 [IT] Italy 207354/87[U]

[52] U.S. Cl. D7/629; D7/502; D7/505; D7/538; D7/546

[58] Field of Search D7/84, 39, 16, 18, 40, D7/19, 21, 37, 38; 99/460; 220/23; D9/414, 435; 206/557; 229/1.5 C; 215/DIG. 5

[56] References Cited

U.S. PATENT DOCUMENTS

D. 284,437 7/1986 Zieff et al. D7/84

2,120,826 6/1938 Young D7/84 X

FOREIGN PATENT DOCUMENTS

722740 3/1932 France 215/DIG. 5

Primary Examiner—Charles A. Rademaker
Assistant Examiner—Terry A. Pfeffer
Attorney, Agent, or Firm—Hedman, Gibson, Costigan & Hoare

[57] CLAIM

The ornamental design for a container for food, as shown and described.

DESCRIPTION

FIG. 1 is a perspective view of a container for food showing my new design;
FIG. 2 is an exploded top perspective view thereof;
FIG. 3 is a top plan view thereof;
FIG. 4 is a bottom plan view thereof;
FIG. 5 is a front elevational view thereof;
FIG. 6 is a rear elevational view thereof;
FIG. 7 is a right side elevational view thereof;
FIG. 8 is a left side elevational view thereof.

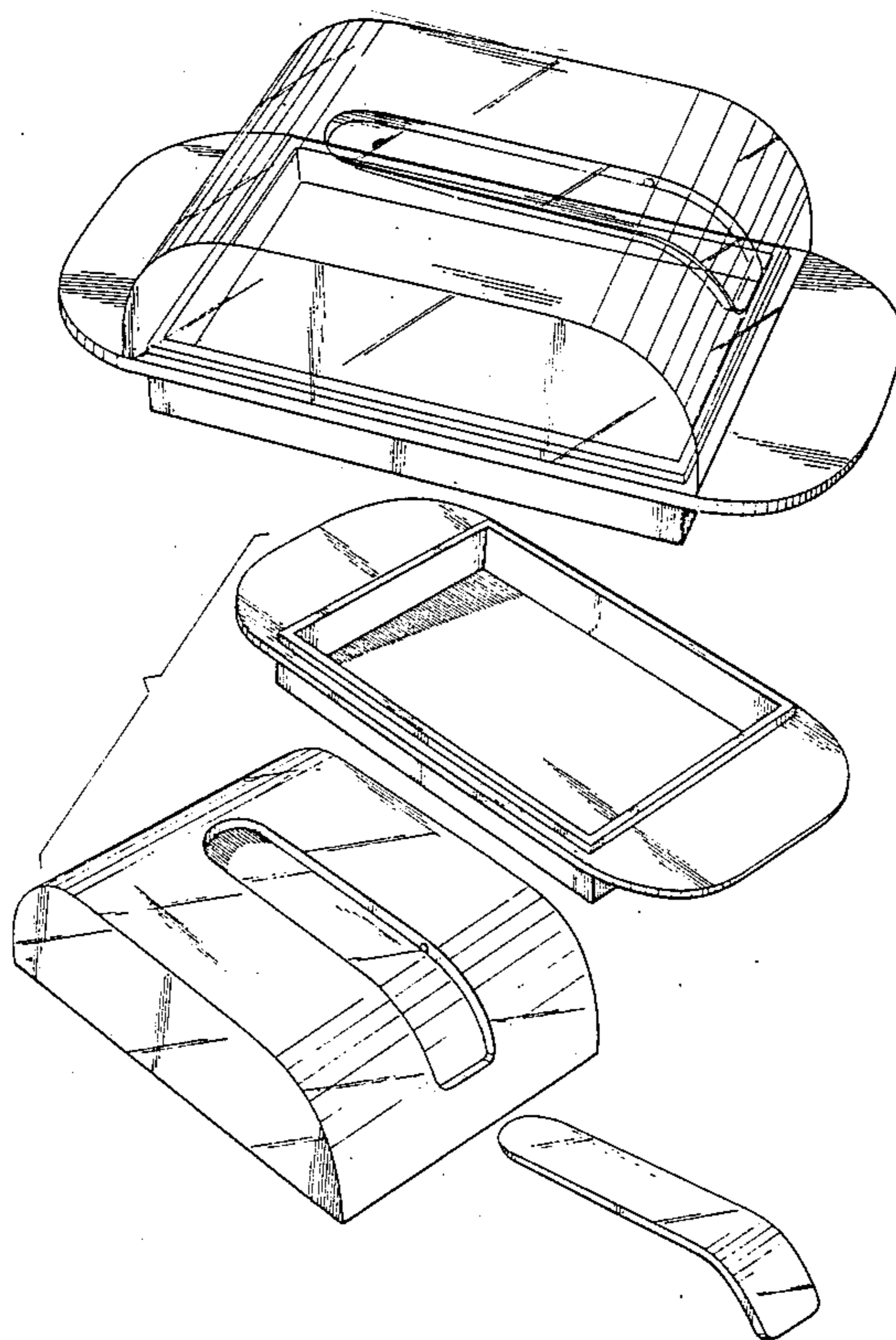


Fig.1

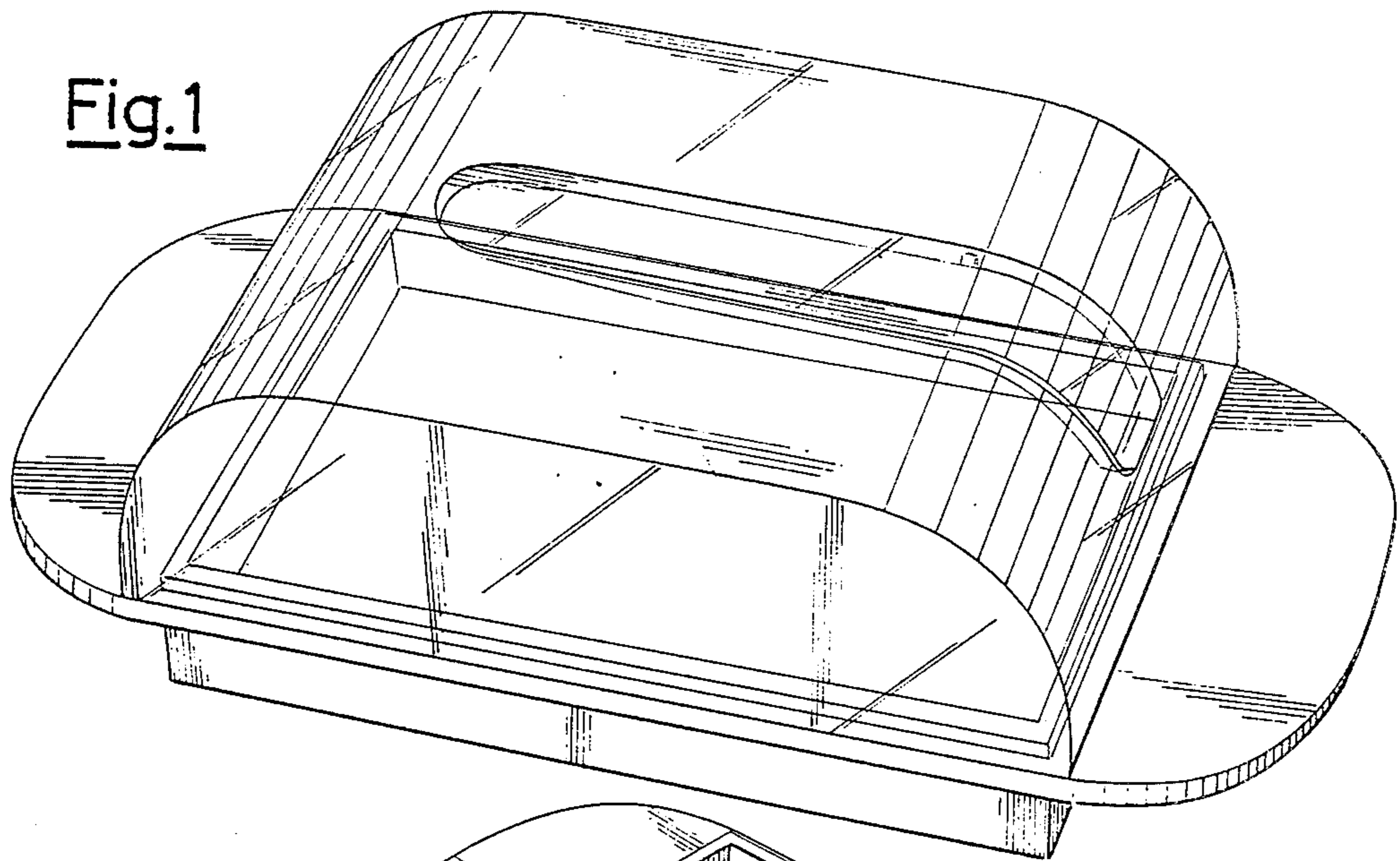


Fig.2

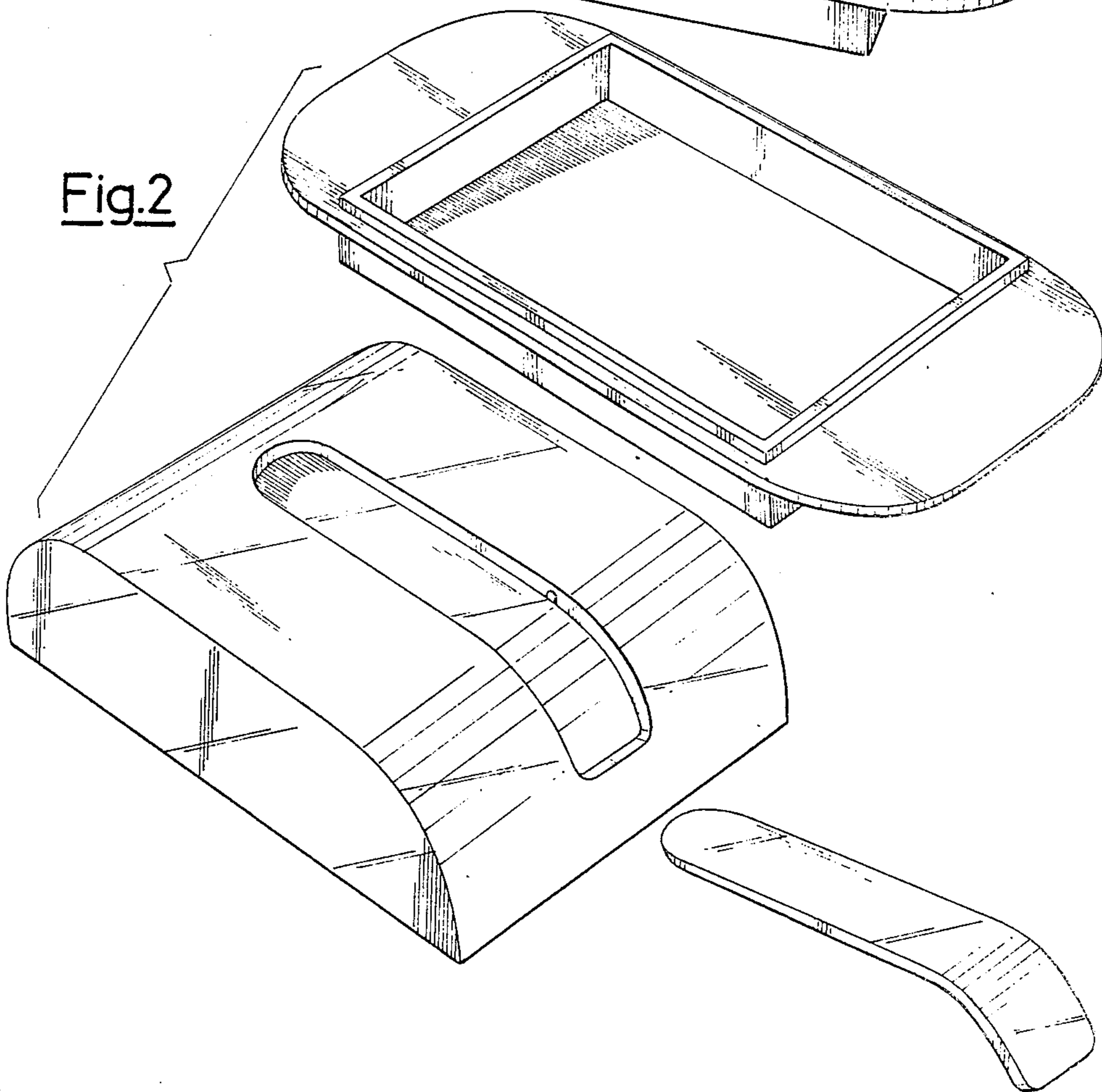


Fig. 3

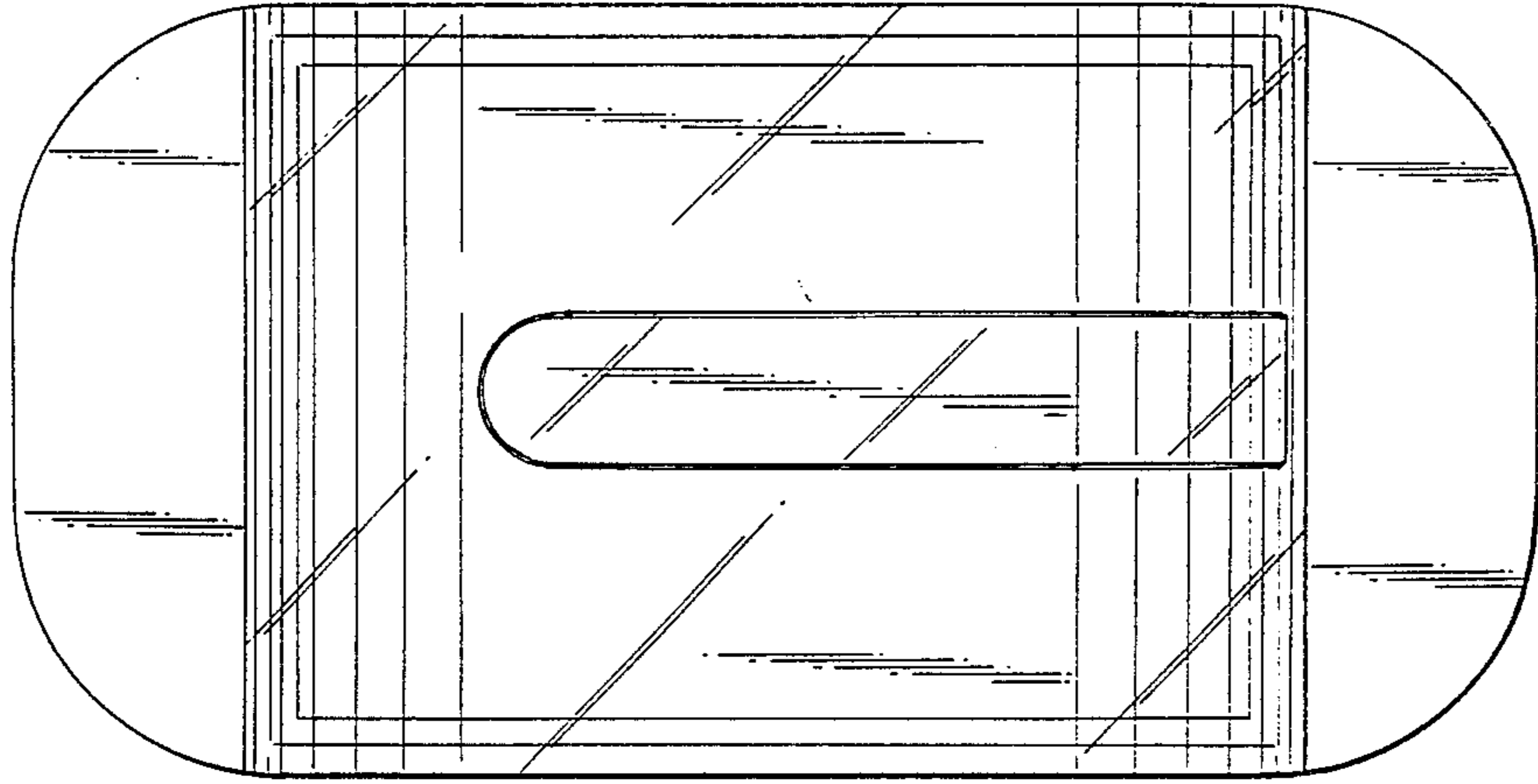


Fig. 4

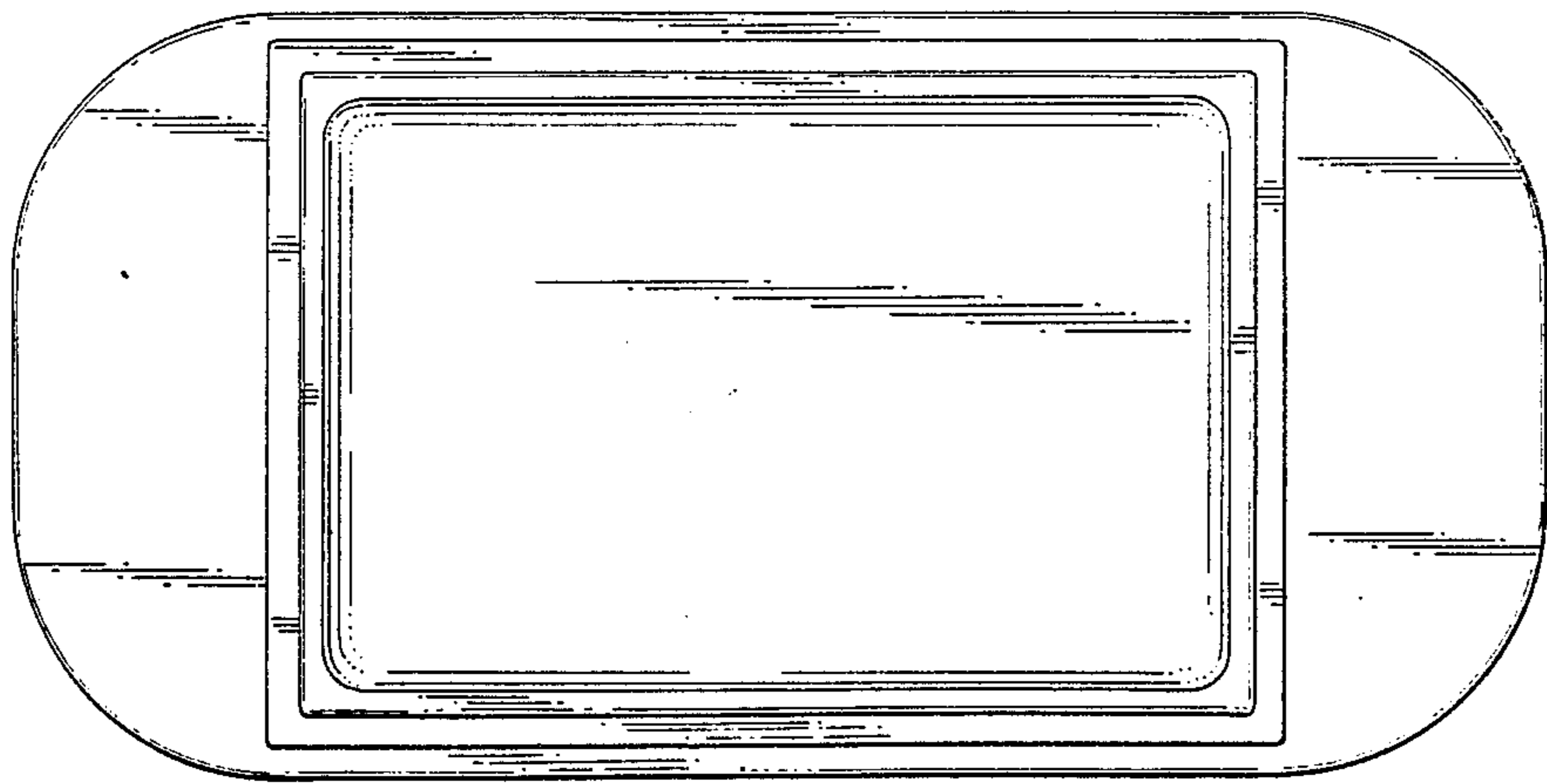


Fig. 5

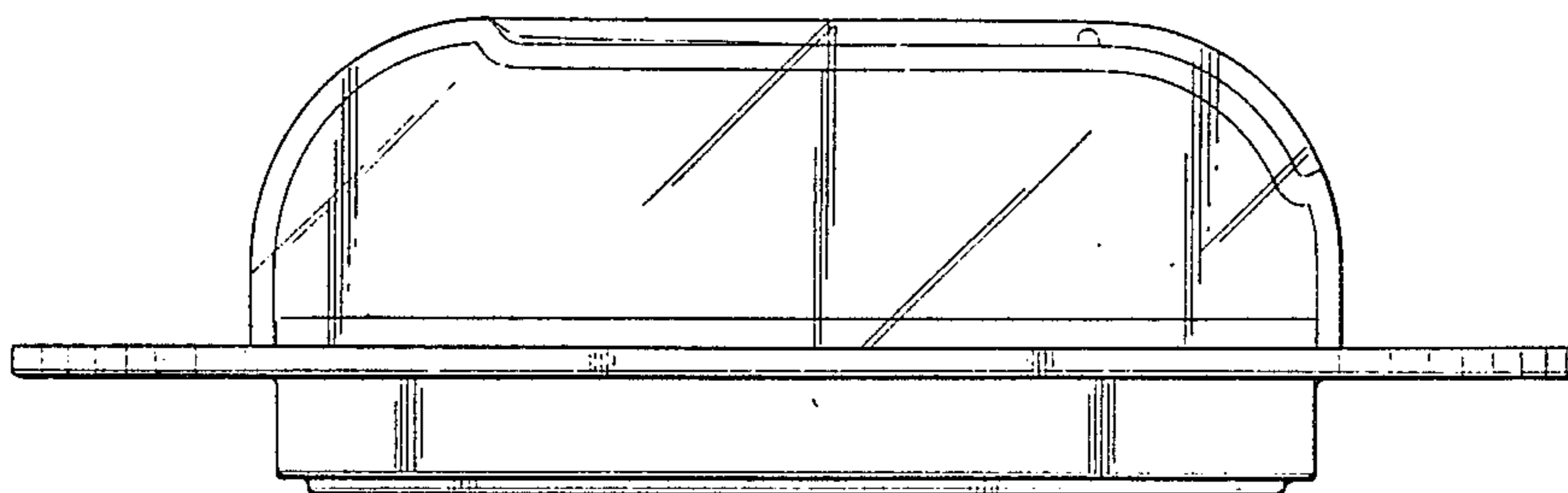


Fig. 6

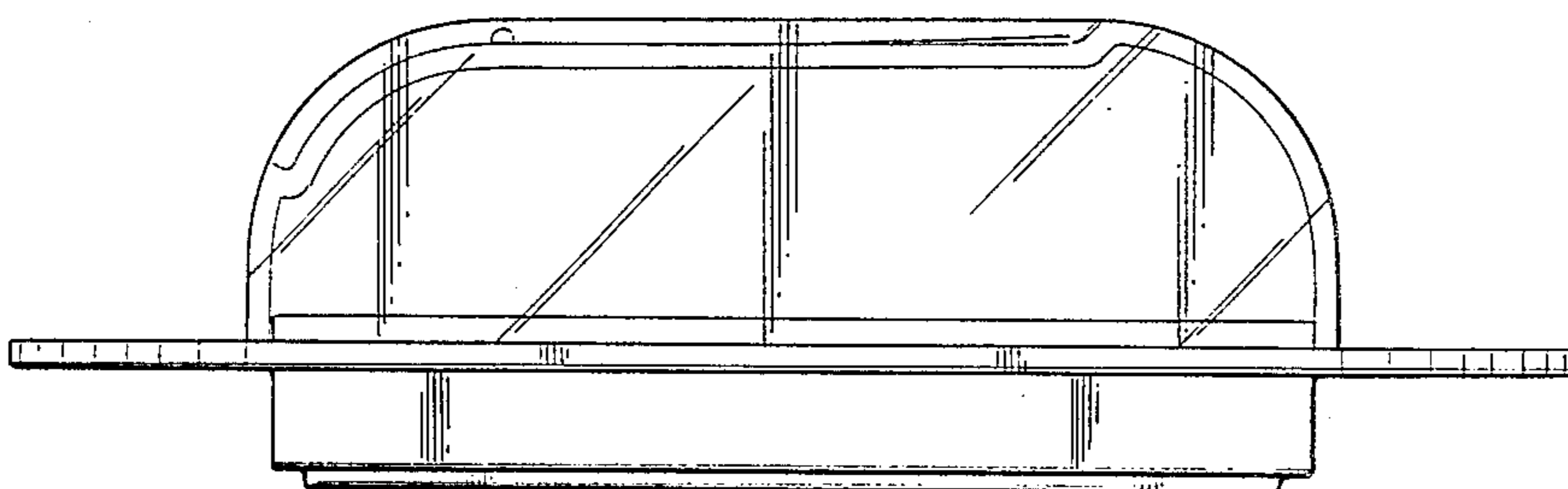


Fig. 7

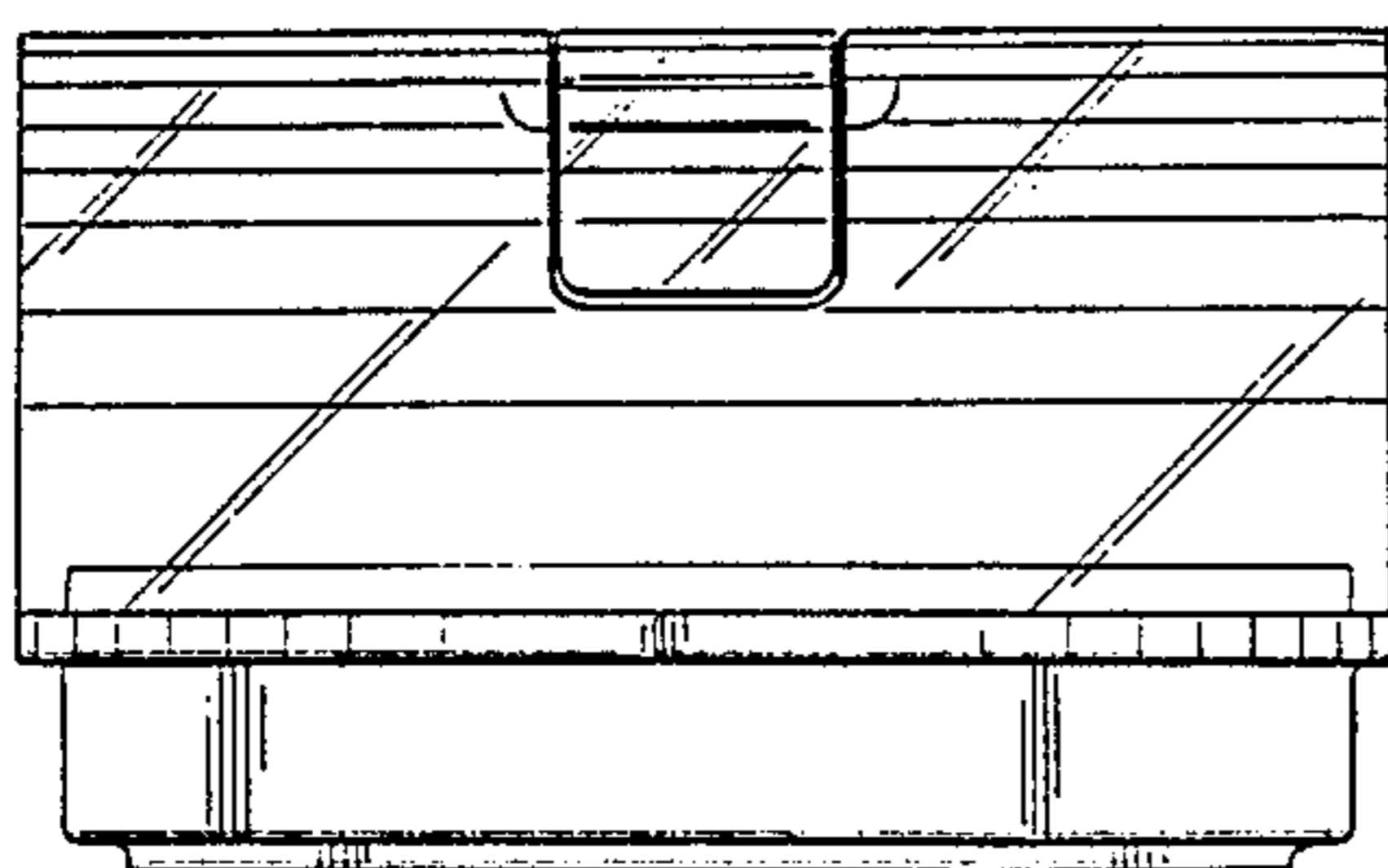


Fig. 8

