

[54] FOOD AND BEVERAGE CARRYING TRAY

3,542,280 11/1970 Crabtree 206/565 X

[76] Inventor: Gary B. Starnes, 2506 Kingston St.,
Dallas, Tex. 75211

Primary Examiner—Bernard Ansher
Assistant Examiner—Terry A. Pfeffer
Attorney, Agent, or Firm—Richard C. Litman

[**] Term: 14 Years

[57] CLAIM

[21] Appl. No.: 204,777

The ornamental design for a food and beverage carrying tray, as shown and described.

[22] Filed: Jun. 10, 1988

[52] U.S. Cl. D7/616

DESCRIPTION

[58] Field of Search D7/71, 37, 38; D3/40;
220/85 H, 23.8, 20; 108/43; 206/562.3, 565.6;
224/270

FIG. 1 is a right side, top perspective view of a food and beverage carrying tray showing my new design.

FIG. 2 is a top plan view thereof.

FIG. 3 is a bottom plan view thereof.

FIG. 4 is a front elevation view thereof.

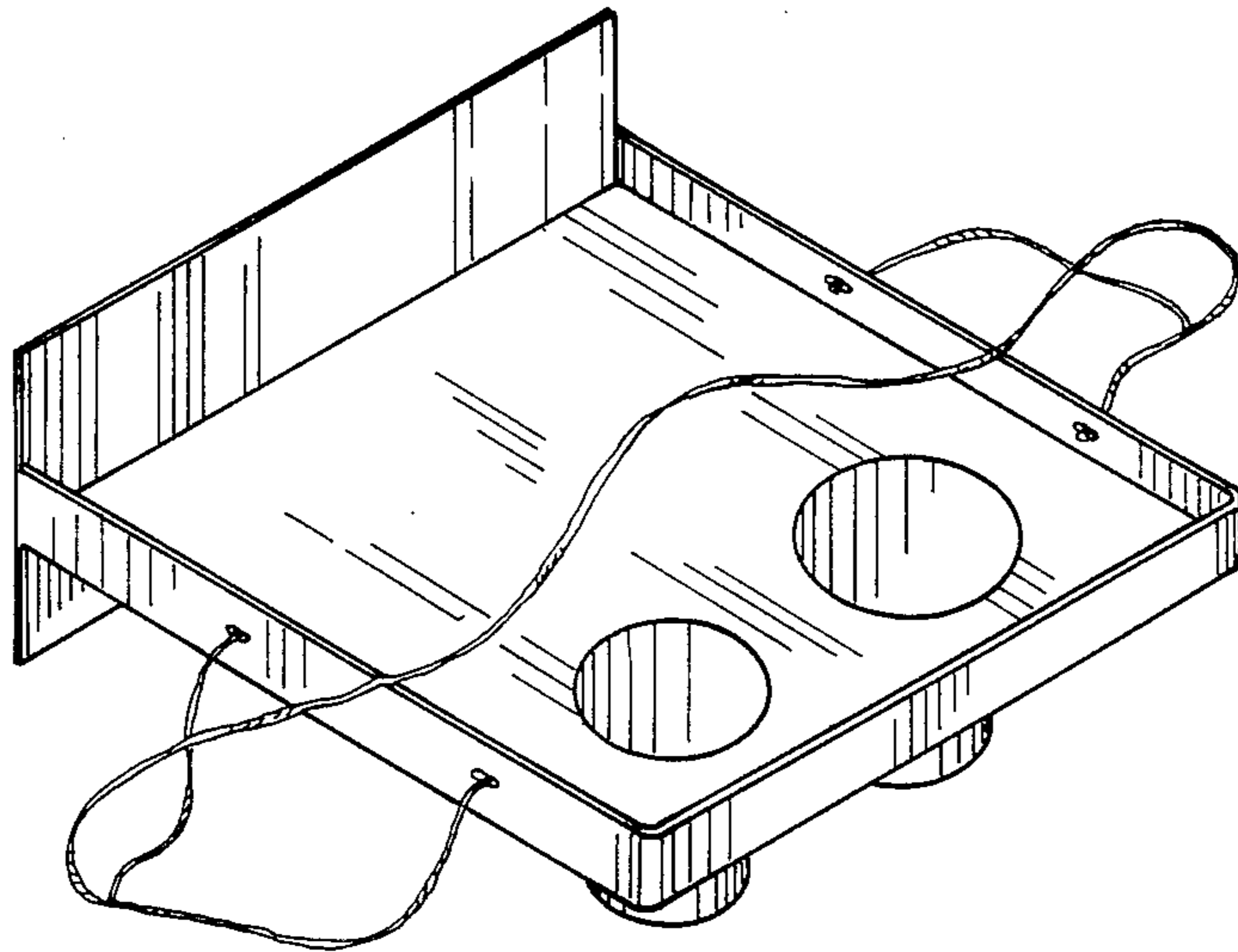
FIG. 5 is a rear elevation view thereof.

FIG. 6 is a left side elevation view thereof, the extra two trays shown in broken lines for illustrative purposes only.

[56] References Cited

U.S. PATENT DOCUMENTS

1,232,089	7/1917	Riebe	108/43
2,039,922	5/1936	Neats et al.	108/43 X
2,986,438	5/1961	Smathers et al.	206/564 X



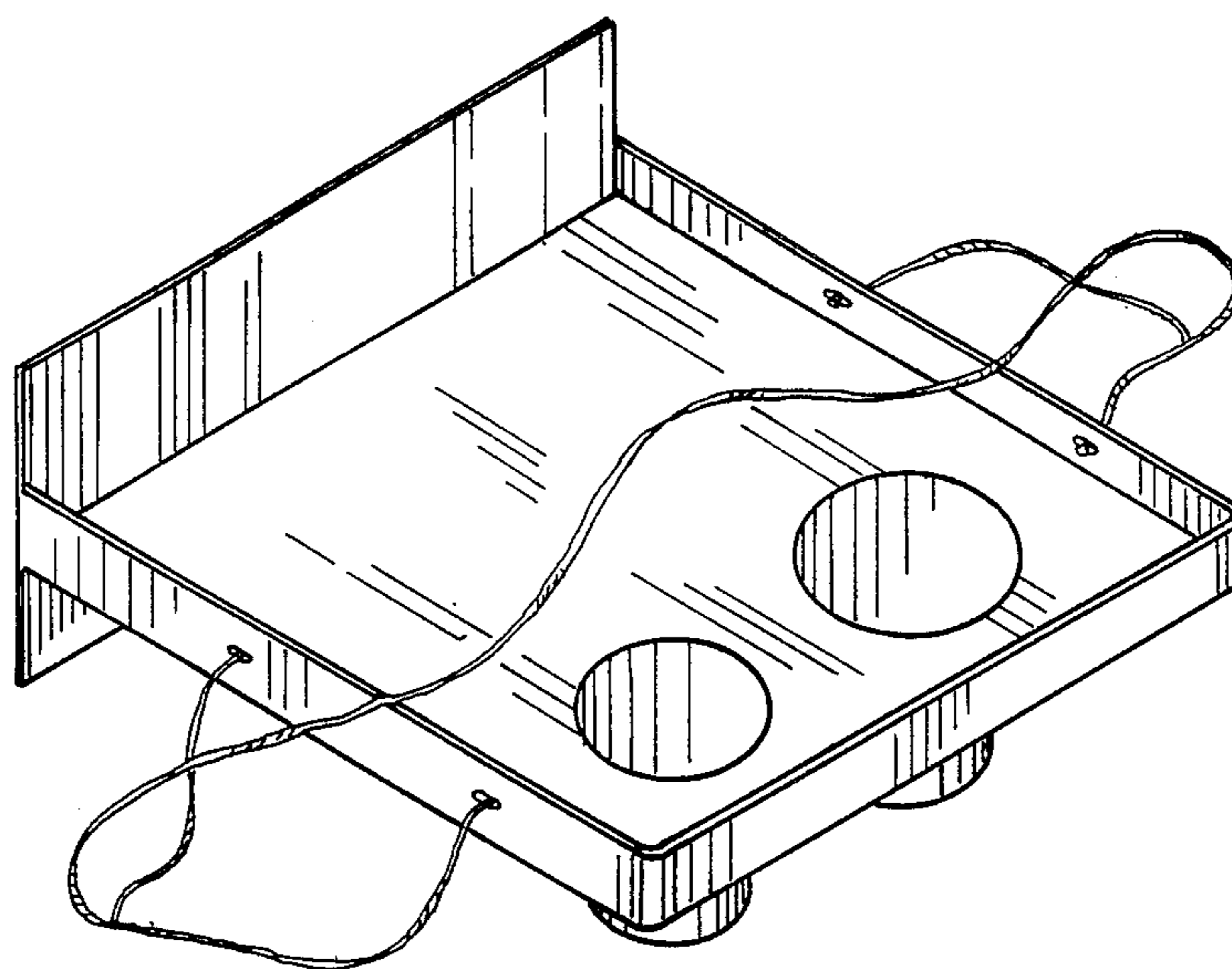


FIG - 1

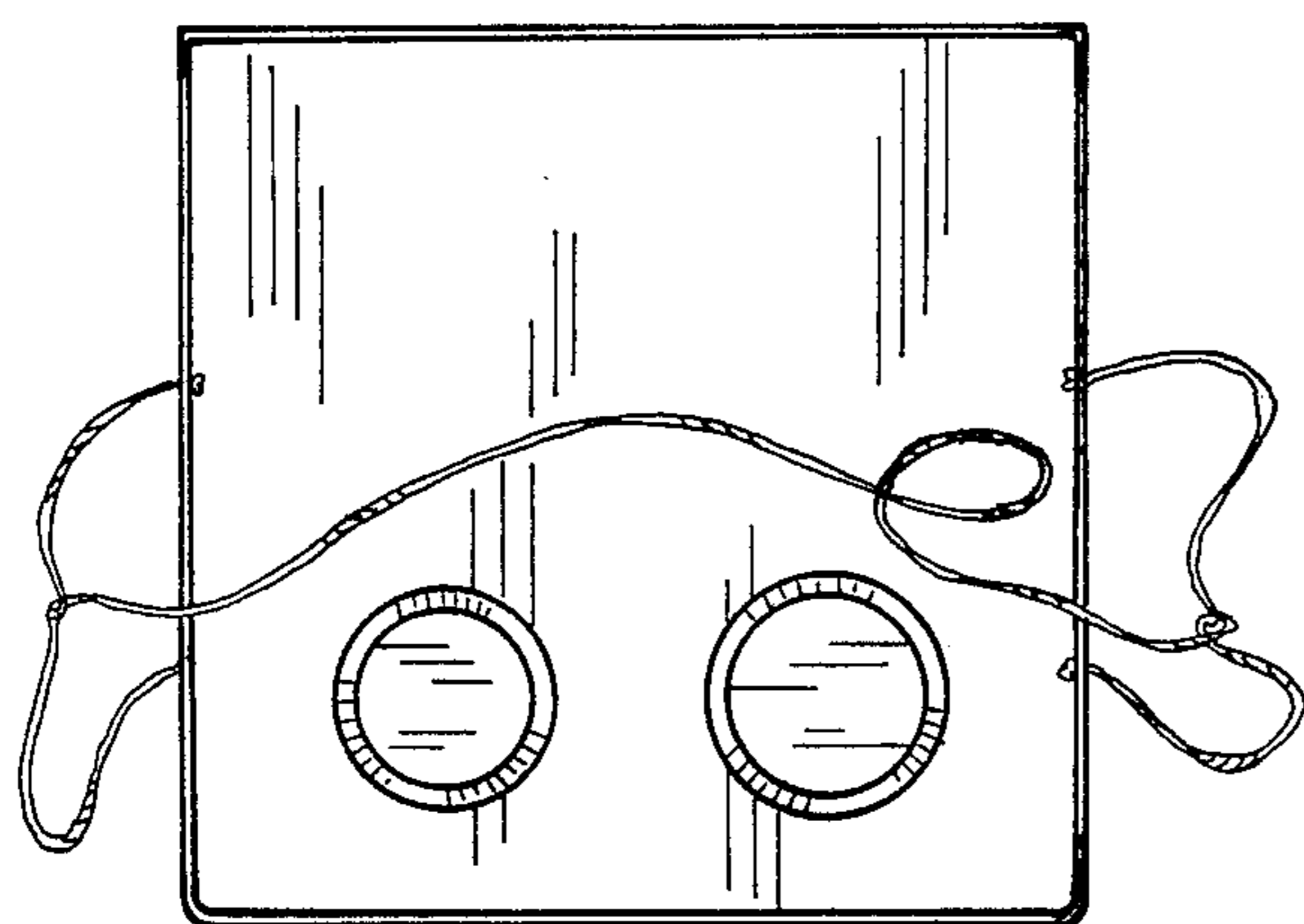
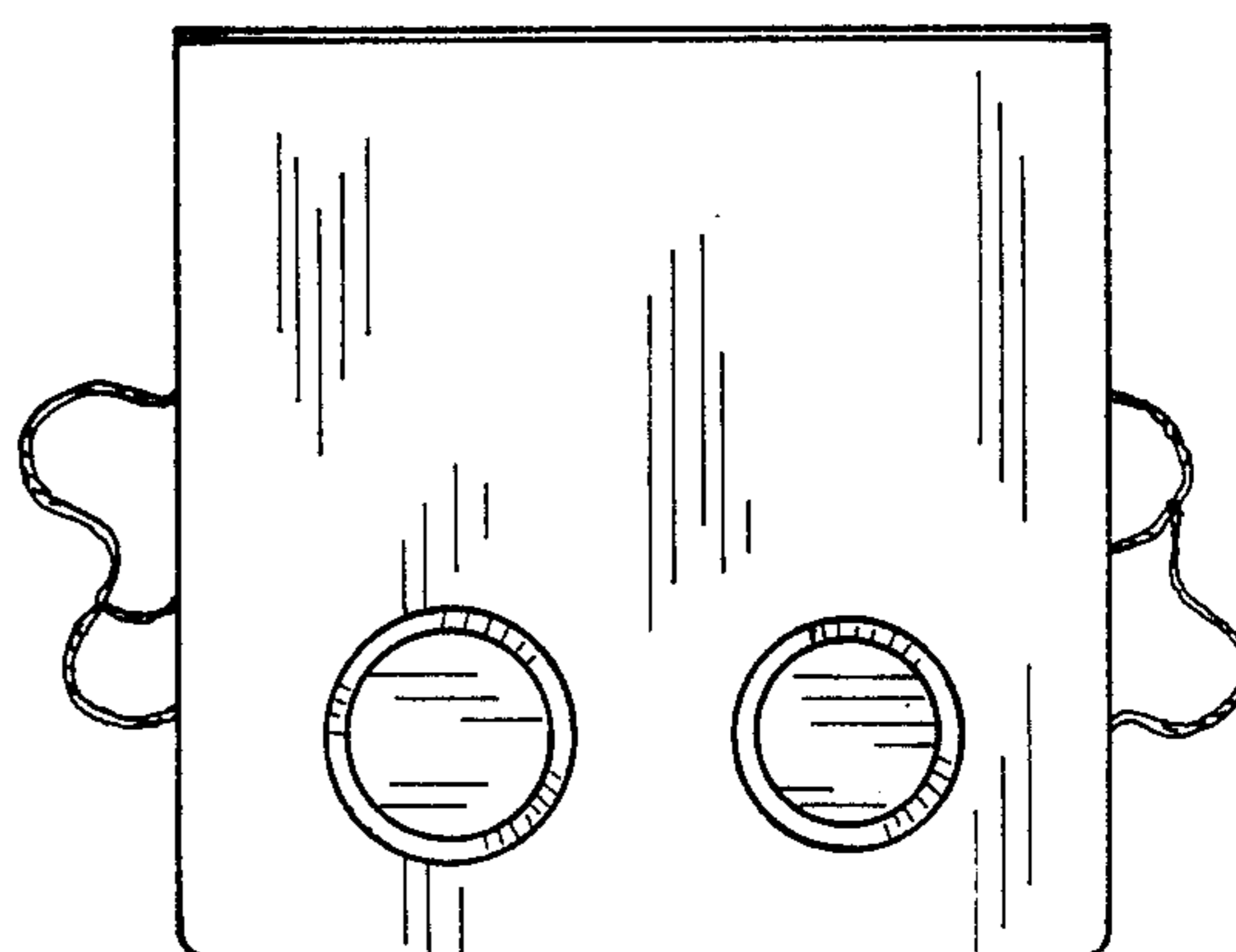


FIG - 2

FIG - 3



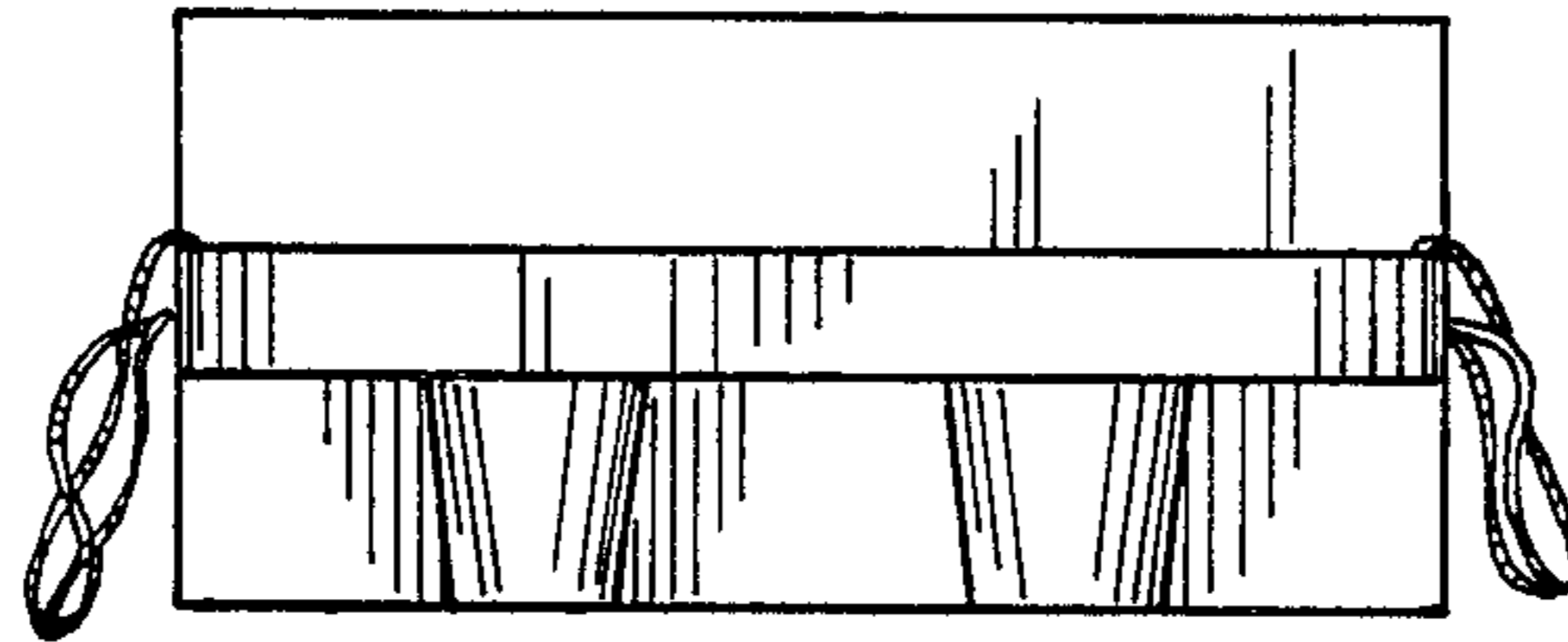


FIG - 4

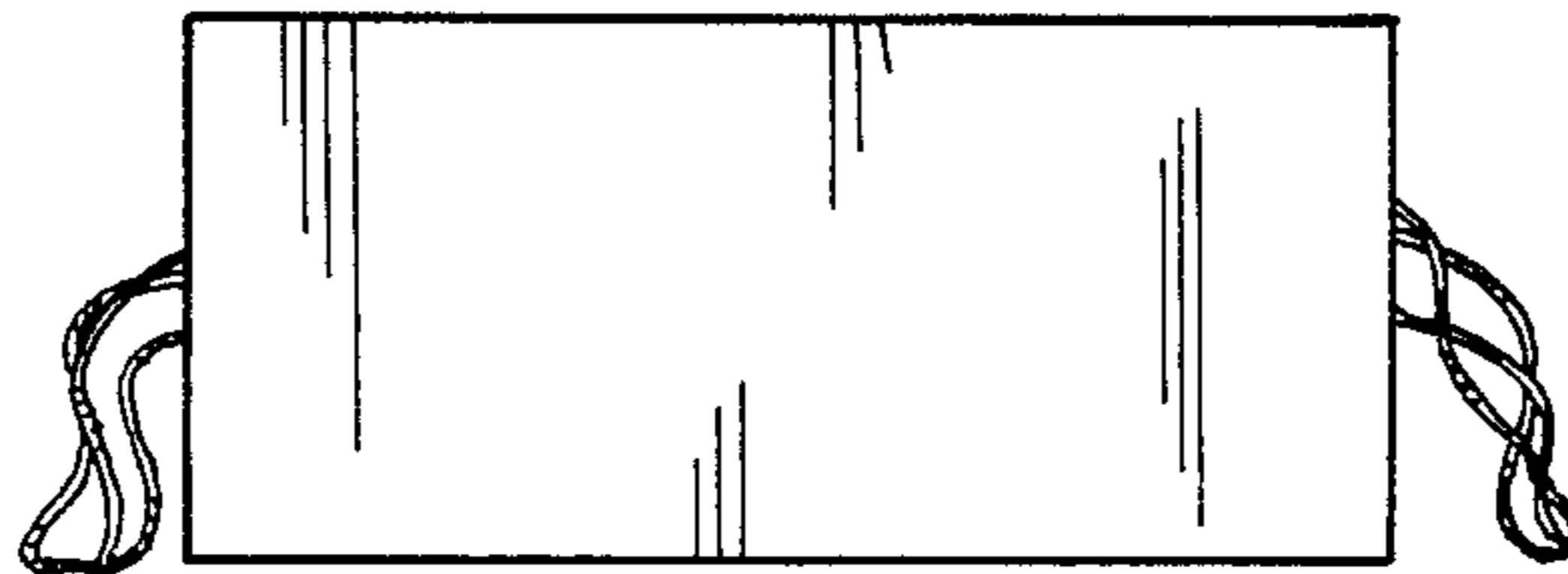


FIG - 5

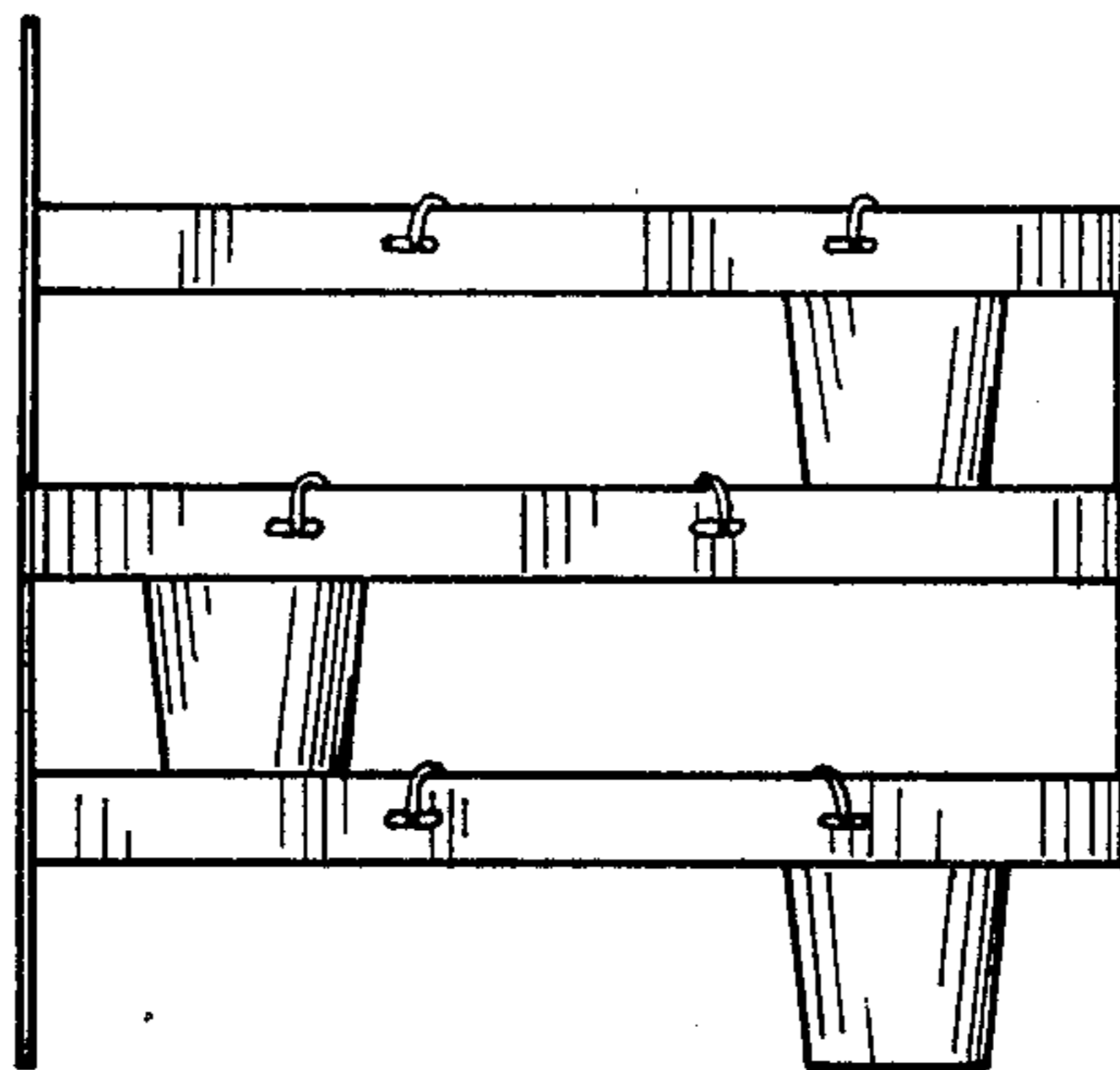


FIG - 6