

[54] GOLF BAG COOLER PACK

[76] Inventor: Donald E. Anderson, 2516 Mericopa St., Torrance, Calif. 90503

[\*\*] Term: 14 Years

[21] Appl. No.: 142,211

[22] Filed: Jan. 11, 1988

[52] U.S. Cl. .... D7/605; D7/607

[58] Field of Search ..... D7/76, 77, 71; 62/371, 62/457.4, 457.5, 457.7; 206/427, 434; D3/30.1, 42

[56] References Cited

U.S. PATENT DOCUMENTS

2,558,181	6/1951	Kassel	62/457.5 X
2,888,135	5/1959	Guyer	206/434
4,295,345	10/1981	Atkinson	D7/77 X

Primary Examiner—Bernard Ansher

Assistant Examiner—Terry A. Pfeffer  
Attorney, Agent, or Firm—Timothy T. Tyson

[57] CLAIM

The ornamental design for a golf bag cooler pack, as shown and described.

DESCRIPTION

FIG. 1 is a top, front, and left side perspective view of a golf bag cooler pack with the top cover raised, showing my new design;

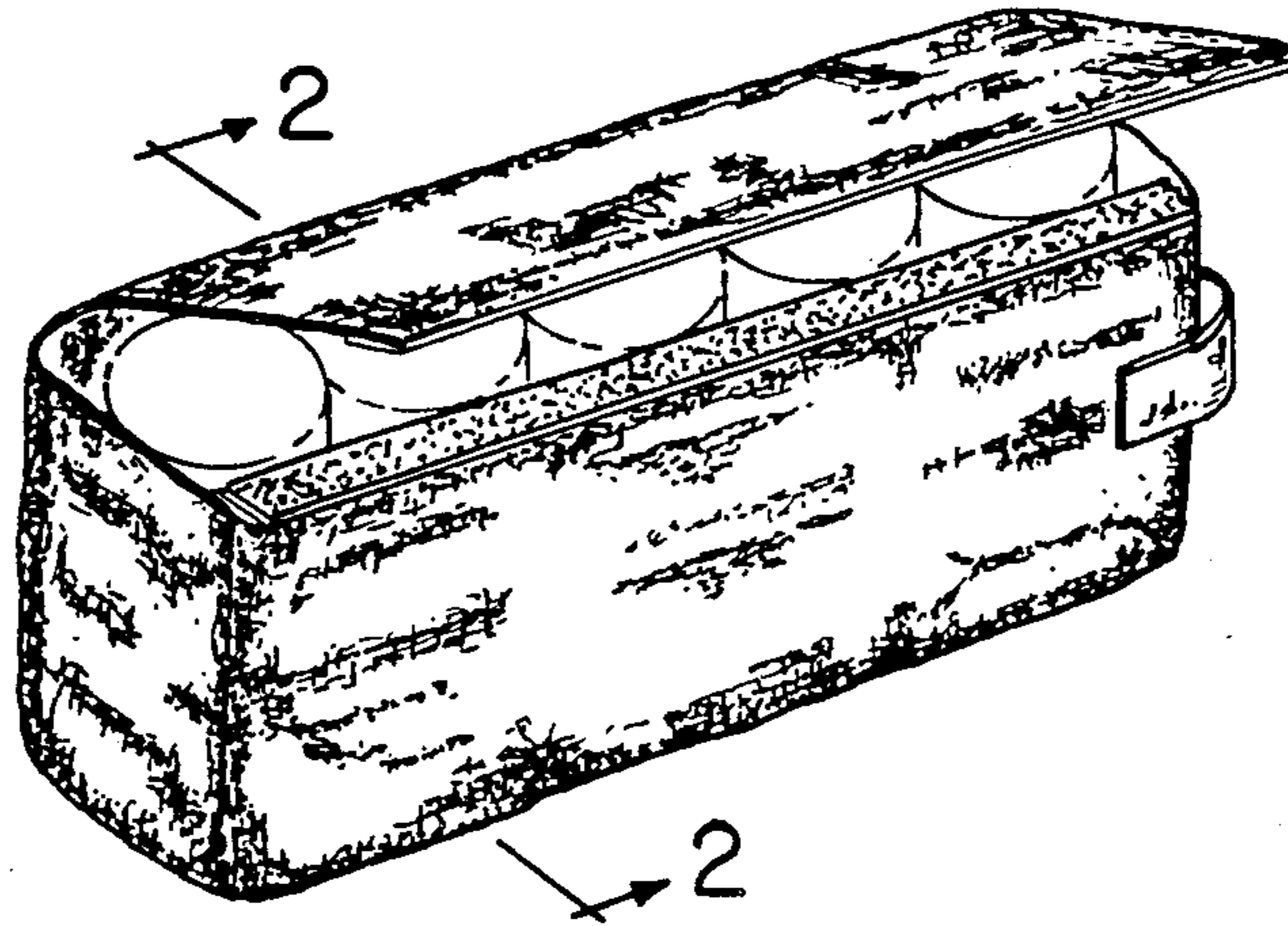
FIG. 2 is a sectional view along the line 2—2 of FIG. 1;

FIG. 3 is a front elevational view thereof;

FIG. 4 is a right end elevational view thereof, the left end elevational view being substantially the mirror image thereof without the handle; and

FIG. 5 is a top plan view thereof, the bottom plan view being substantially the same.

The cans shown in broken lines in FIG. 1 are for illustrative purposes only.



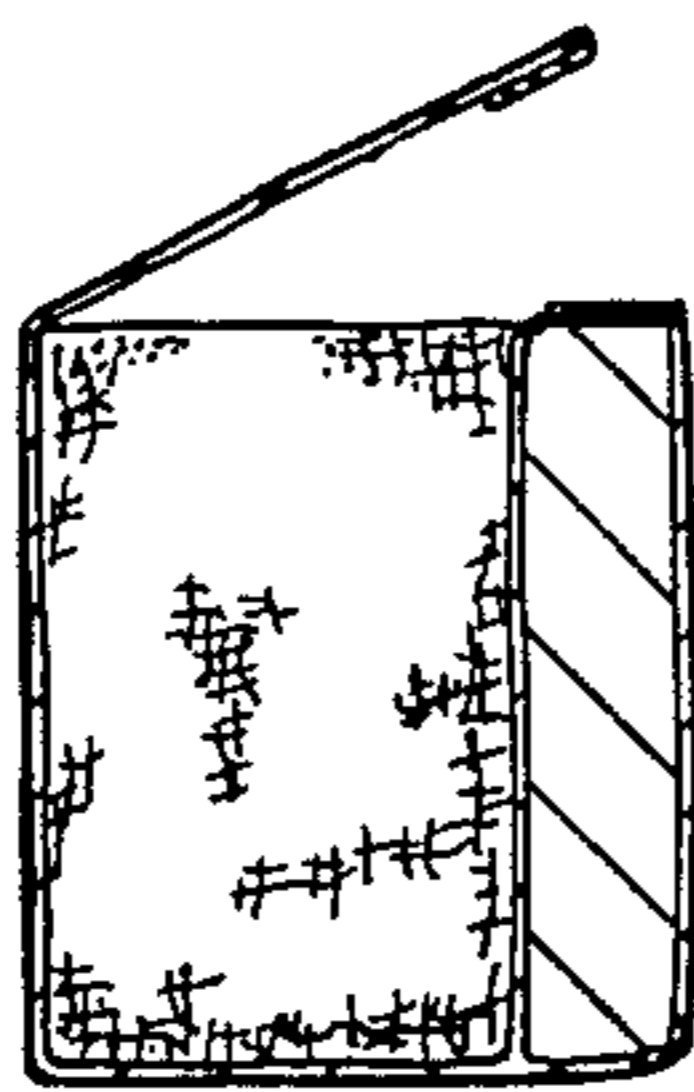
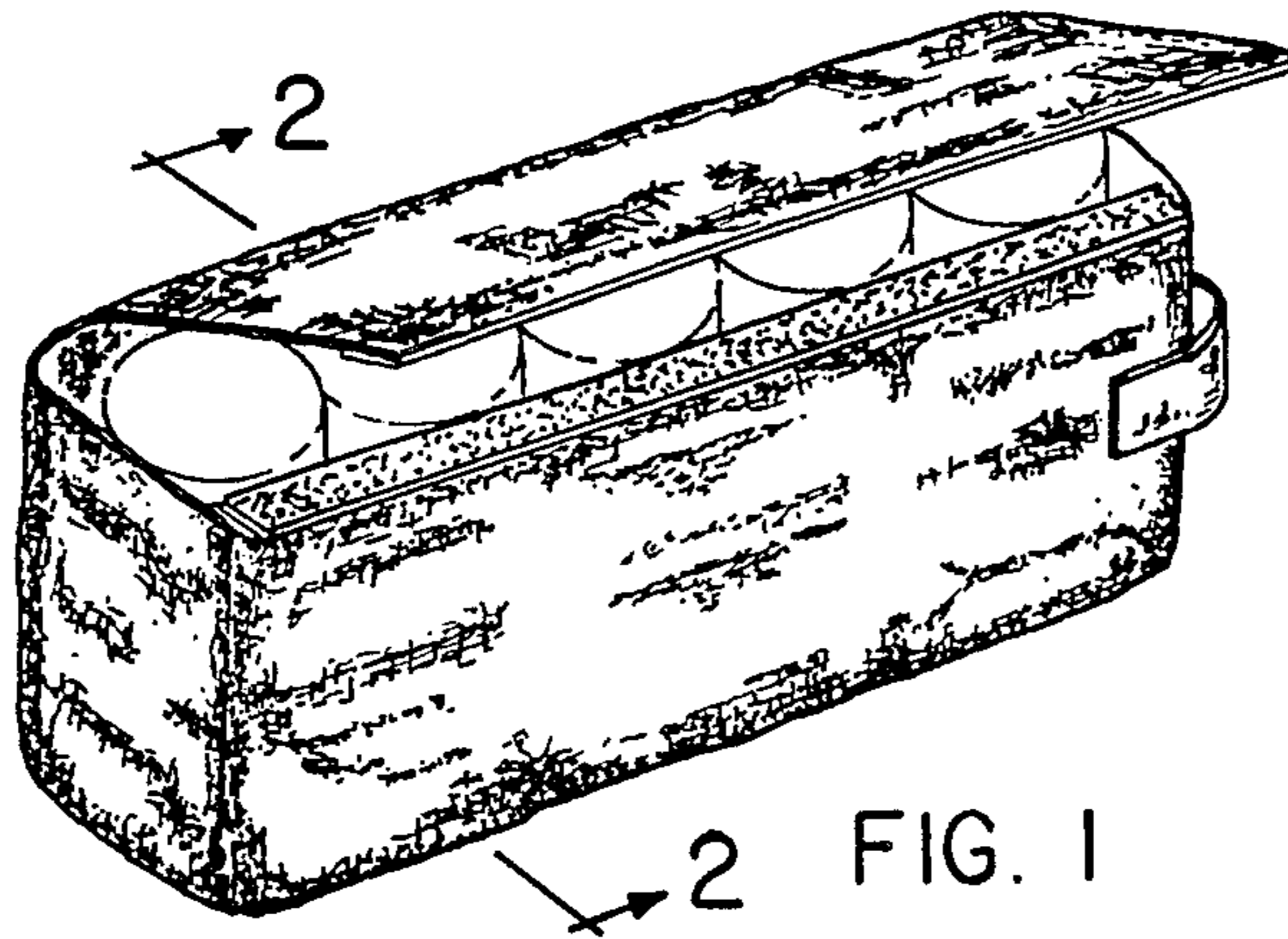


FIG. 2

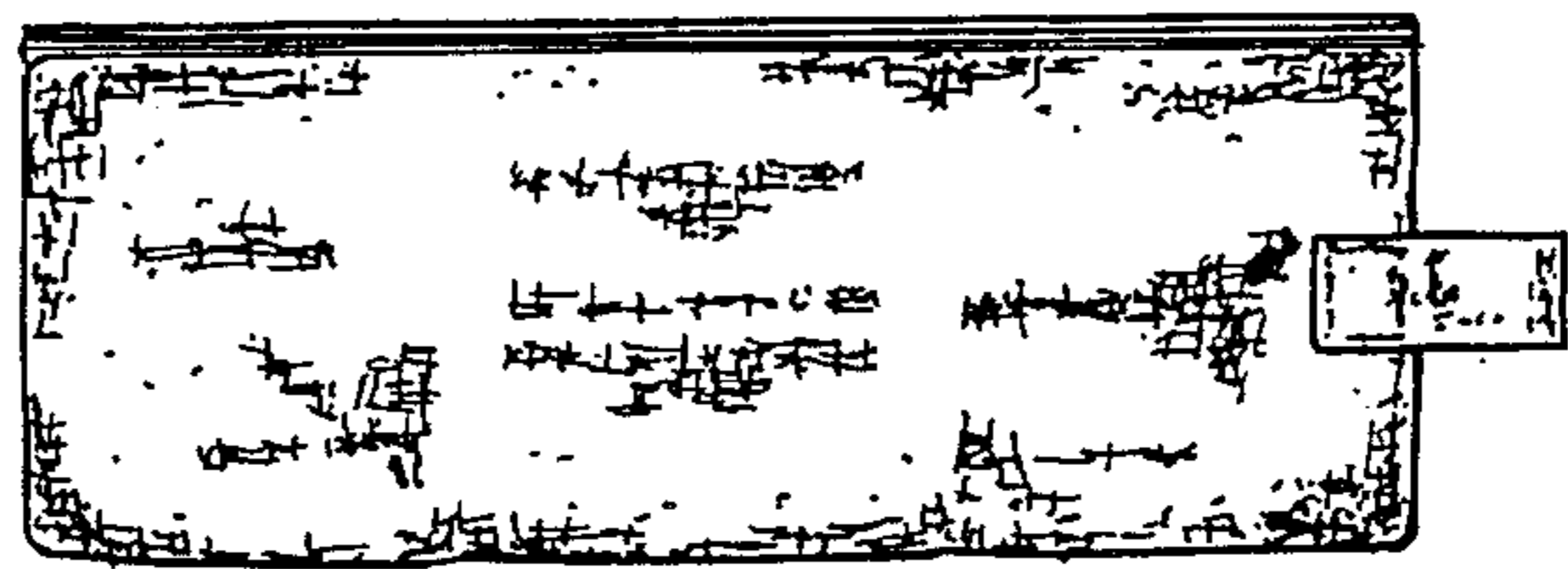


FIG. 3

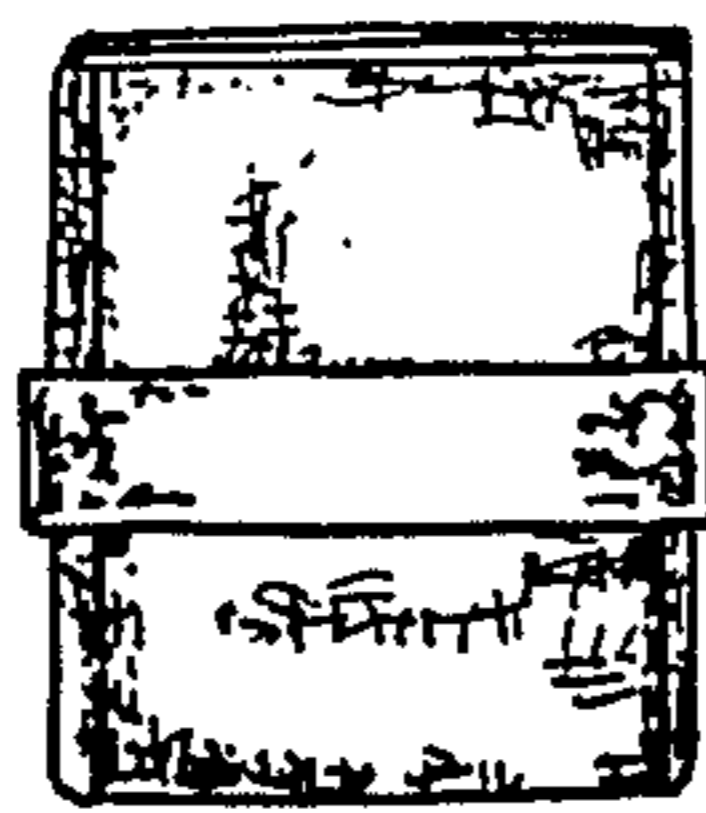


FIG. 4

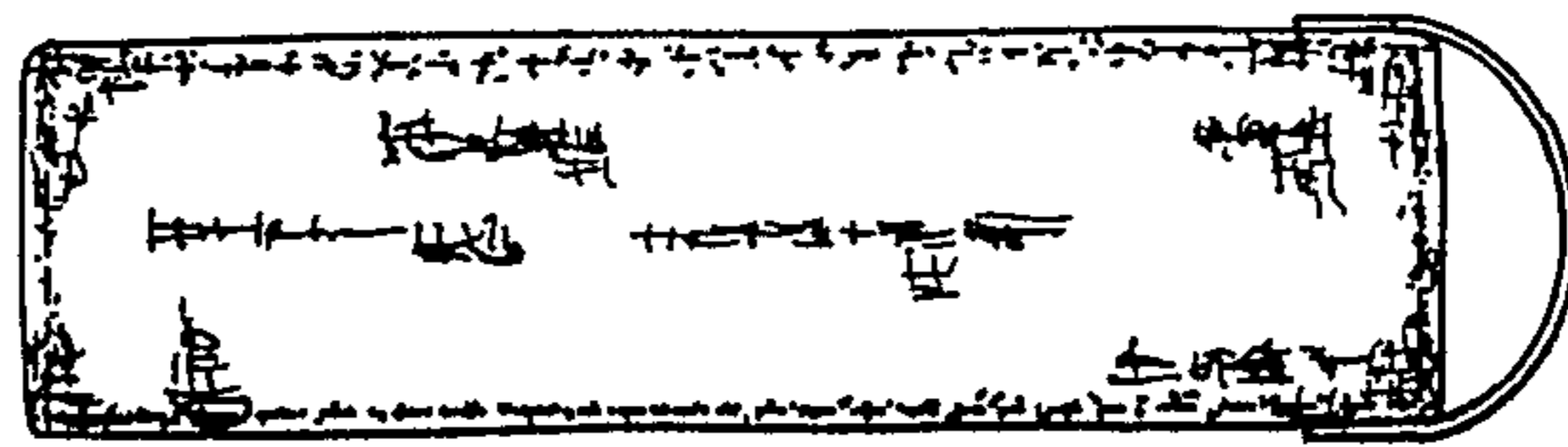


FIG. 5