

[54] COMBINED COFFEE MAKING AND HOT WATER DISPENSING MACHINE

[75] Inventor: Raymond E. Van Camp, Rochester, Ill.

[73] Assignee: Bunn-O-Matic Corporation, Springfield, Ill.

[\*\*] Term: 14 Years

[21] Appl. No.: 30,108

[22] Filed: Mar. 26, 1987

[52] U.S. Cl. .... D7/308; D7/309

[58] Field of Search ..... D7/305, 308, 309; 99/295, 304

D. 274,029 5/1984 Daugherty ..... D7/309  
3,978,778 9/1976 Roberts ..... D7/309 X  
4,178,842 12/1979 Vitous ..... 99/295 X

Primary Examiner—Winifred E. Herrmann  
Attorney, Agent, or Firm—Richard Bushnell

[57] CLAIM

The ornamental design for a combined coffee making and hot water dispensing machine, as shown and described.

DESCRIPTION

FIG. 1 is a left-front perspective view of a combined coffee making and hot water dispensing machine embodying my new design;

FIG. 2 is a front elevation thereof;

FIG. 3 is a left side elevation thereof;

FIG. 4 is a top plan view thereof;

FIG. 5 is a right side elevation thereof;

FIG. 6 is a rear elevation thereof; and

FIG. 7 is a bottom plan view thereof.

[56] References Cited

U.S. PATENT DOCUMENTS

D. 103,508 3/1937 Renner ..... D7/309  
D. 194,091 11/1962 Ruhnke ..... D7/309  
D. 225,592 12/1972 Bardeau ..... D7/309

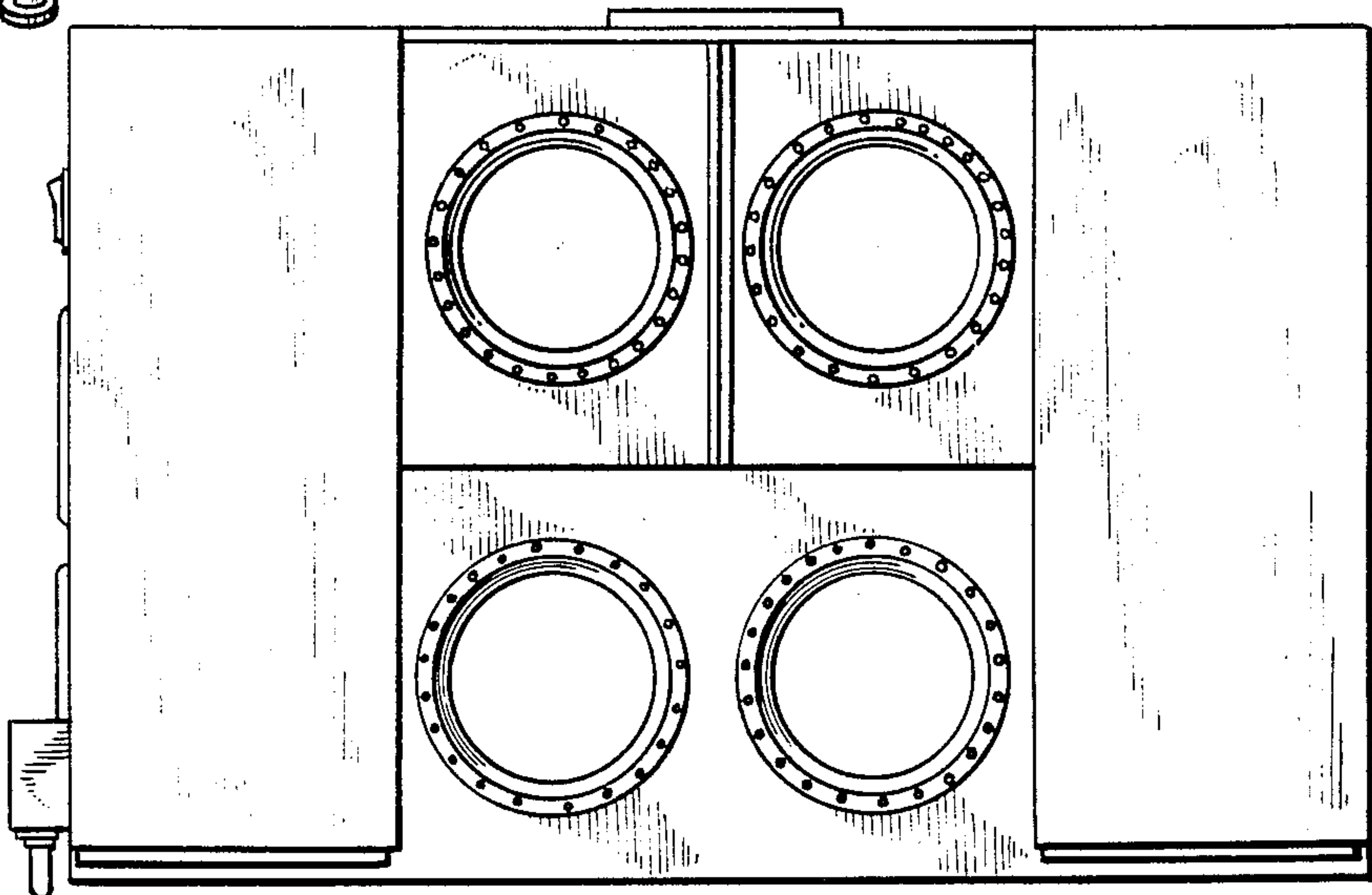
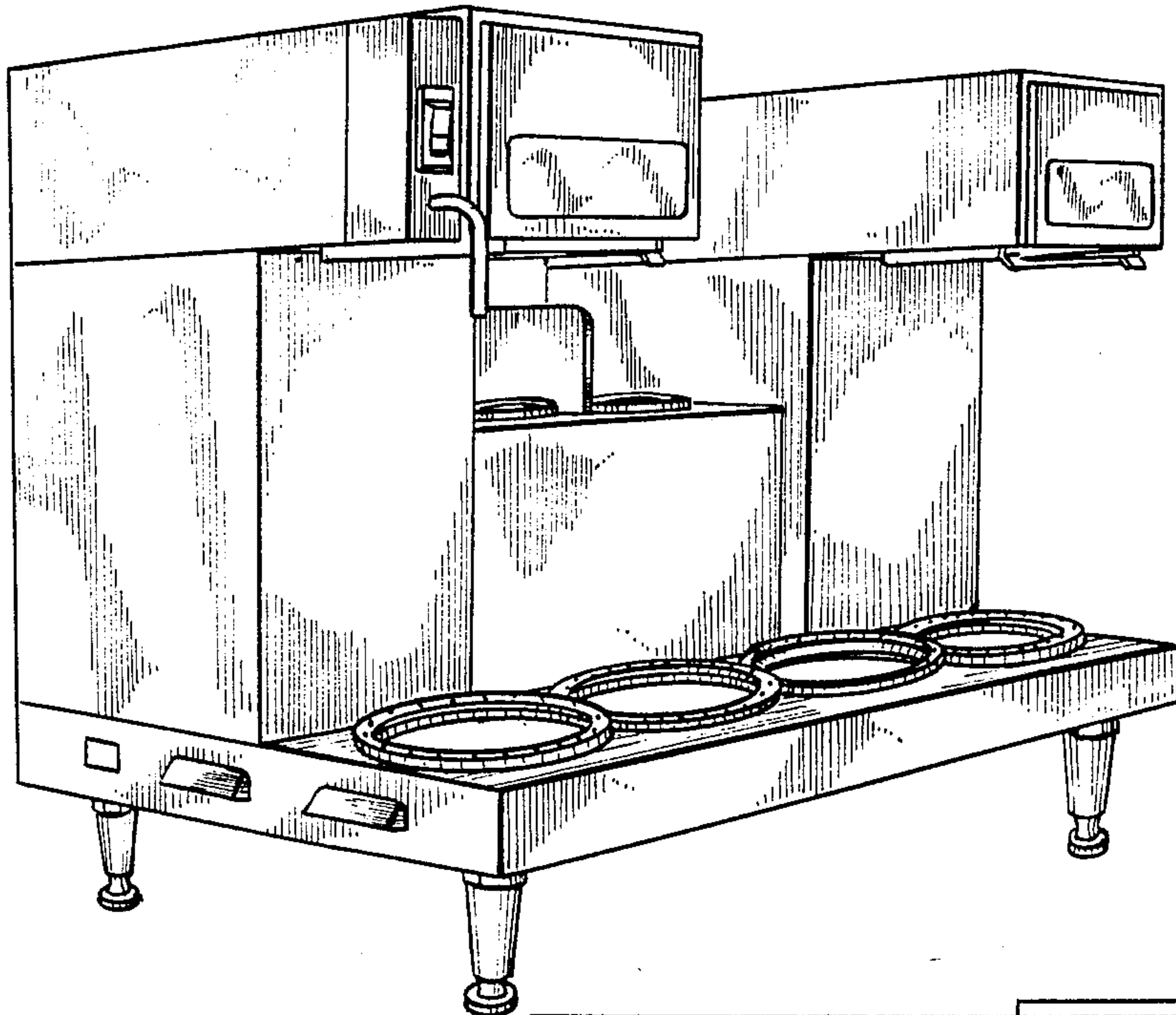


FIG. 1

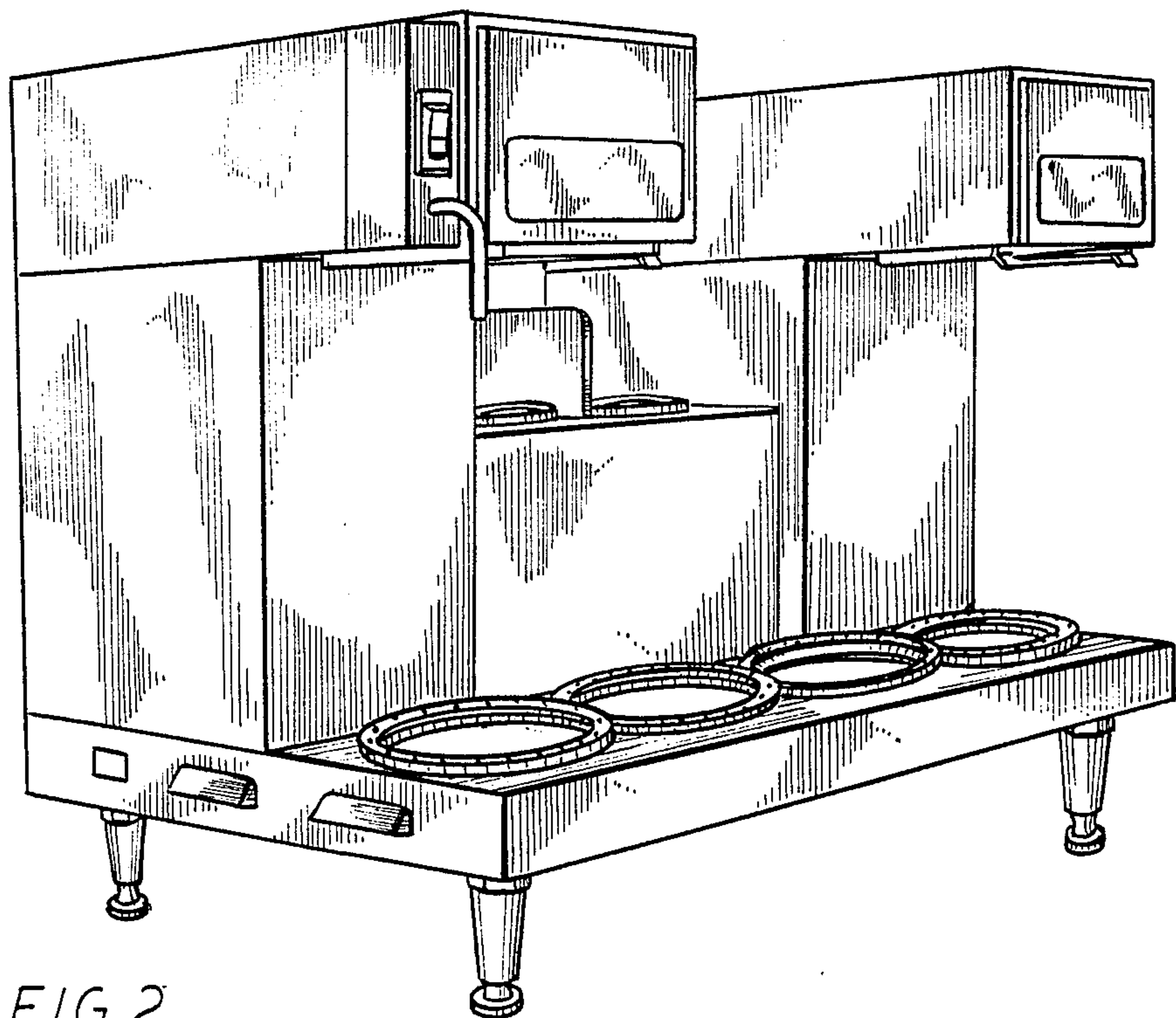


FIG. 2

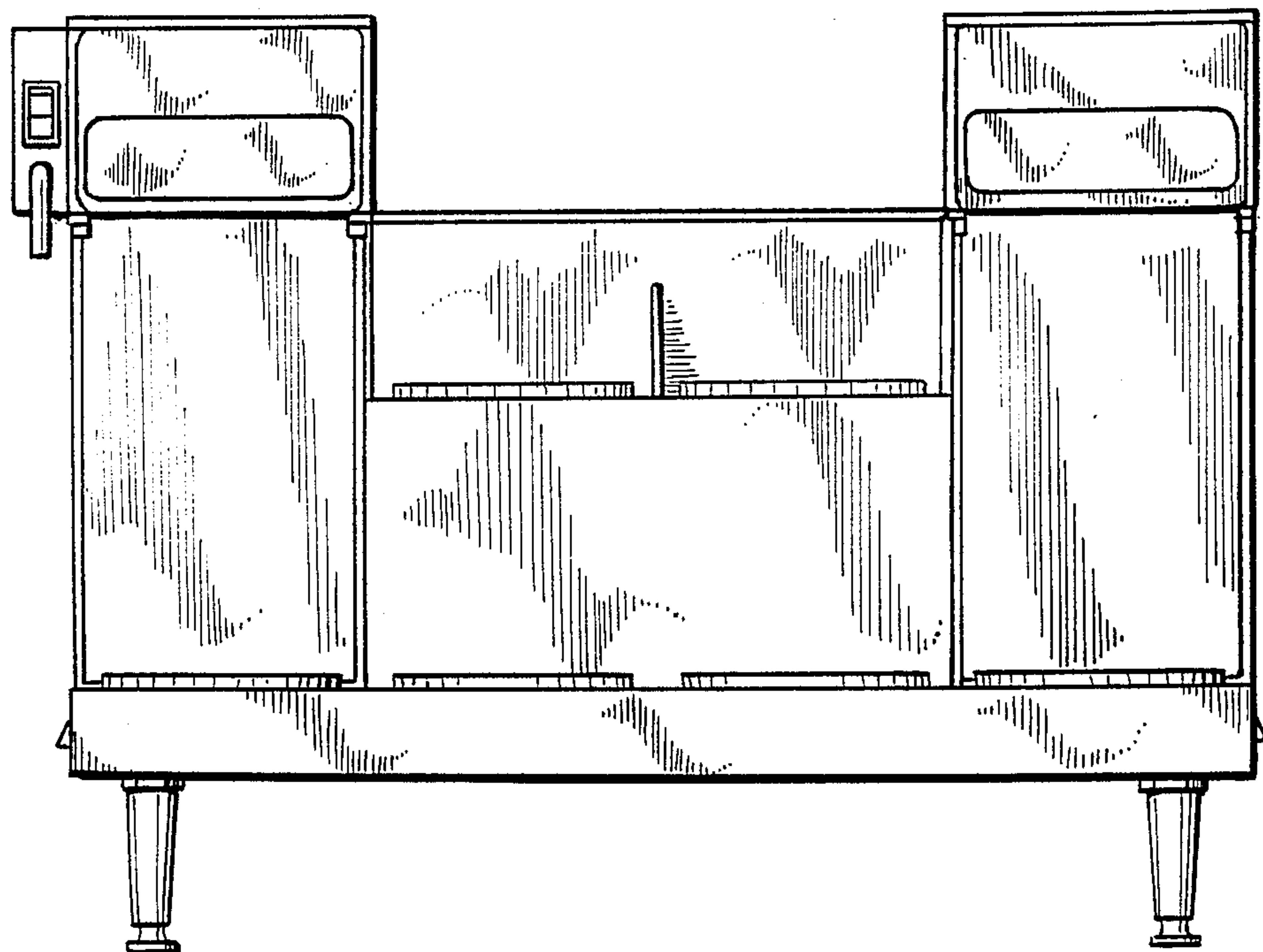


FIG. 3

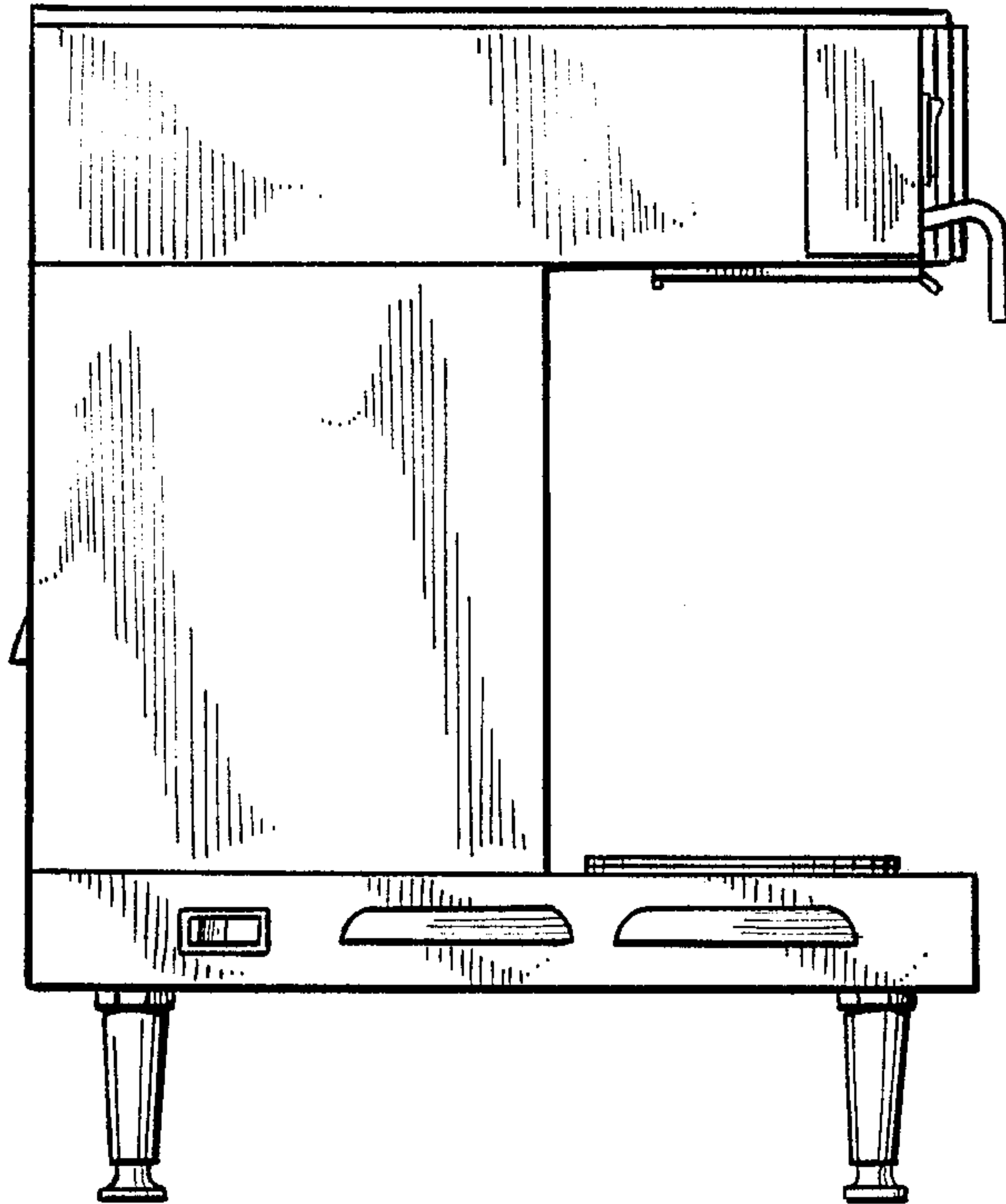


FIG. 4

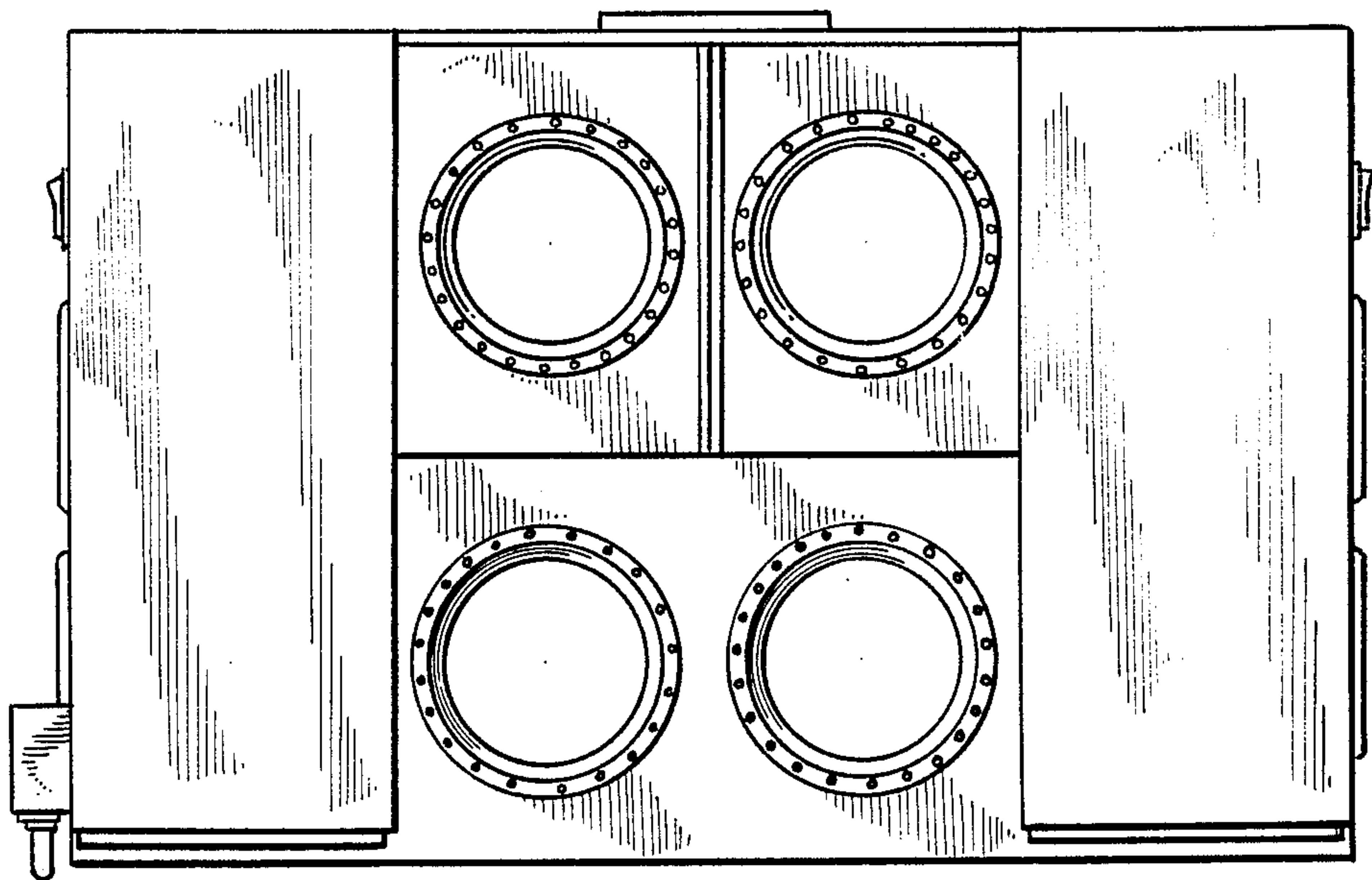


FIG. 5

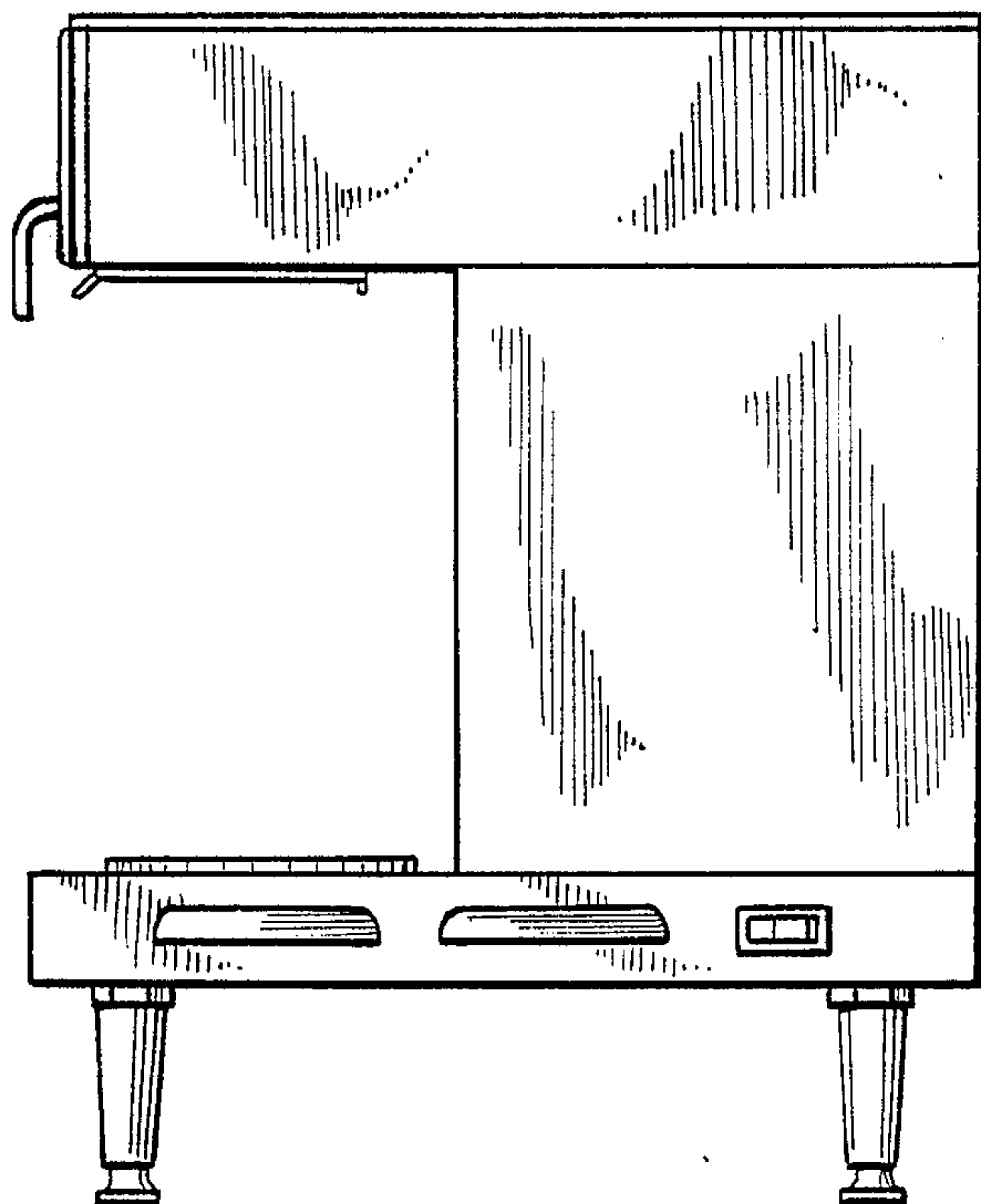


FIG. 6

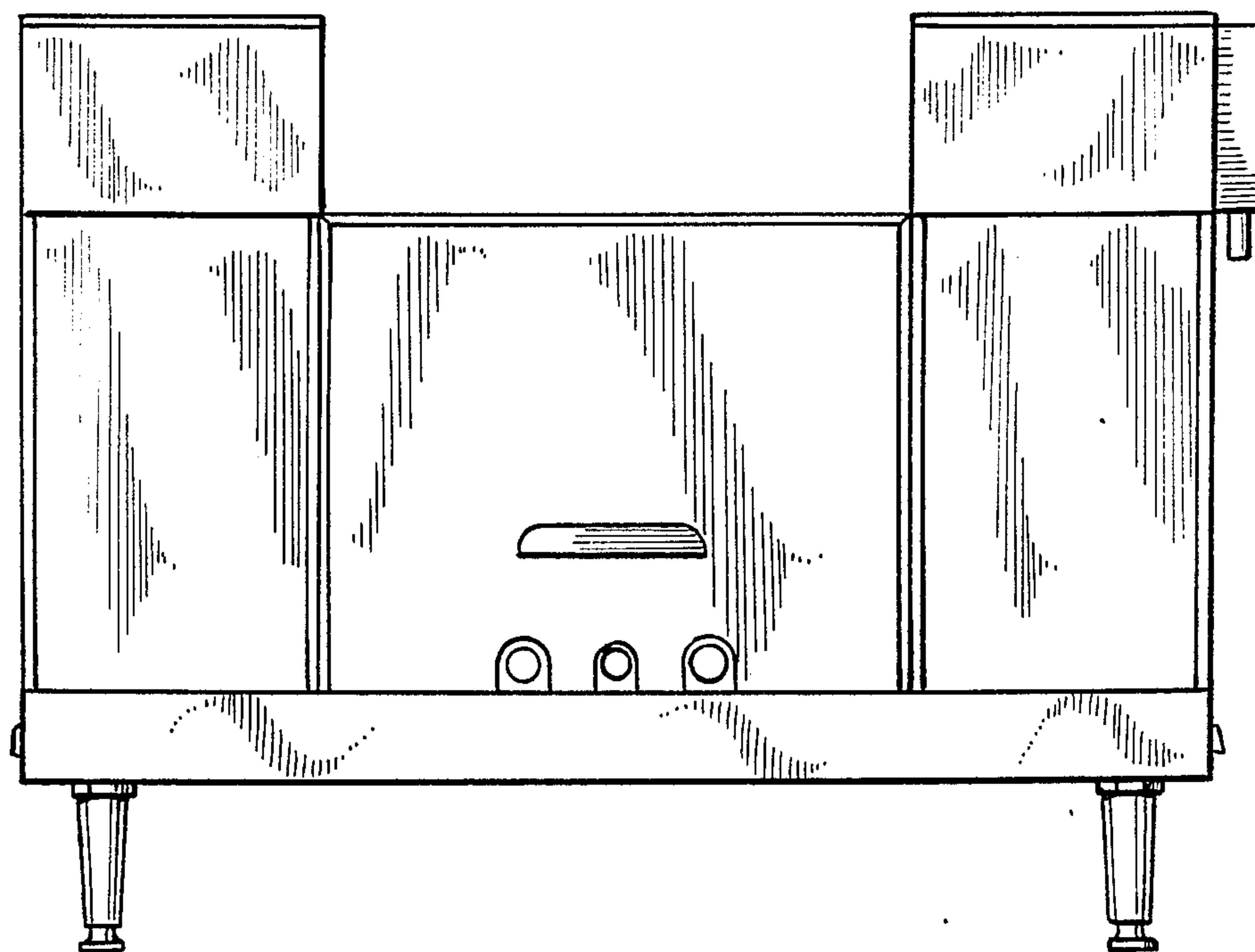




FIG. 7

