

- [54] **COMPUTER WORKSTATION**
[75] **Inventor: Carlos V. Ugalde, San Dimas, Calif.**
[73] **Assignee: Continental Engineering Group, Inc., Irwindale, Calif.**
[**] **Term: 14 Years**
[21] **Appl. No.: 233,571**
[22] **Filed: Aug. 18, 1988**
[52] **U.S. Cl. D6/474; D6/425; D34/21**
[58] **Field of Search D6/419-428, D6/429-431, 437, 474; 312/194-196; 400/639-691; D34/119, 120, 121**

[56] **References Cited**
U.S. PATENT DOCUMENTS

- | | | | |
|------------|---------|-----------------|----------|
| D. 160,226 | 9/1950 | Stewart . | |
| D. 284,337 | 6/1986 | Papich et al. . | |
| D. 287,319 | 12/1986 | Ugalde | D6/425 X |
| 3,151,576 | 10/1964 | Patterson . | |
| 3,246,612 | 4/1966 | Ballas . | |
| 4,313,112 | 1/1982 | Foster . | |
| 4,523,722 | 6/1985 | Cohen et al. . | |
| 4,640,199 | 2/1987 | Zigman . | |
| 4,681,378 | 7/1987 | Hellman, III . | |
| 4,736,689 | 4/1988 | Stanko . | |
| 4,755,009 | 7/1988 | Price et al. . | |
| 4,755,010 | 7/1988 | Wilson et al. . | |

OTHER PUBLICATIONS

- The Brevet Collection Catalog, p. 13, item C.
Global Computer Supp. Catalog, ©1985, p. 76, printer stand.
Devoke Data Products Catalog, Fall/Winter 1984, p. 3.
Wright Line Brochure 1984.
Nelson Brochure 1985.
The Office Catalog, Jul. 1984, p. 144.
Nelson Advertisement 1984.

- The Office Catalog, Apr. 1984, p. 224.
The Office Catalog, Jun. 1984, p. 177.
The Office Catalog, Dec. 1984, p. 124.
The Office Catalog, Jul. 1985, p. 126.
The Office Catalog, Apr. 1985, p. 242.
Hamilton Sorter Co. Inc. advertisement.
The Office Catalog, Aug. 1984, p. 150.
The Office Catalog, Sep. 1984, p. 228.
Viking PC-100 Workstation Brochure (2 pages-not numbered).
Viking PC-Mate 1 Brochure (2 pages-not numbered).
Jax International Brochure (2 pages-not numbered).
Global Catalog, Jan. 1989, pp. 112, 117, 124, 127, 129, 145 (6 pages).
Devoke Data Products Catalog, Winter 1989, pp. 17, 18, 20, 34 (4 pages).

Primary Examiner—Bruce W. Dunkins
Assistant Examiner—Jeffrey Asch
Attorney, Agent, or Firm—Christie, Parker & Hale

[57] **CLAIM**

The ornamental design for a computer workstation, as shown and described.

DESCRIPTION

- FIG. 1 is a front perspective view of a computer workstation showing my new design with a computer and related articles being shown in broken lines for illustrative purposes only.
FIG. 2 is a front perspective view thereof.
FIG. 3 is a top plan view thereof.
FIG. 4 is a front elevational view thereof.
FIG. 5 is a rear elevational view thereof.
FIG. 6 is a bottom plan view thereof.
FIG. 7 is a right side elevational view, the left side being a mirror image thereof.
FIG. 8 is a rear perspective view thereof.
FIG. 9 is a vertical sectional view thereof.

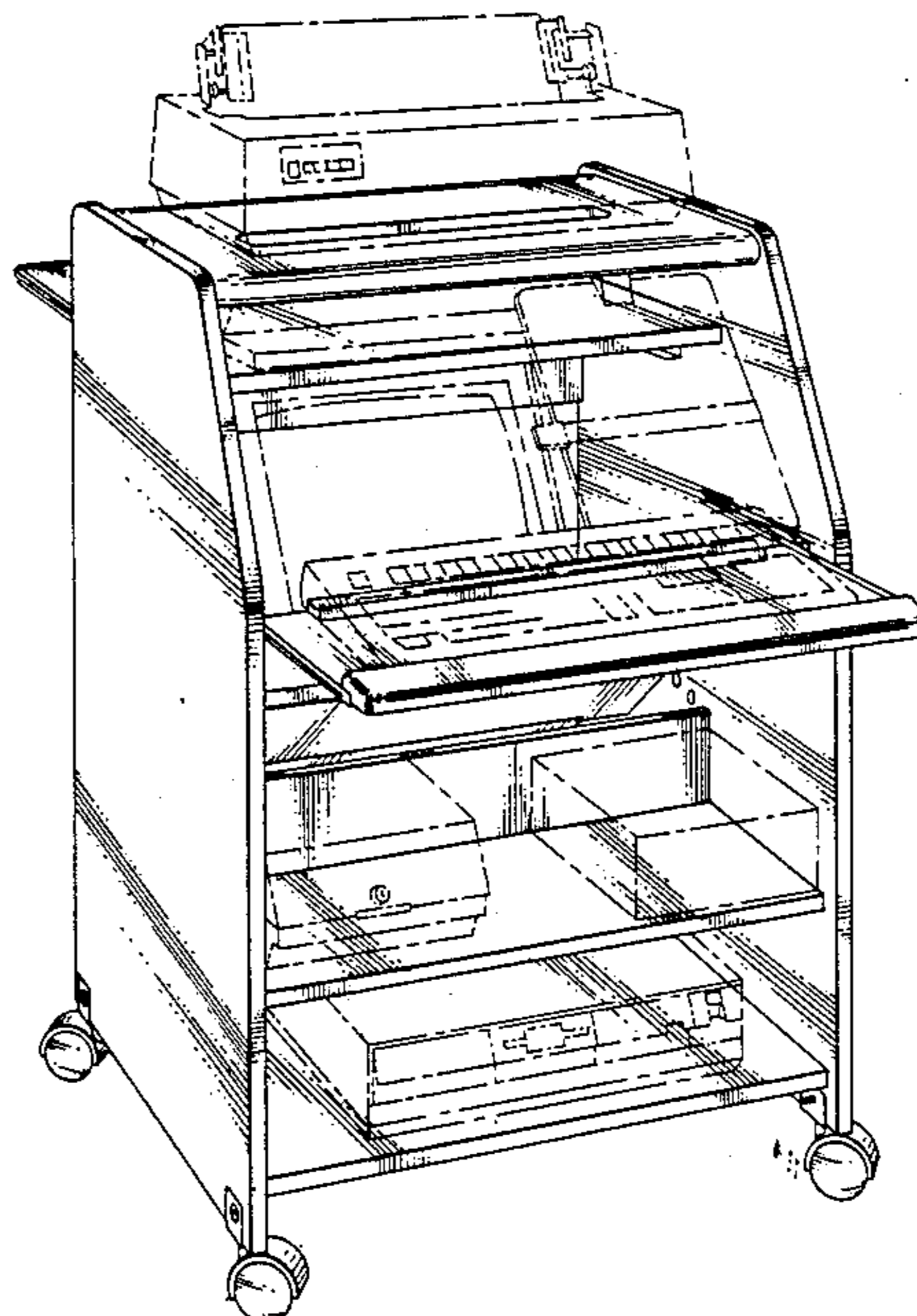


Fig. 1

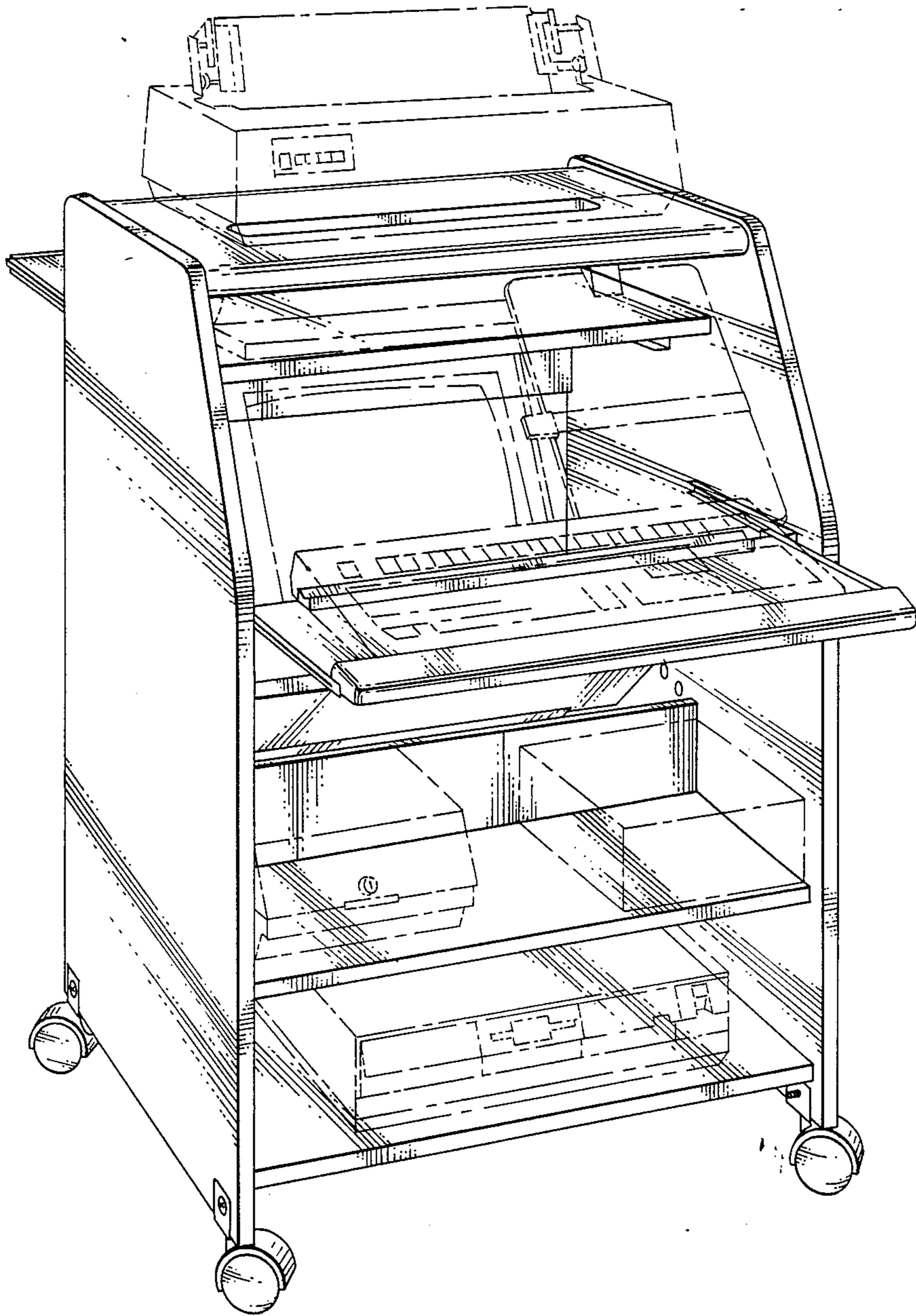


Fig. 2

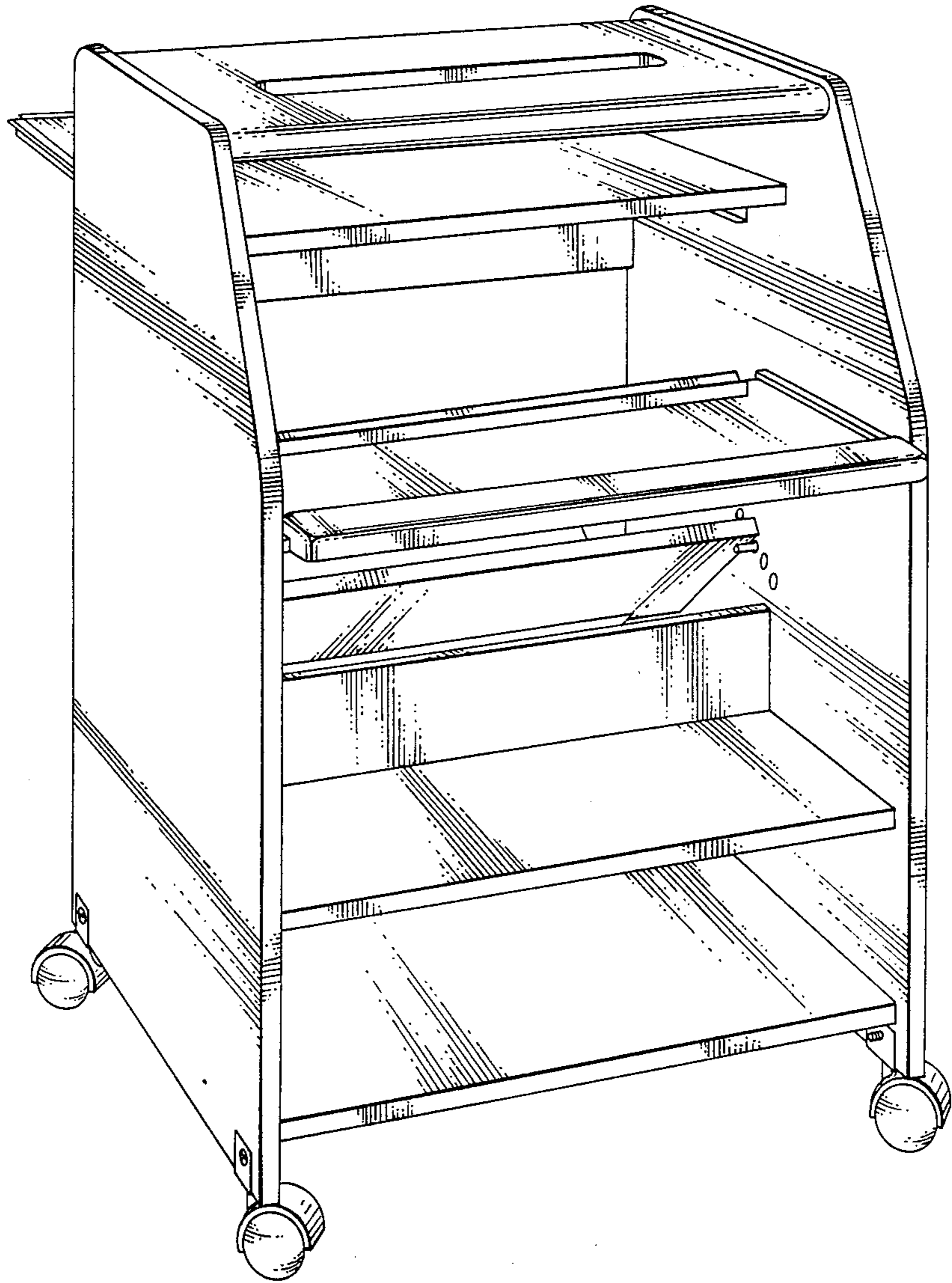


Fig. 3

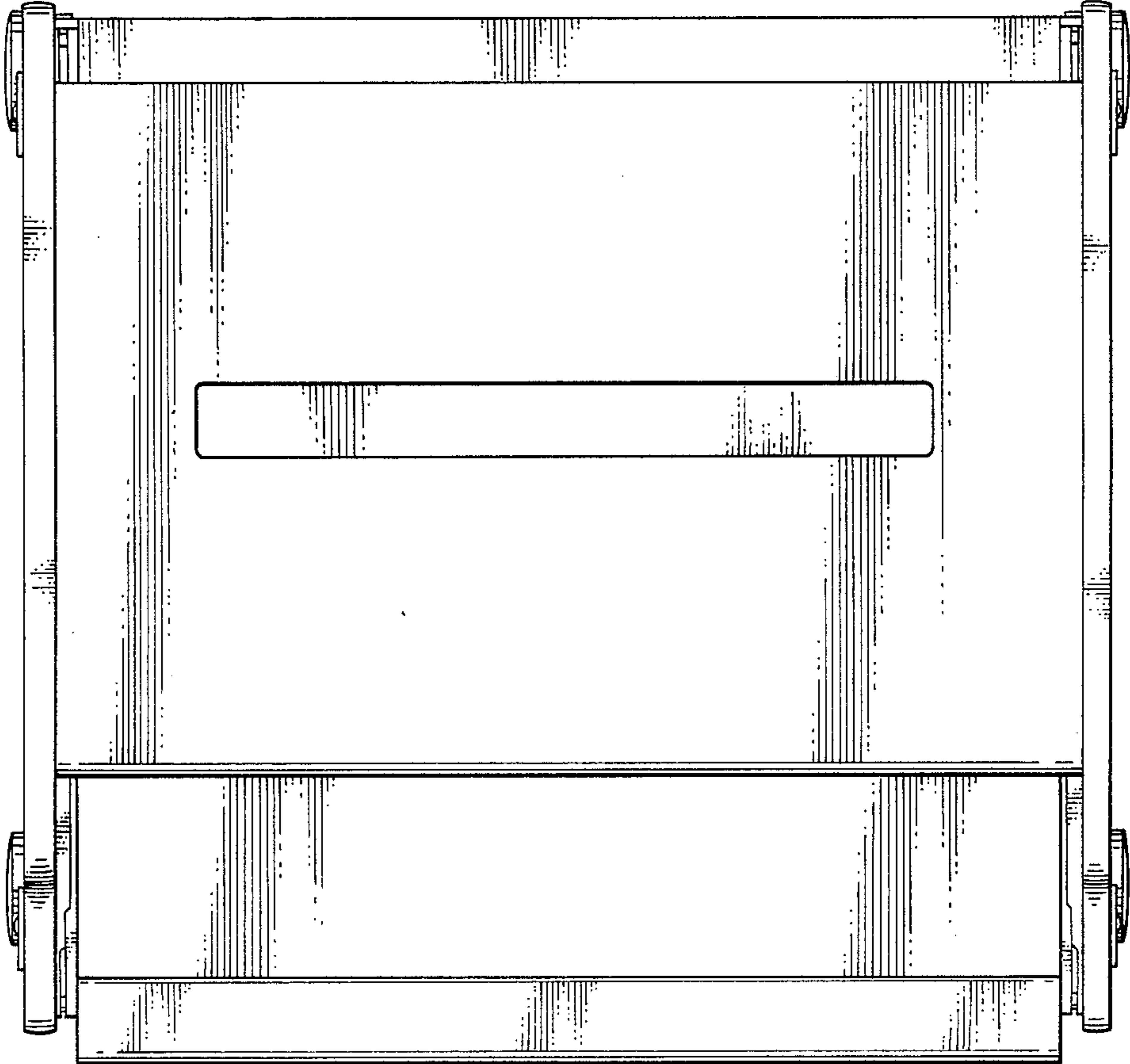


Fig. A

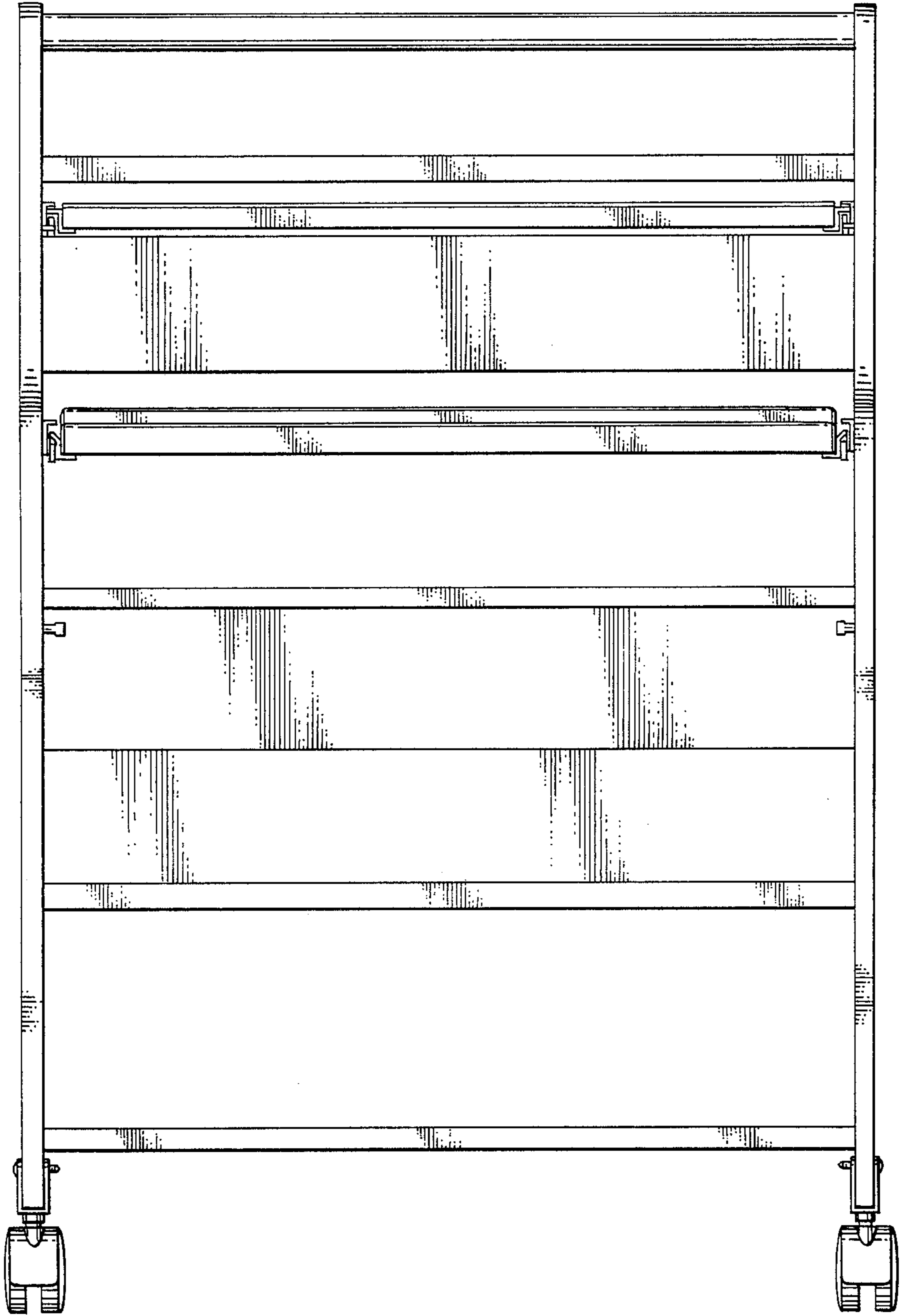


Fig. 5

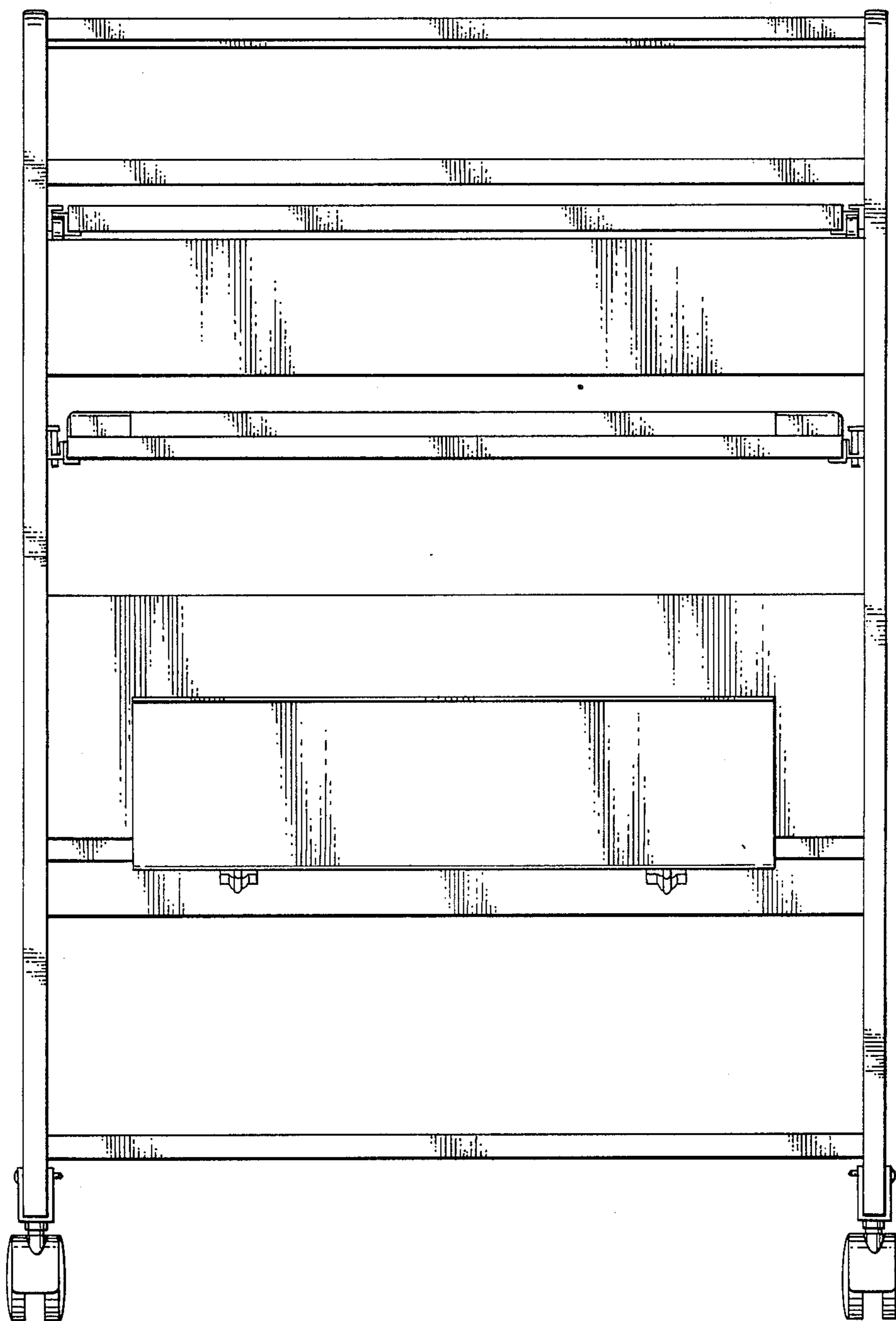


Fig. 6

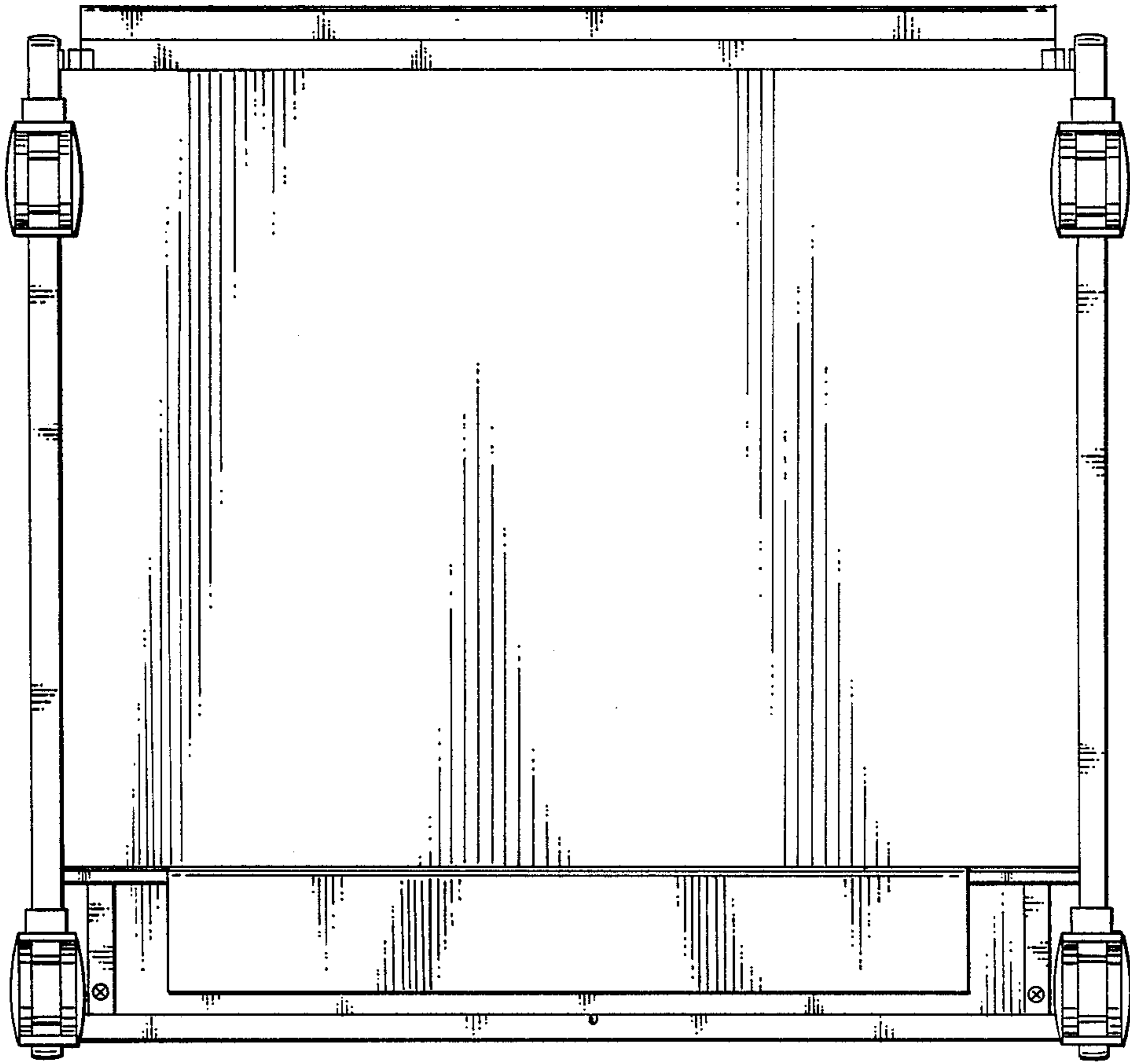


Fig. 7

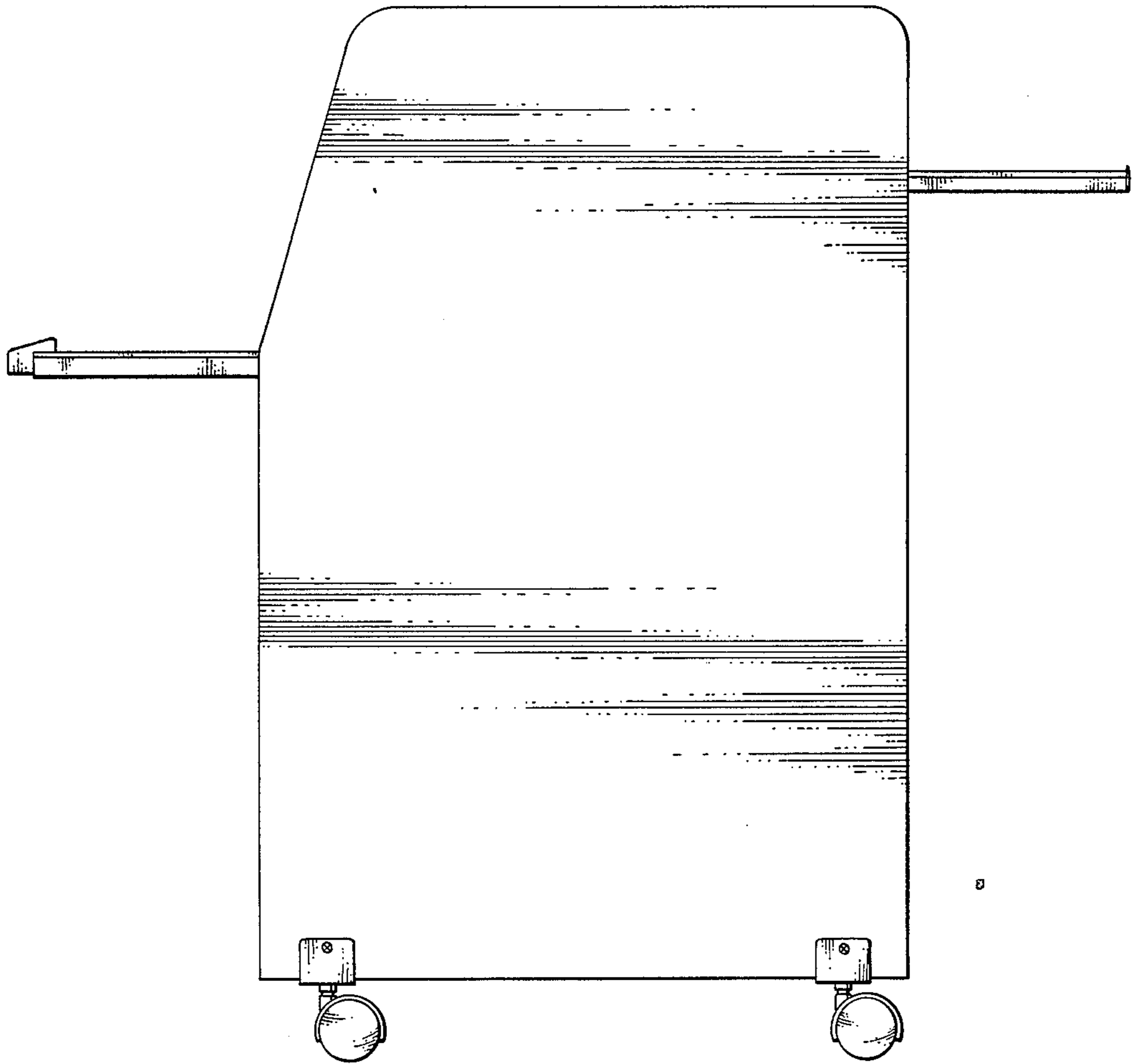


Fig. 8

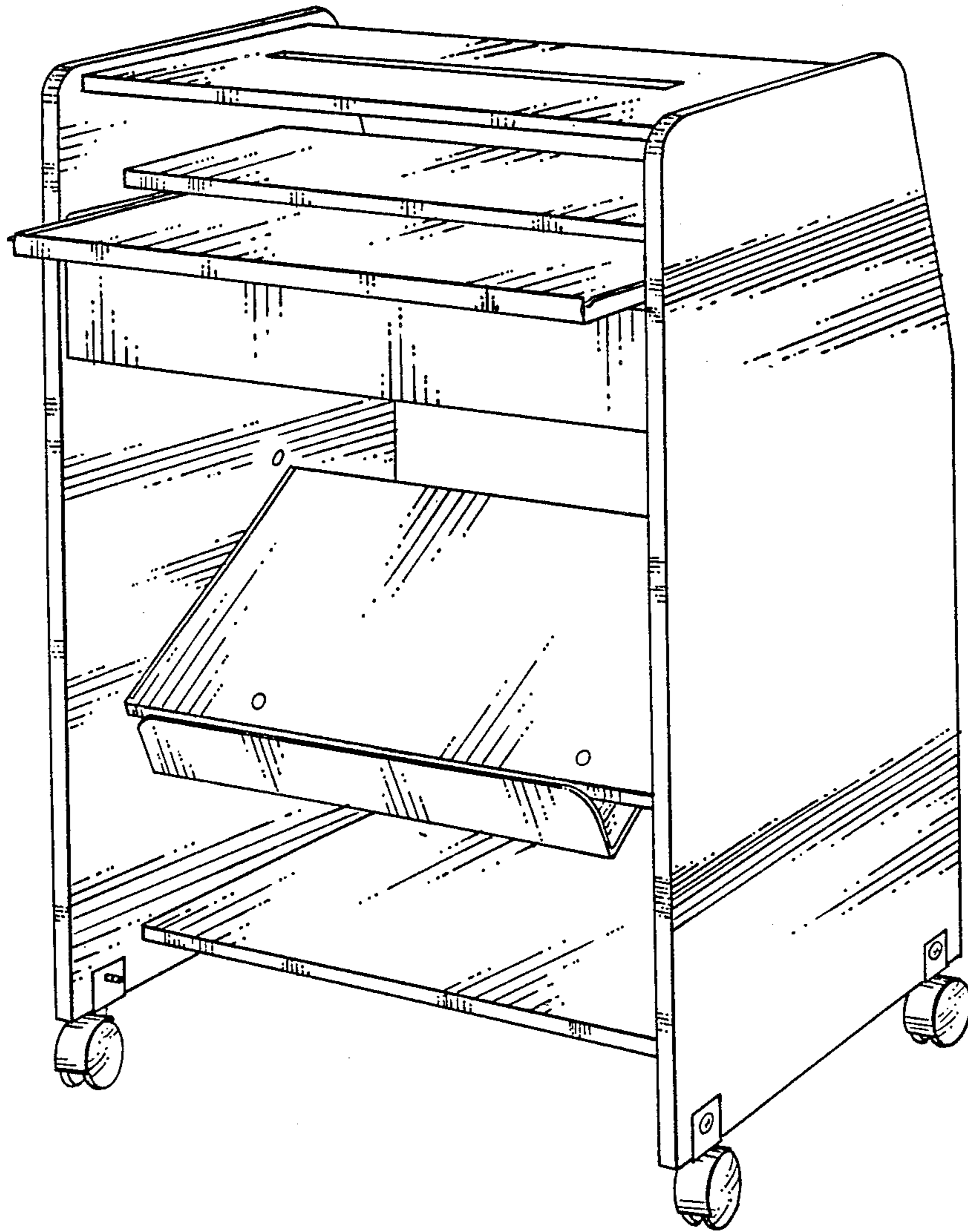


Fig. 9

