

[54] ROTATABLE GARMENT STAND

[76] Inventor: Kil J. Lee, 508 Crocker Ave., Pacific Grove, Calif. 93950

[**] Term: 14 Years

[21] Appl. No.: 48,071

[22] Filed: May 11, 1987

[52] U.S. Cl. D6/415

[58] Field of Search D6/411, 415, 410, 462, D6/466, 467

D. 228,541 10/1973 Cohen D6/415 X
D. 238,405 1/1976 Athey D6/415
D. 253,077 10/1979 Wolf D6/415 X

Primary Examiner—Bruce W. Dunkins
Assistant Examiner—Jeffrey Asch
Attorney, Agent, or Firm—William H. Pavitt, Jr.; Ralf H. Siegemund; Daniel L. Dawes

[57] CLAIM

The ornamental design for a rotatable garment stand, as shown and described.

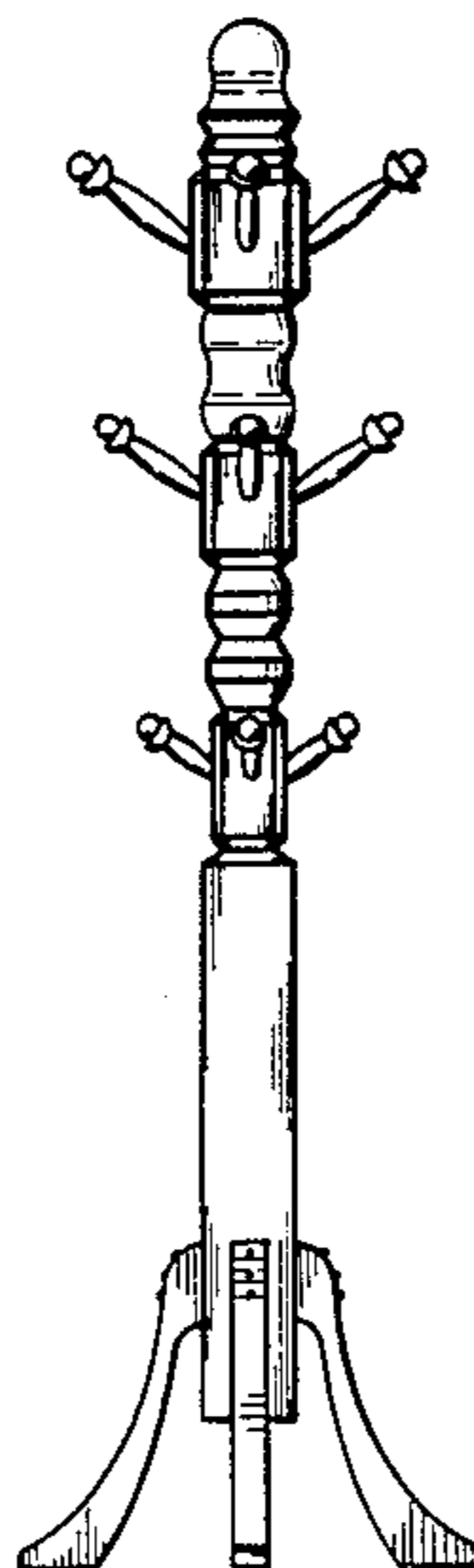
[56] References Cited

U.S. PATENT DOCUMENTS

- D. 47,801 9/1915 Ramsing D6/411 X
- D. 57,382 3/1921 Schmeidler D6/411
- D. 127,028 5/1941 Warren D6/415 X
- D. 189,724 2/1961 Herrick D6/415 X

DESCRIPTION

FIG. 1 is a side elevational view of a rotatable garment stand showing my new design, the undisclosed sides being the same in appearance as the side shown. FIG. 2 is a top plan view thereof; and FIG. 3 is a bottom plan view thereof.



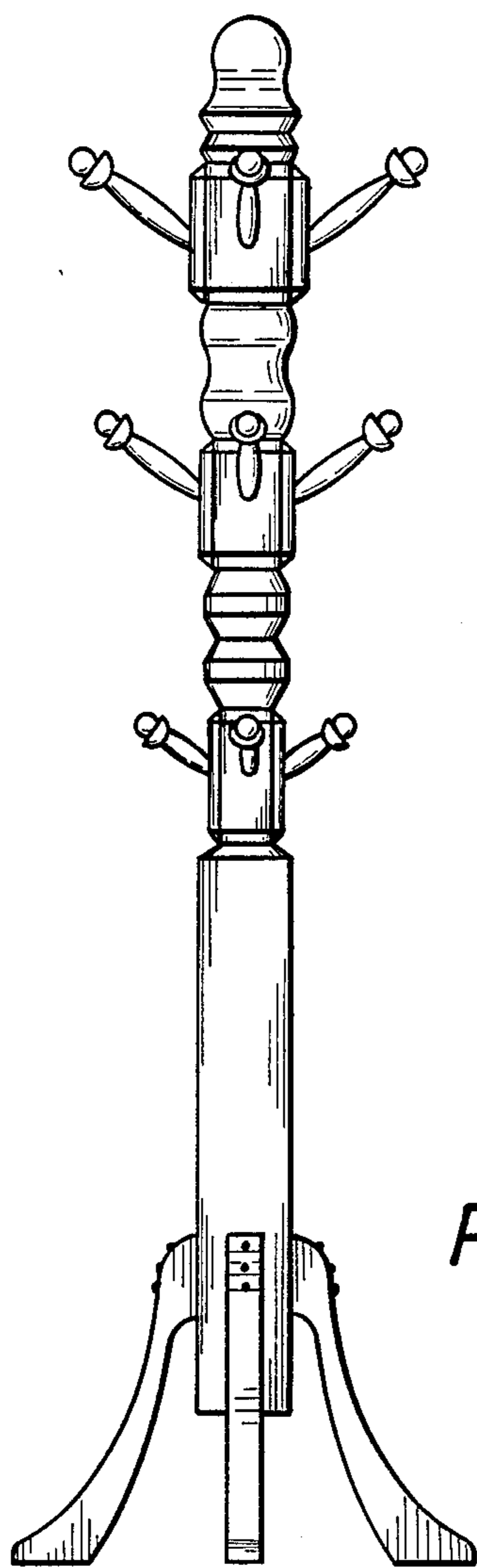


FIG. 1

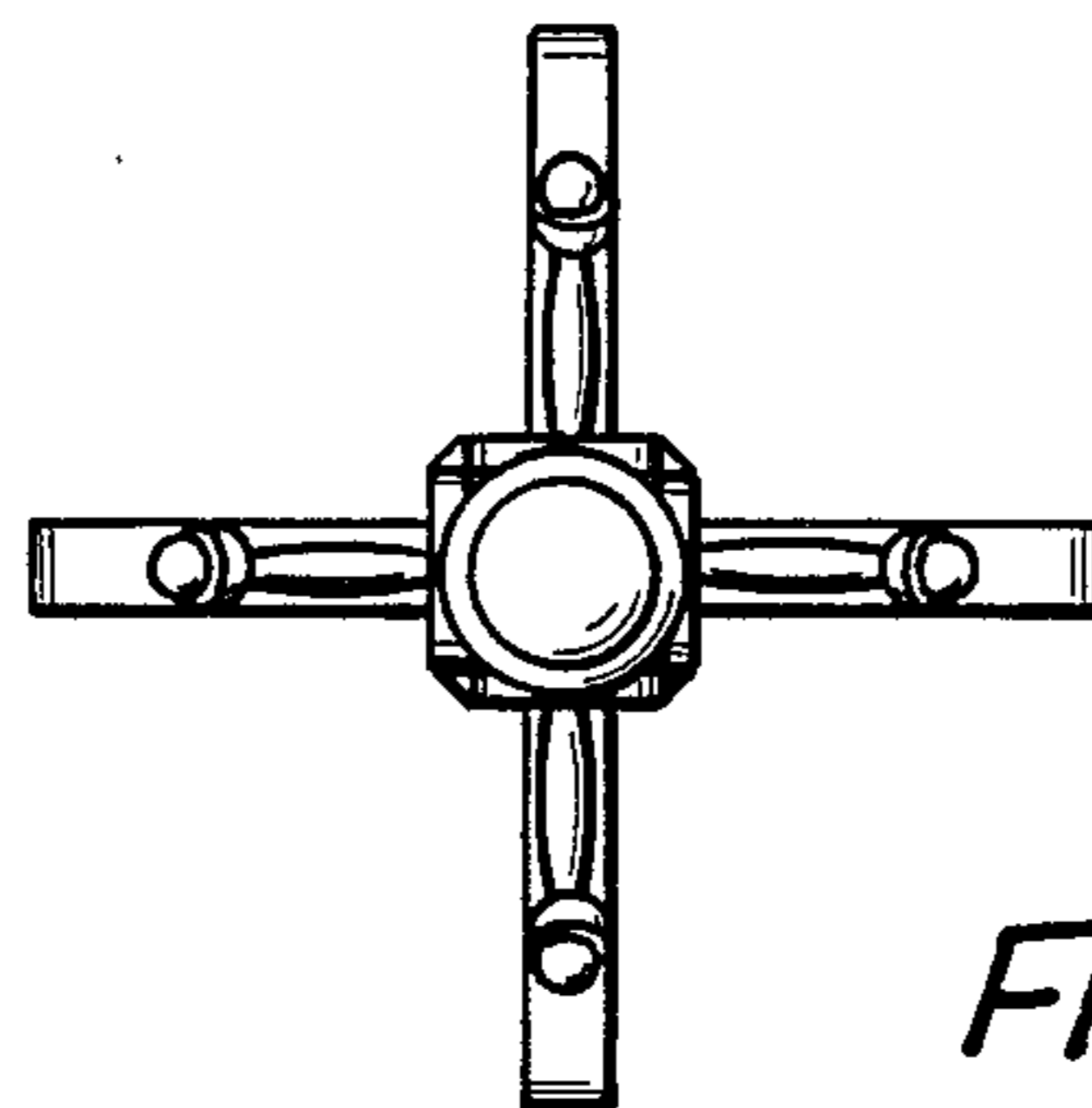


FIG. 2

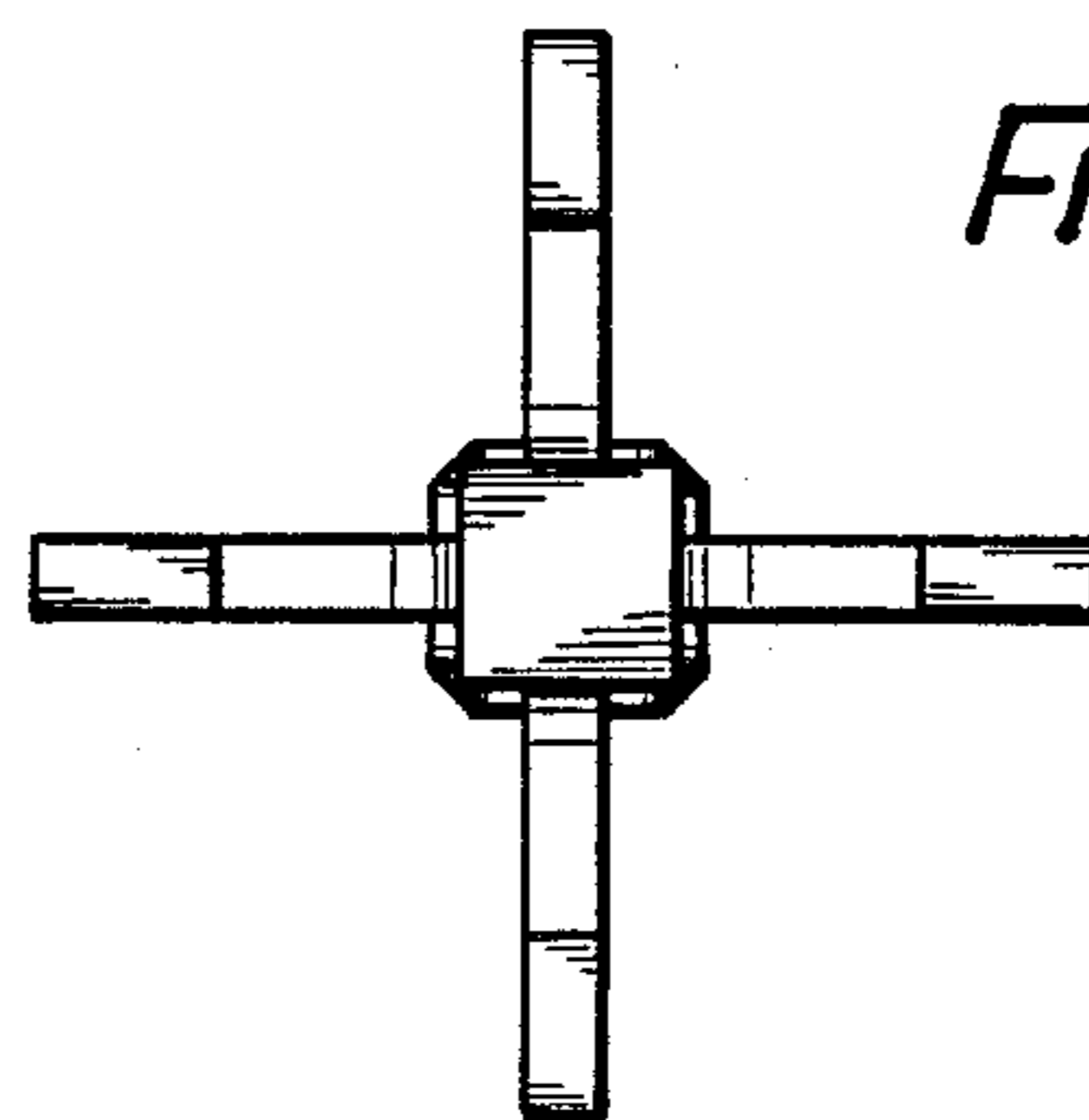


FIG. 3