

[54] **SEAT**
[75] **Inventor: John Behringer, North Kingstown, R.I.**
[73] **Assignee: J.G. Furniture Systems, Inc., Quakerstown, Pa.**
[*] **Notice: The portion of the term of this patent subsequent to Jun. 16, 2004 has been disclaimed.**
[**] **Term: 14 Years**
[21] **Appl. No.: 3,914**
[22] **Filed: Jan. 16, 1987**
[52] **U.S. Cl. D6/366**
[58] **Field of Search D6/366, 375, 379**

D. 295,588 5/1988 Heitlinger et al. D6/379
D. 298,190 10/1988 Komai et al. D6/379

OTHER PUBLICATIONS

Interiors, Apr. 1976, p. 7, Chair, right of page.
Interiors, May 1982, p. 89, Chair, top right corner.

Primary Examiner—Bruce W. Dunkins
Assistant Examiner—Ann Hunt
Attorney, Agent, or Firm—Nixon & Vanderhye

[57] **CLAIM**

The ornamental design for a seat, as shown and described.

DESCRIPTION

FIG. 1 is a perspective view of the seat showing my new design;
FIG. 2 is a front elevational view;
FIG. 3 is a left side elevational view;
FIG. 4 is a right side elevational view;
FIG. 5 is a rear elevational view; and
FIG. 6 is a top plan view thereof.
The seat base depicted in dotted lines is for illustrative purposes only.

[56] **References Cited**
U.S. PATENT DOCUMENTS
D. 205,657 9/1966 Zanuso D6/375
D. 218,159 7/1970 Harlang et al. D6/366
D. 233,807 12/1974 Ruf D6/366
D. 239,791 5/1976 Alessandri D6/366

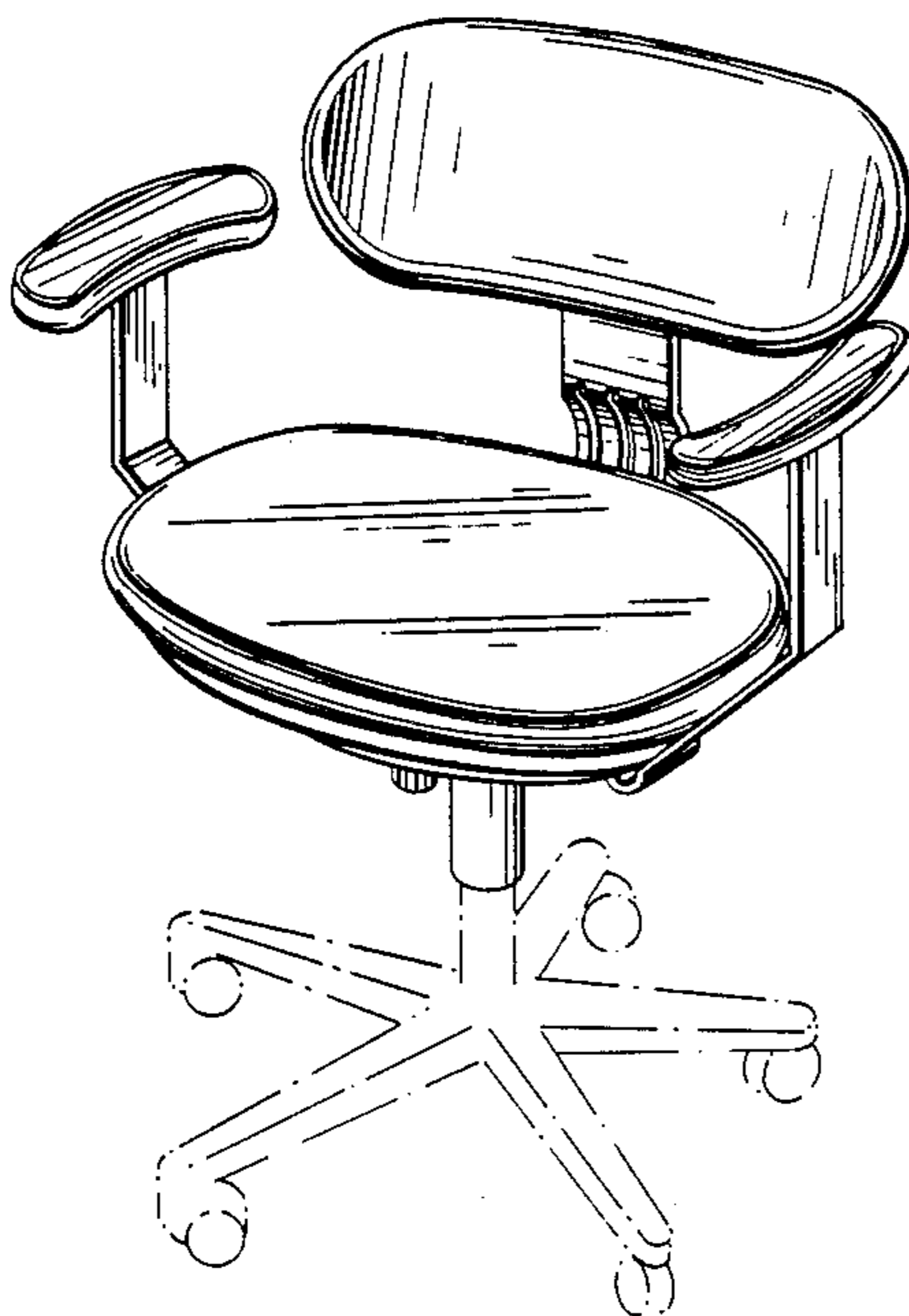


FIG. 1

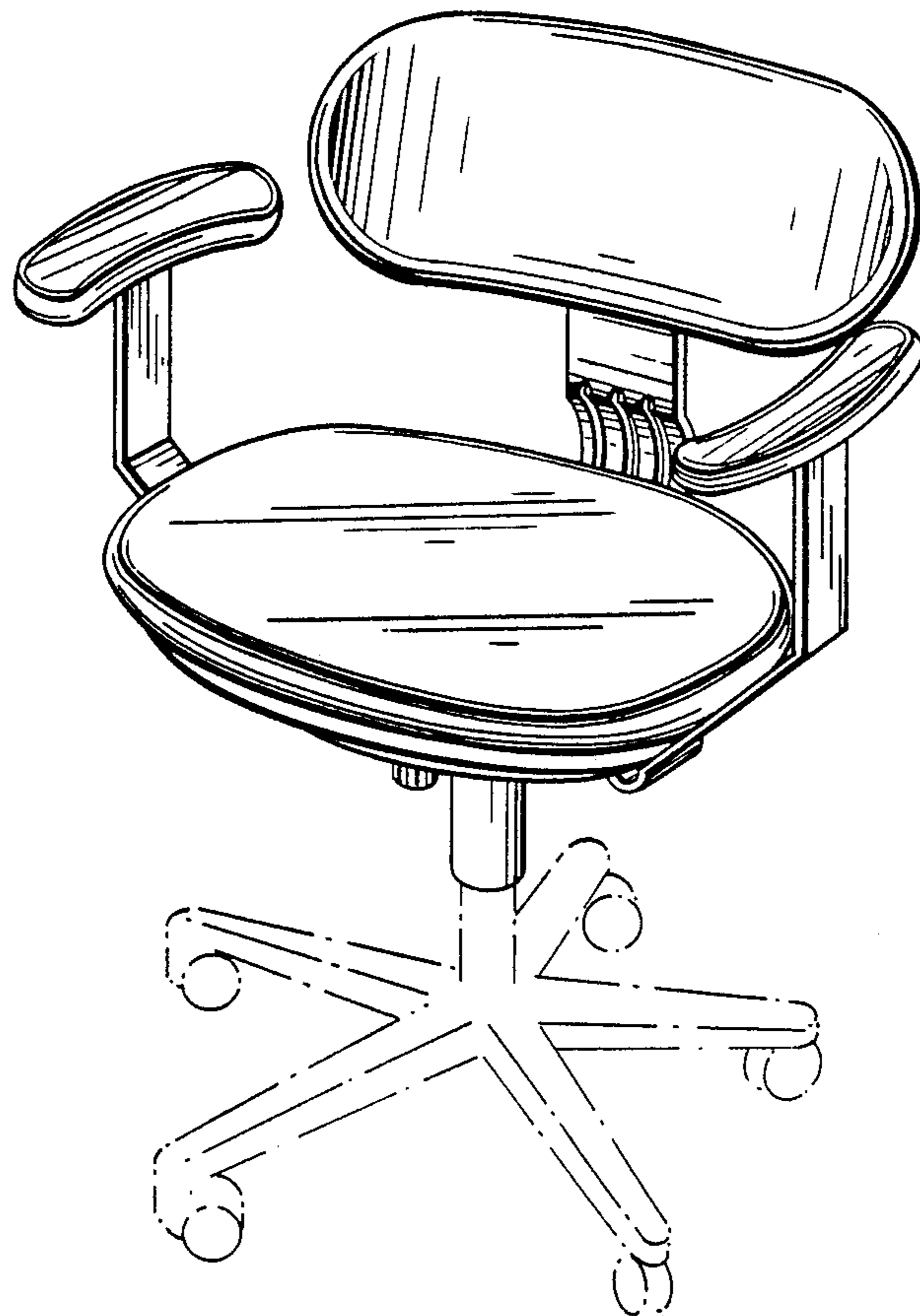


FIG. 2

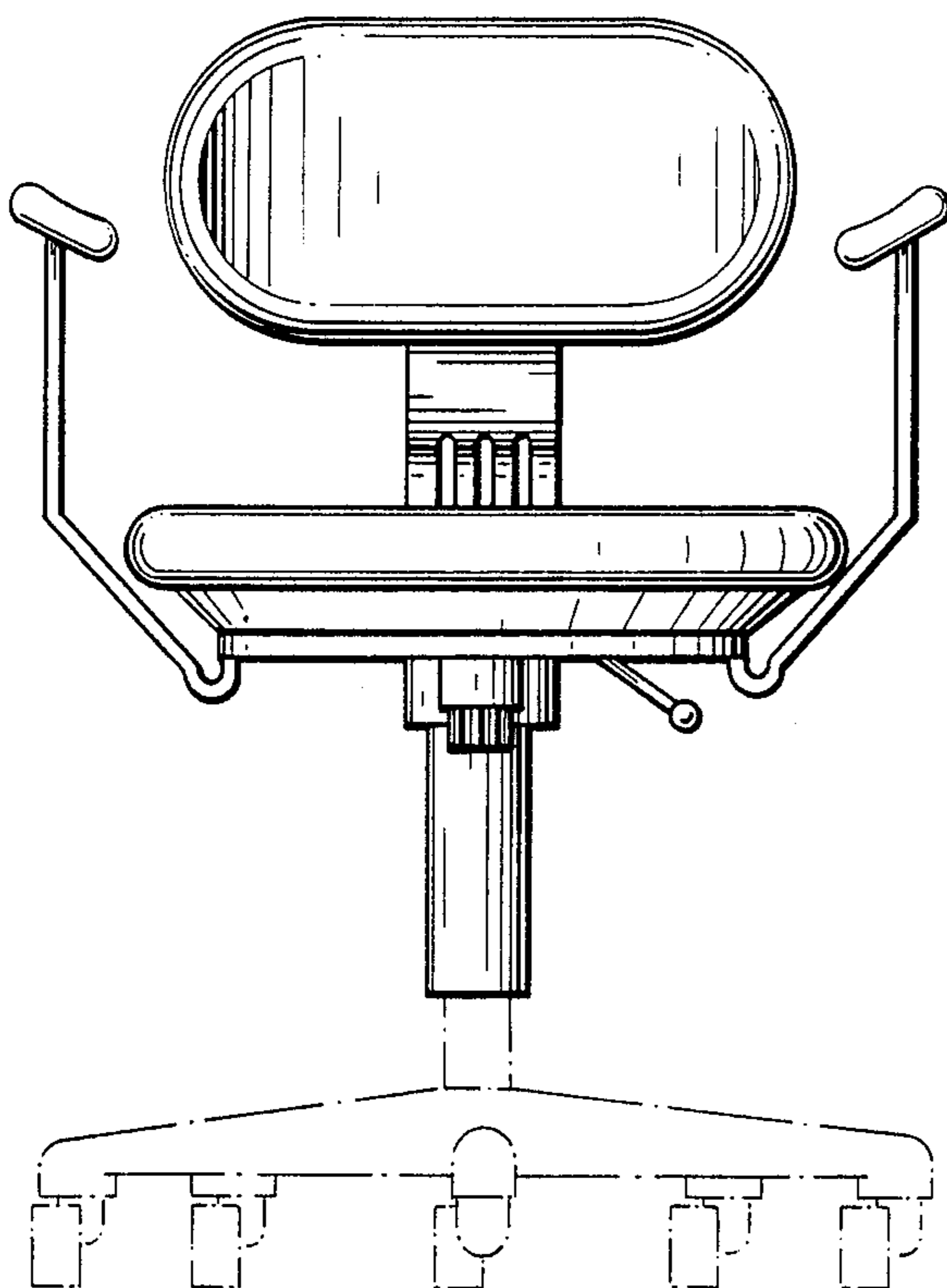
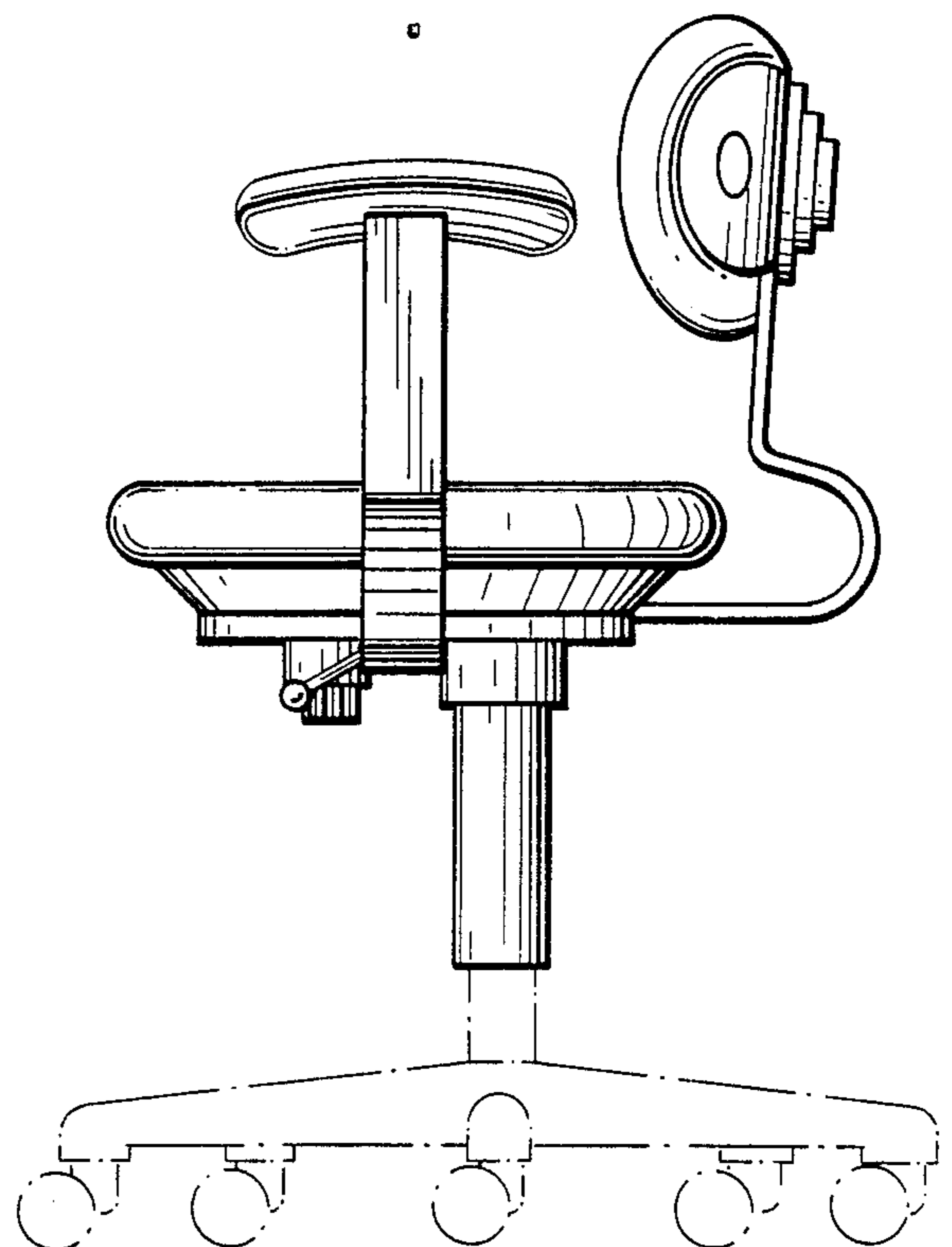


FIG. 3



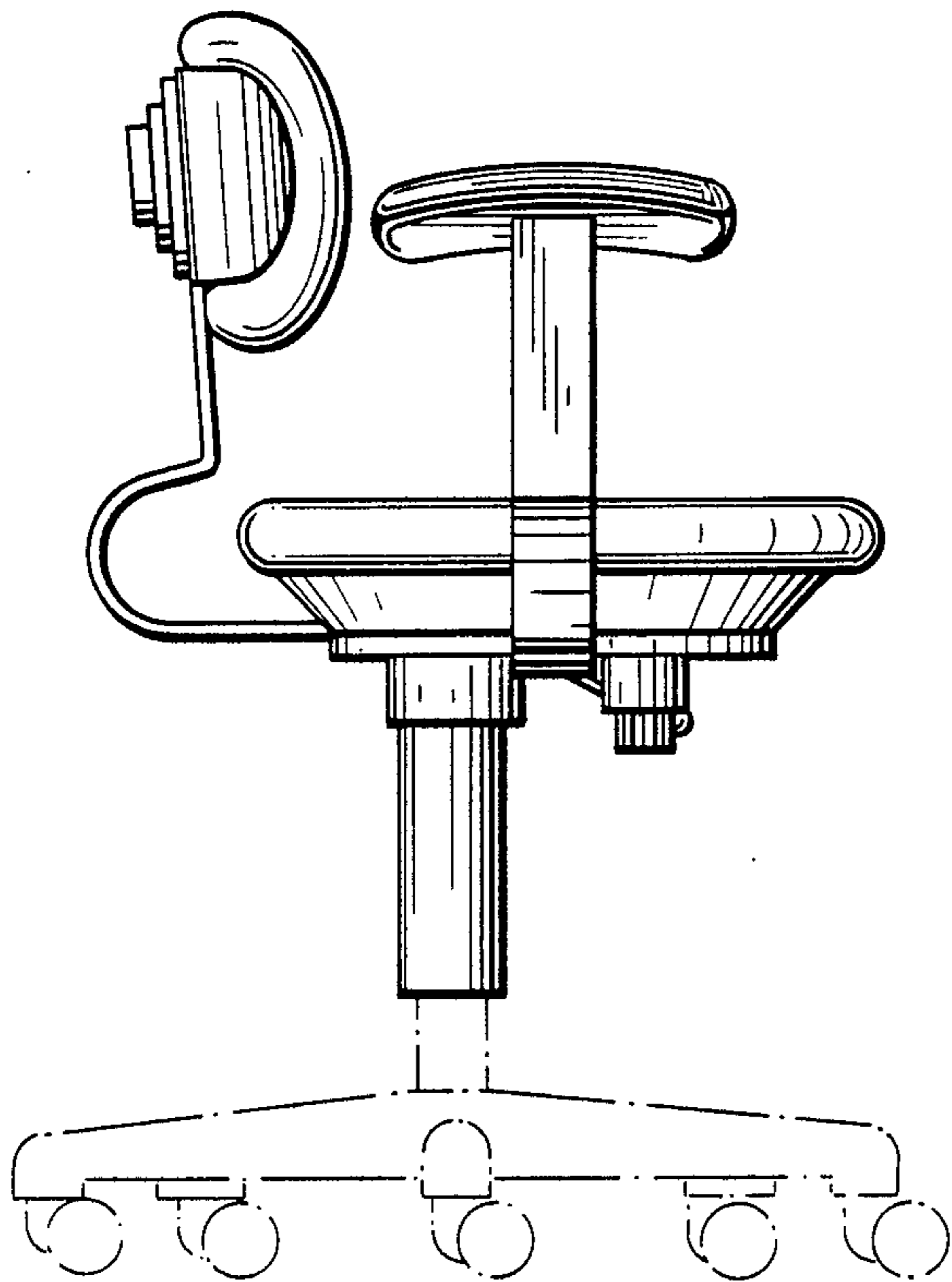


FIG. 4

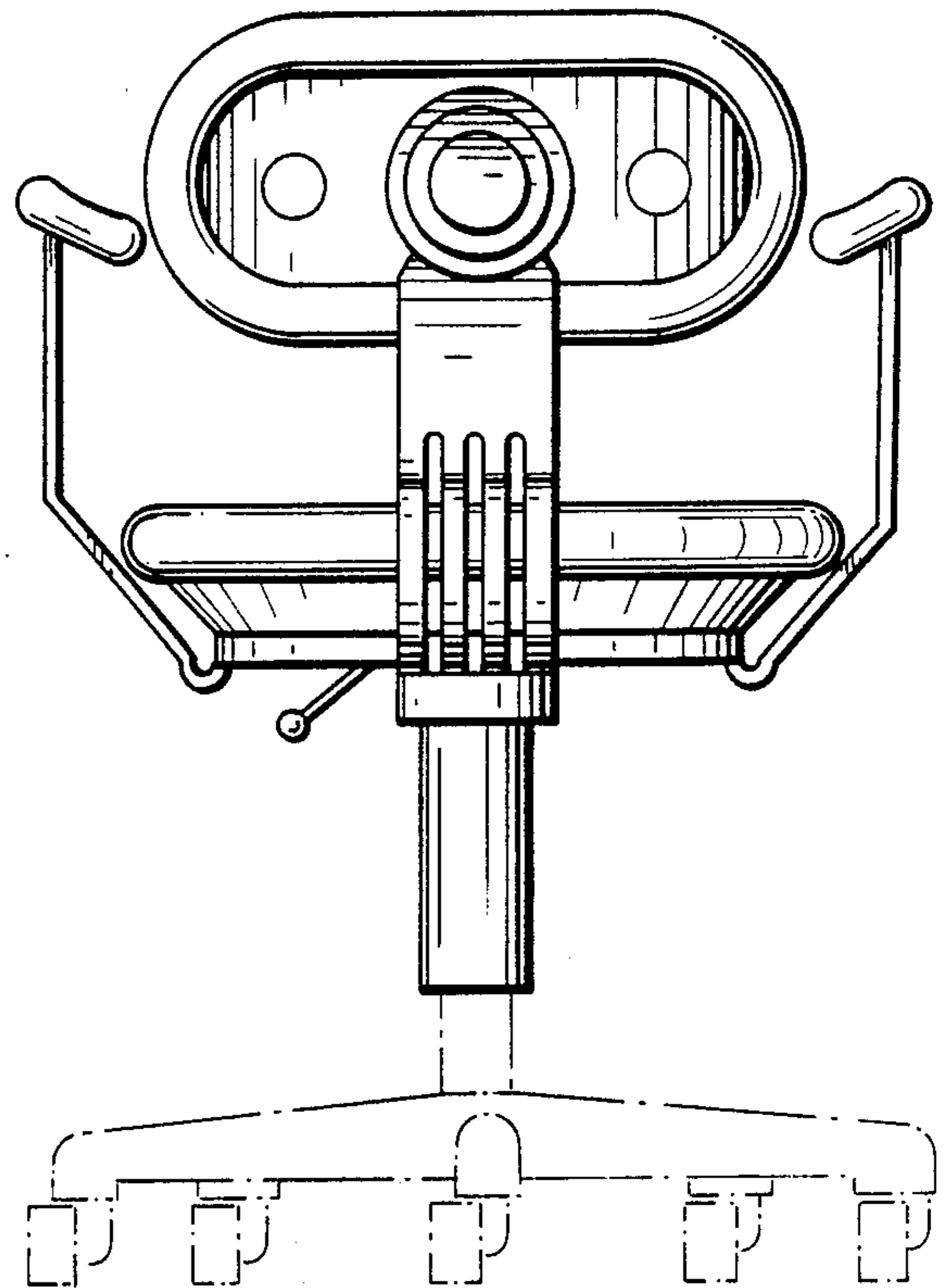


FIG. 5

FIG. 6

