

[54] **COCKTAIL TABLE**
[75] **Inventor: Herbert B. Goldberg, Skokie, Ill.**
[73] **Assignee: Mohasco Upholstered Furniture Corp., Fairfax, Va.**
[**] **Term: 14 Years**
[21] **Appl. No.: 381,515**
[22] **Filed: Jul. 19, 1989**
[52] **U.S. Cl. D6/484**
[58] **Field of Search D6/396, 422, 449, 470, D6/472, 477, 480, 482, 483, 484; 108/111, 150, 153, 157**

D. 152,330 1/1949 Dillon D6/477
D. 282,420 2/1986 Melland D6/422

Primary Examiner—Bruce W. Dunkins
Assistant Examiner—Janice Seeger
Attorney, Agent, or Firm—Wolf, Greenfield, & Sacks

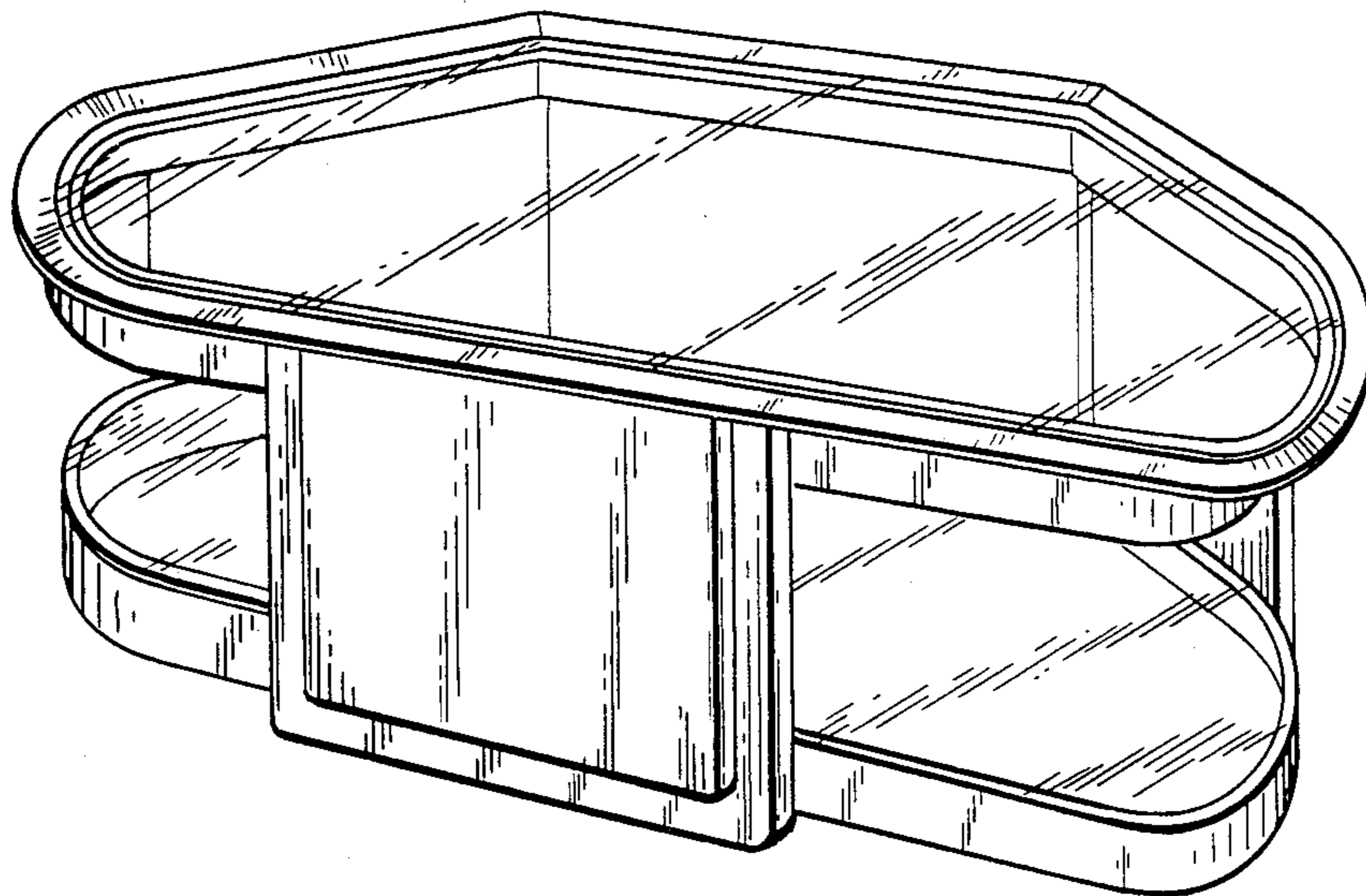
[57] **CLAIM**

The ornamental design for a cocktail table, as shown and described.

DESCRIPTION

FIG. 1 is a top perspective view of a cocktail table, showing my new design;
FIG. 2 is a top plan view;
FIG. 3 is a front elevational view thereof;
FIG. 4 is a rear elevational view thereof; and
FIG. 5 is a right side elevational view, the left side view being a mirror image thereof.

[56] **References Cited**
U.S. PATENT DOCUMENTS
D. 4,477 11/1870 Grove D6/470



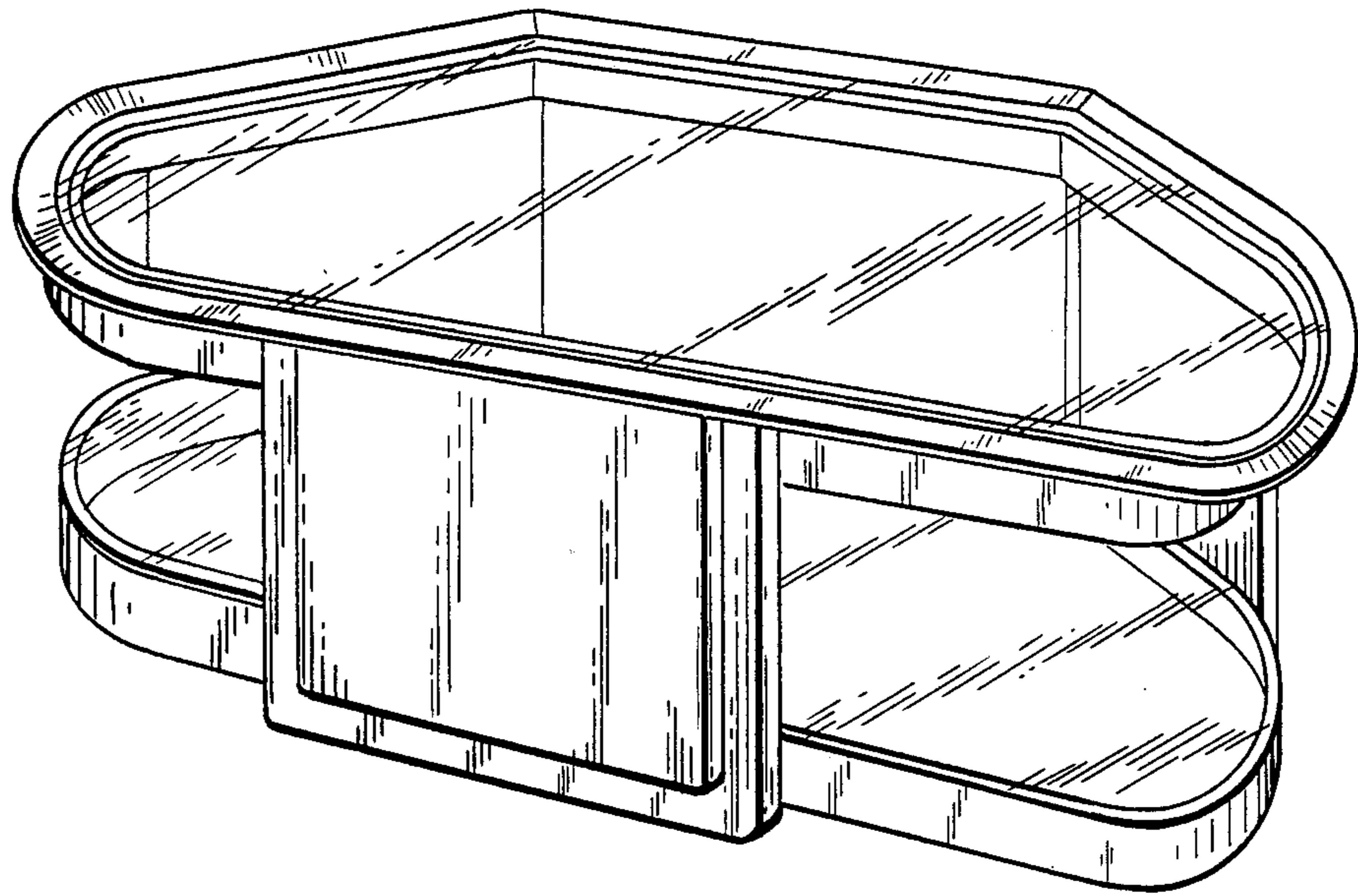


FIG. 1

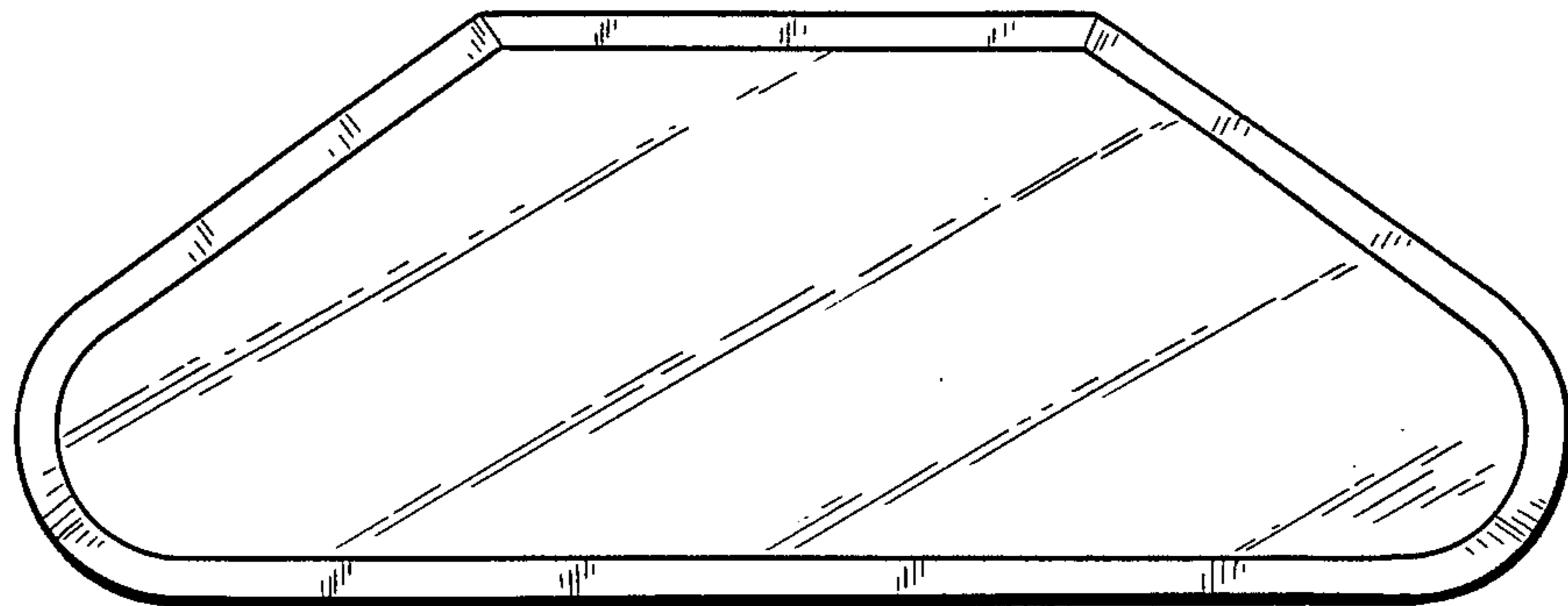


FIG. 2

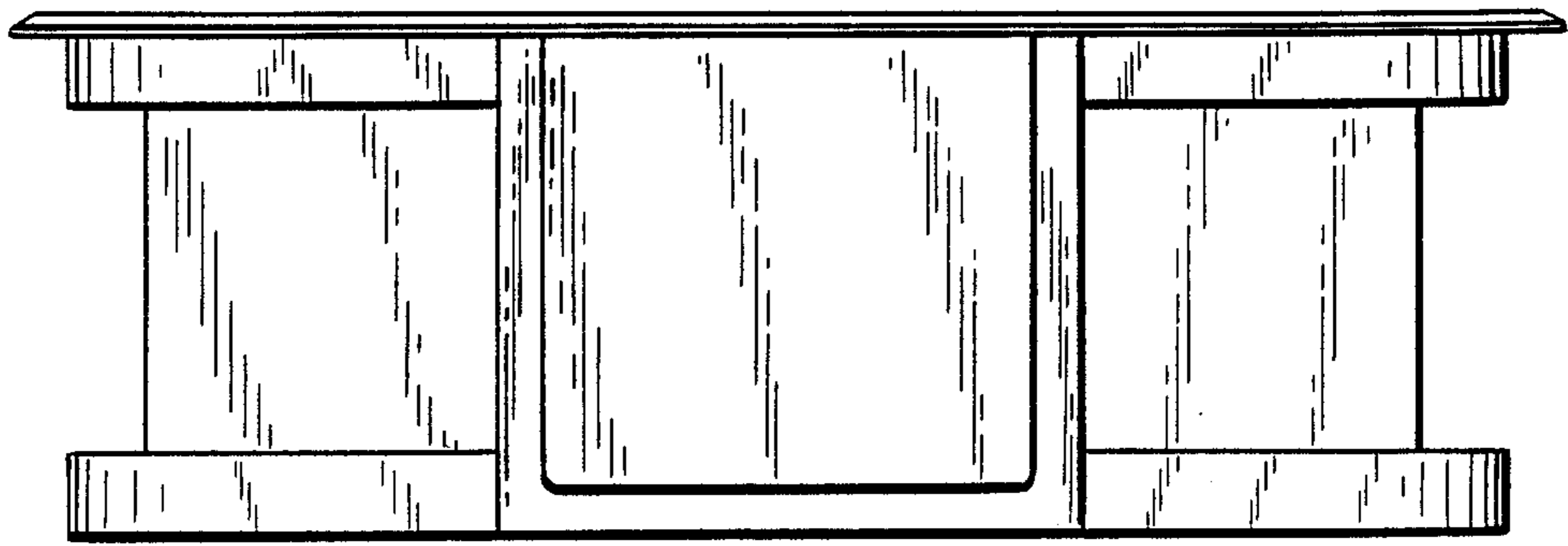


FIG. 3

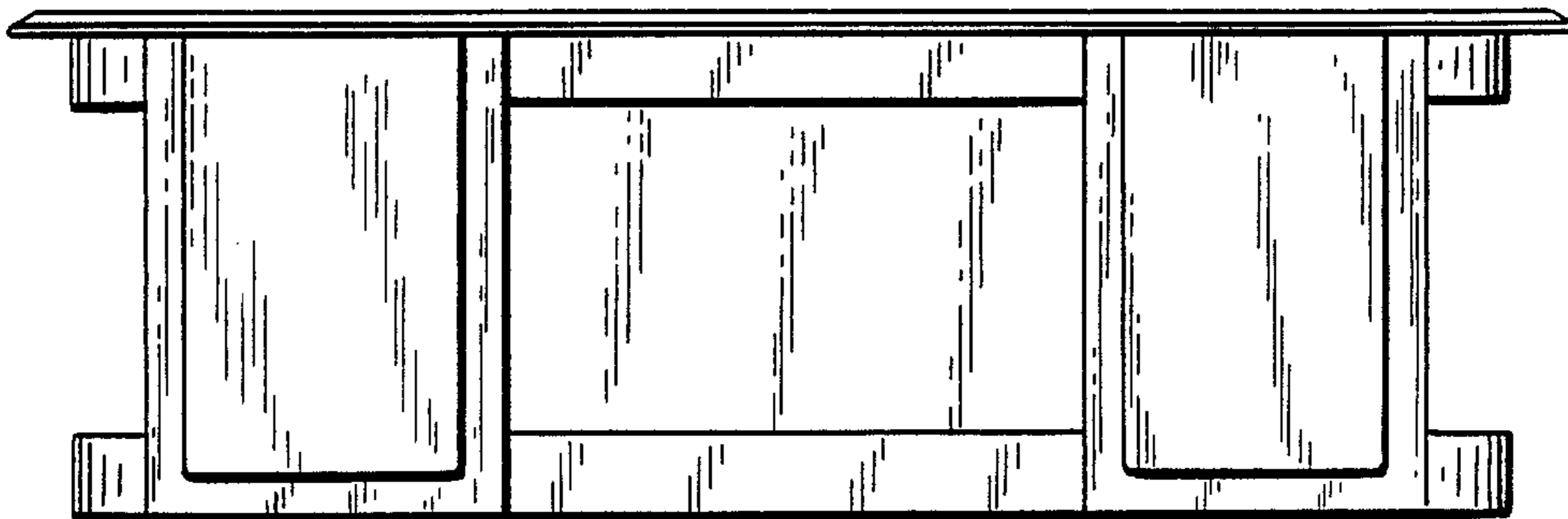


FIG. 4

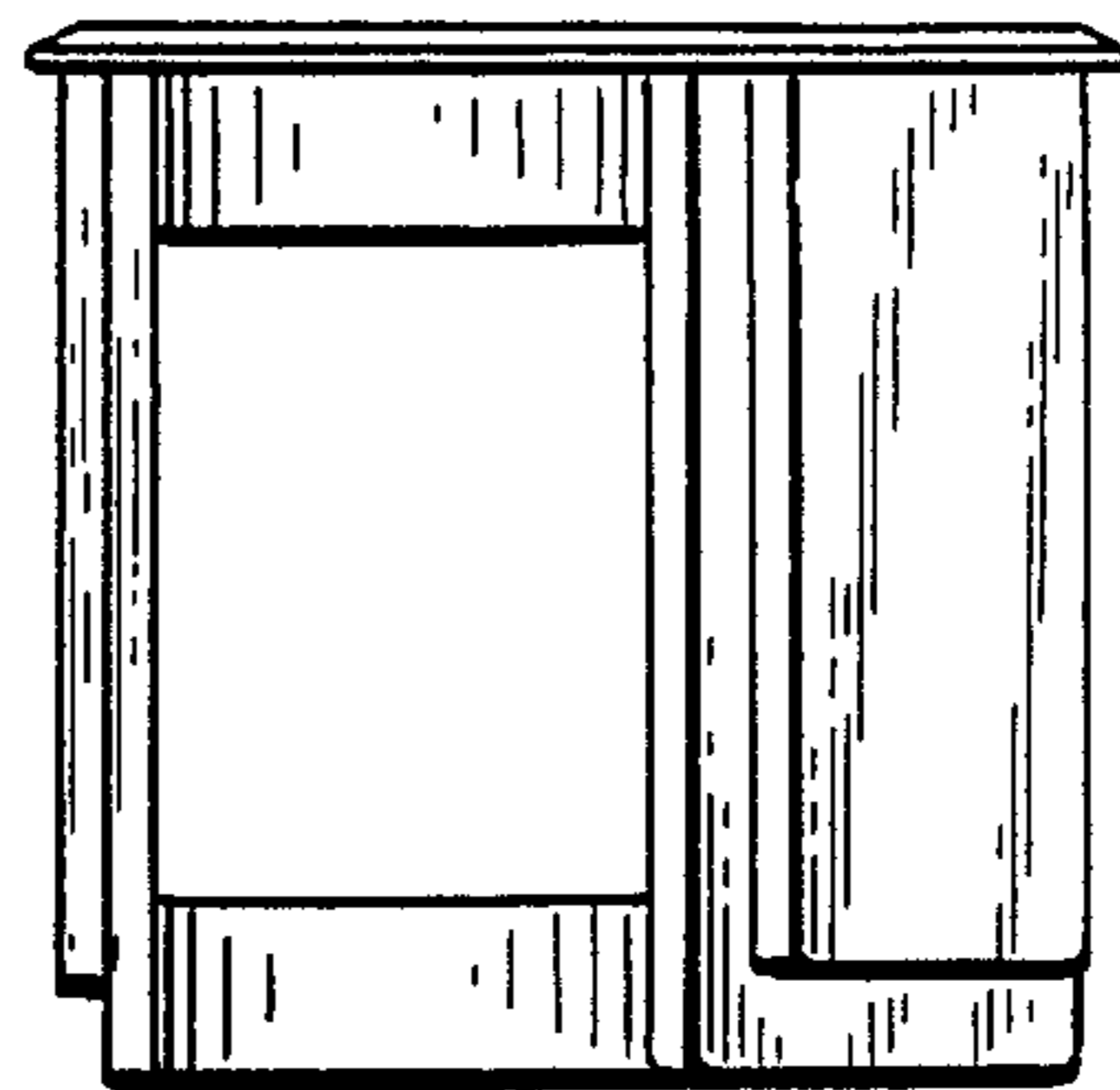


FIG. 5