

United States Patent [19]

Tooley

[11] Patent Number: Des. 311,282

[45] Date of Patent: ** Oct. 16, 1990

[54] **COMBINED BENCH AND KNEELER**

[75] Inventor: Jonathan Tooley, Andover, England

[73] Assignee: The Croydex Company Ltd.,
Andover, England

[**] Term: 14 Years

[21] Appl. No.: 44,343

[22] Filed: Apr. 30, 1987

[30] **Foreign Application Priority Data**

Dec. 12, 1986 [GB] United Kingdom 103-8761

[52] U.S. Cl. D6/349; D6/335

[58] Field of Search D6/330, 349, 335, 367

[56] **References Cited**

U.S. PATENT DOCUMENTS

D. 274,676 7/1984 Massonnet D6/349

D. 287,074 12/1986 Ritchie D6/330

D. 303,877 10/1989 Norton D6/349

2,829,705 4/1958 Godshalk D6/330

4,813,742 3/1989 Cardinael D6/349

Primary Examiner—Bruce W. Dunkins

Assistant Examiner—Ann S. Hunt

Attorney, Agent, or Firm—Martin Faier

[57] **CLAIM**

The design for a combined bench and kneeler, as shown and described.

DESCRIPTION

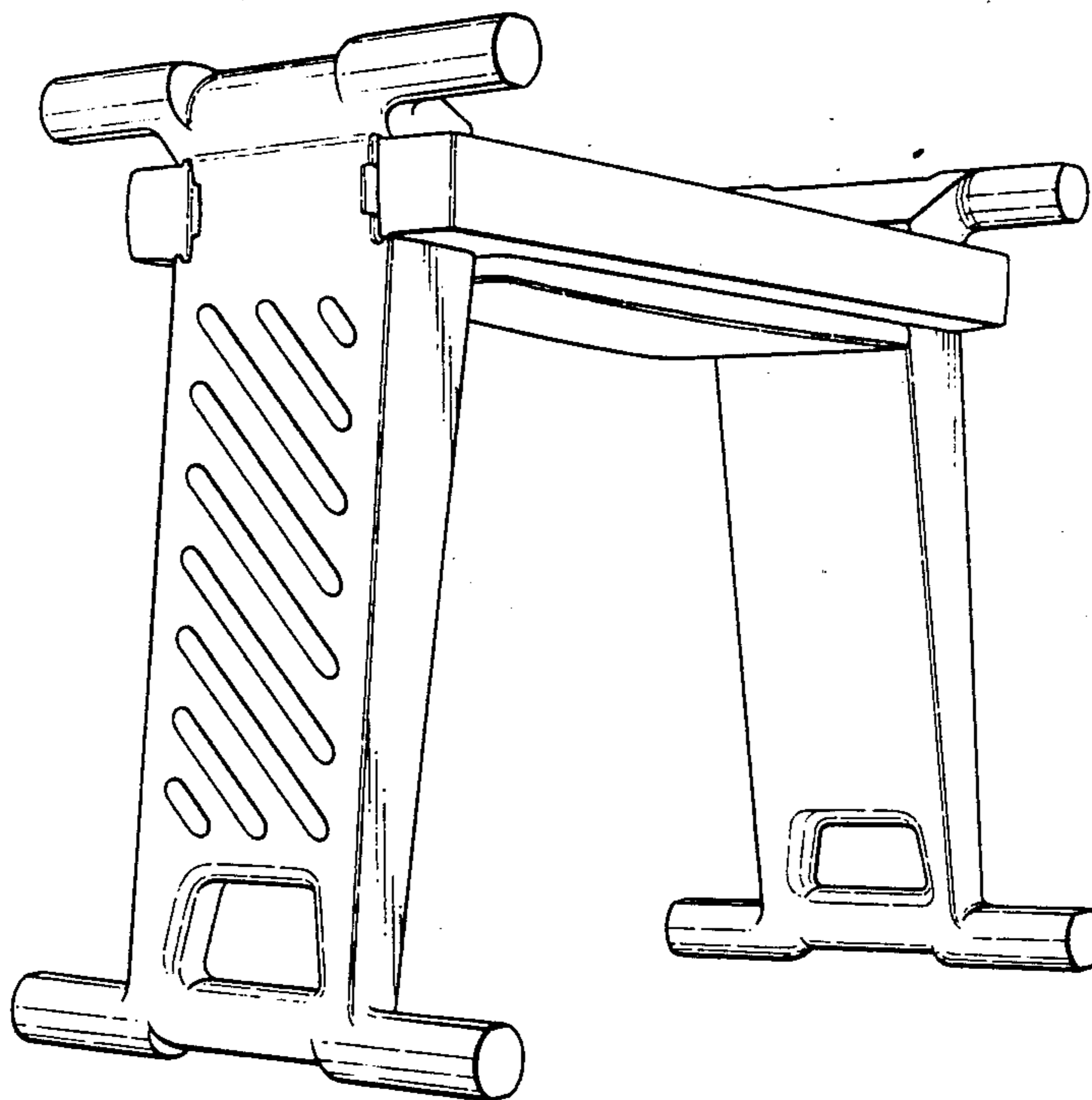
FIG. 1 is a perspective view of the combined bench and kneeler showing my new design, in use as a bench.

FIG. 2 is an end elevational view, the opposite end view being a mirror image thereof.

FIG. 3 is a side elevational view, the opposite side view being a mirror image thereof.

FIG. 4 is a top plan view thereof.

FIG. 5 is a perspective view of the combined bench and kneeler in use as a kneeler.



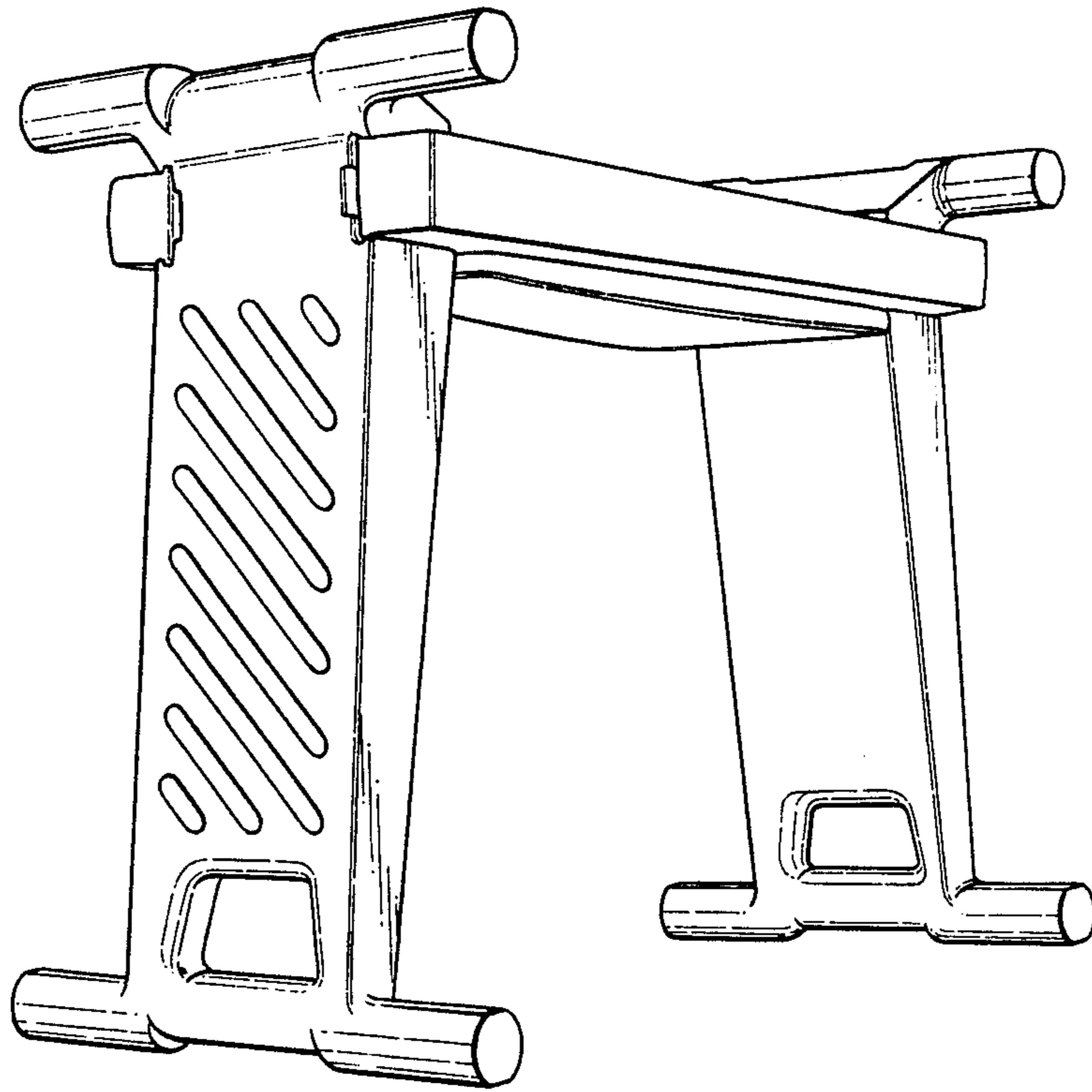


FIG.1.

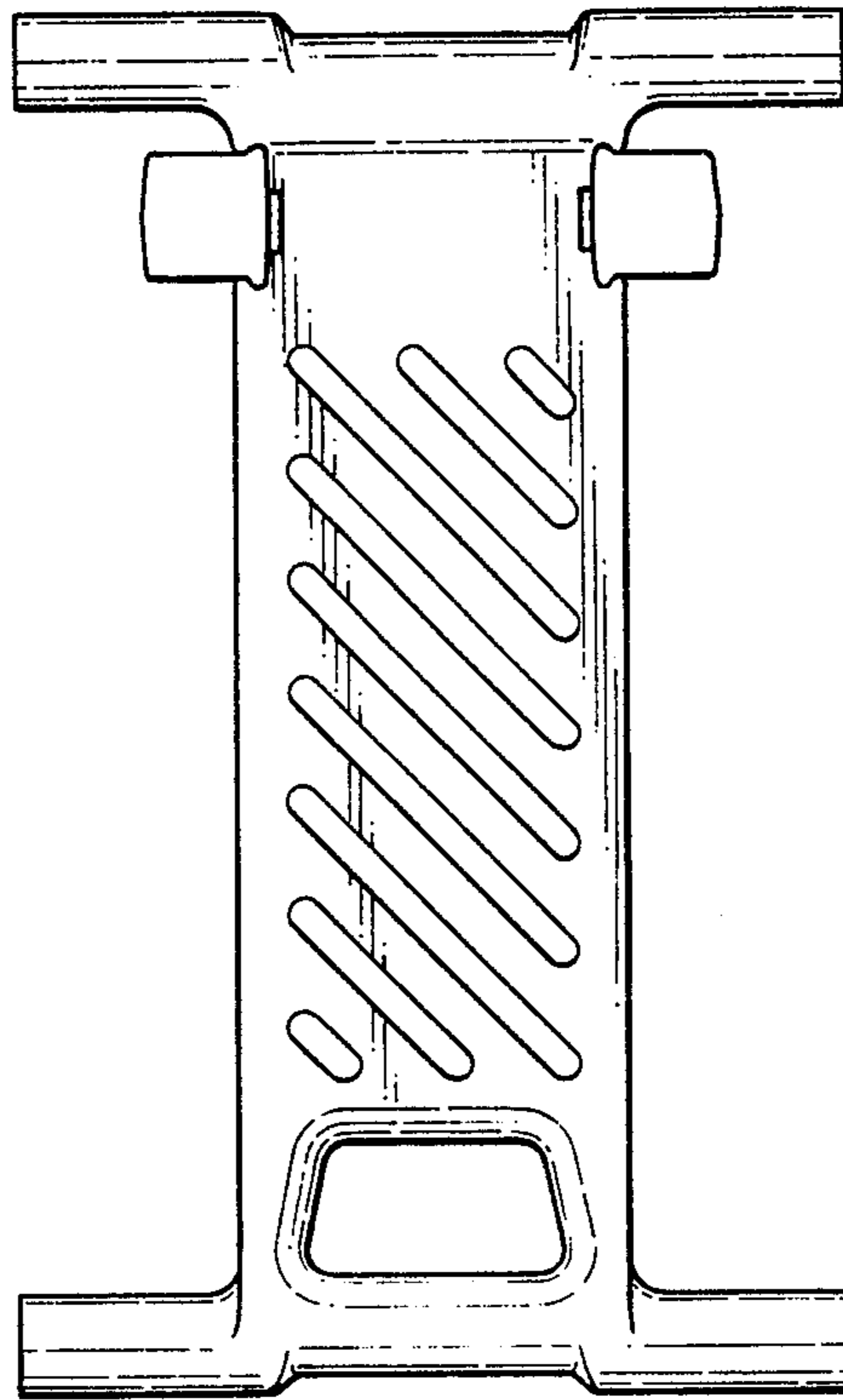


FIG. 2.

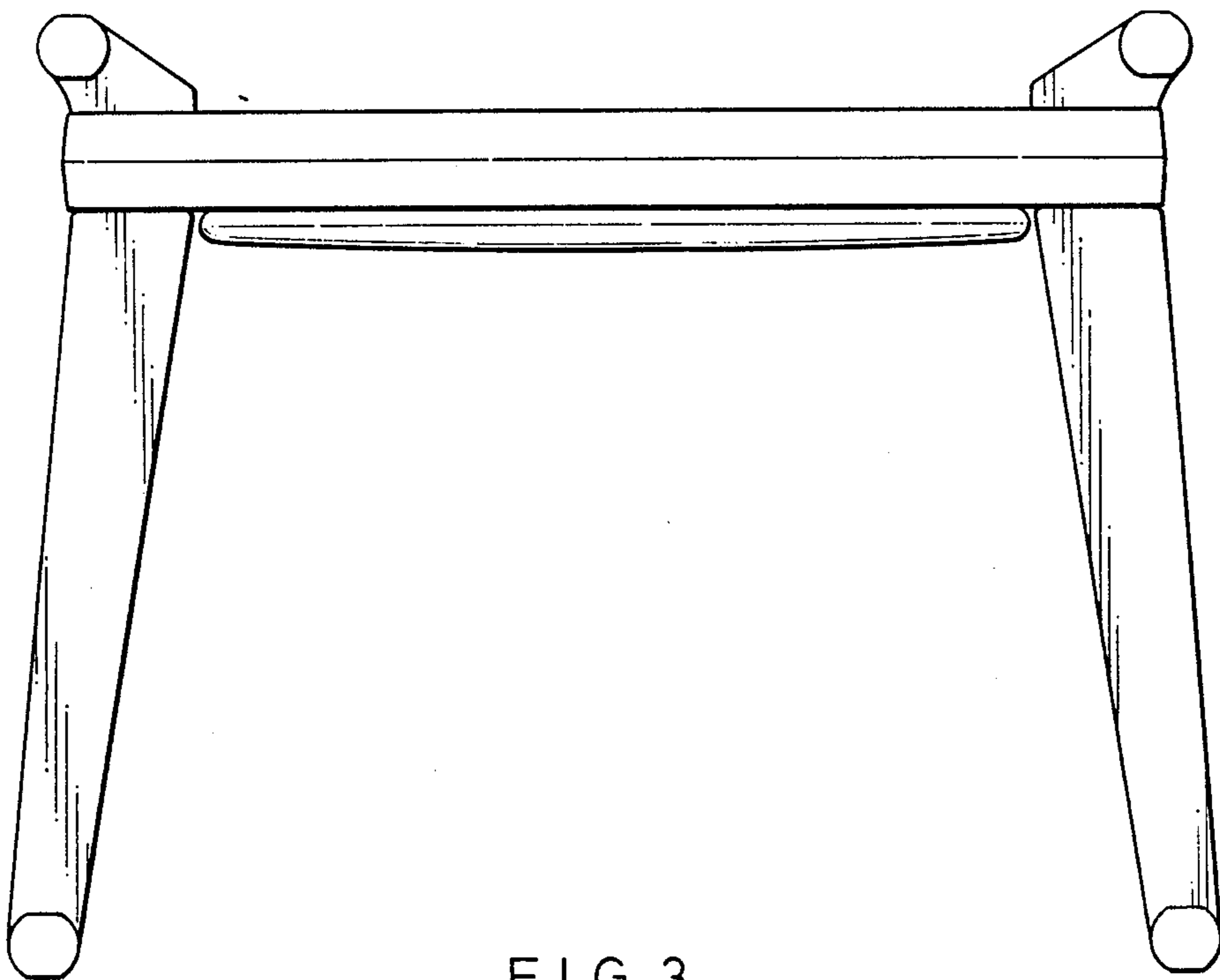


FIG. 3.

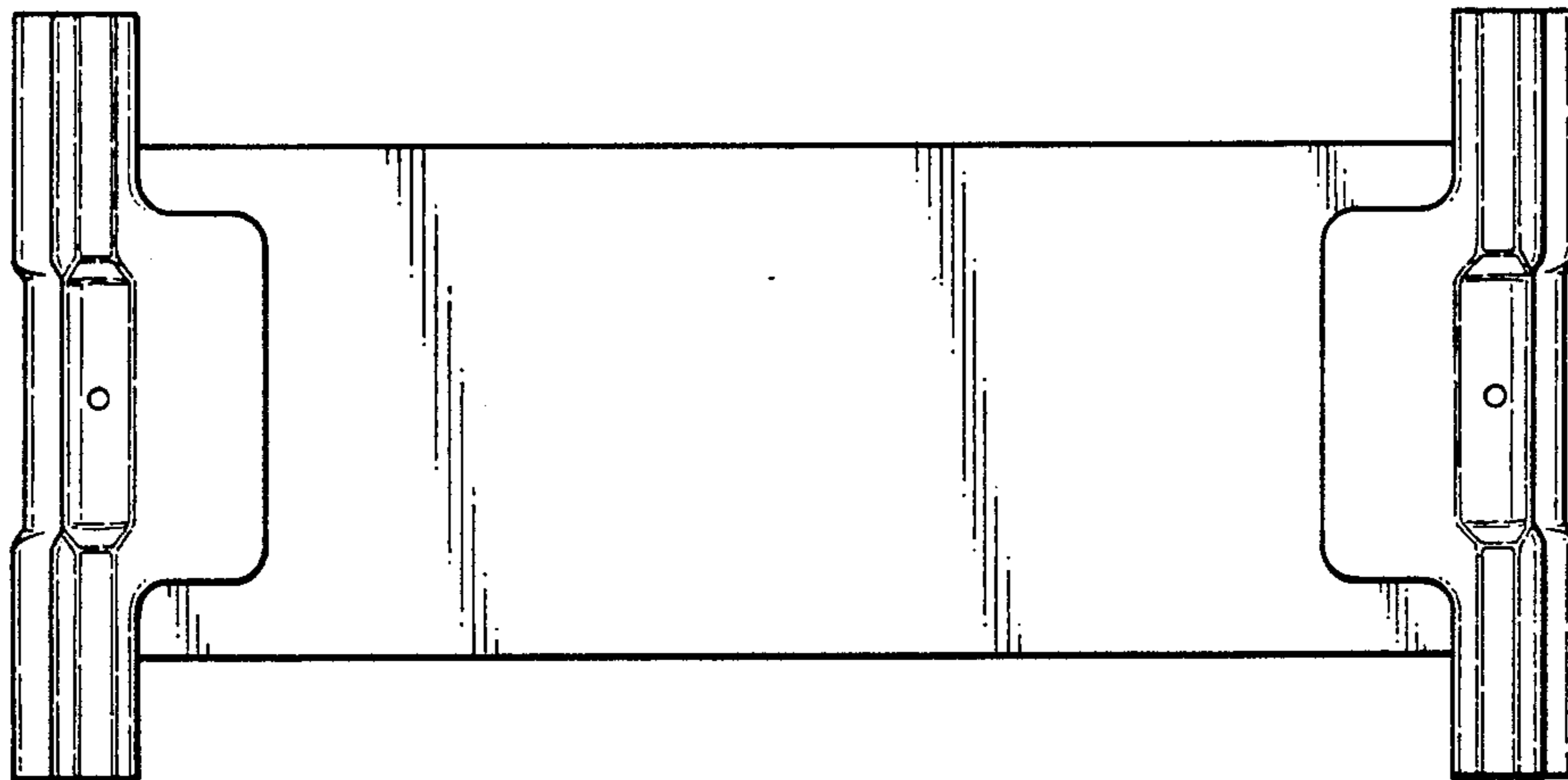


FIG. 4.

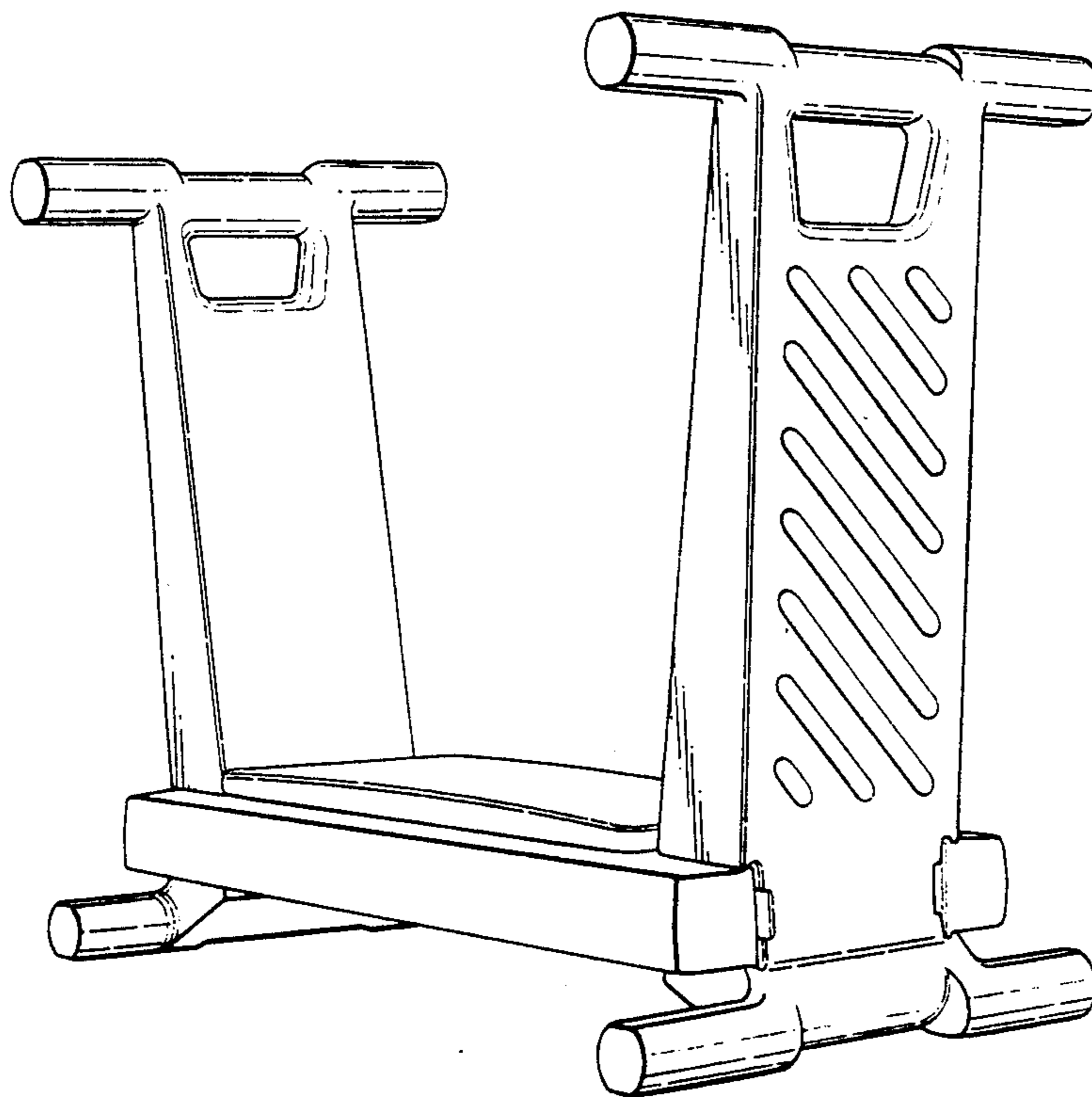


FIG. 5.