

[54] COMBINED PAINT ROLLER AND APPLICATOR

[76] Inventor: Ricardo Garcia, 5849 NW. 7th St. #503, Miami, Fla. 33126

[\*\*] Term: 14 Years

[21] Appl. No.: 200,171

[22] Filed: May 24, 1988

[52] U.S. Cl. .... D4/122; D4/116

[58] Field of Search ..... D4/114-116, D4/122; 15/24, 230.11, 248 A; 401/15, 20-22, 218-220, 268, 270, 277, 282, 286, 289

[56] References Cited

U.S. PATENT DOCUMENTS

- D. 235,278 6/1975 Janssen ..... D4/122
- D. 248,416 7/1978 Lupkes ..... D4/116

- D. 280,784 10/1985 DeVreeze ..... D4/122
- 1,827,003 10/1931 Gailhofer ..... 401/21
- 3,085,270 4/1963 Vosbikian et al. .... 15/230.11 X
- 4,667,363 5/1987 Calvert ..... 15/248 A

Primary Examiner—Wallace R. Burke

Assistant Examiner—Lavone D. Tabor

[57] CLAIM

The ornamental design for a combined paint roller and applicator unit, as shown in the attached drawing as described above.

DESCRIPTION

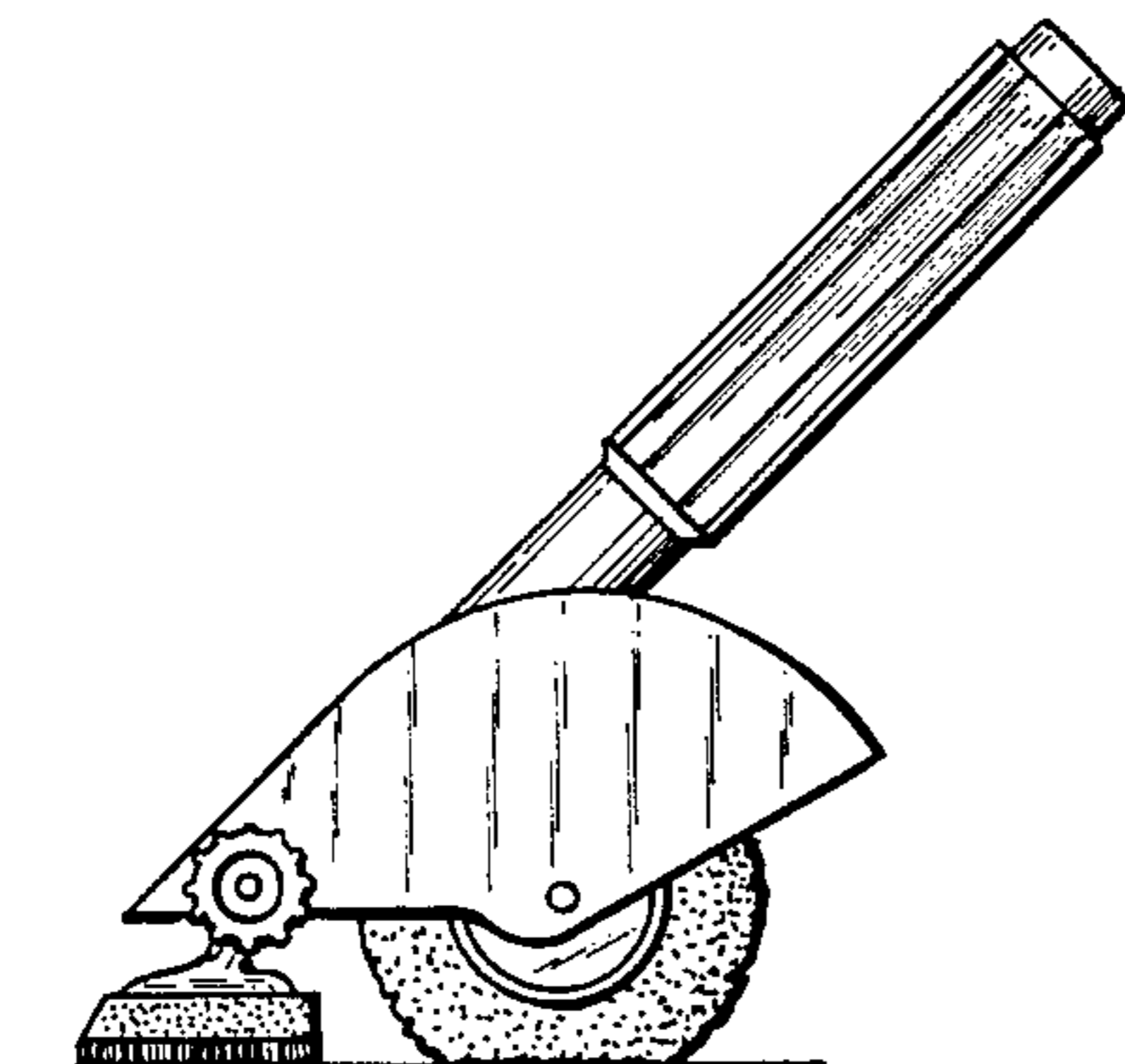
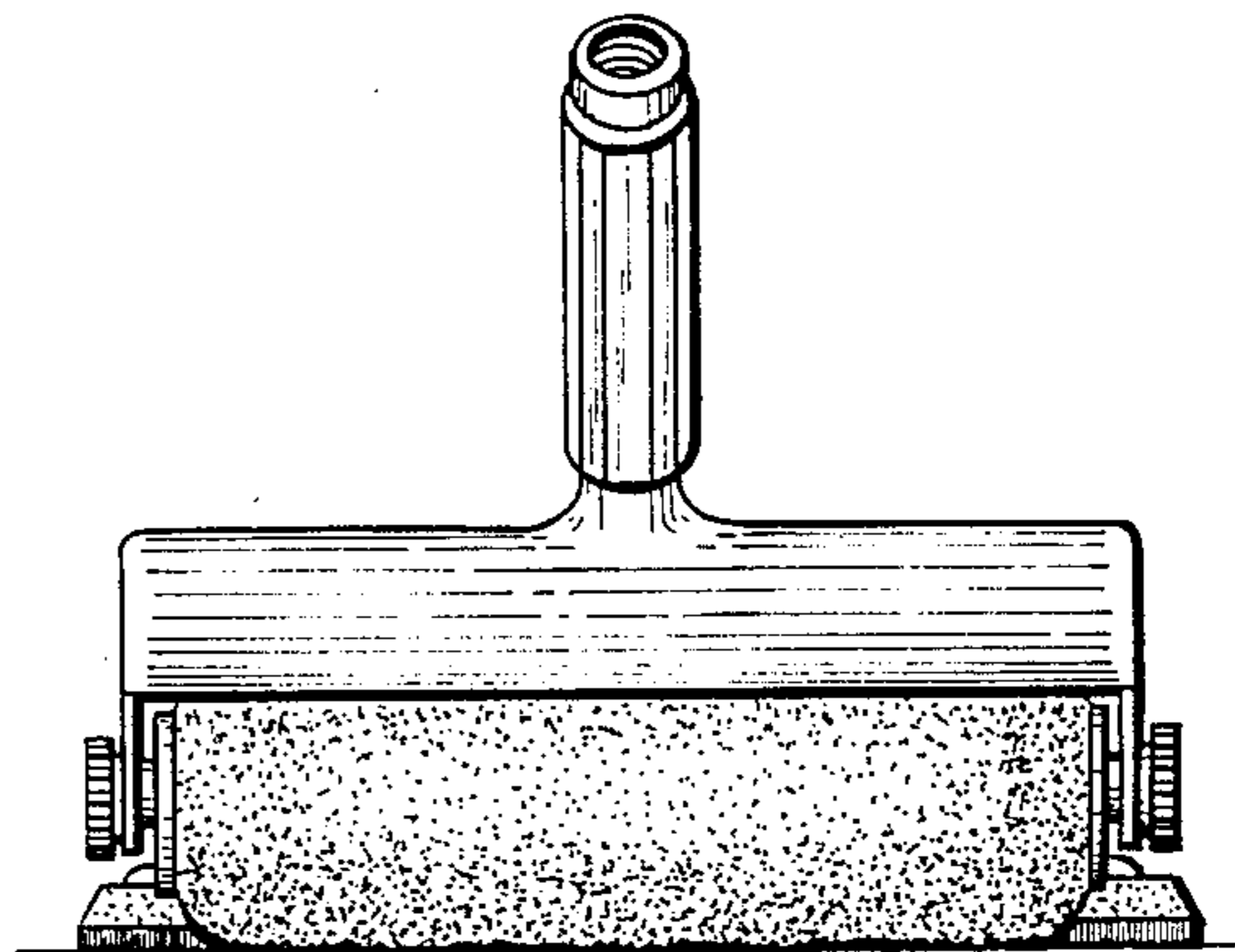
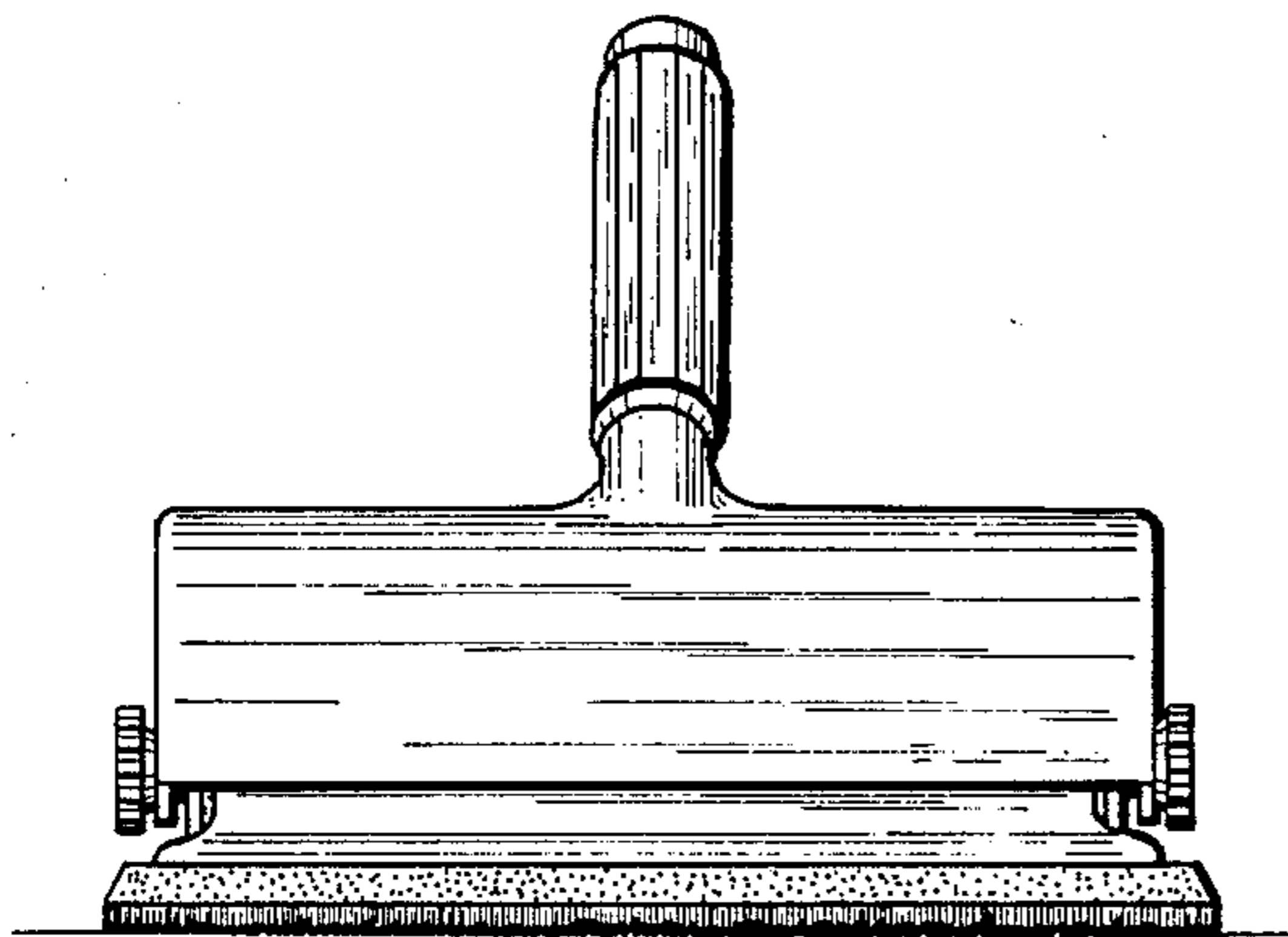
FIG. 1 is a front elevational view of a combined paint roller and applicator unit showing my new design.

FIG. 2 is a rear elevational view thereof;

FIG. 3 is a top plan view thereof;

FIG. 4 is a side elevational view, the opposite side being a mirror image thereof; and

FIG. 5 is a bottom plan view thereof.



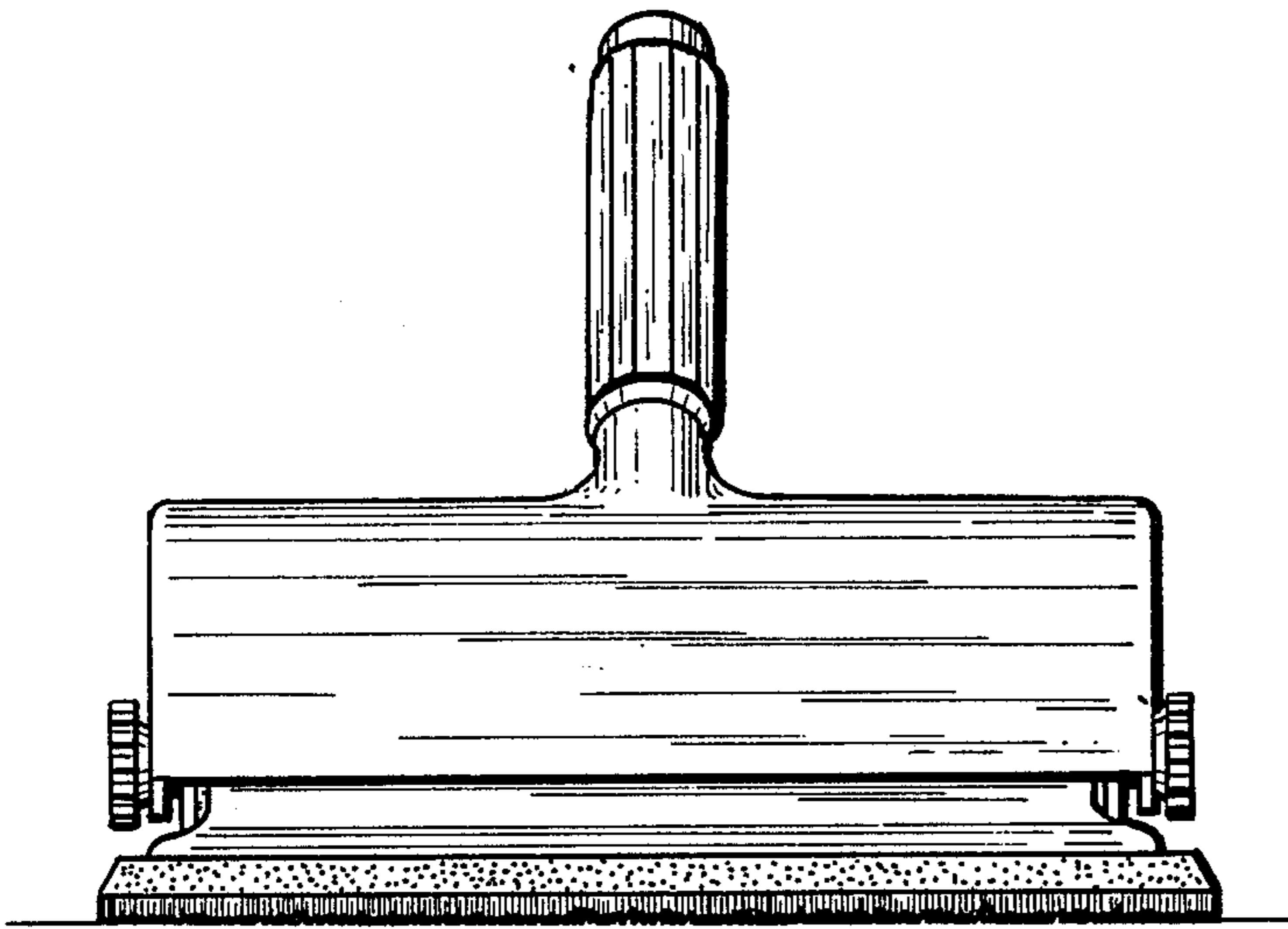


FIG. 1

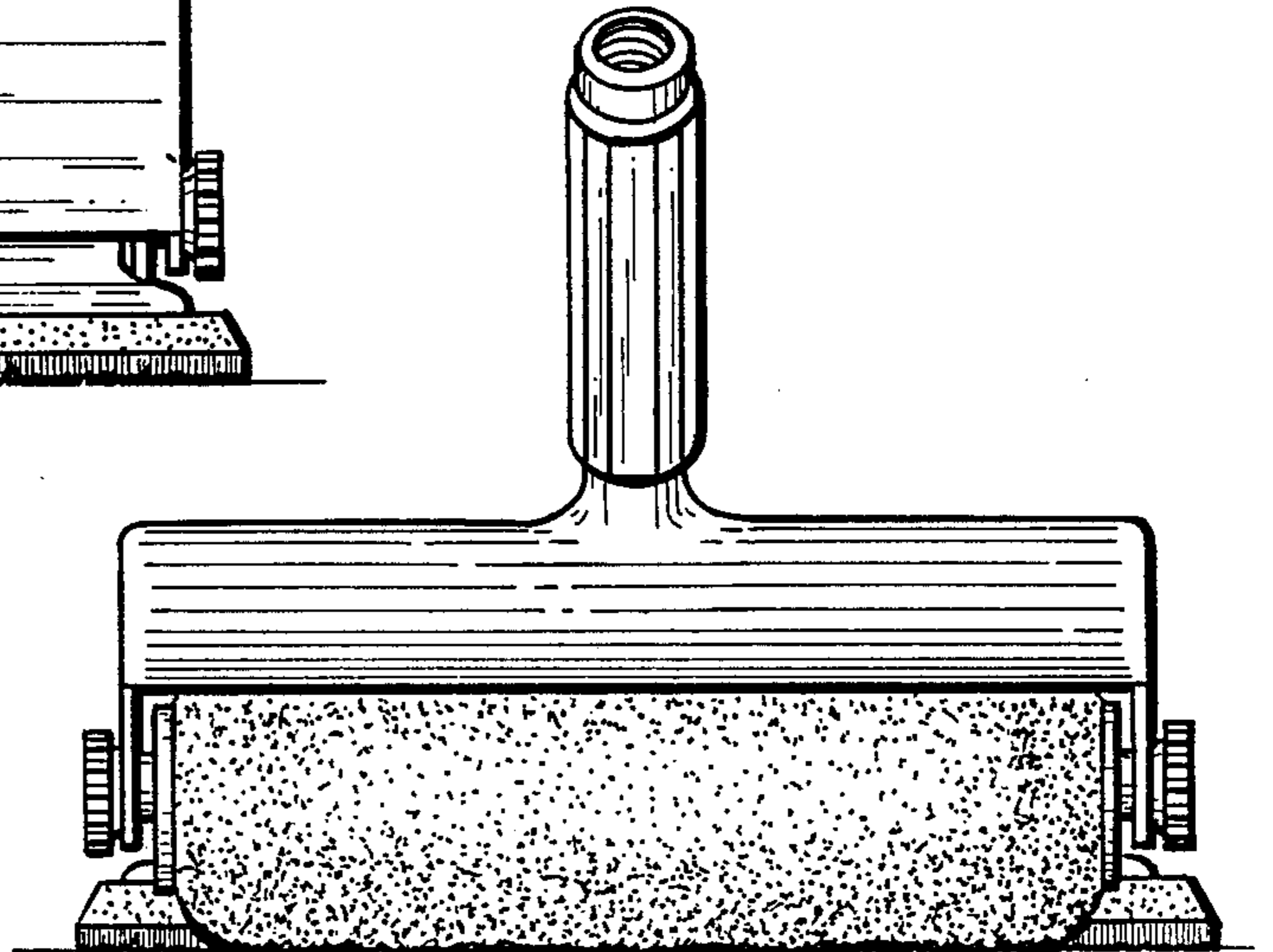


FIG. 2

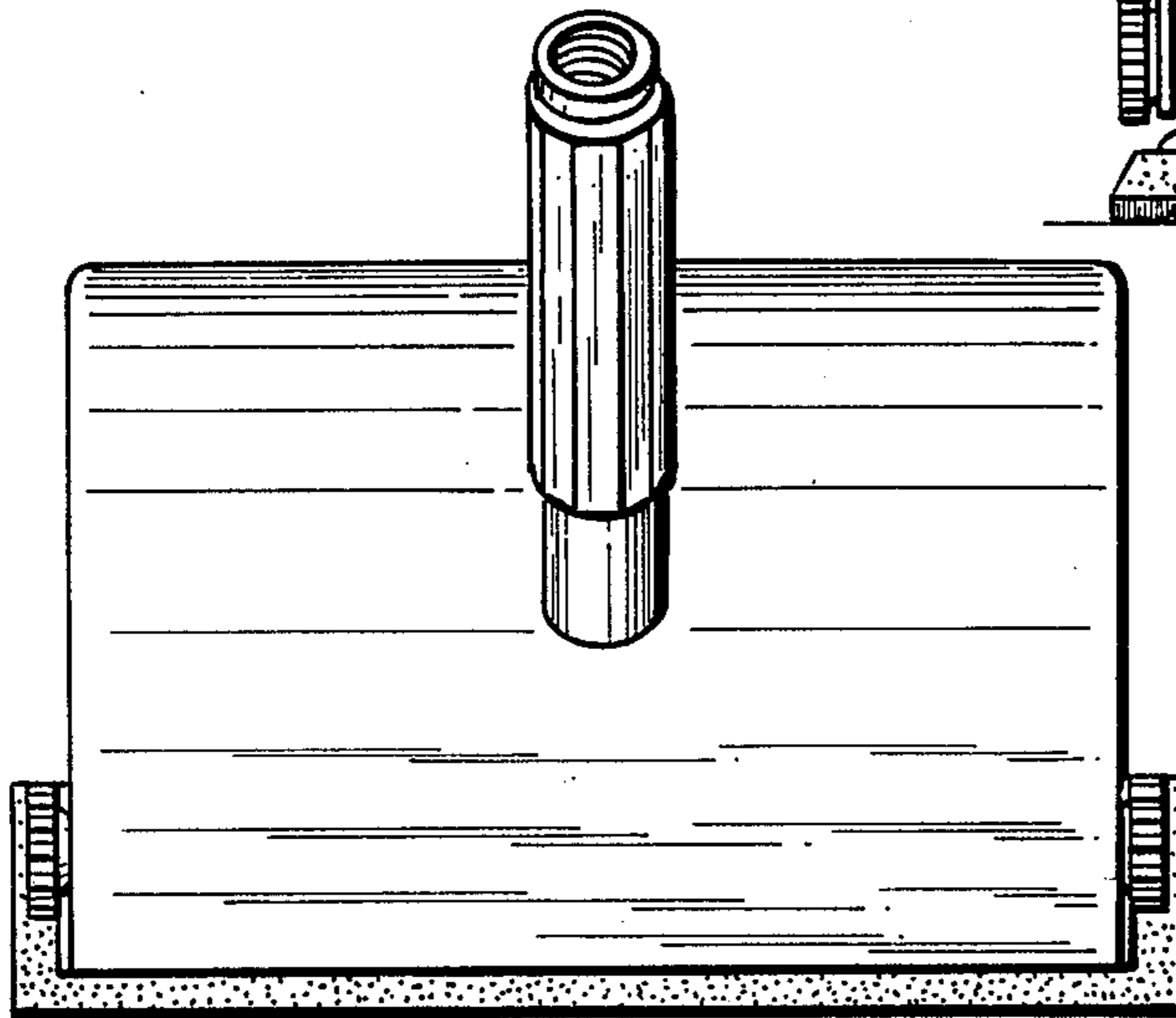


FIG. 3

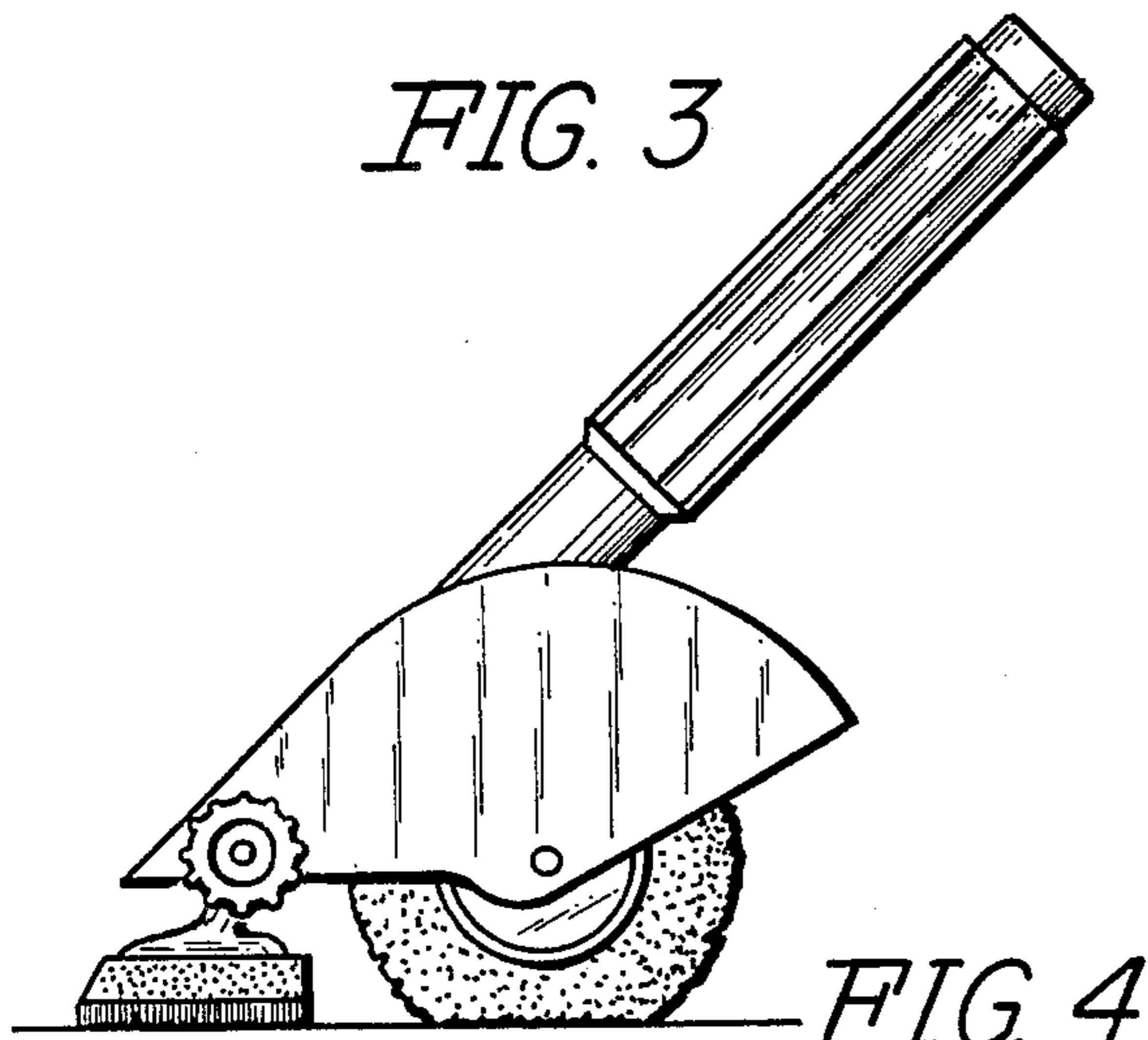


FIG. 4

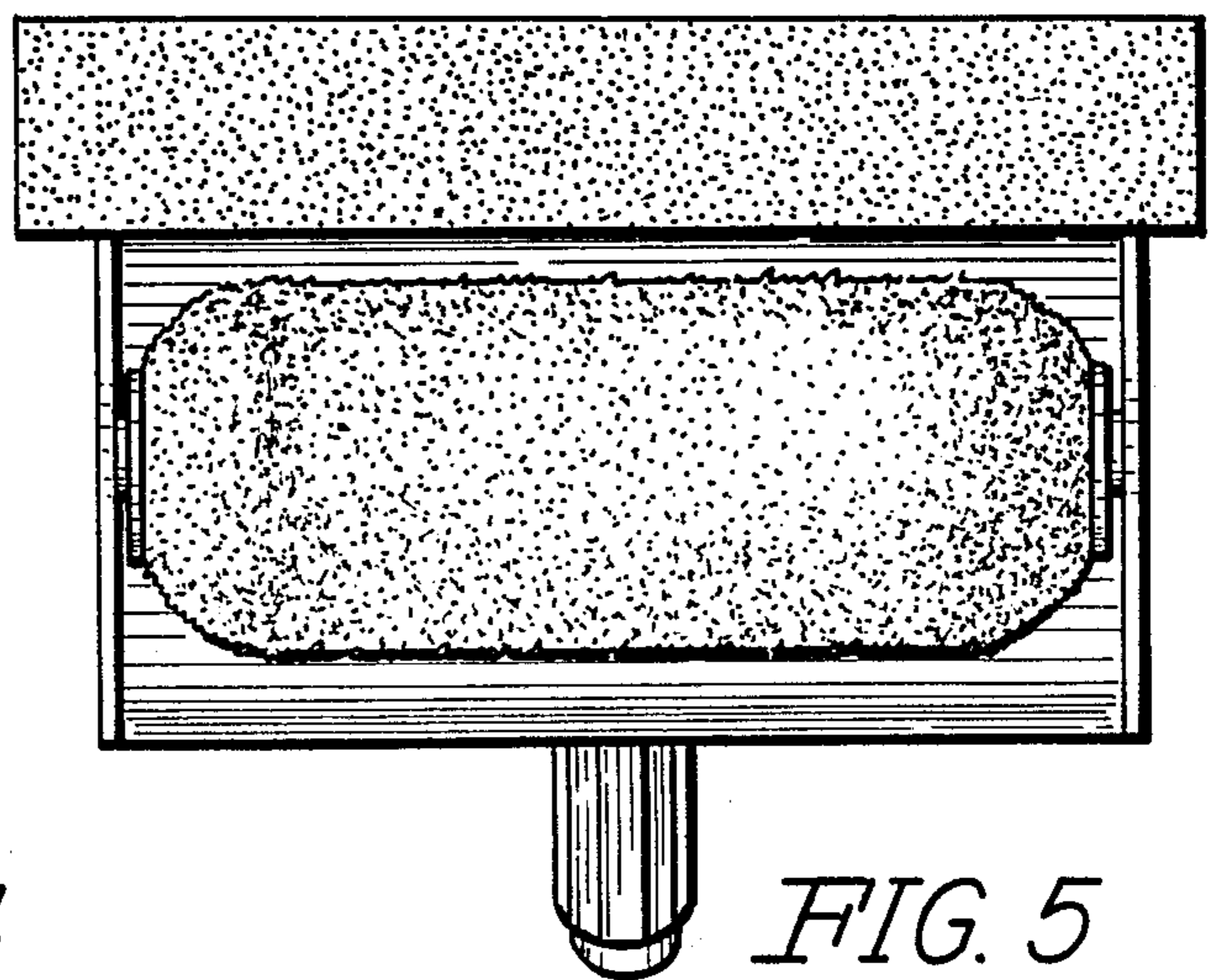


FIG. 5