

[54] SHELL FOR LUGGAGE CASE

[75] Inventor: David E. Workman, Evergreen, Colo.

[73] Assignee: Samsonite Corporation, Denver, Colo.

[\*\*] Term: 14 Years

[21] Appl. No.: 56,209

[22] Filed: May 28, 1987

[52] U.S. Cl. .... D3/76

[58] Field of Search ..... D3/76, 72, 33, 35; 206/315.9; 190/18 N, 18 A, 115

[56] References Cited

U.S. PATENT DOCUMENTS

D. 171,576	3/1954	Birns	.....	D3/72 X
D. 225,383	12/1972	Eisele	.....	D3/76
D. 235,428	6/1975	Hart	.....	D3/76
D. 298,486	11/1988	Jain	.....	D3/76
3,136,398	6/1964	Platt	.....	206/315.9

OTHER PUBLICATIONS

Travelware, May 1985, Cordura "Mandarina" Bag, p. 25.

Travelware, Feb. 1986, Hi-Craft Industries Suitcase, p. 32.

Primary Examiner—A. Hugo Word

Assistant Examiner—Doris V. Coles

Attorney, Agent, or Firm—Gregory W. O'Connor

[57] CLAIM

The ornamental design for a shell for luggage case, as shown and described.

DESCRIPTION

FIG. 1 is a perspective view of a shell for luggage case showing my design;

FIG. 2 is a front elevational view thereof;

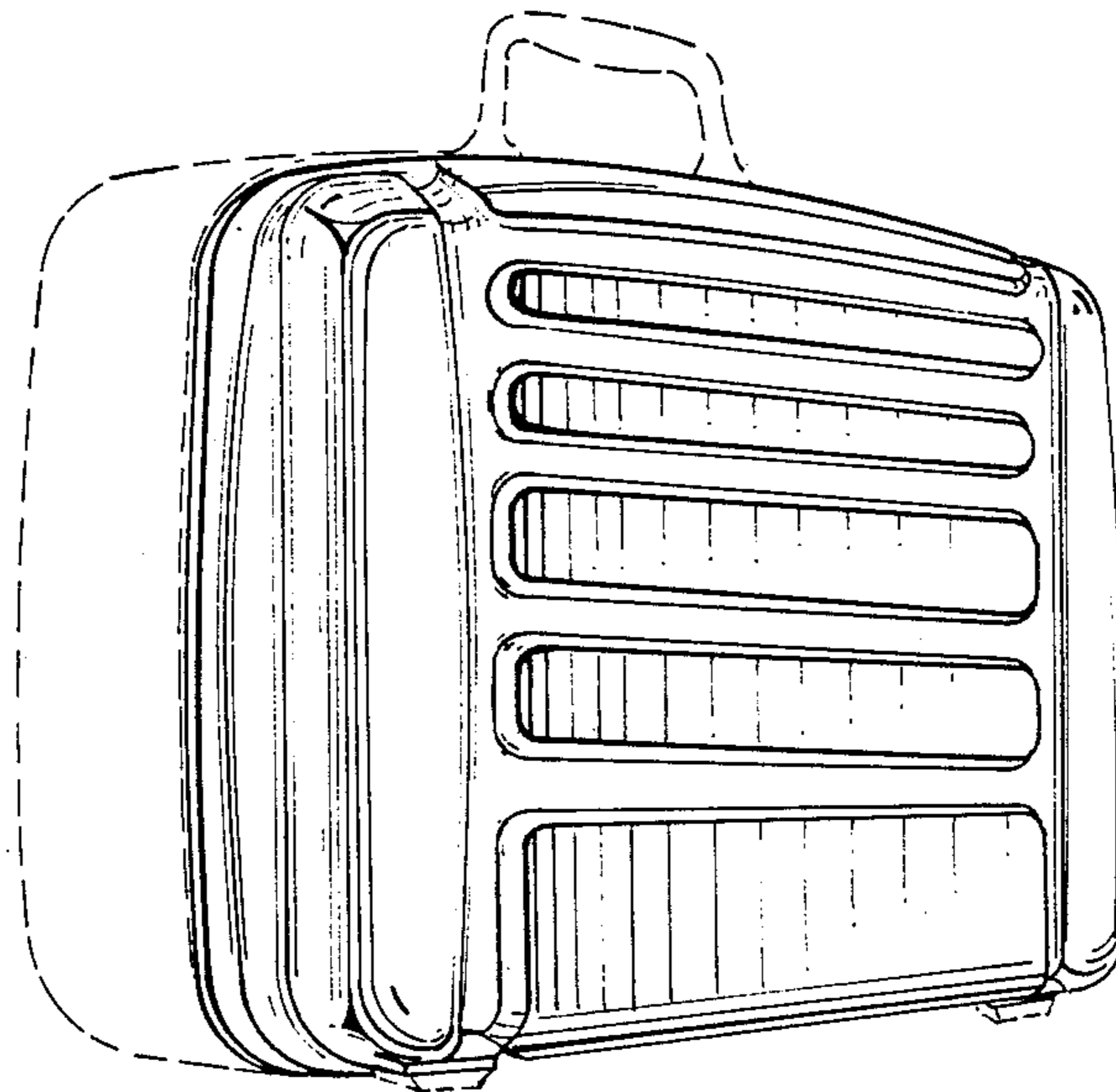
FIG. 3 is a reverse side of the view shown in FIG. 2;

FIG. 4 is a side elevational view thereof, showing the side shown in FIG. 1, the opposite side elevational view thereof being a mirror image;

FIG. 5 is a top plan view thereof; and

FIG. 6 is a bottom plan view thereof.

The broken line showings of the handle, glides, and case are for illustrative purposes only and form no part of the claimed design.



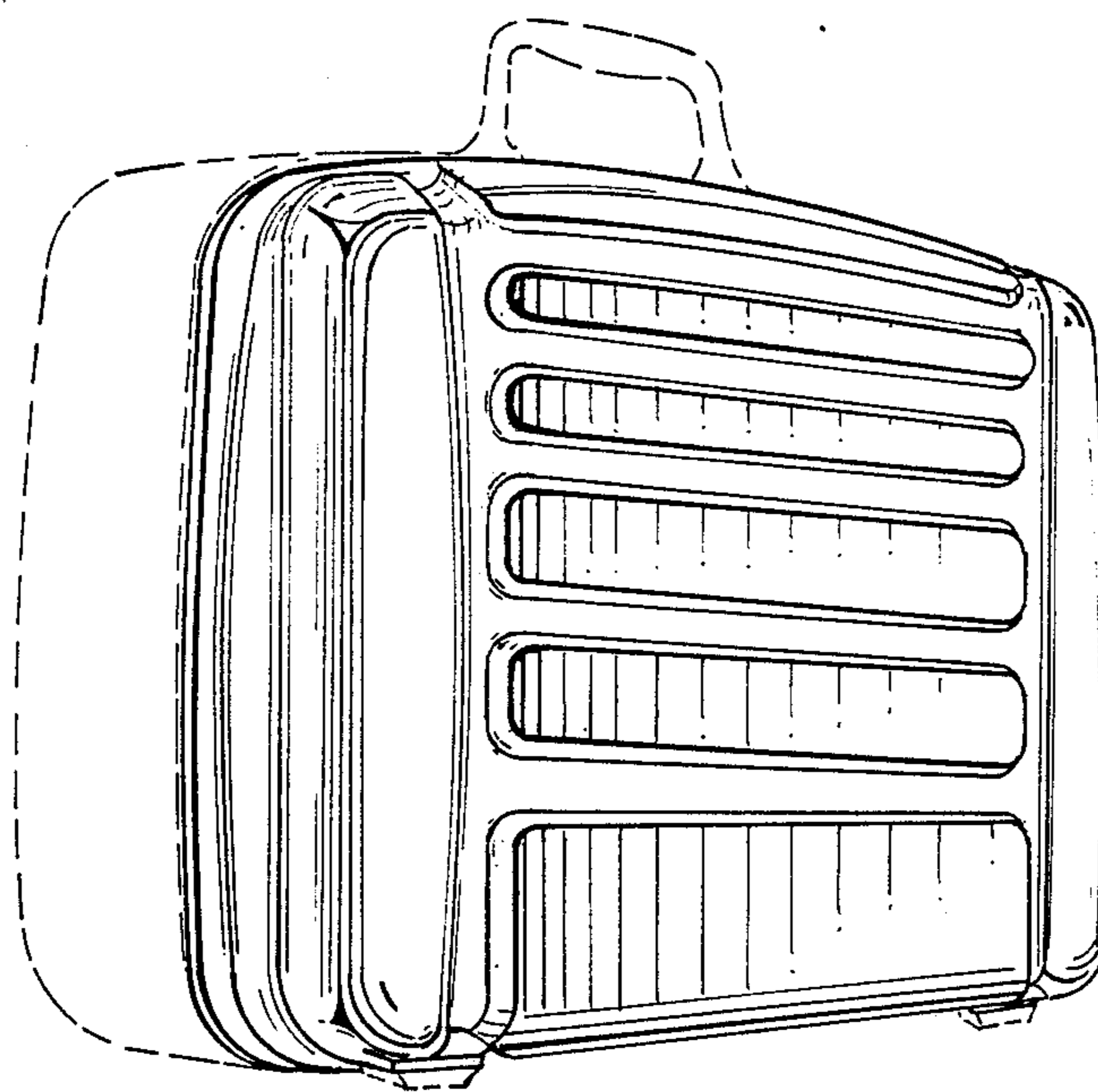


FIG. 1.

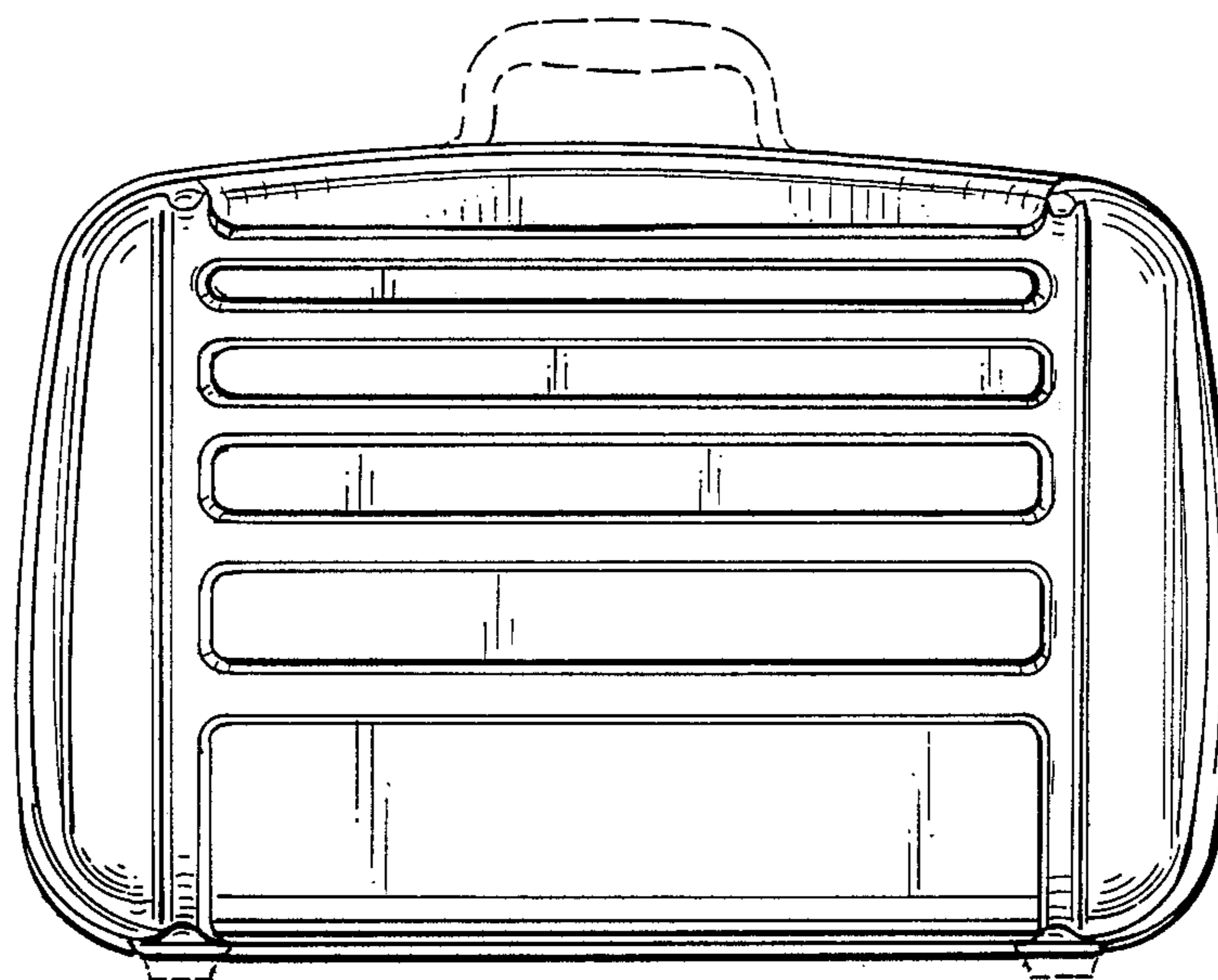


FIG. 2.

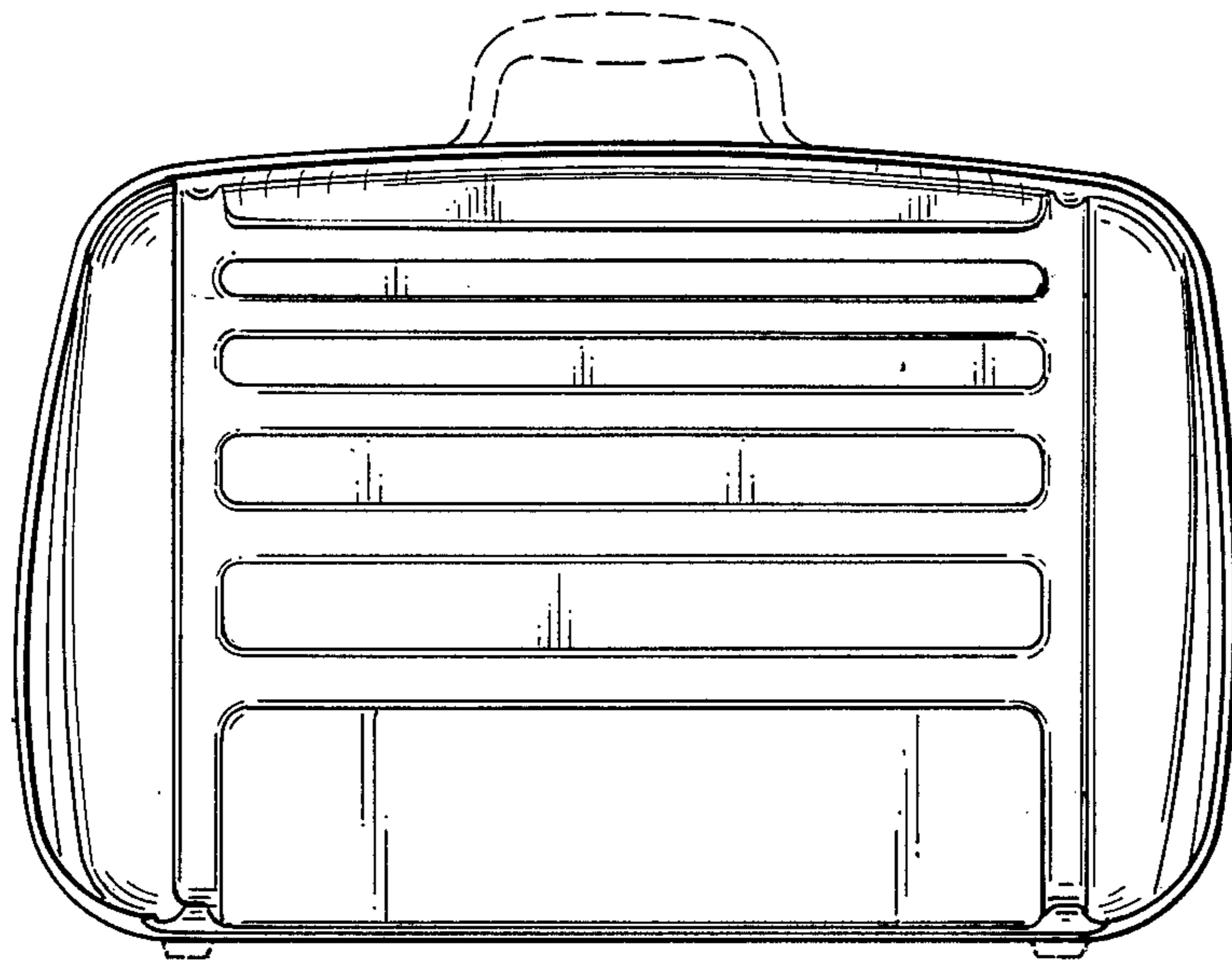


FIG. 3.

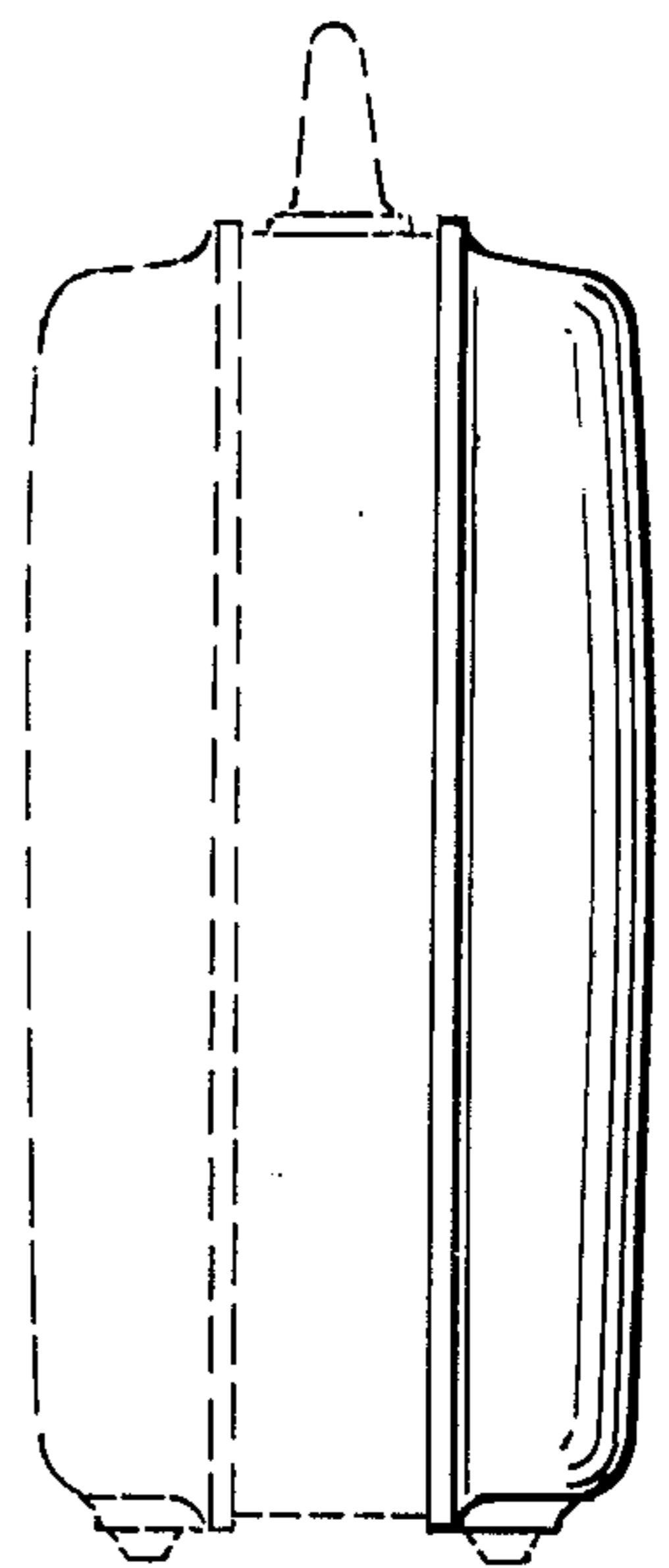


FIG. 4.

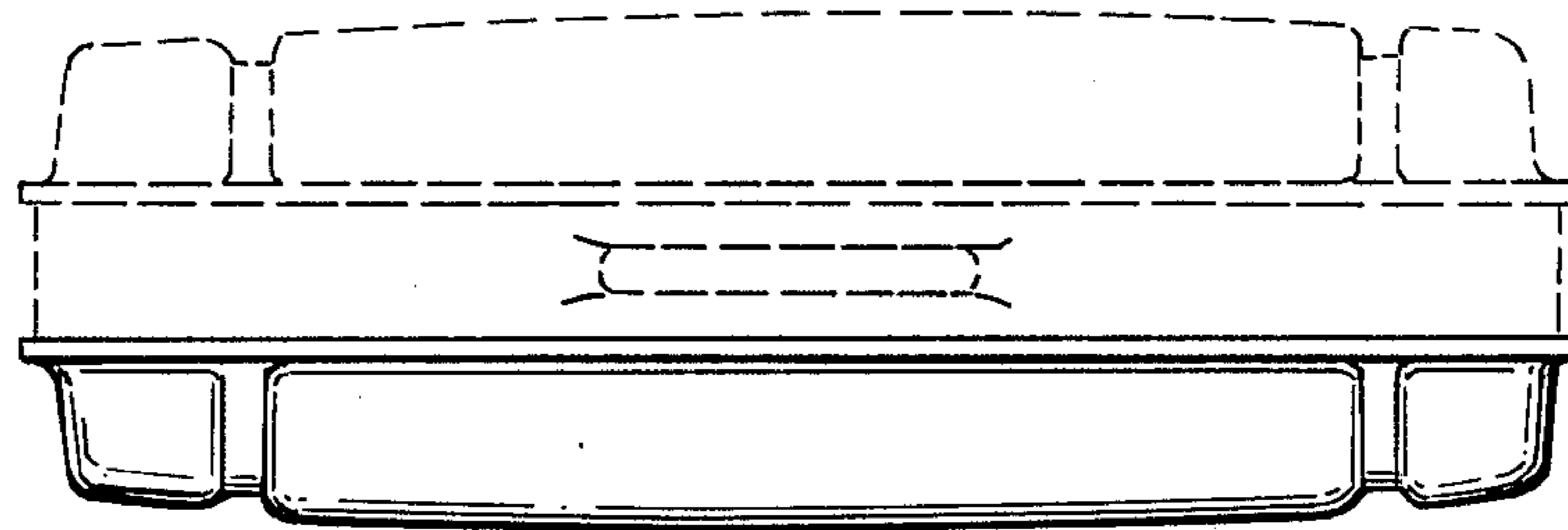


FIG. 5

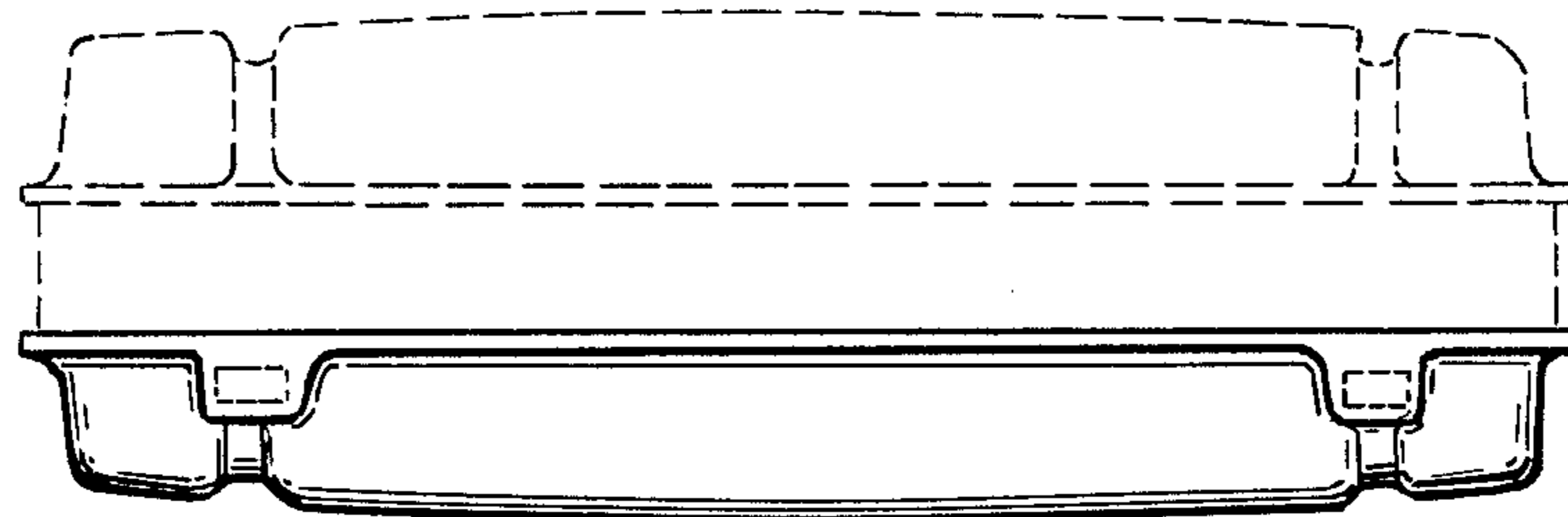


FIG. 6.