

[54] AIR FILTRATION UNIT

[75] Inventors: James J. Savage; James A. Walsh,
both of Seattle, Wash.

[73] Assignee: Crystal Clear Air, Inc., Seattle, Wash.

[**] Term: 14 Years

[21] Appl. No.: 95,476

[22] Filed: Sep. 10, 1987

[52] U.S. Cl. D23/365

[58] Field of Search D23/365, 364; 55/472,
55/270, 274

3,936,284 2/1976 Mason 55/274

4,047,913 9/1977 Okumura 55/418

4,121,916 10/1978 Fricke 55/316

4,252,547 2/1981 Johnson 55/234

4,604,111 8/1986 Natale 55/97

4,613,348 9/1986 Natale 55/318

OTHER PUBLICATIONS

Rodale's New Shelter Magazine reprint, ©1982, p. 48:18, Cleanaire 1212, top left side of page. Brochure-Nilfisk, 11-86.

Primary Examiner—James M. Gandy
Assistant Examiner—Lisa Lichtenstein
Attorney, Agent, or Firm—Seed and Berry

[56] References Cited
U.S. PATENT DOCUMENTS

D. 254,566 3/1980 Cummins D23/370

D. 282,101 1/1986 Yuen D23/328

965,783 7/1910 Wiedemann et al. 417/413

1,779,201 7/1927 Wickstrom 55/472

2,855,641 10/1958 Stein D23/364

2,994,405 8/1961 Barach et al. 423/210

3,278,114 10/1966 Gibbs 98/42.07

3,438,180 4/1969 Klouda D23/364

3,616,624 11/1971 Marsh 55/472

3,672,126 6/1972 Goettle 55/106

3,750,370 8/1973 Brauss et al. 55/279

3,930,818 1/1976 McDougall 55/414

[57] CLAIM

The ornamental design for an air filtration unit, as shown.

DESCRIPTION

FIG. 1 is a rear perspective view of an air filtration unit, showing our new design;

FIG. 2 is a rear elevational view thereof;

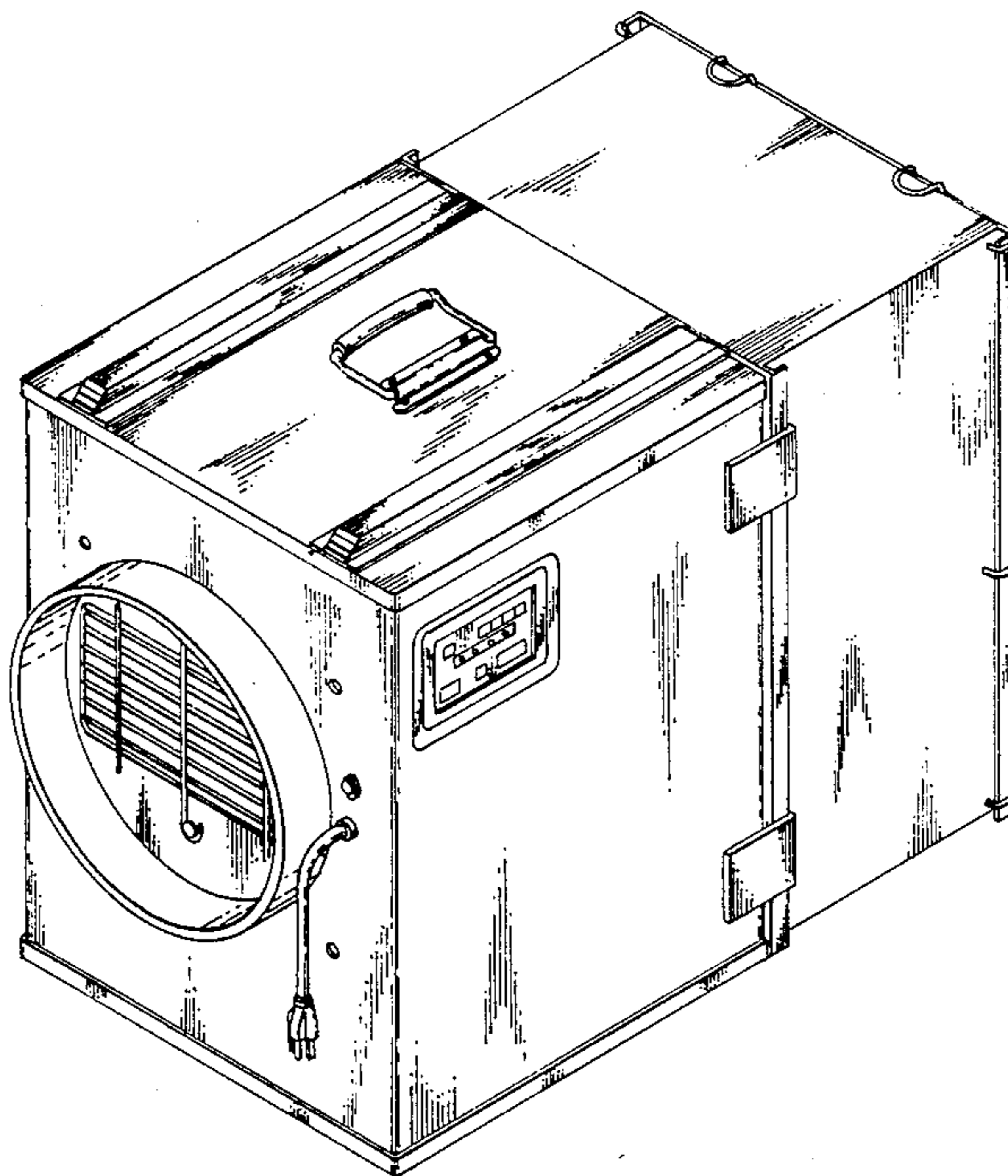
FIG. 3 is a front elevational view thereof;

FIG. 4 is a left side elevational view thereof;

FIG. 5 is a right side elevational view thereof;

FIG. 6 is a bottom plan view thereof; and

FIG. 7 is a top plan view thereof.



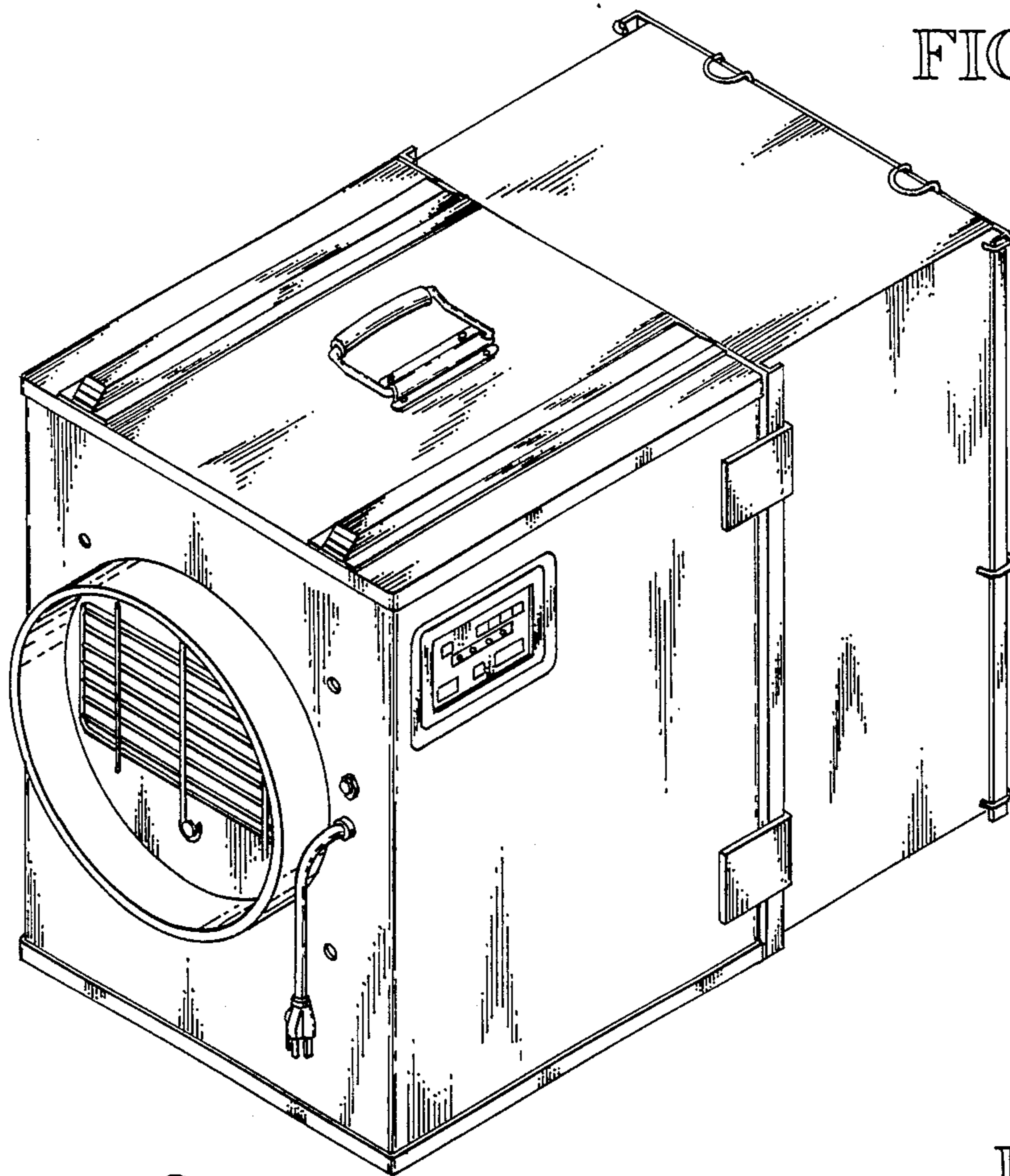


FIG. 1

FIG. 2

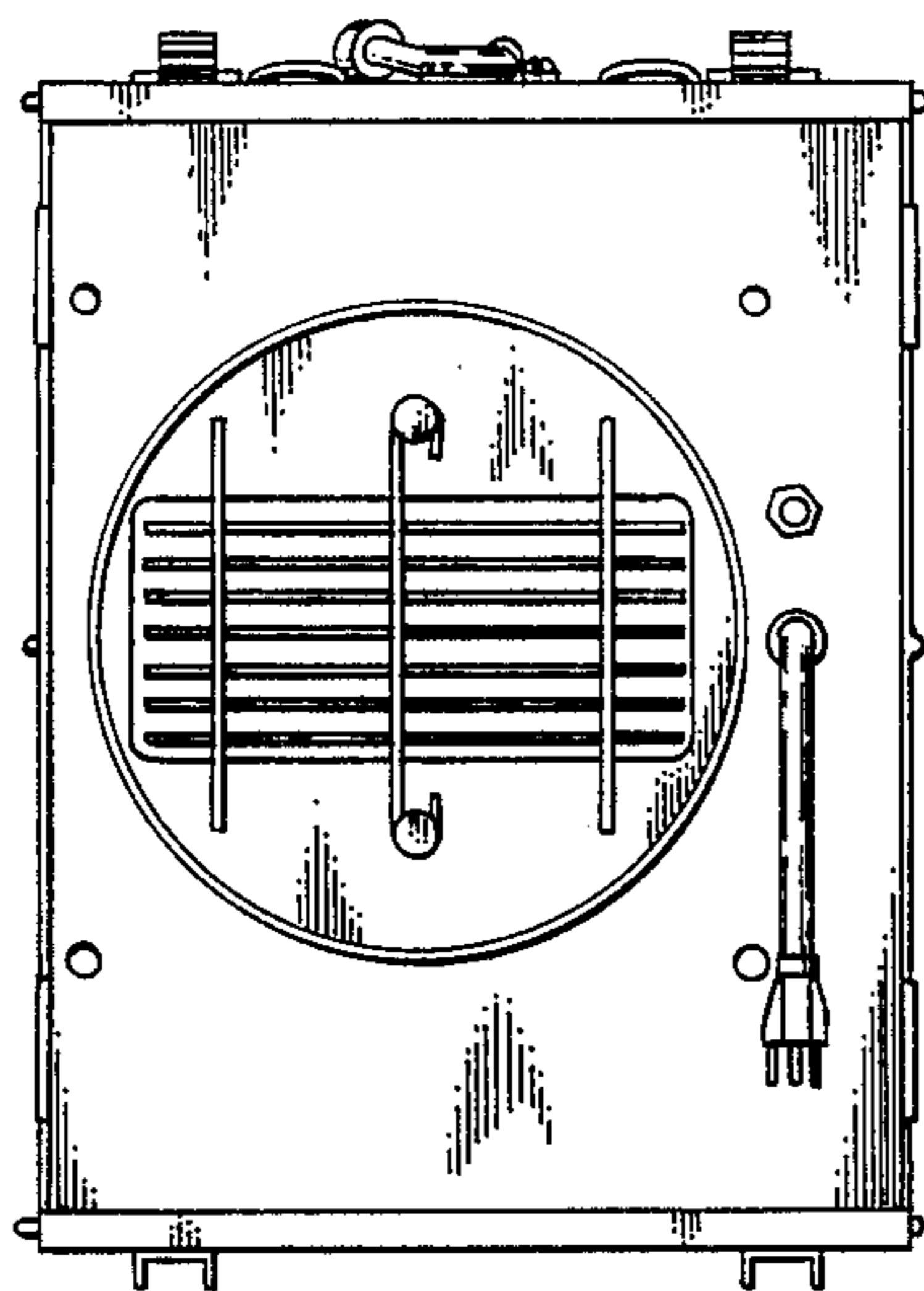
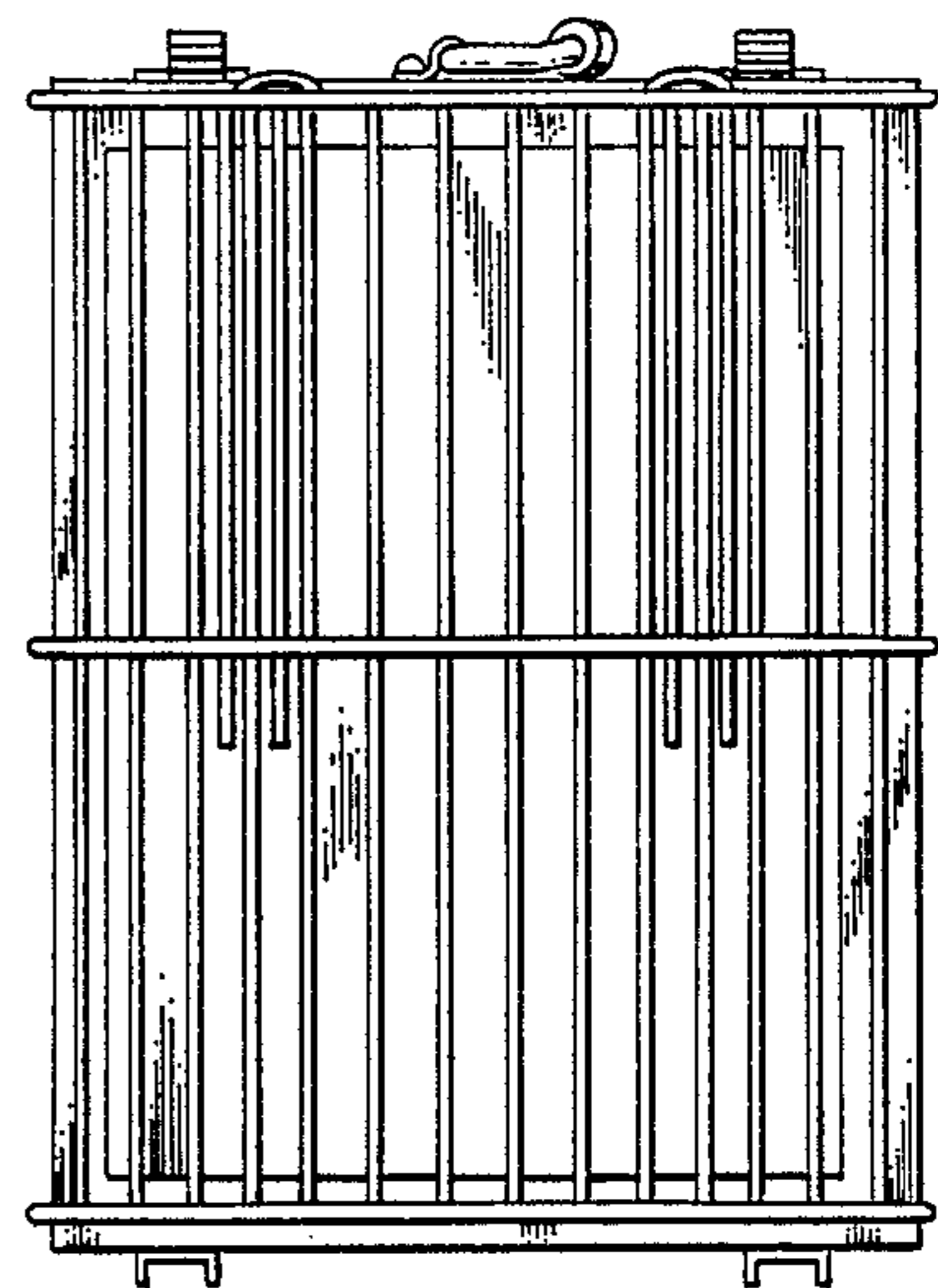


FIG. 3



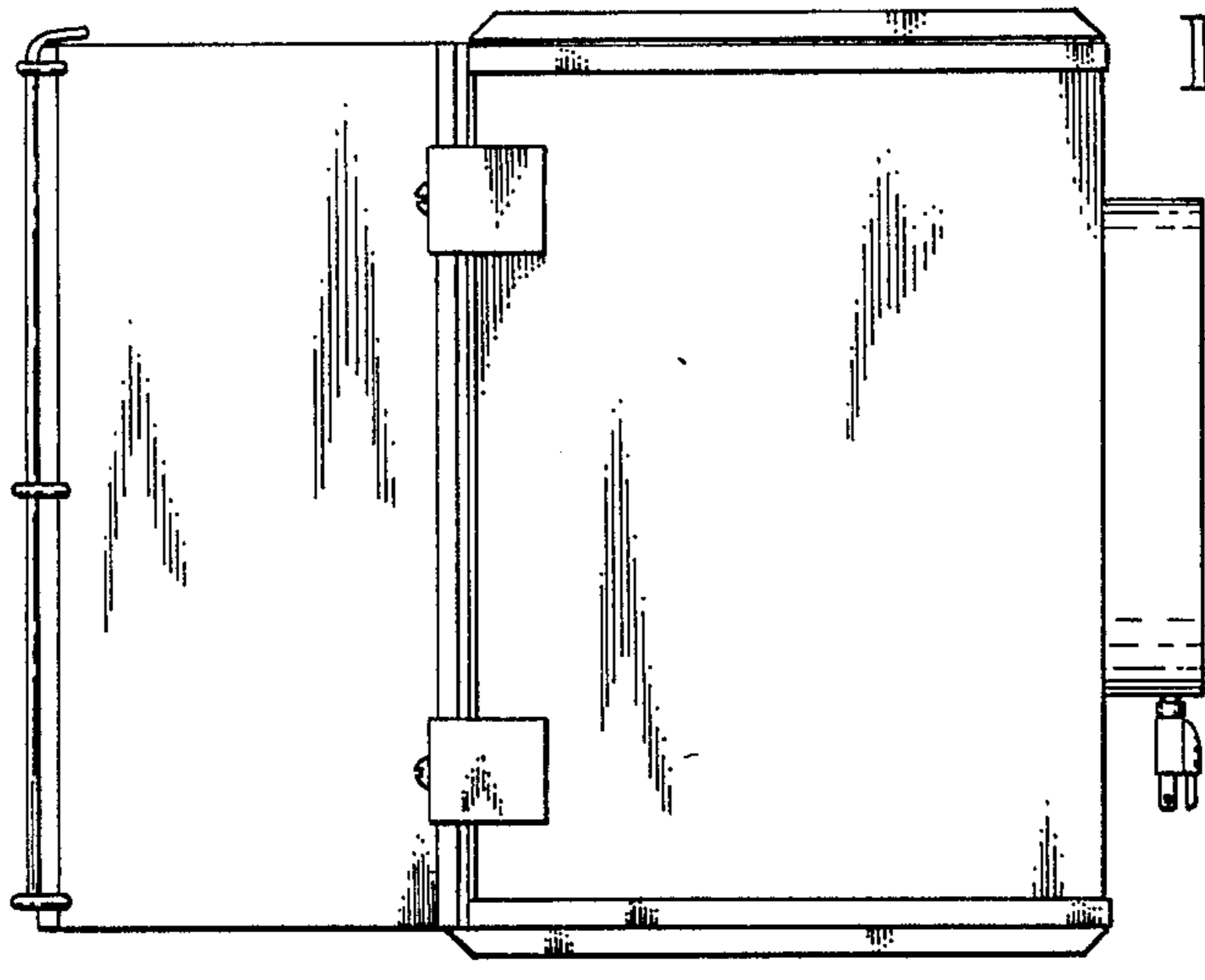


FIG. 4

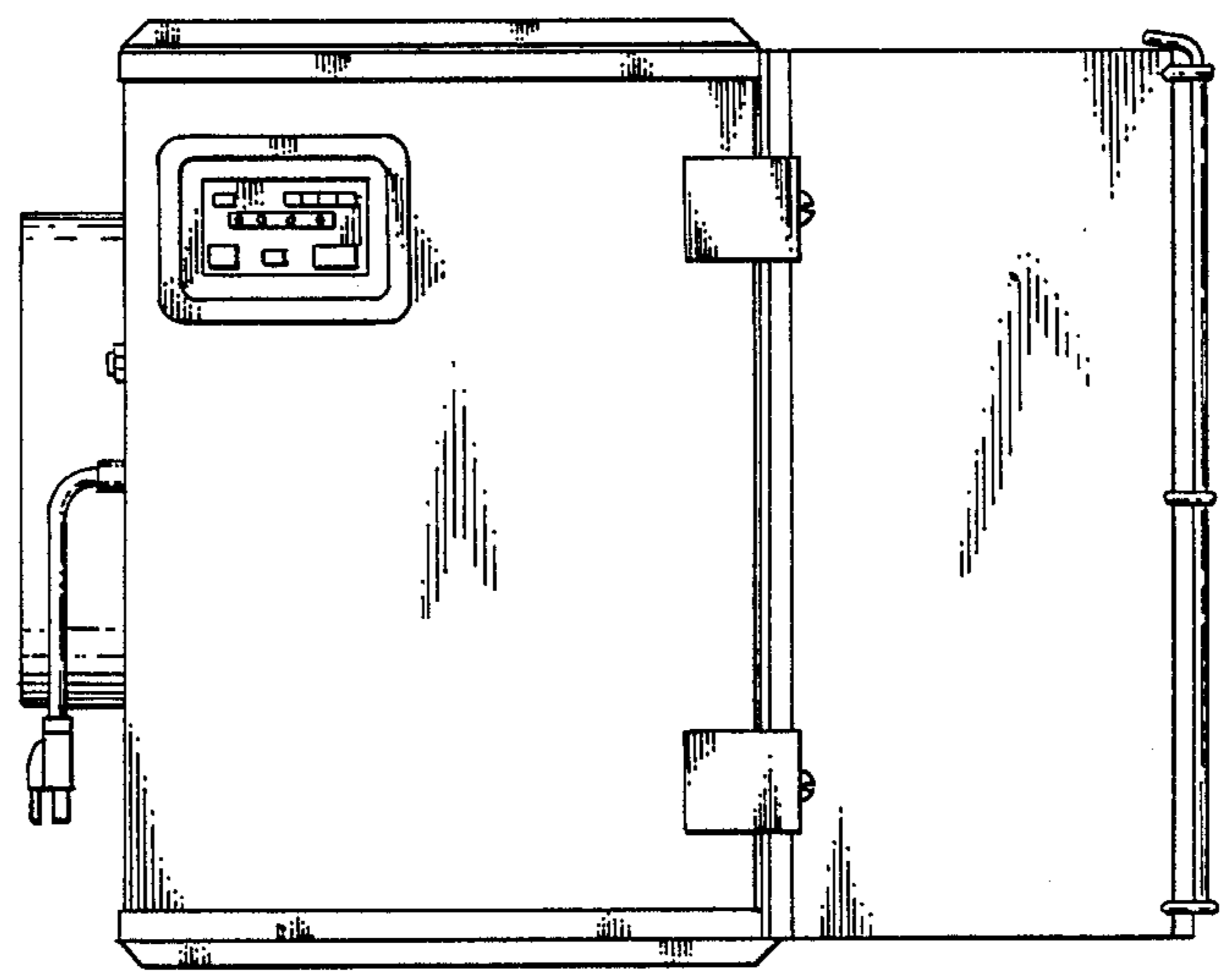


FIG. 5

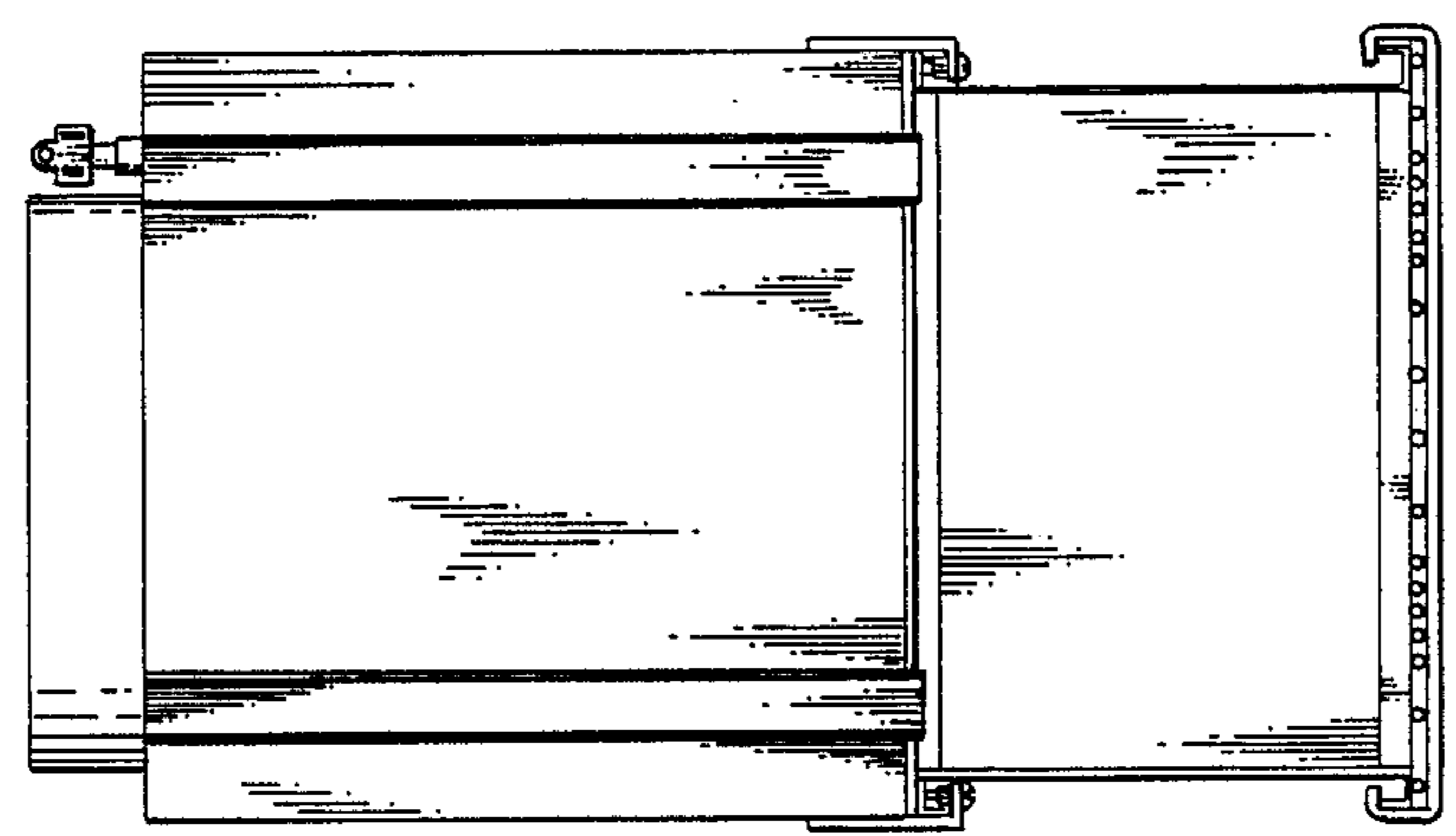


FIG. 6

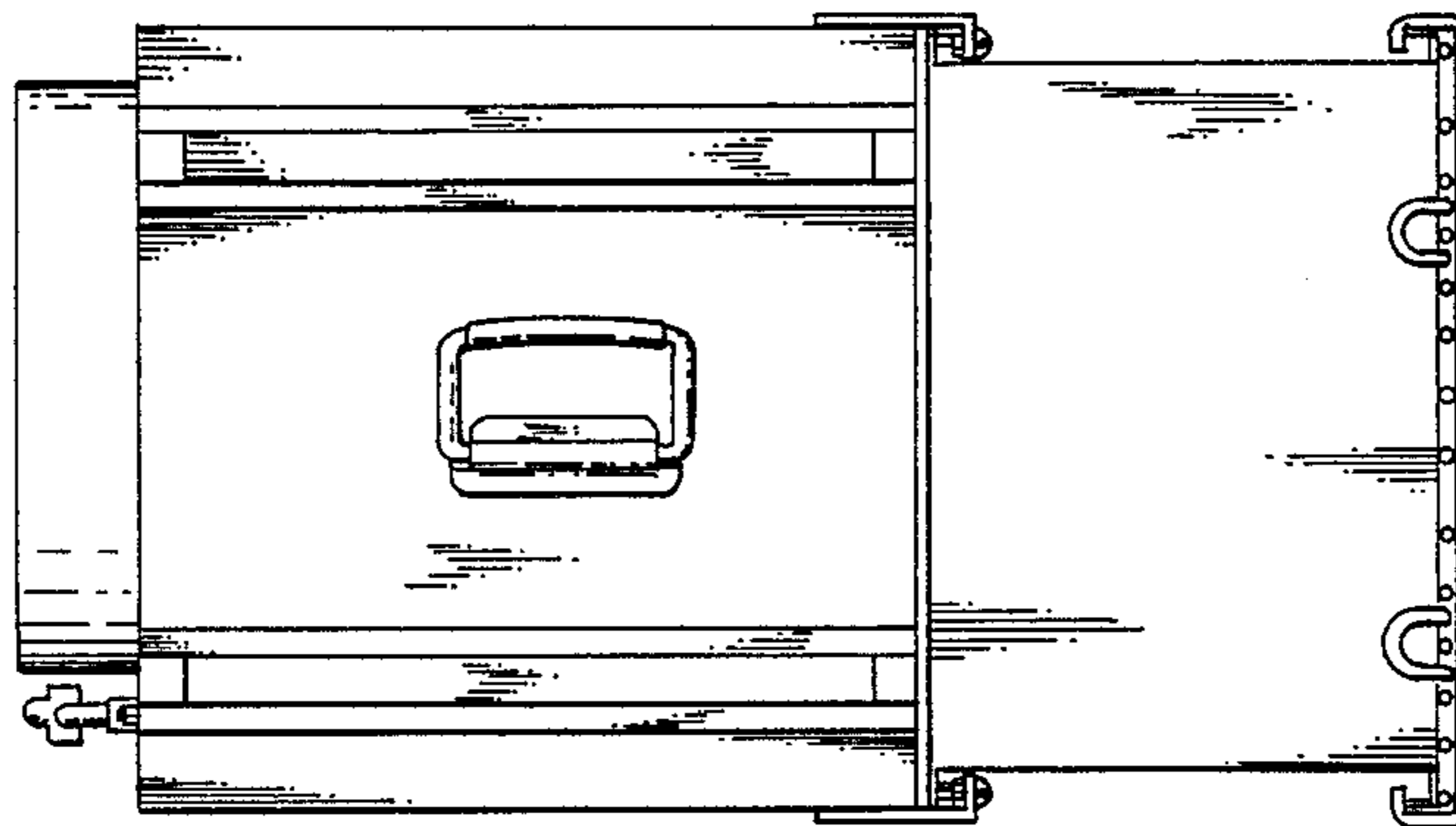


FIG. 7