

[54] HEALTH WORKER'S FACE SHIELD

[76] Inventor: Judith A. Curry, 56 S. Railroad Ave., Mahwah, N.J. 07430

[\*\*] Term: 14 Years

[21] Appl. No.: 128,507

[22] Filed: Dec. 3, 1987

[52] U.S. Cl. .... D29/17

[58] Field of Search ..... D29/7-10,  
D29/12, 15-18; 2/8-12, 15, 206, 417-418, 424;  
128/206.14, 132 R

[56] References Cited

U.S. PATENT DOCUMENTS

3,310,812 3/1967 Gaiser ..... 2/9  
3,828,366 8/1974 Conrad et al. .... 2/9

4,856,535 8/1989 Forbes ..... 2/9

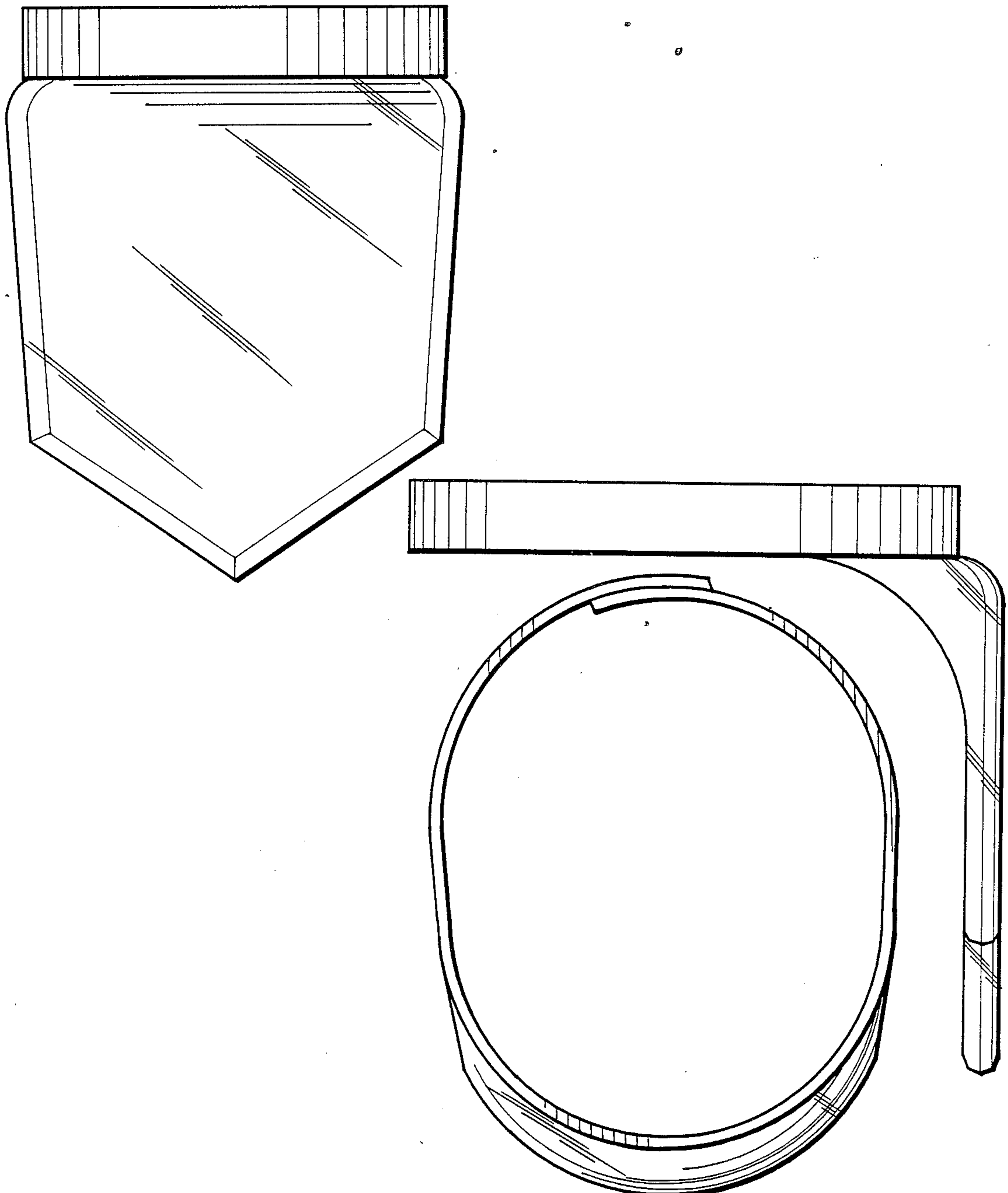
Primary Examiner—A. Hugo Word  
Assistant Examiner—Ruth T. McInroy  
Attorney, Agent, or Firm—Jerry T. Kearns

[57] CLAIM

The ornamental design for a health worker's face shield, as shown and described.

DESCRIPTION

FIG. 1 is a front elevational view of a health worker's face shield showing my new design;  
FIG. 2 is a rear elevational view thereof;  
FIG. 3 is a left side elevational view thereof;  
FIG. 4 is a right side elevational view thereof;  
FIG. 5 is a top plan view thereof; and,  
FIG. 6 is a bottom plan view thereof.



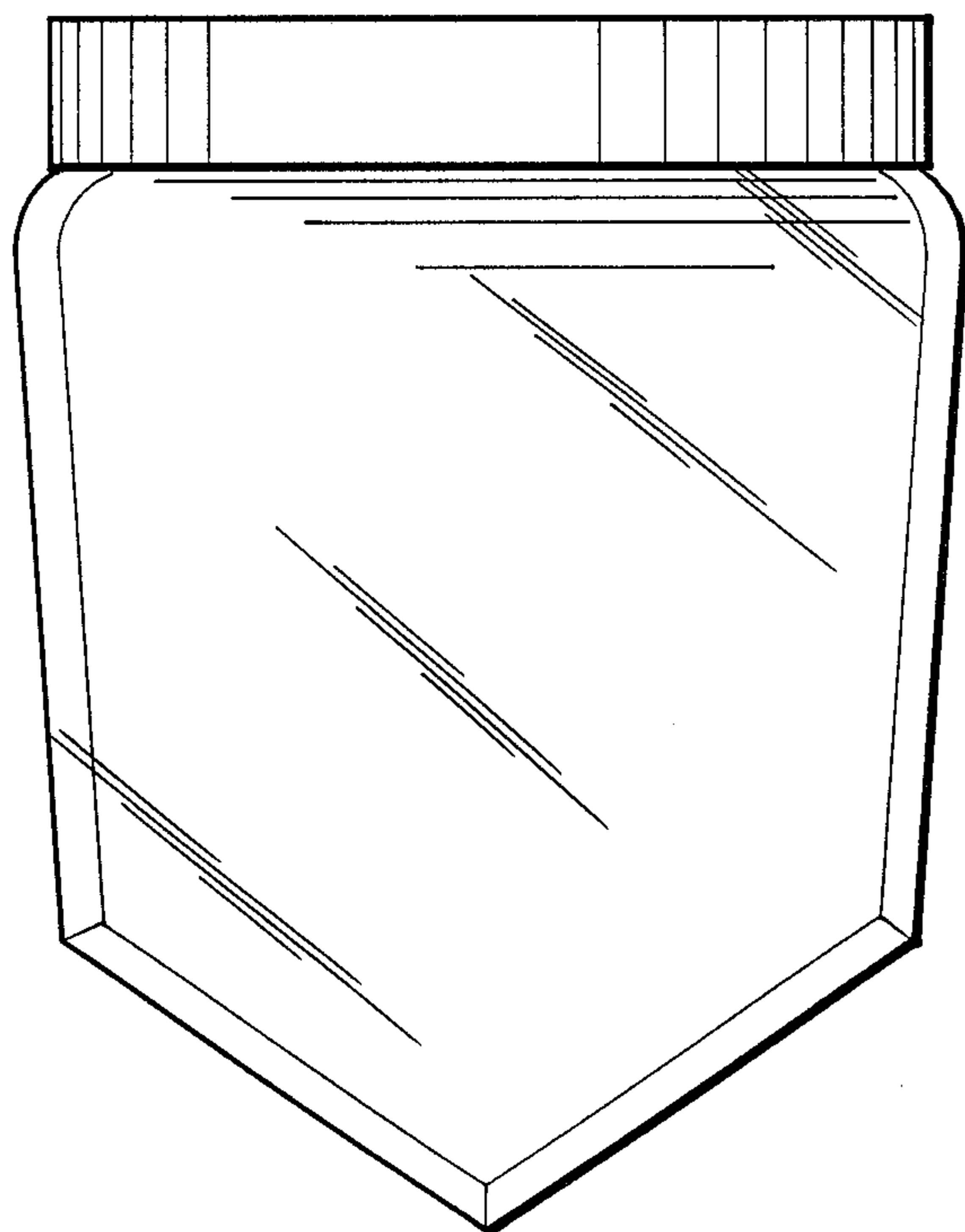


Fig. 1

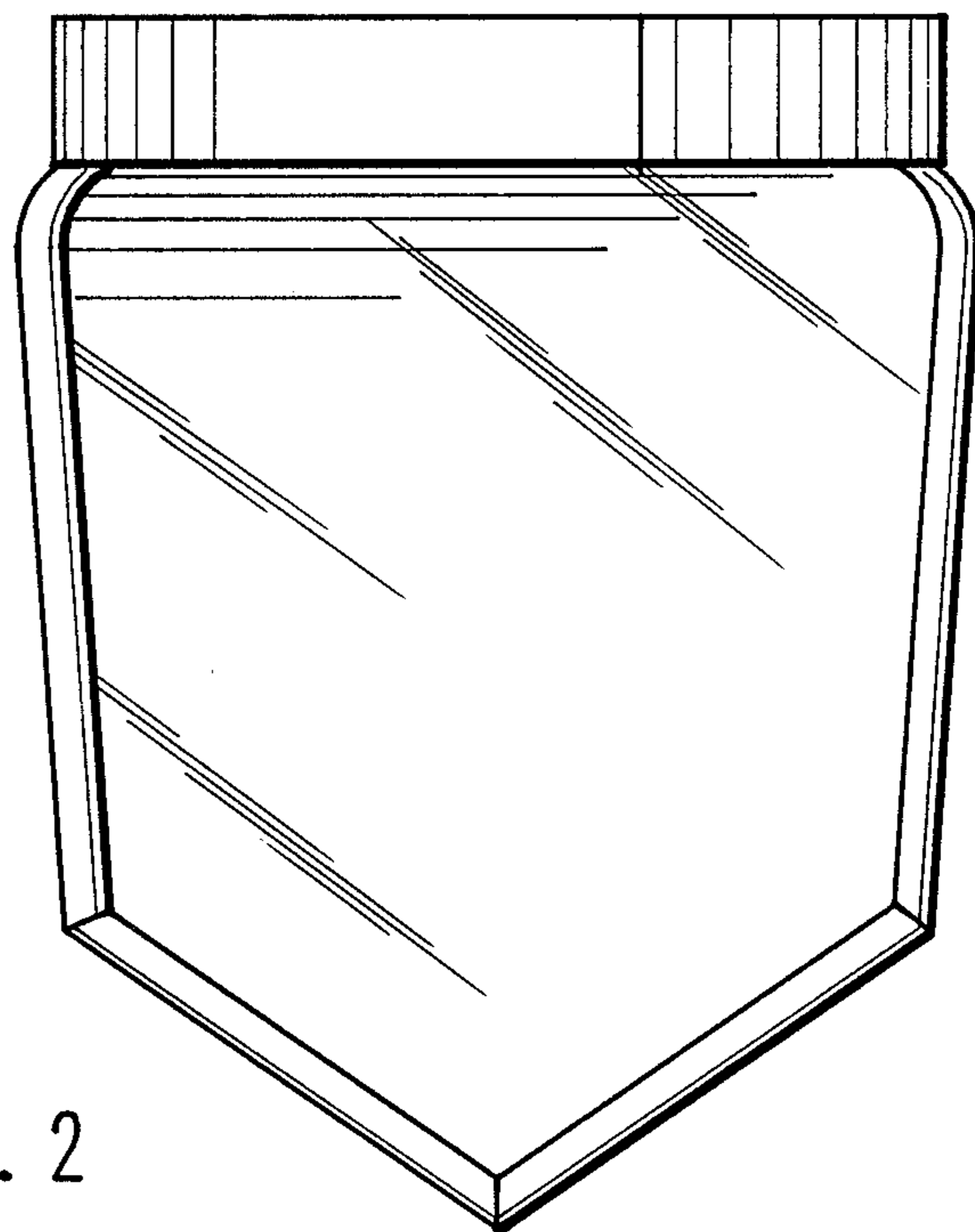


Fig. 2

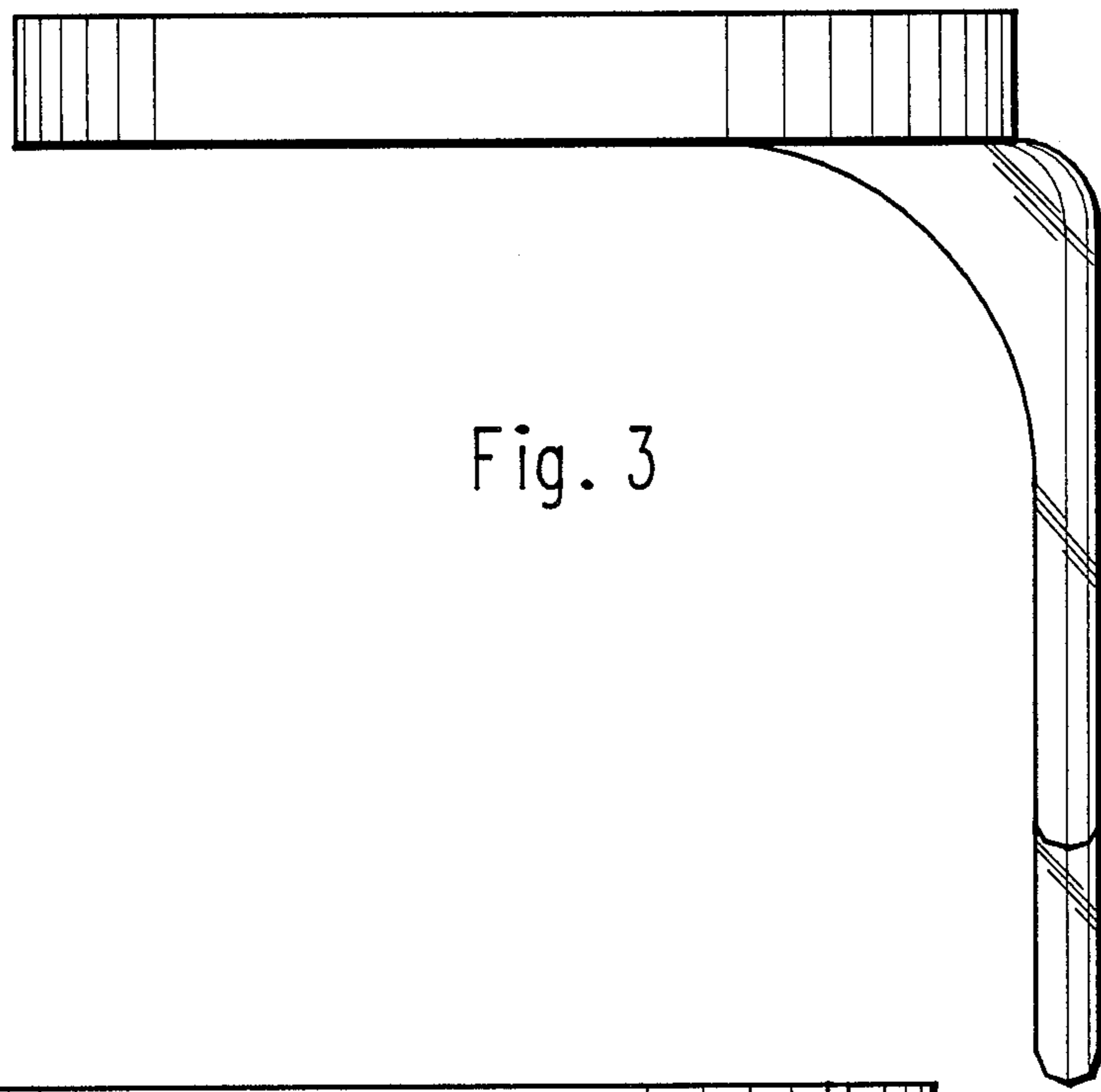


Fig. 3

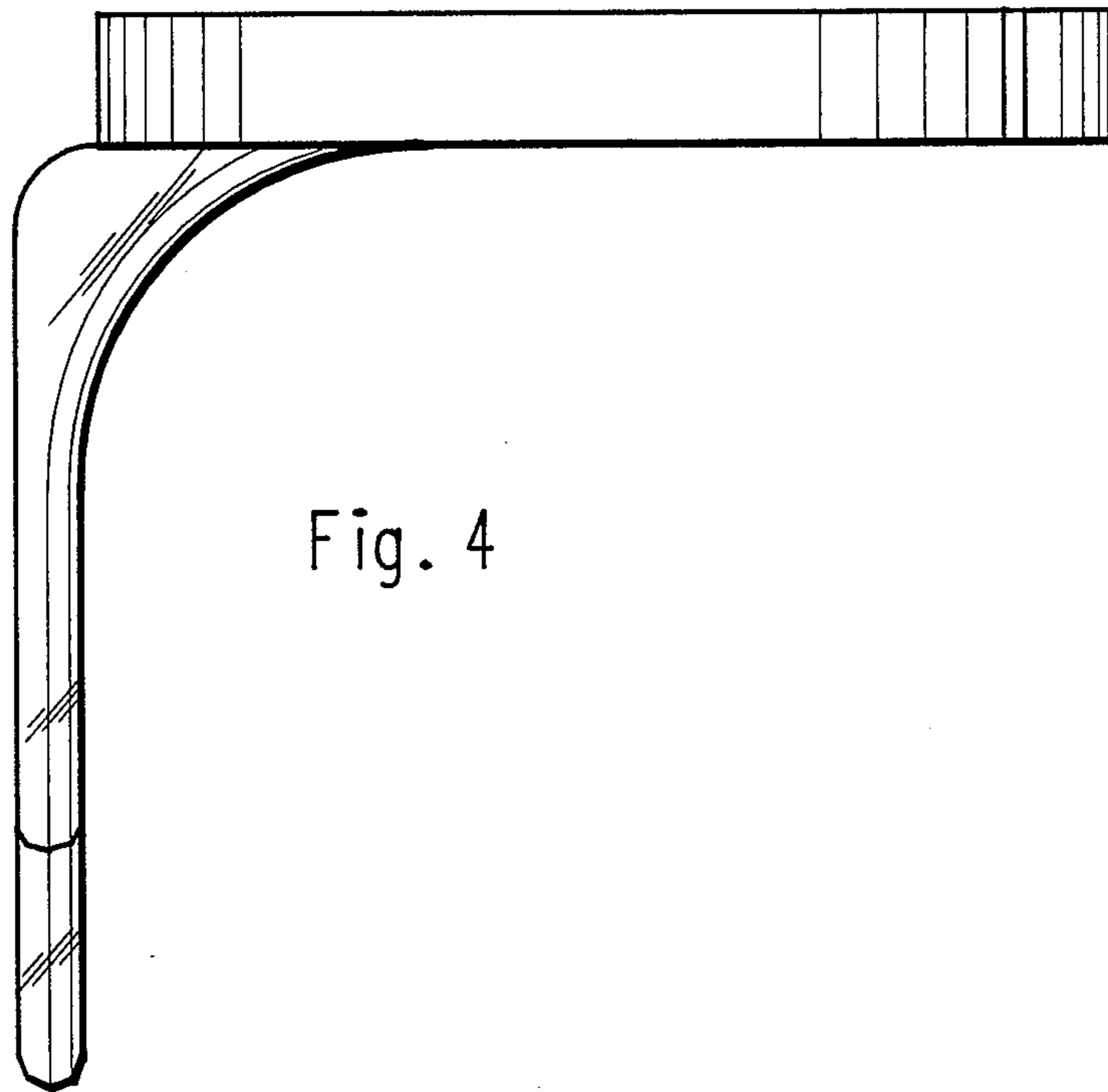


Fig. 4

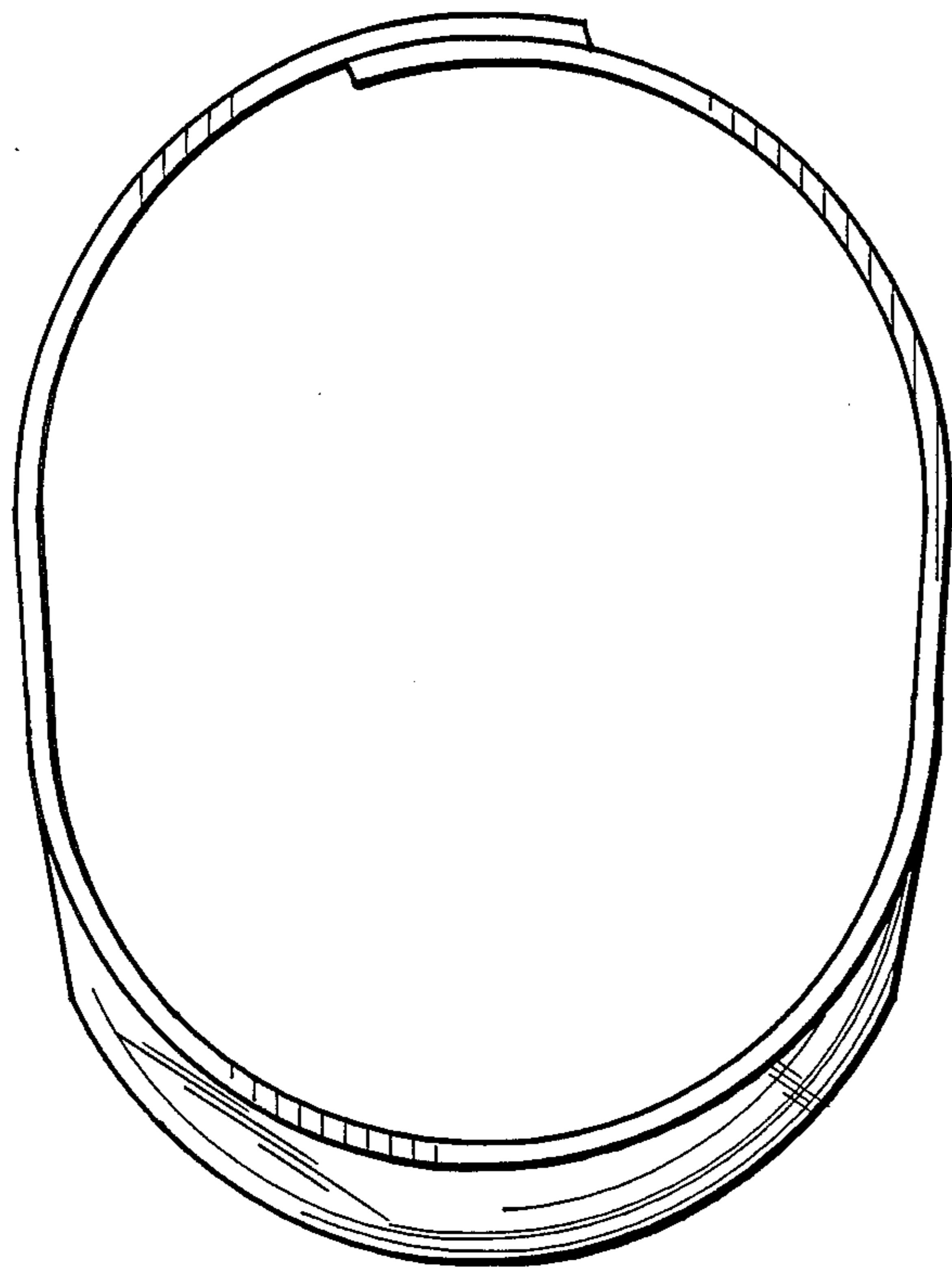


Fig. 5

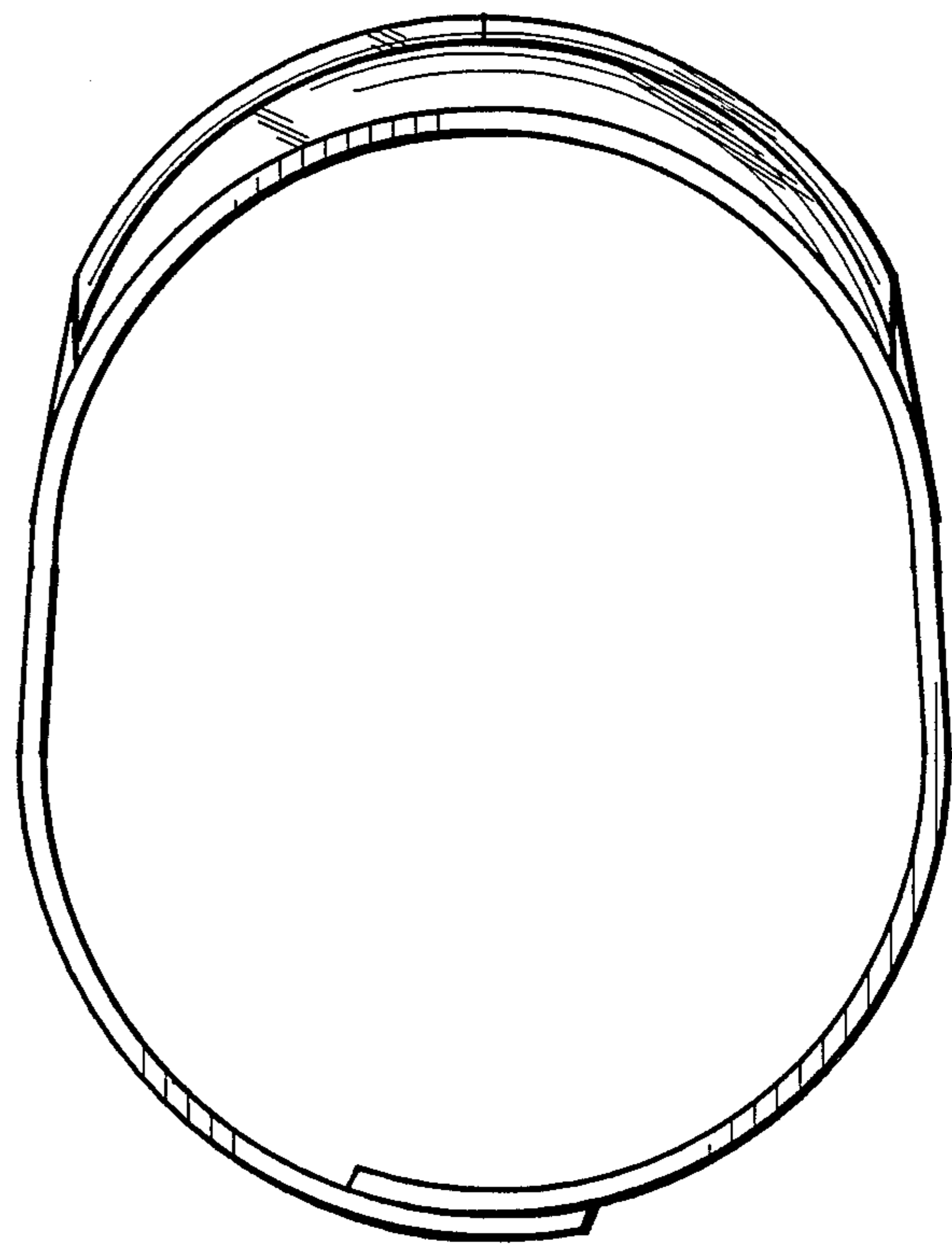


Fig. 6