

[54] **DENTAL FLOSS CONTAINER**
[76] **Inventor: Rosemary M. Smith, 85 Cocasset St.,
Foxboro, Mass. 02035**
[**] **Term: 14 Years**
[21] **Appl. No.: 51,610**
[22] **Filed: May 20, 1987**
[52] **U.S. Cl. D28/64**
[58] **Field of Search D28/64; 132/321, 322,
132/323, 324, 325, 326, 327, 328, 329; D9/307,
314; 206/457**

4,330,014 5/1982 Glass et al. 132/321

Primary Examiner—Susan J. Lucas
Assistant Examiner—M. H. Tung
Attorney, Agent, or Firm—Wolf, Greenfield & Sacks

[57] **CLAIM**

The ornamental design for a dental floss container, as shown and described.

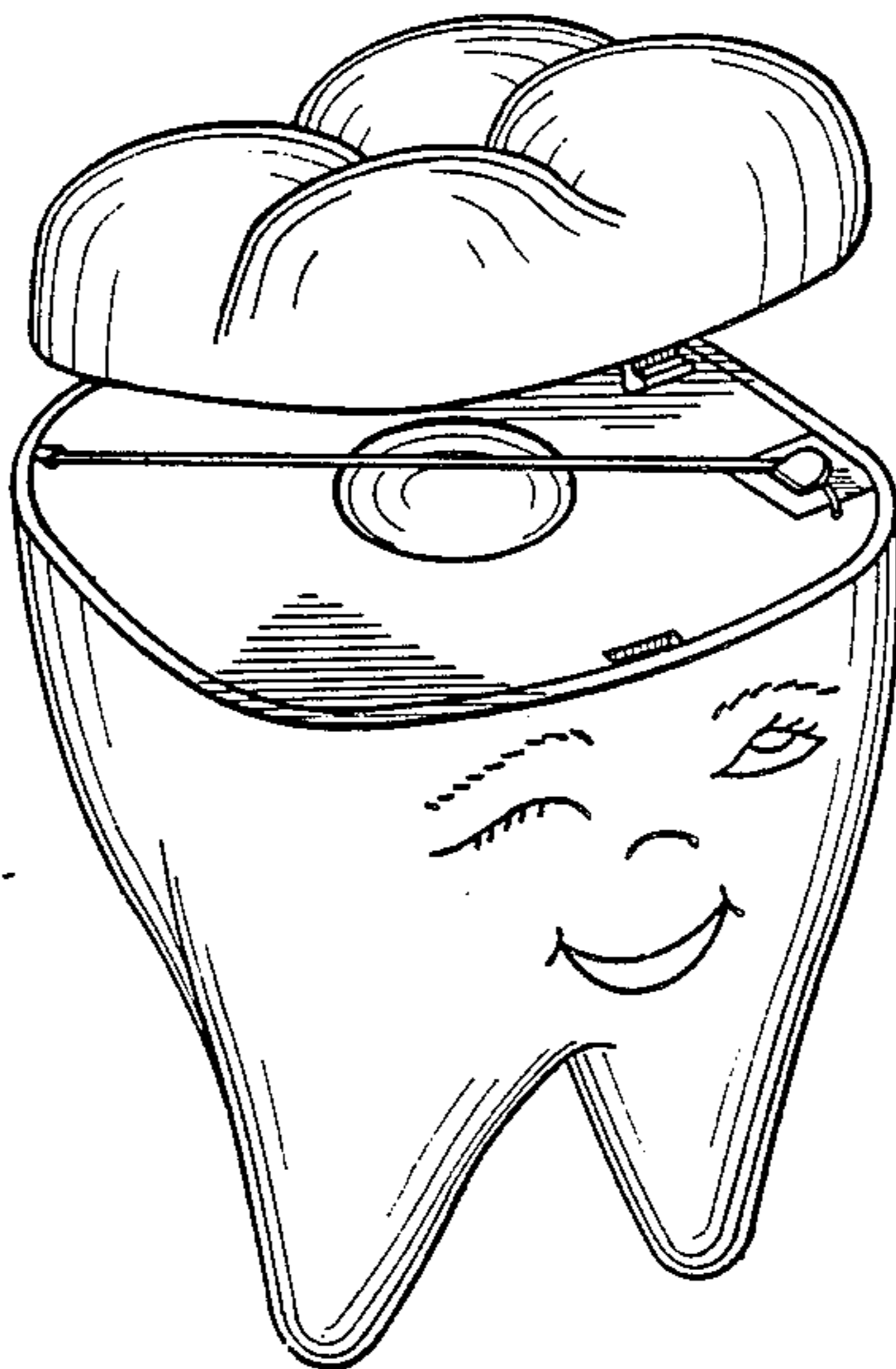
DESCRIPTION

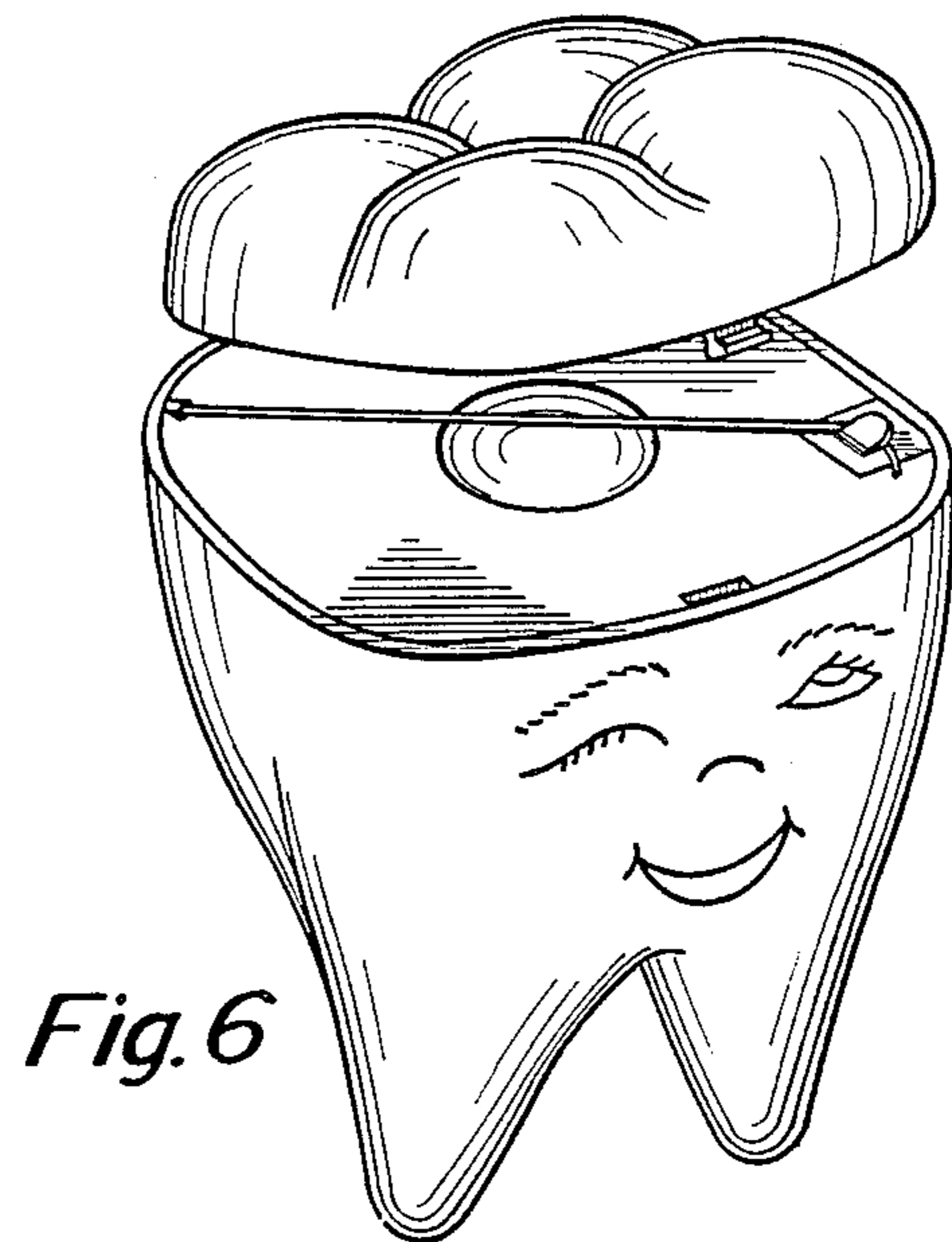
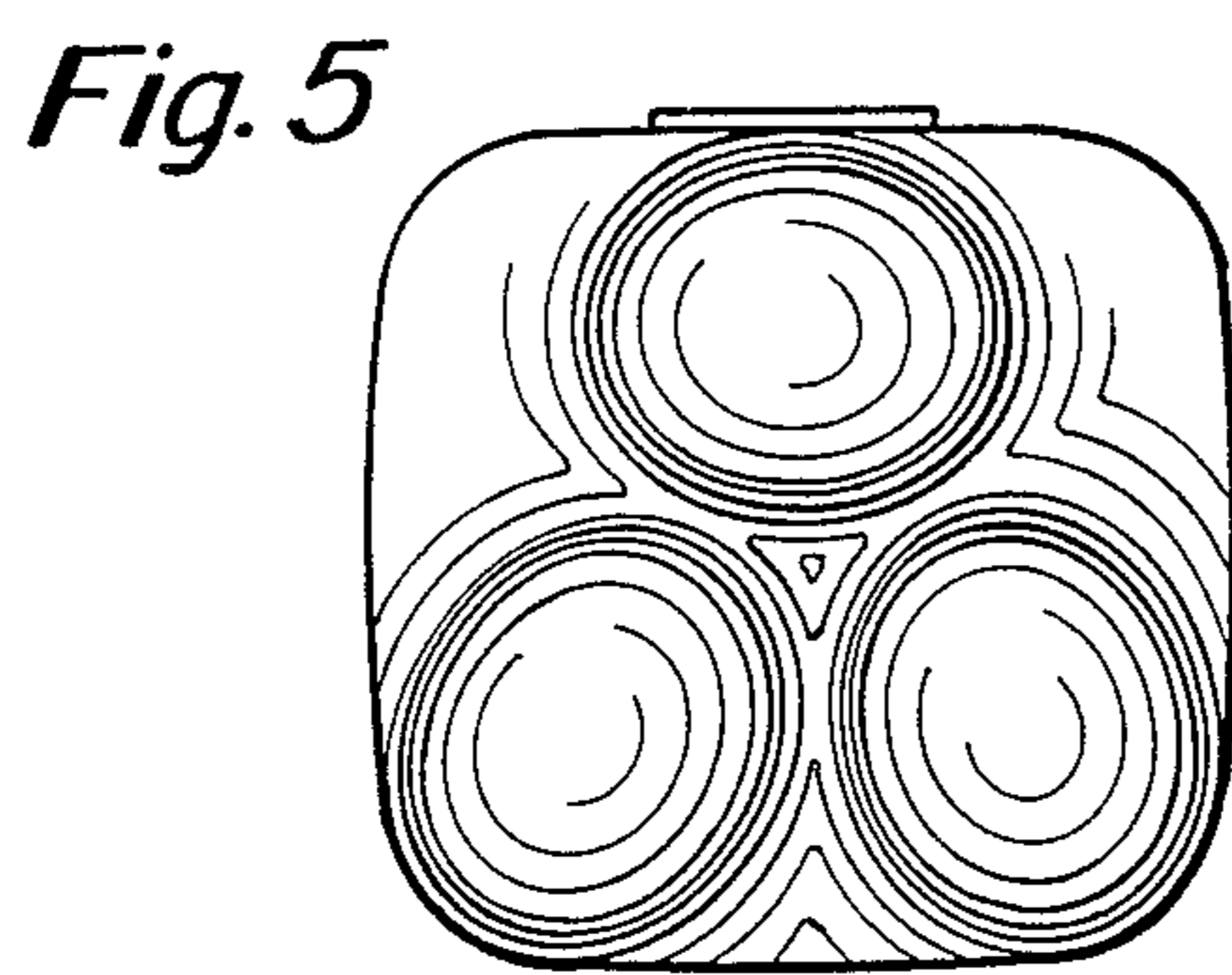
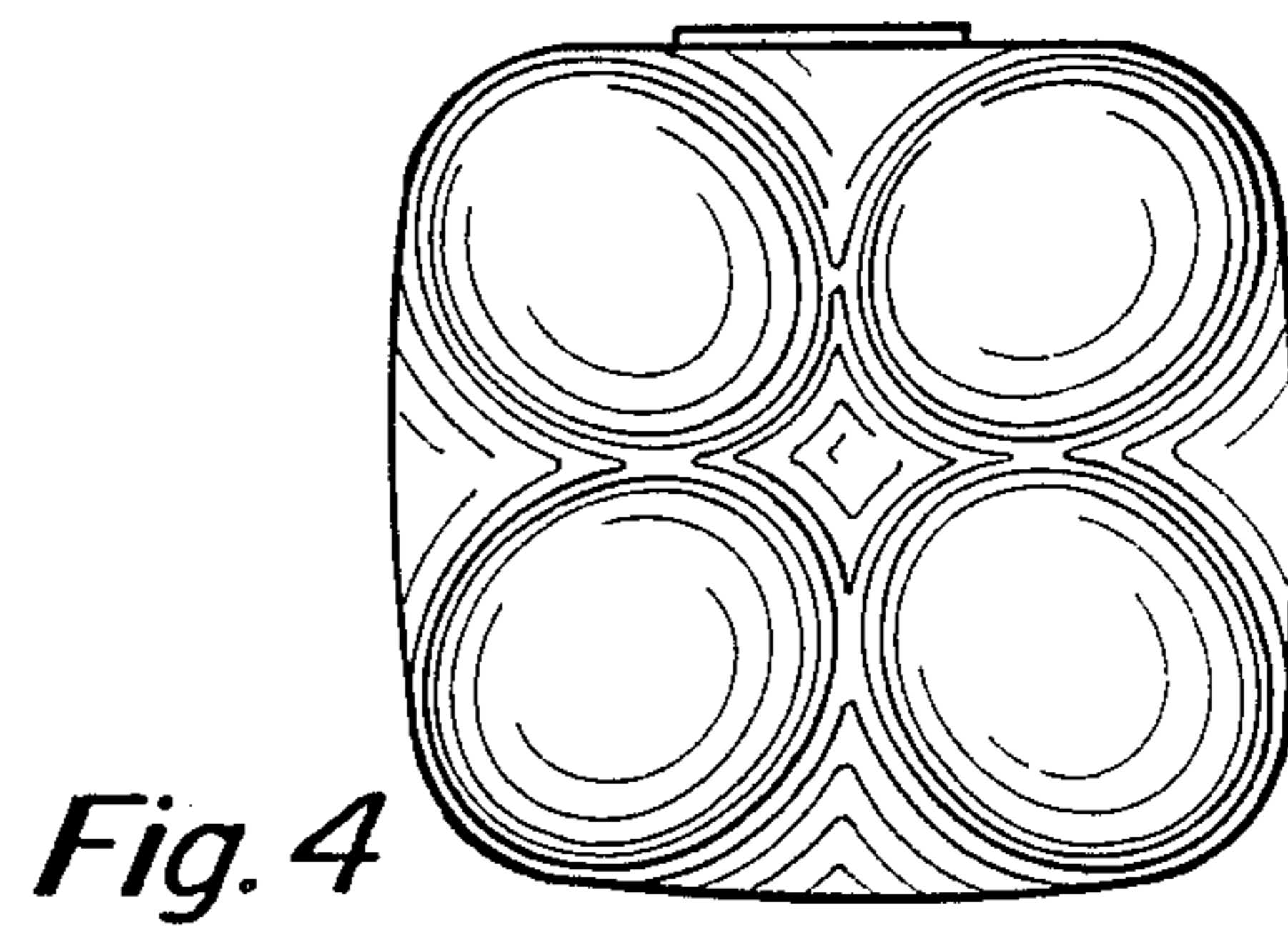
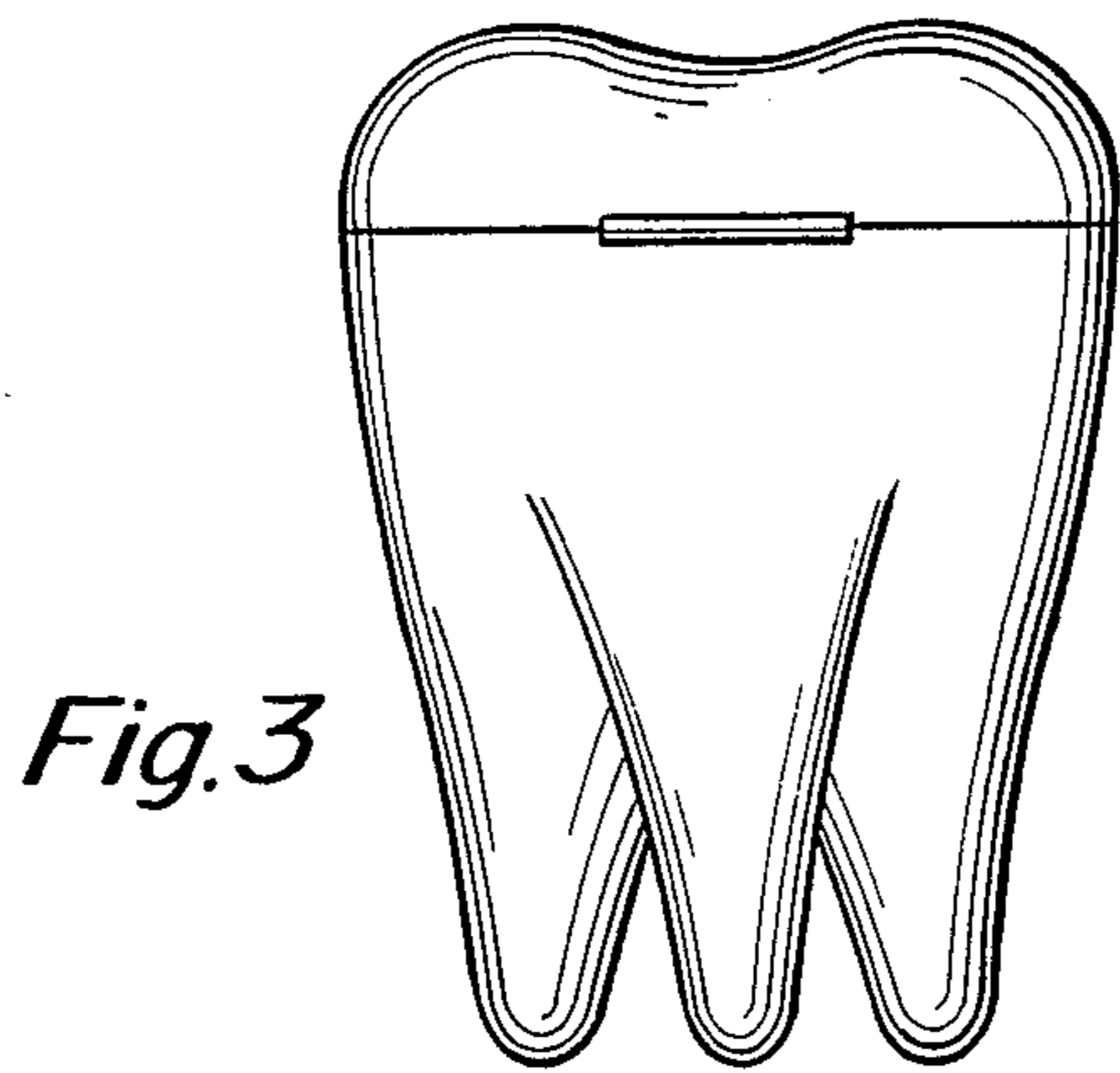
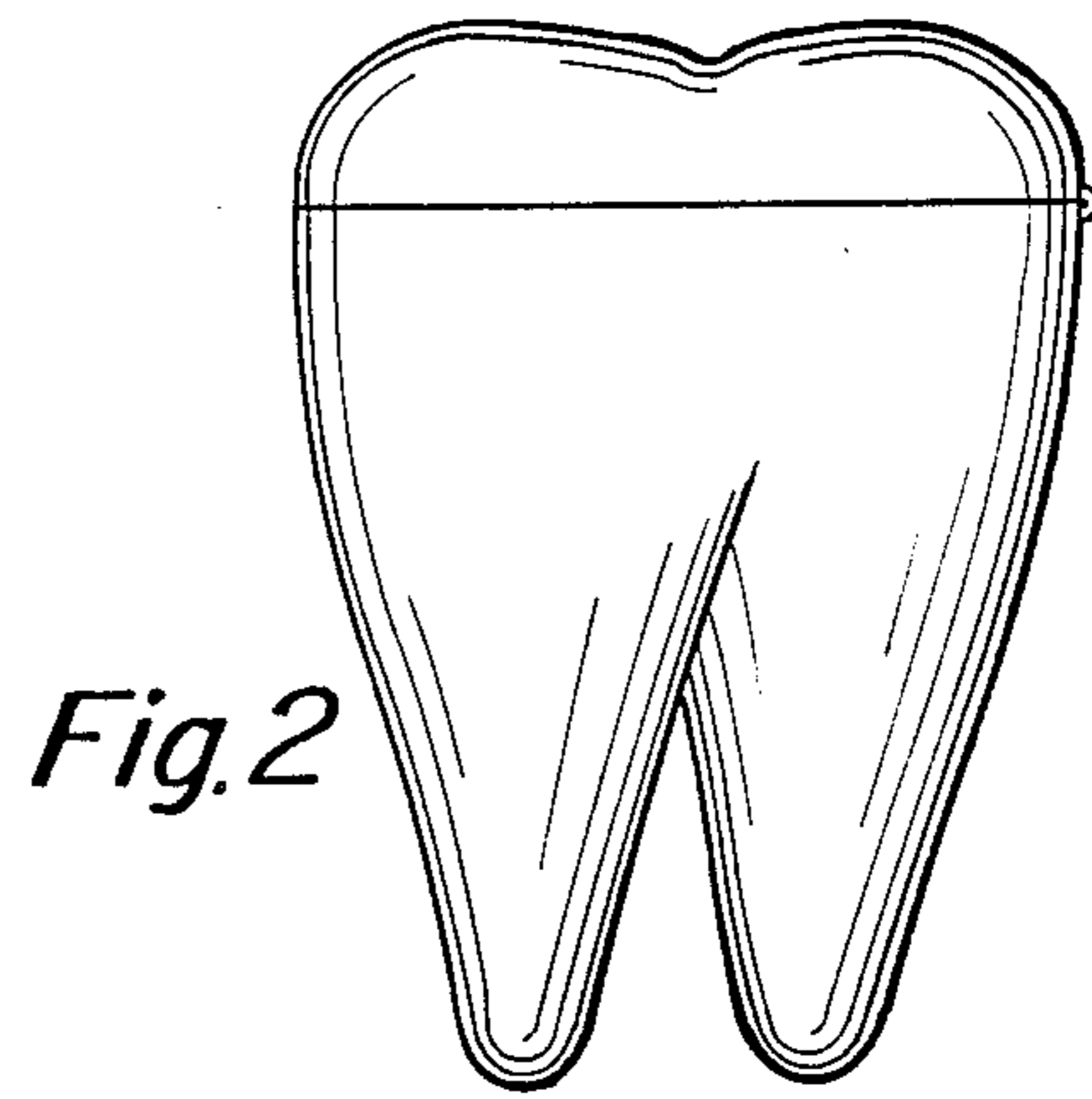
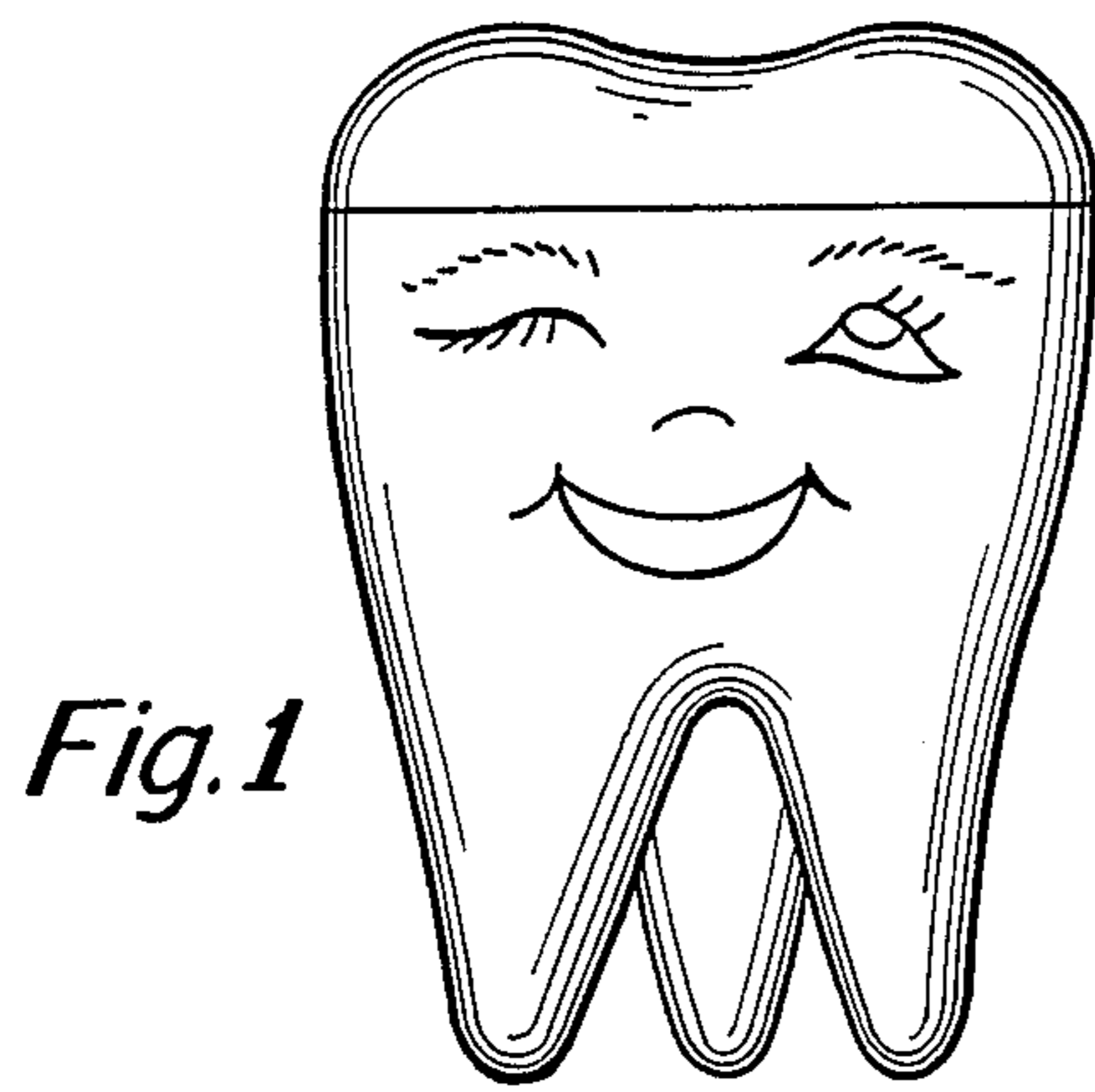
FIG. 1 is a front elevational view of a dental floss container showing my new design;
FIG. 2 is a side elevational view thereof;
FIG. 3 is a rear elevational view thereof;
FIG. 4 is a top plan view thereof;
FIG. 5 is a bottom plan view thereof;
FIG. 6 is a perspective view thereof, the lid partially raised for a complete disclosure; and
FIG. 7 is a side elevational view thereof.

[56] **References Cited**

U.S. PATENT DOCUMENTS

D. 228,188 8/1973 Howison D28/64
D. 257,402 10/1980 Denton et al. D28/64
D. 271,431 11/1983 Seelig D28/64
4,308,880 1/1982 Graves 132/321





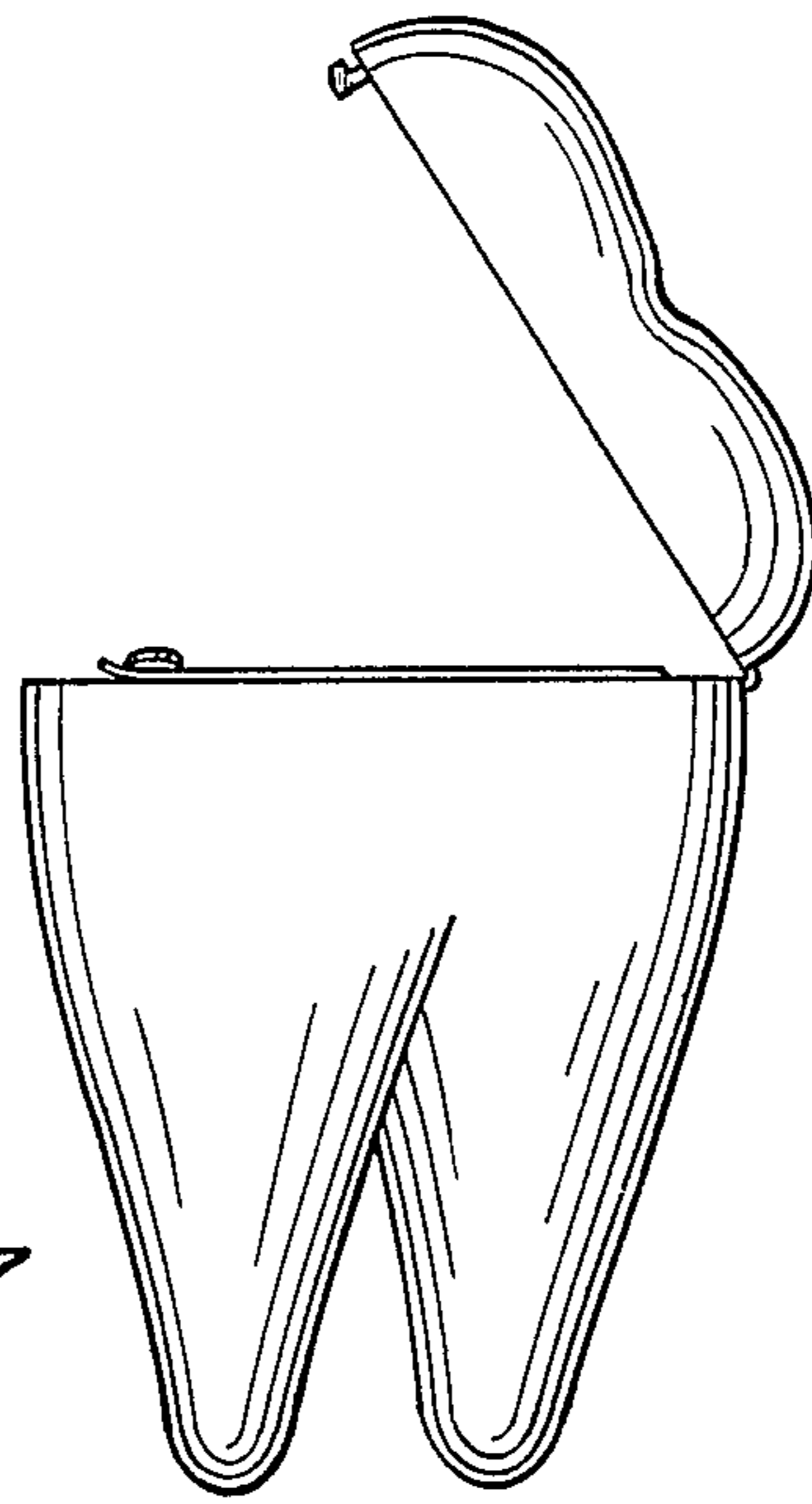


Fig. 7