

[54] **WALL LAMP**

[75] **Inventor: Gianfranco Frattini, Milan, Italy**

[73] **Assignee: Artemide S.p.A., Milan, Italy**

[**] **Term: 14 Years**

[21] **Appl. No.: 280,392**

[22] **Filed: Dec. 5, 1988**

[30] **Foreign Application Priority Data**

Jun. 10, 1988 [IT] Italy 21407[U]

[52] **U.S. Cl. D26/87**

[58] **Field of Search D26/72, 80-92;
362/147, 404-408, 432, 362**

[56] **References Cited**

U.S. PATENT DOCUMENTS

D. 124,182 12/1940 McCann D26/87

OTHER PUBLICATIONS

Paul Associates Price List, 10-1-1985, Wall Sconce, #5051.

Primary Examiner—Susan J. Lucas

Attorney, Agent, or Firm—Guido Modiano; Albert Josif

[57] **CLAIM**

The ornamental design for a wall lamp, as shown.

DESCRIPTION

FIG. 1 is a front perspective view of a wall lamp showing my new design;

FIG. 2 is a front elevational view thereof;

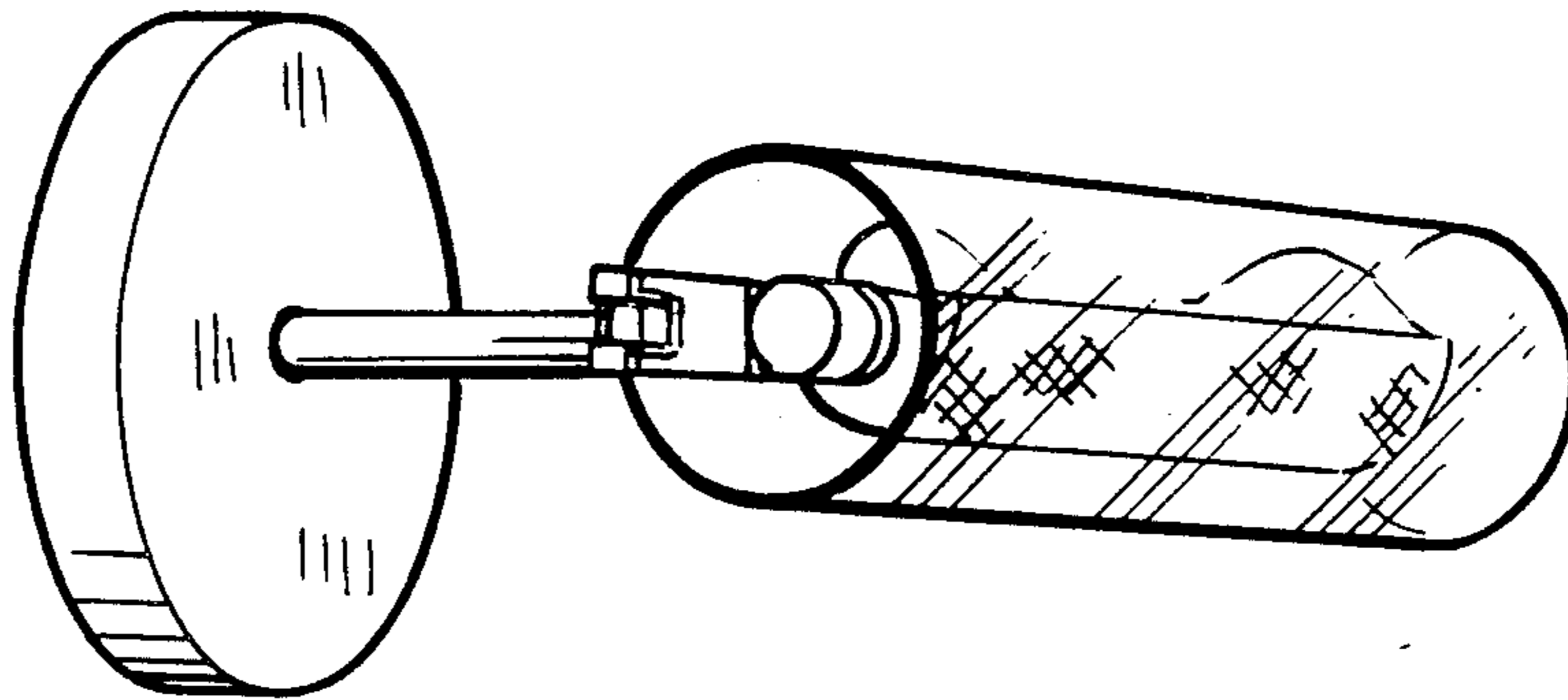
FIG. 3 is a rear elevational view thereof;

FIG. 4 is a right hand side elevational view thereof;

FIG. 5 is a left hand side elevational view thereof;

FIG. 6 is a top plan view thereof;

FIG. 7 is a bottom plan view thereof.



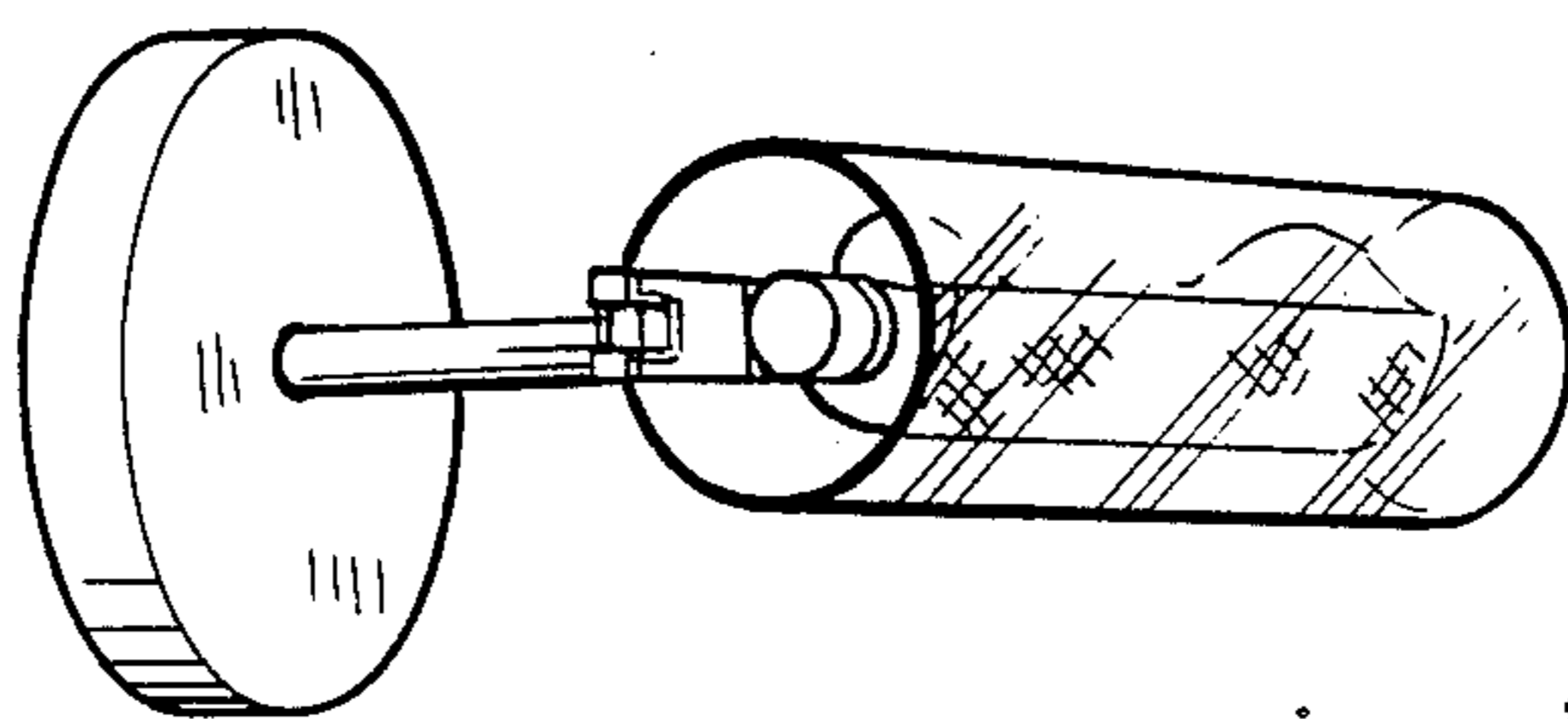


FIG. 1

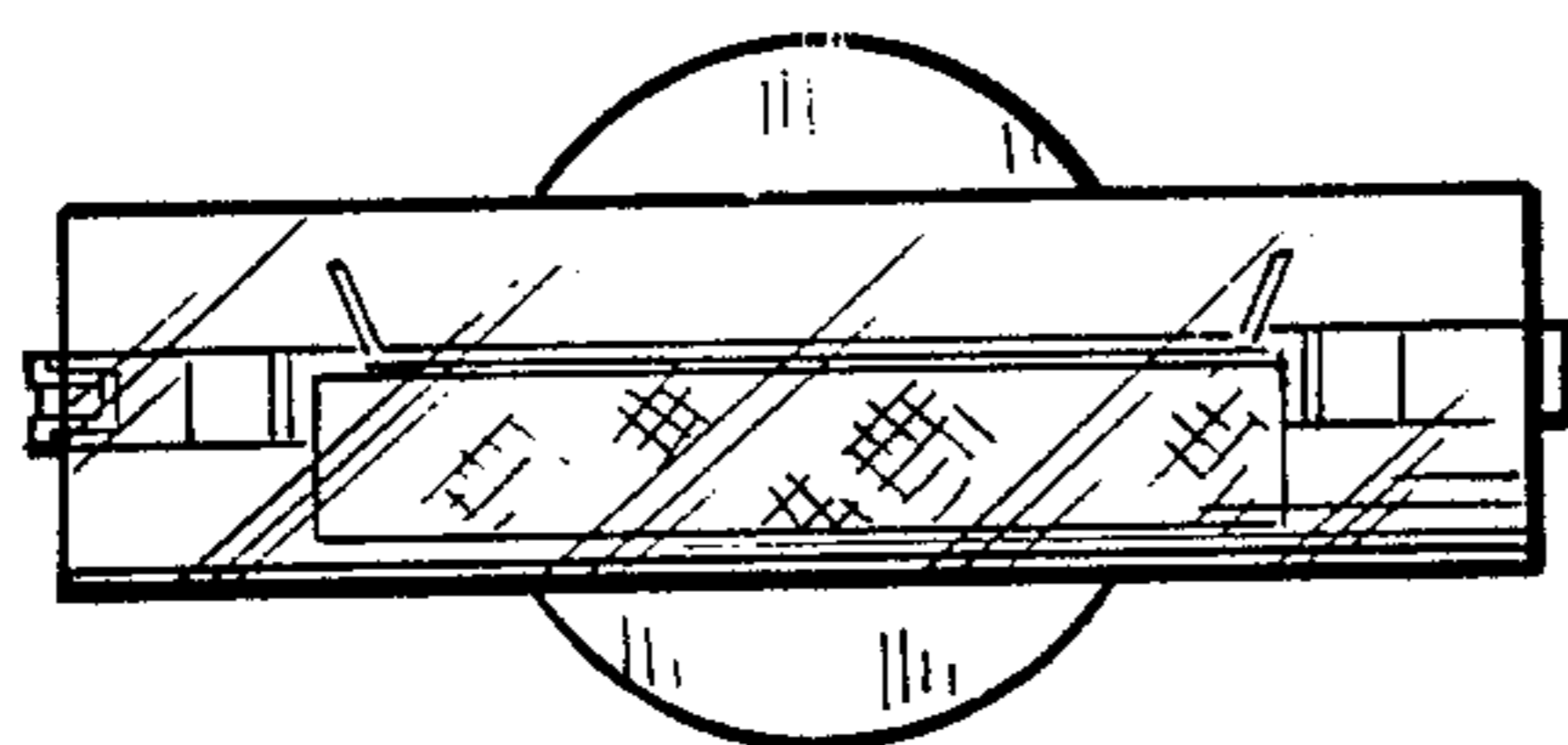


FIG. 2

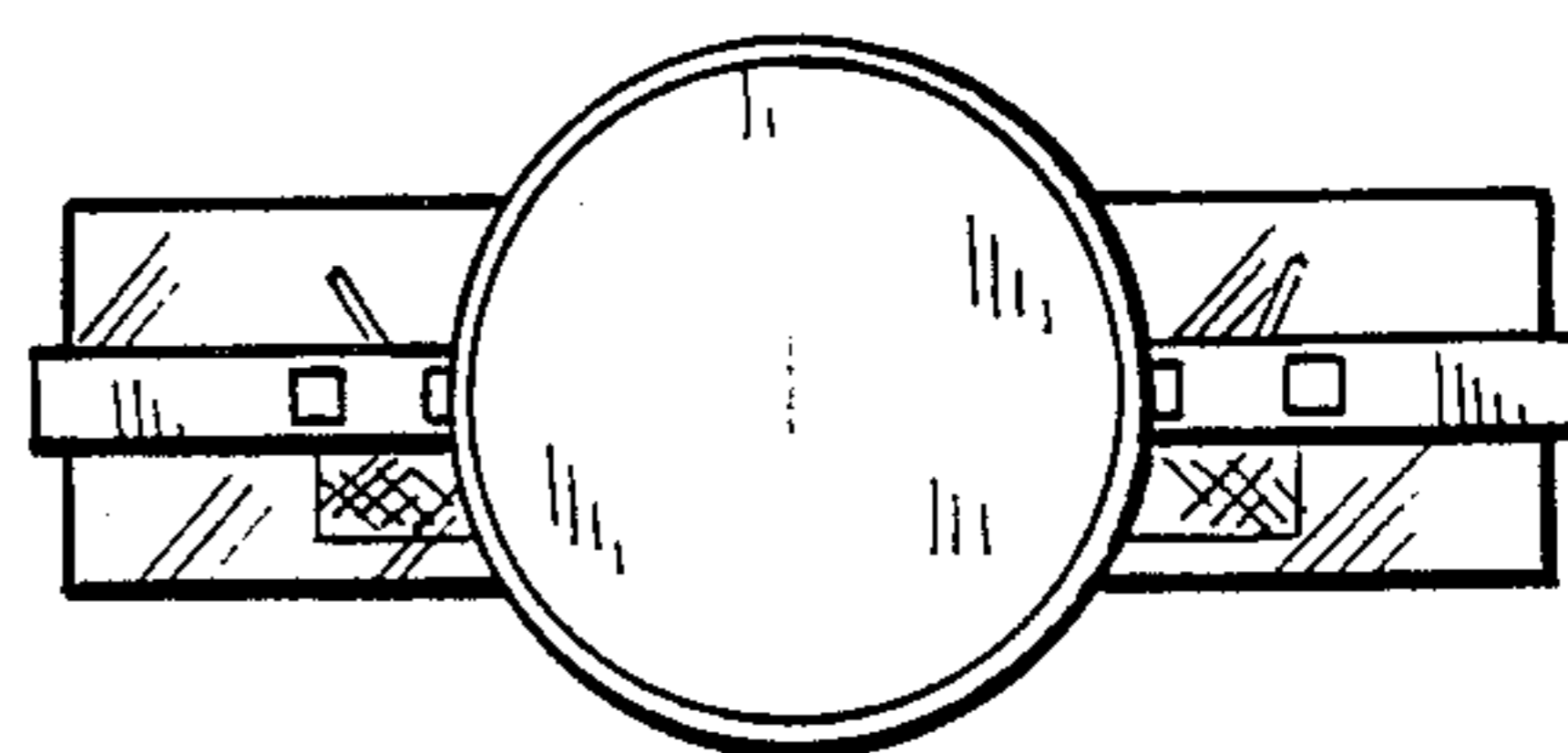


FIG. 3

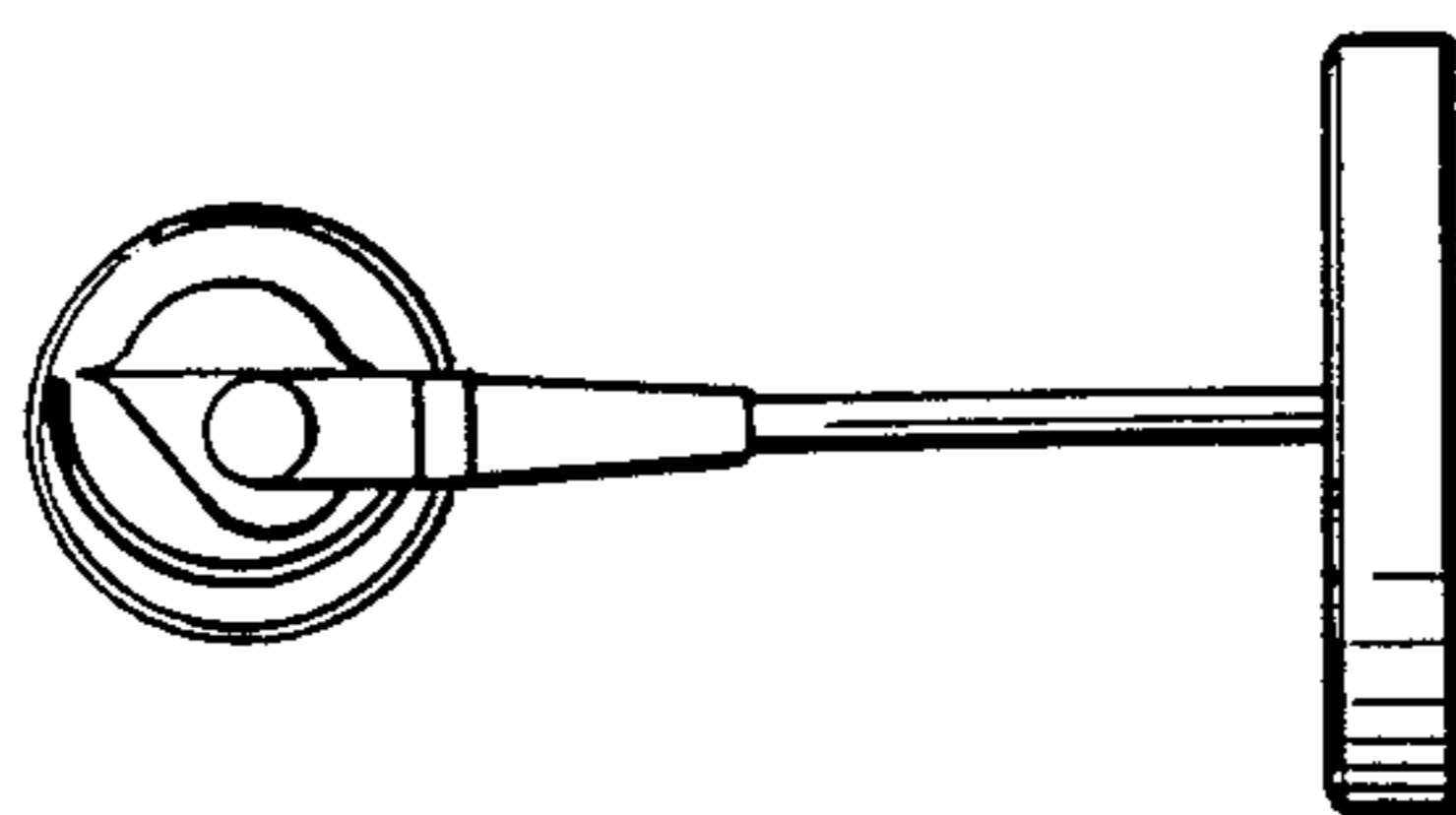


FIG. 4

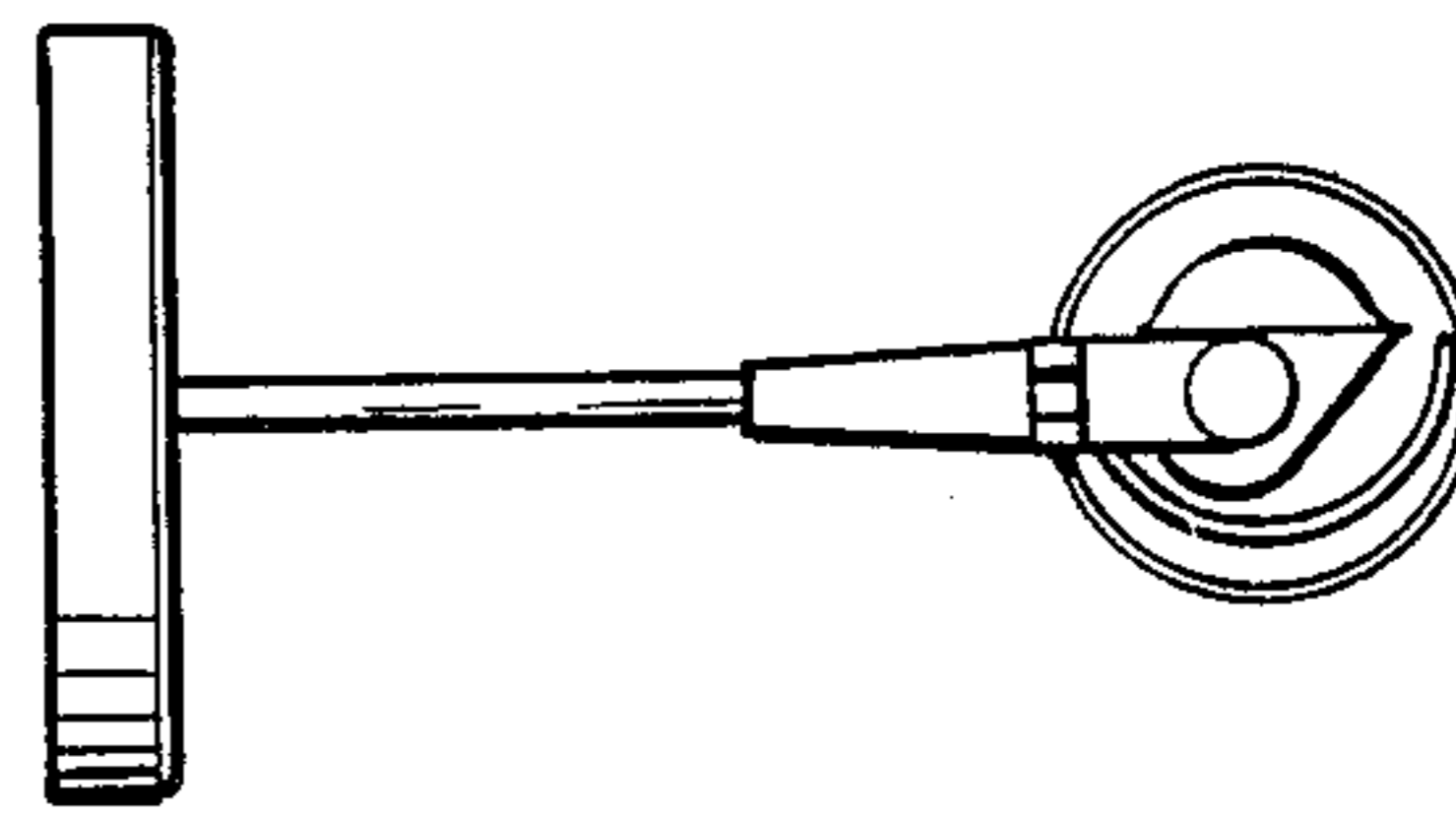


FIG. 5

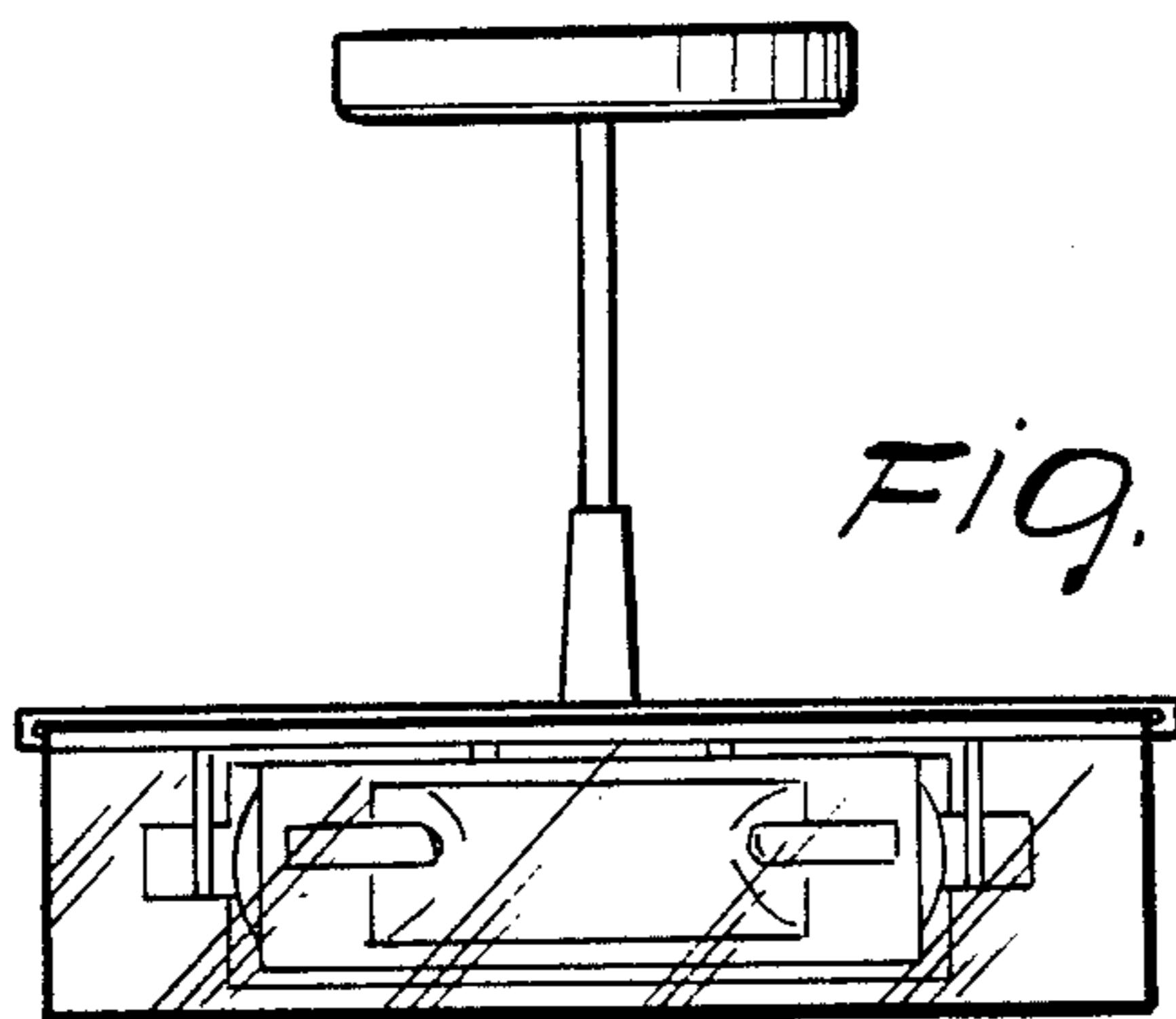


FIG. 6

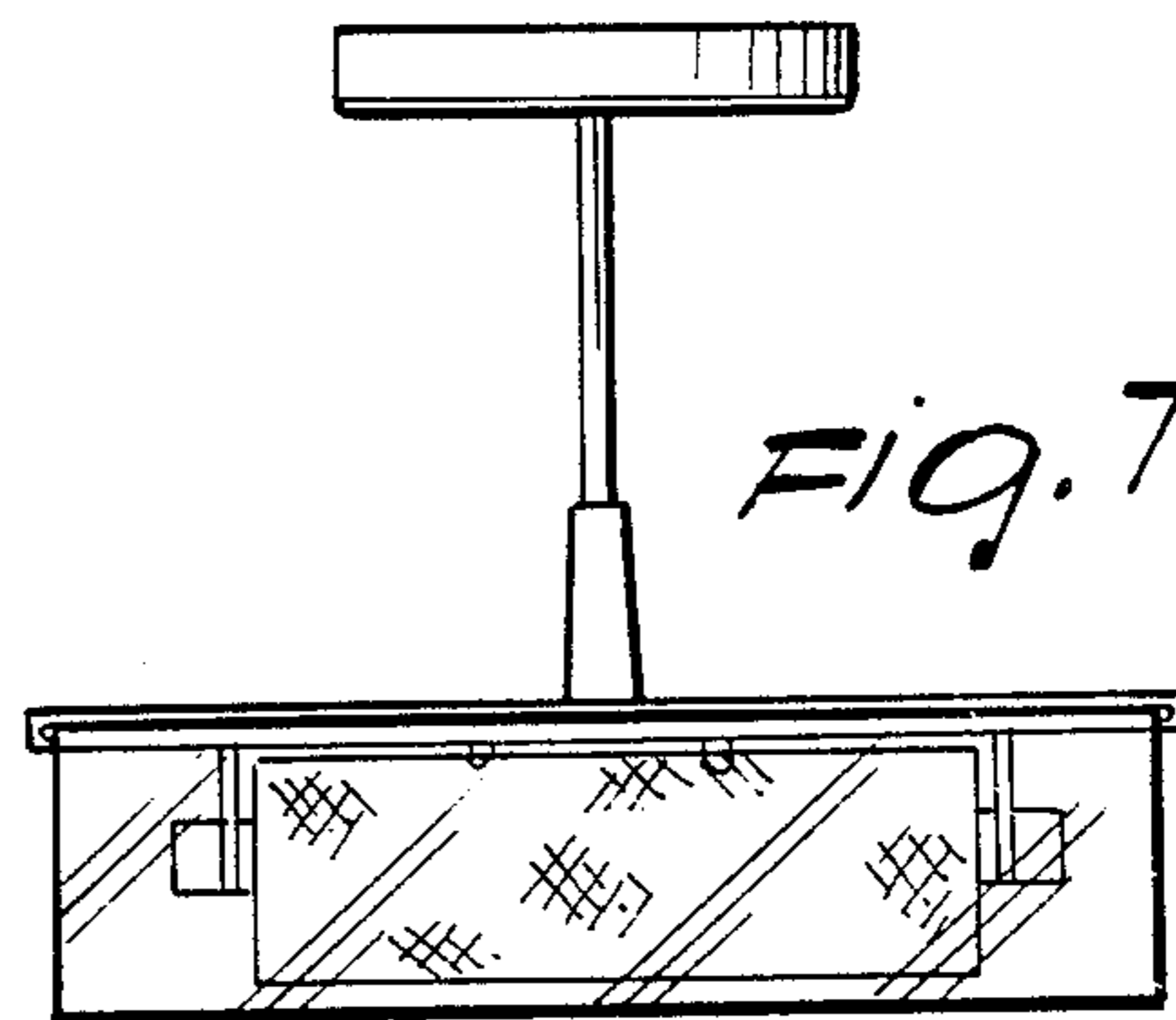


FIG. 7