

United States Patent [19]
Pettway

[11] **Patent Number: Des. 311,252**
[45] **Date of Patent: ** Oct. 9, 1990**

[54] **CONDOM**
[76] **Inventor: Minnie L. Pettway, 406 Second Ave.,
Stratford, Conn. 06497**
[**] **Term: 14 Years**
[21] **Appl. No.: 191,601**
[22] **Filed: May 6, 1988**
[52] **U.S. Cl. D24/99**
[58] **Field of Search D24/99, 59; 128/844,
128/842, 917**

4,856,534 8/1989 Sorkin et al. 128/844
4,872,464 10/1989 Loeb et al. 128/844

Primary Examiner—A. Hugo Word
Assistant Examiner—Stella M. Reid
Attorney, Agent, or Firm—Mattern, Ware, Stoltz and
Fressola

[57] **CLAIM**
The ornamental design for a condom, as shown.

DESCRIPTION

FIG. 1 is a perspective view of a condom, showing my
new design;
FIG. 2 is a right side elevational view thereof, the left
side elevational view being identical thereto;
FIG. 3 is a front elevational view thereof; and
FIG. 4 is a rear elevational view thereof.

[56] **References Cited**
U.S. PATENT DOCUMENTS
D. 253,009 9/1979 Okamoto D24/99
D. 260,818 9/1981 Okamoto D24/99
4,834,114 5/1989 Boarman 128/844 X

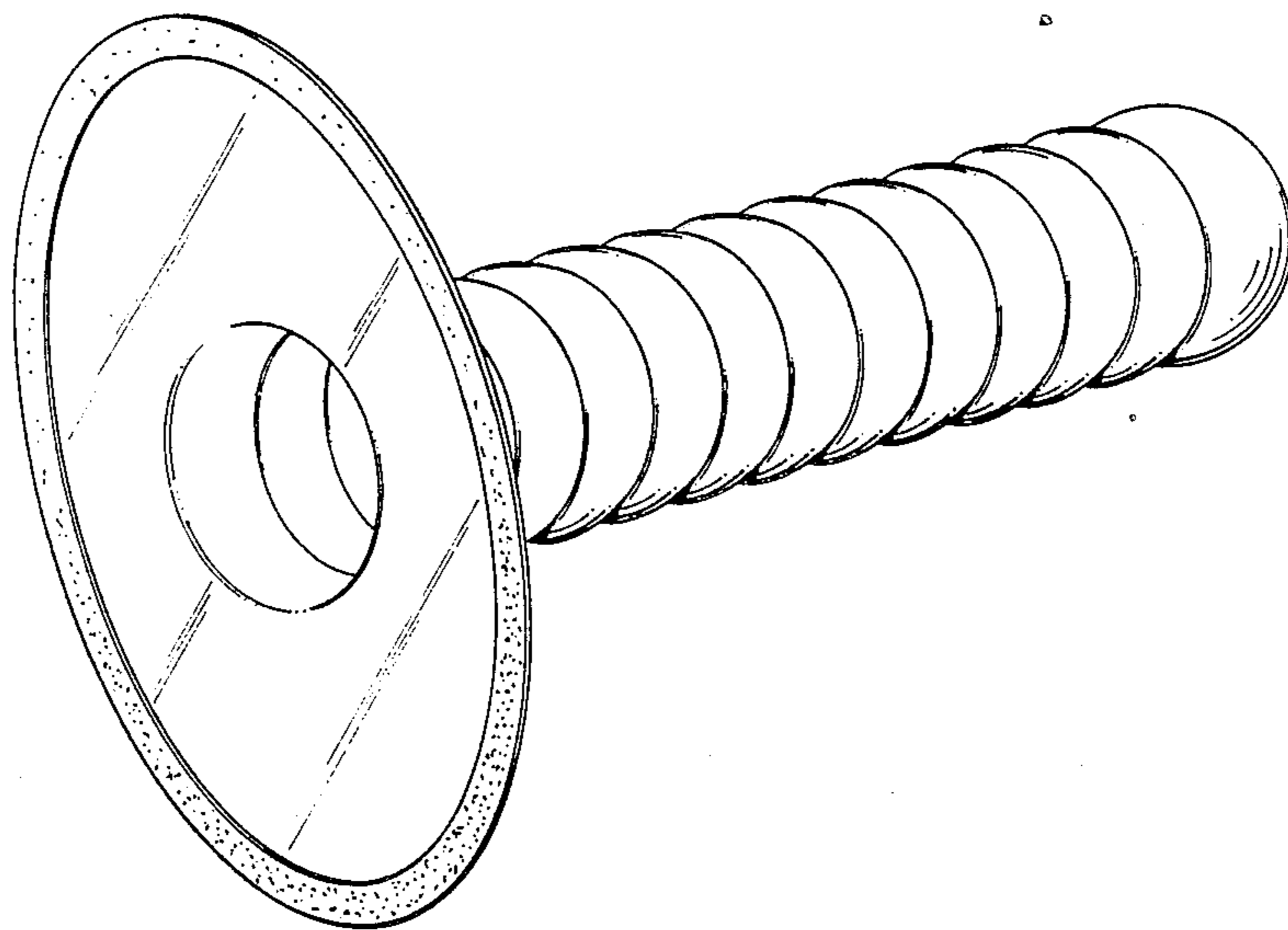


FIG. 1

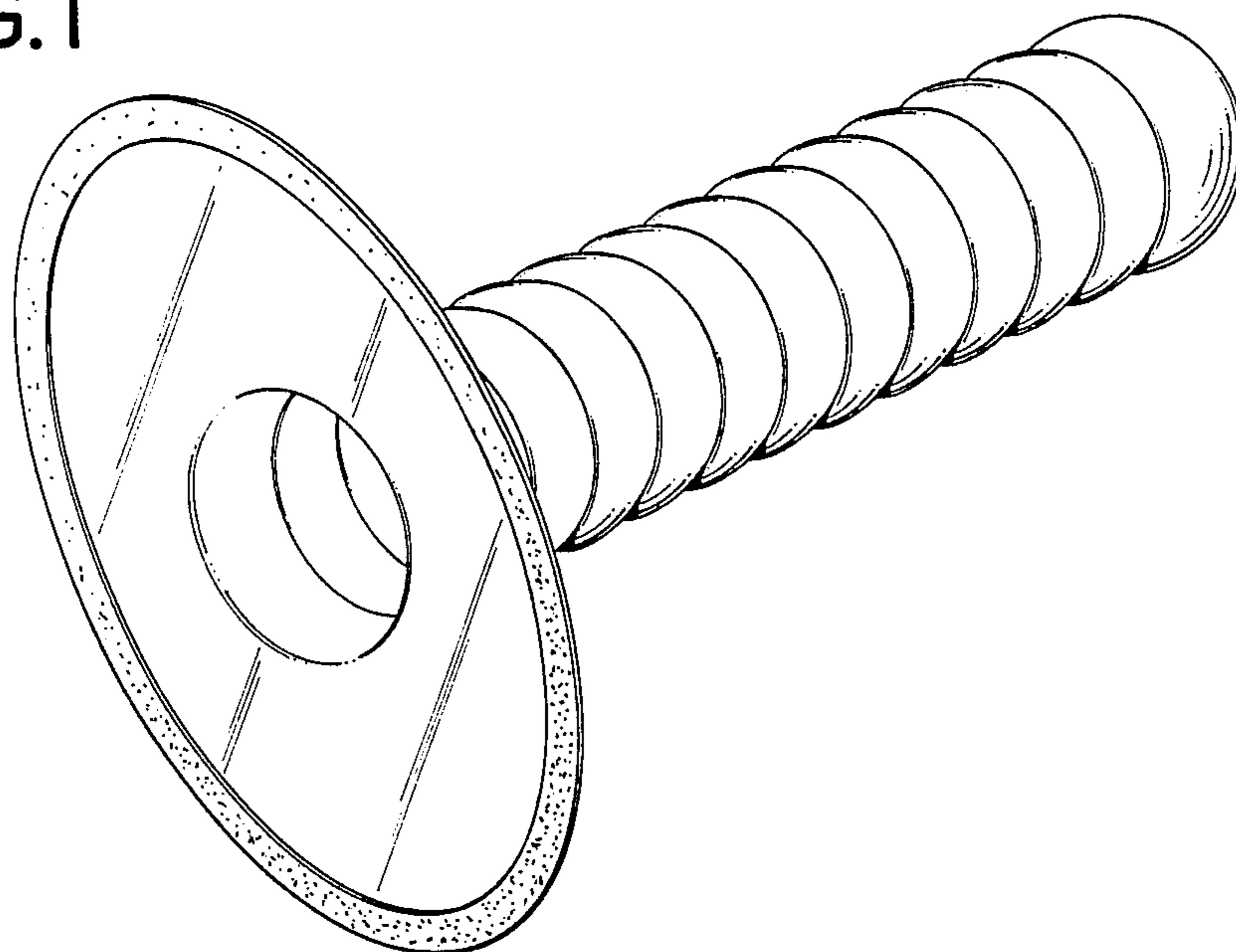


FIG. 2

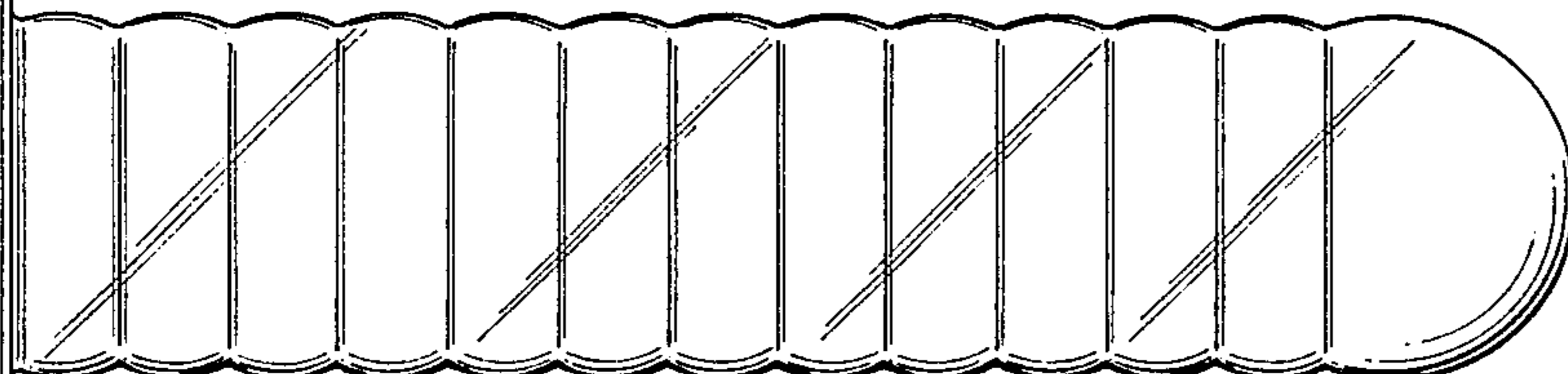


FIG. 3

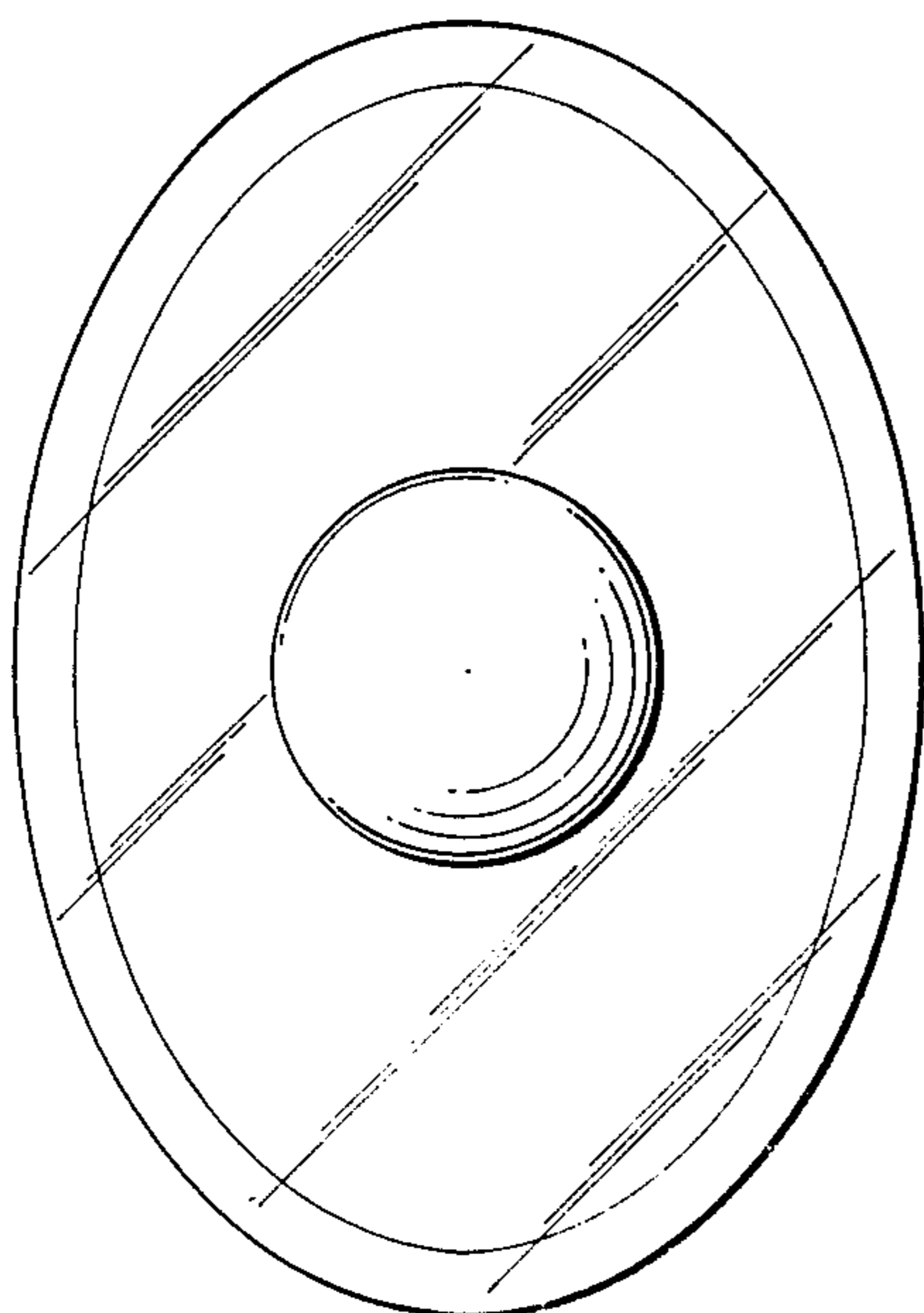


FIG. 4

