

[54] CEILING FAN UNIT

2,318,715 5/1943 Rolph 362/405

[75] Inventor: Robert Sonneman, New York, N.Y.

Primary Examiner—James M. Gandy
Assistant Examiner—Lisa Lichtenstein
Attorney, Agent, or Firm—Brown, Martin, Haller & McClain

[73] Assignee: Sonneman Design Group, Inc., Long Island City, N.Y.

[**] Term: 14 Years

[57] CLAIM

[21] Appl. No.: 145,776

The ornamental design for a ceiling fan unit, as shown and described.

[22] Filed: Jan. 19, 1988

DESCRIPTION

[52] U.S. Cl. D23/377

[58] Field of Search D23/370, 377, 379, 385; D26/51, 59; 416/206, 205, 5; 362/96, 404, 405

FIG. 1 is a side elevational view of a ceiling fan unit, showing my new design, the opposite side being a mirror image of that shown;

FIG. 2 is a bottom plan view thereof;

FIG. 3 is a side elevational view of a ceiling fan unit, showing a second embodiment of my new design with the lighting fixture omitted, the opposite side being a mirror image of that shown;

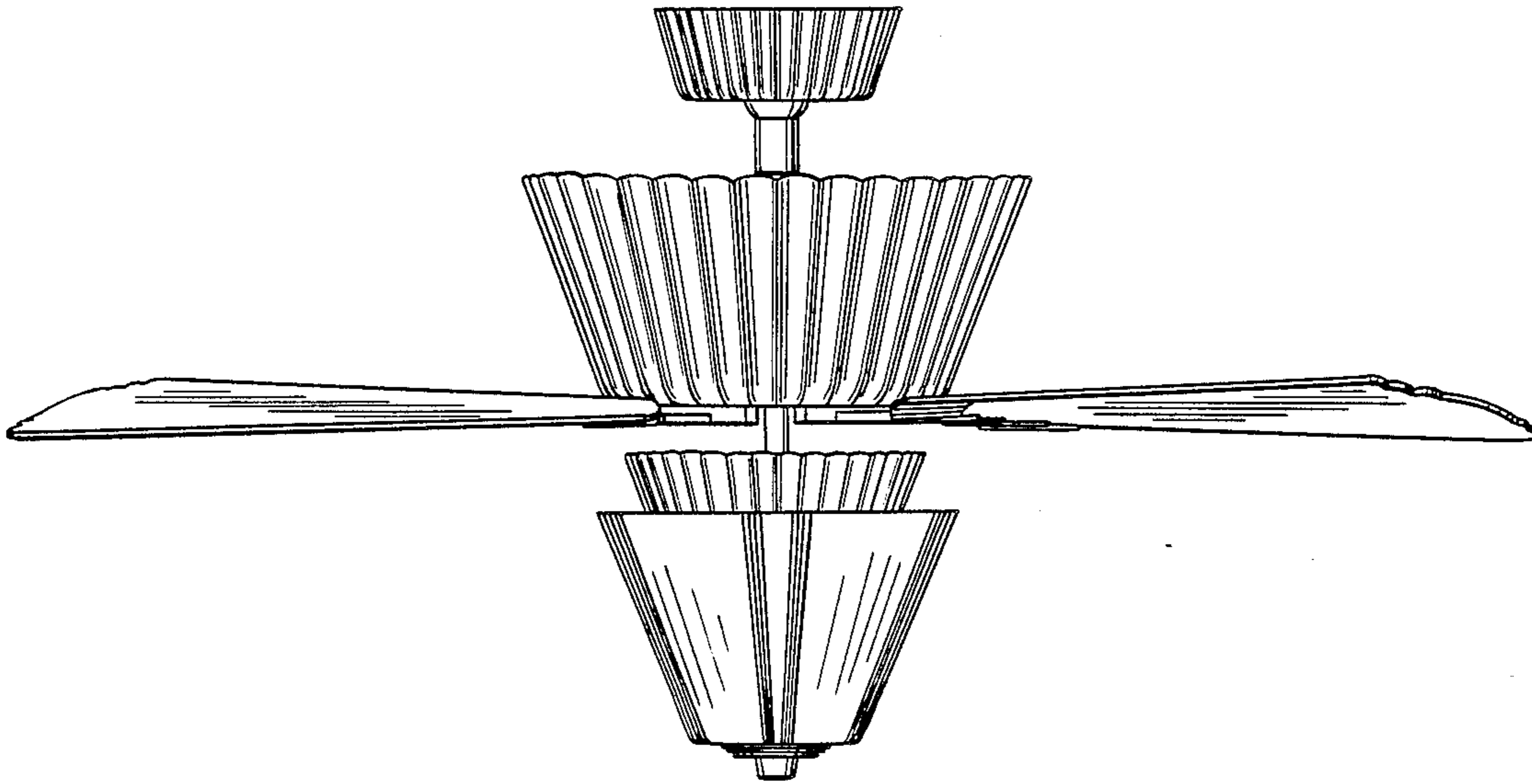
FIG. 4 is a bottom plan view of FIG. 3; and

FIG. 5 is a top plan view of FIGS. 1 and 3.

[56] References Cited

U.S. PATENT DOCUMENTS

- D. 265,502 7/1982 Kearnes 416/5
- D. 284,304 6/1986 Harber D23/377
- D. 290,748 7/1987 Kawai D26/59
- D. 297,456 8/1988 Pearce D23/385



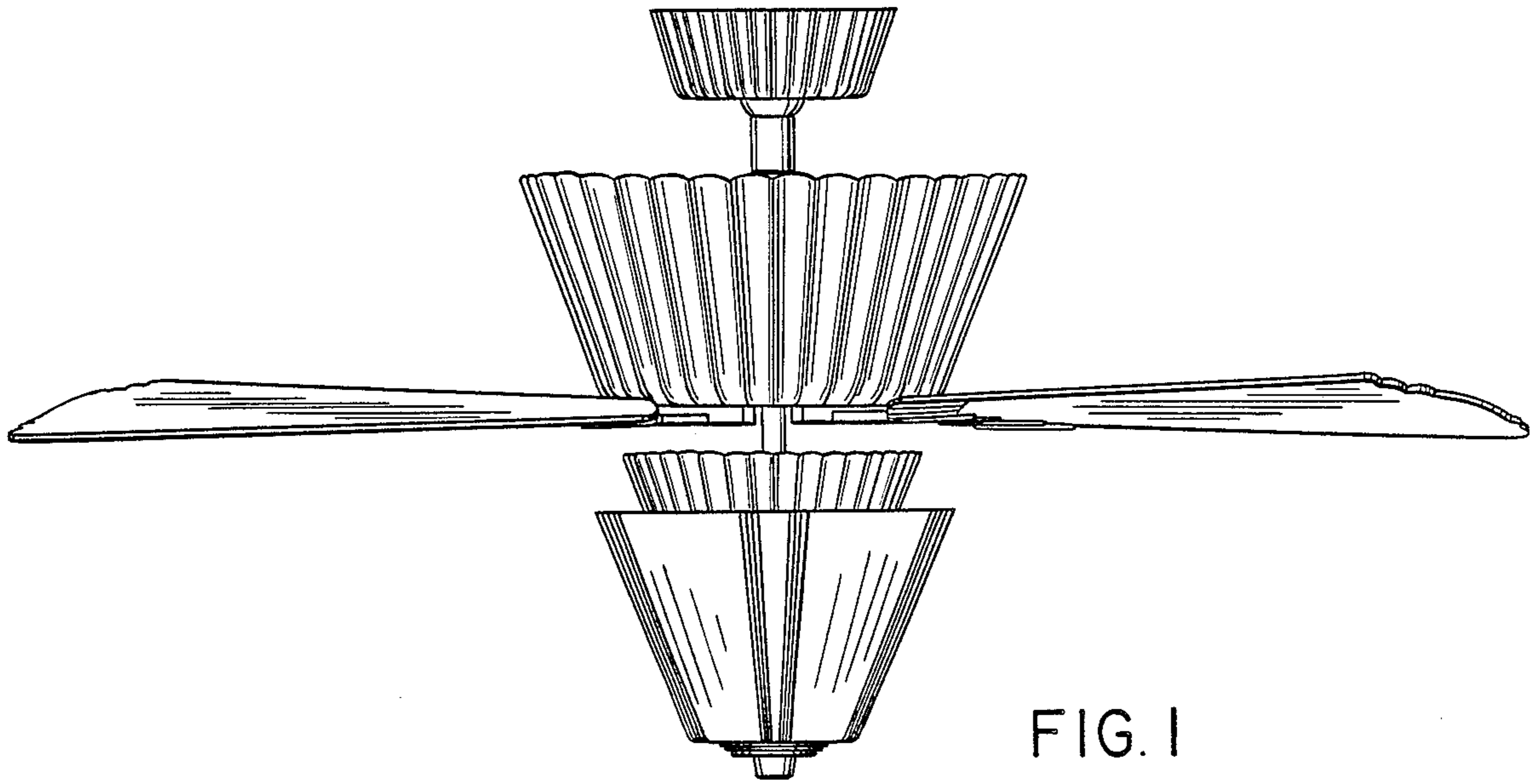


FIG. 1

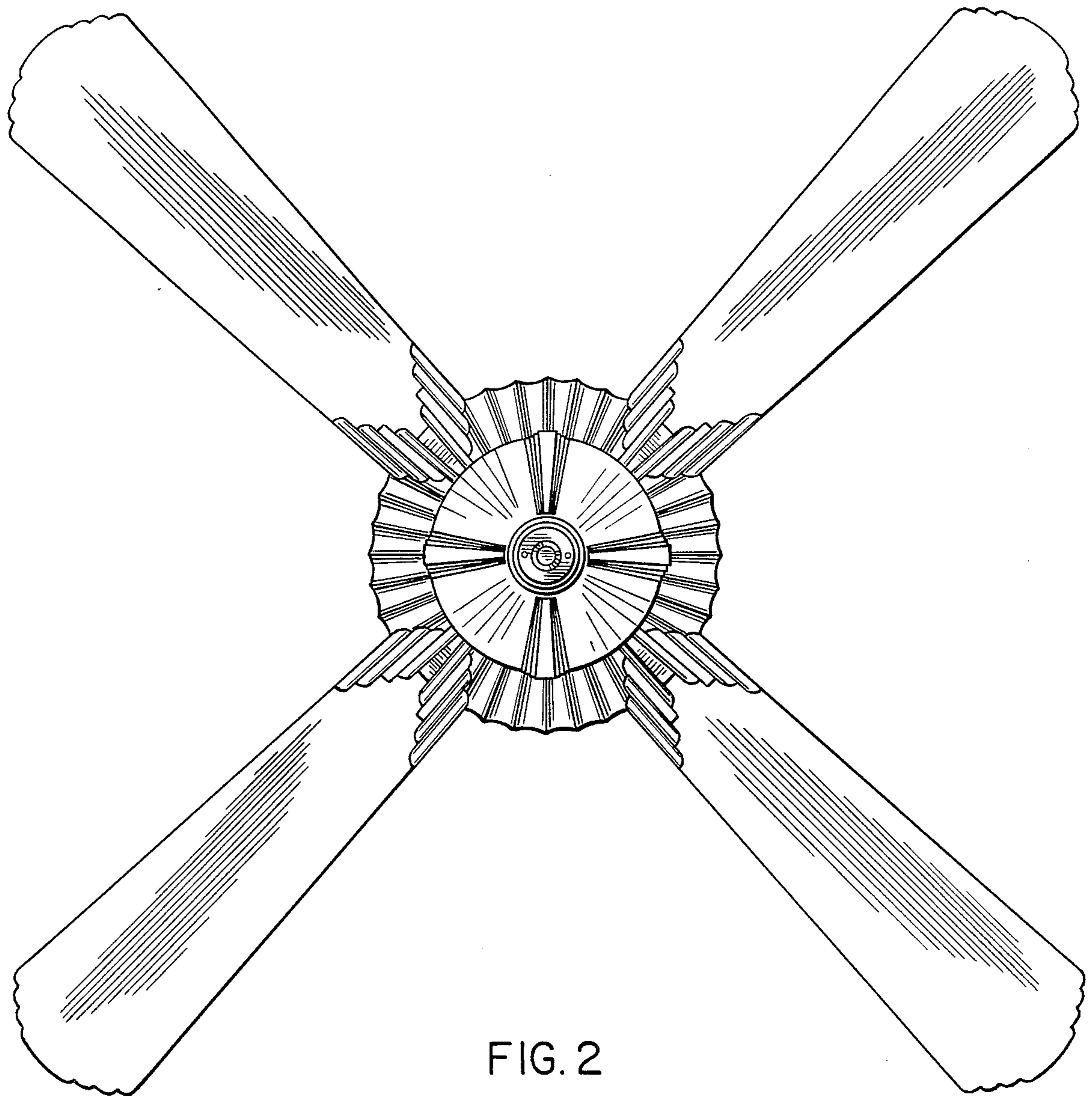


FIG. 2

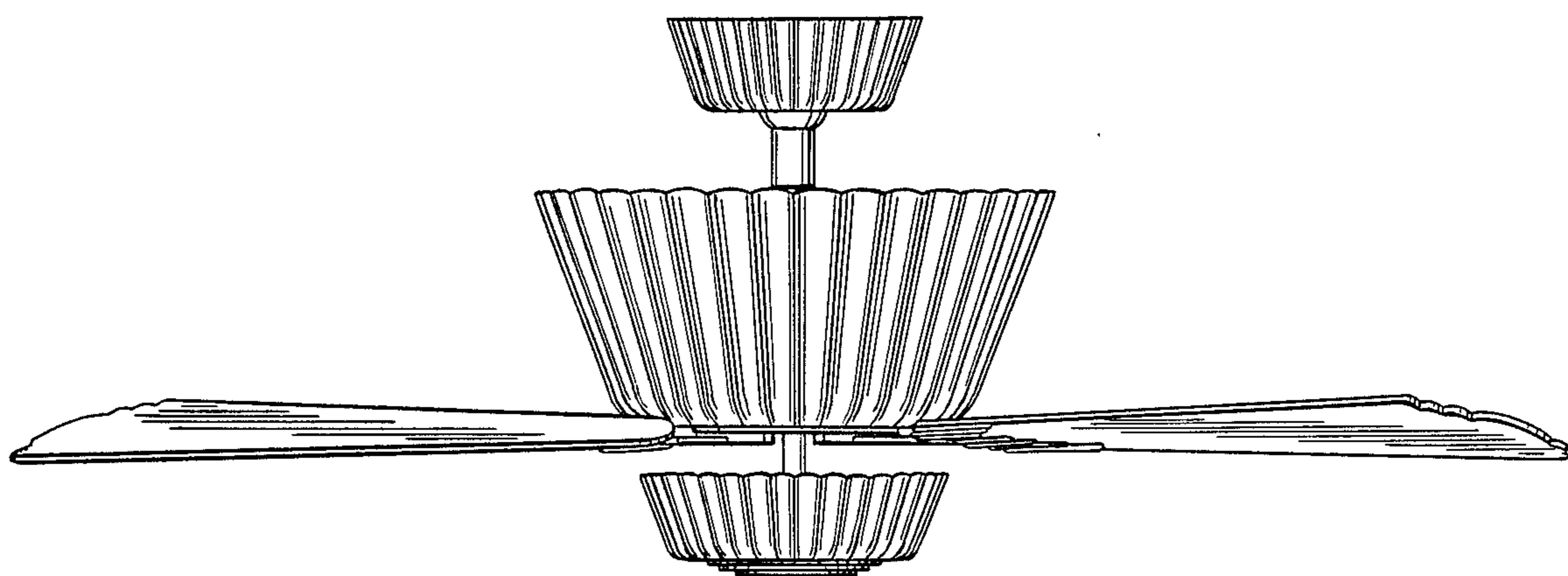


FIG. 3

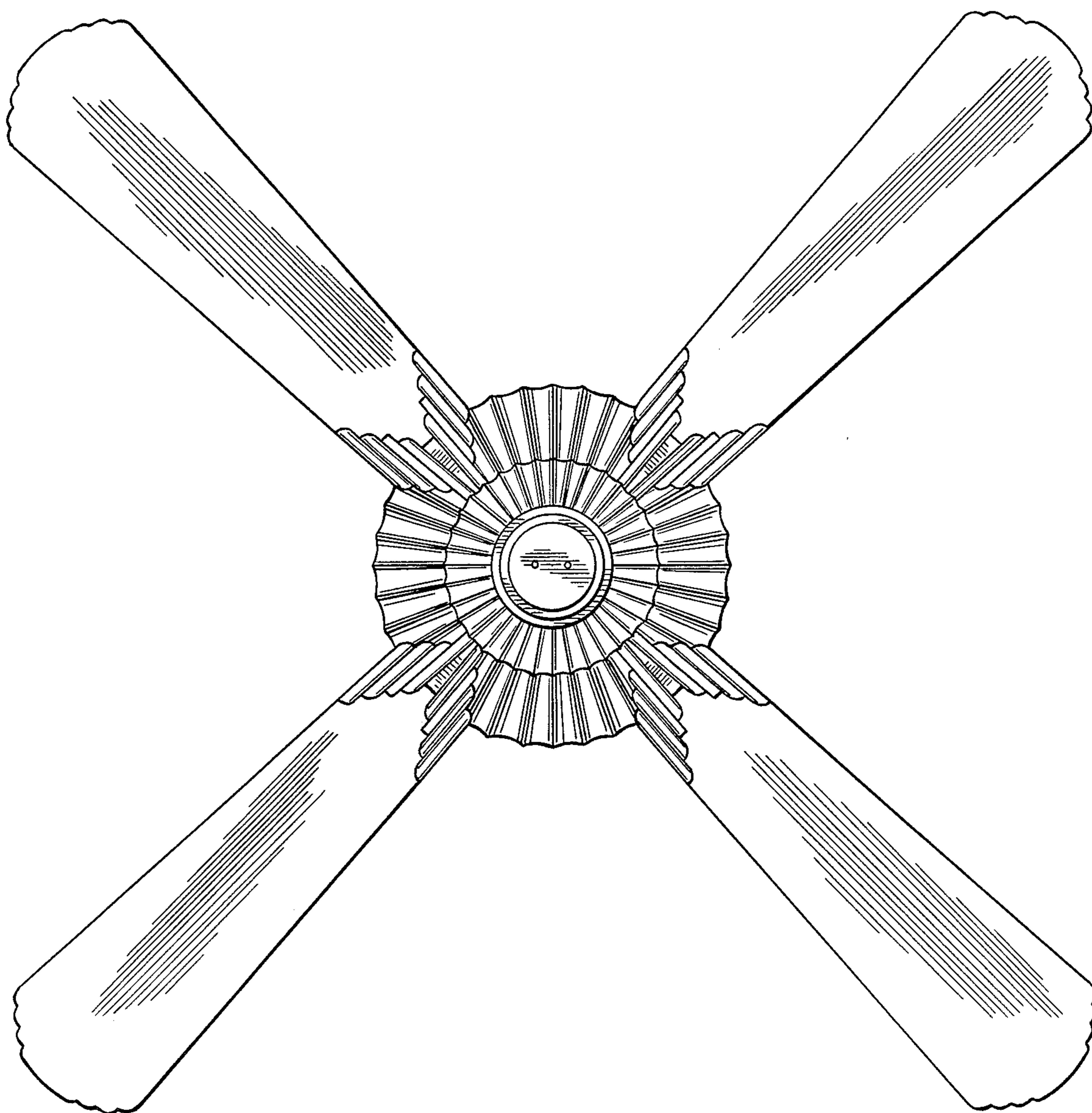


FIG. 4

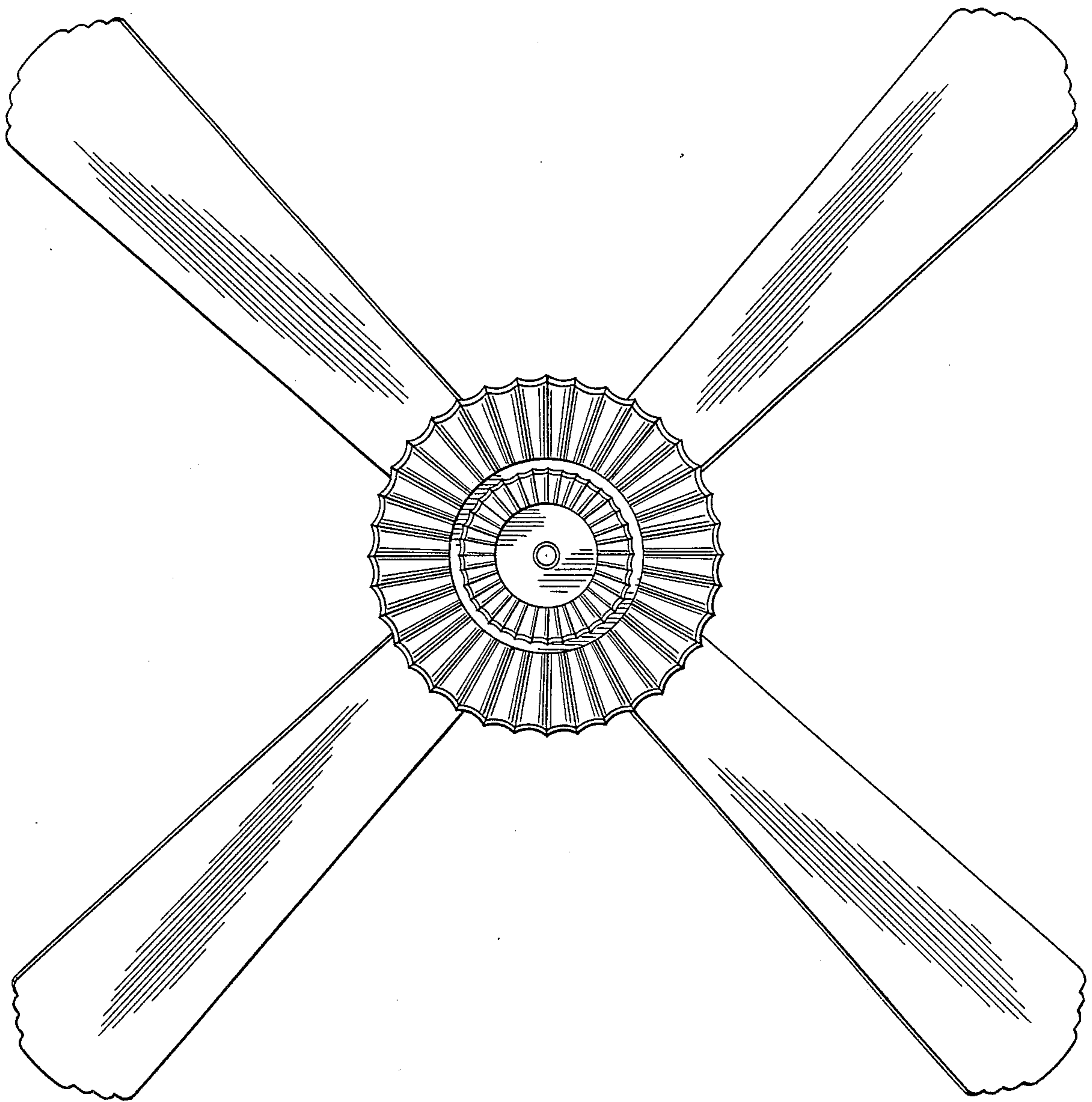


FIG. 5