

# United States Patent [19]

Vaupel et al.

[11] Patent Number: **Des. 311,243**

[45] Date of Patent: **\*\* Oct. 9, 1990**

[54] **WATER CLOSET**

[75] Inventors: **Michael C. Vaupel, South Laguna;  
Kenneth P. Mendoza, Whittier, both  
of Calif.**

[73] Assignee: **Masco Building Products Corp.,  
Taylor, Mich.**

[\*\*] Term: **14 Years**

[21] Appl. No.: **394,790**

[22] Filed: **Aug. 16, 1989**

[52] U.S. Cl. .... **D23/301**

[58] Field of Search ..... **D23/295-301,  
D23/309, 313; 4/306, 329-332, 353, 420-448,  
DIG. 15**

[56] **References Cited**

**U.S. PATENT DOCUMENTS**

D. 199,235	9/1964	Tiller	.....	D23/301
D. 224,108	7/1972	Doman	.....	D23/301
D. 250,202	11/1978	Doman et al.	.....	D23/301
D. 261,799	11/1981	Alger	.....	D23/301
D. 264,620	5/1982	Kaiser	.....	D23/301

D. 268,780	4/1983	Doman et al.	.....	D23/301
D. 275,417	9/1984	Stairs, Jr.	.....	D23/301
D. 275,598	9/1984	Stairs, Jr.	.....	D23/301
D. 278,078	3/1985	Kaiser	.....	D23/295
D. 284,303	6/1986	Yuetot	.....	D23/301
D. 286,067	10/1986	Alger	.....	D23/301

**OTHER PUBLICATIONS**

Domestic Engineering, Mar. 1984, p. 62, item "A".

*Primary Examiner*—James R. Largen

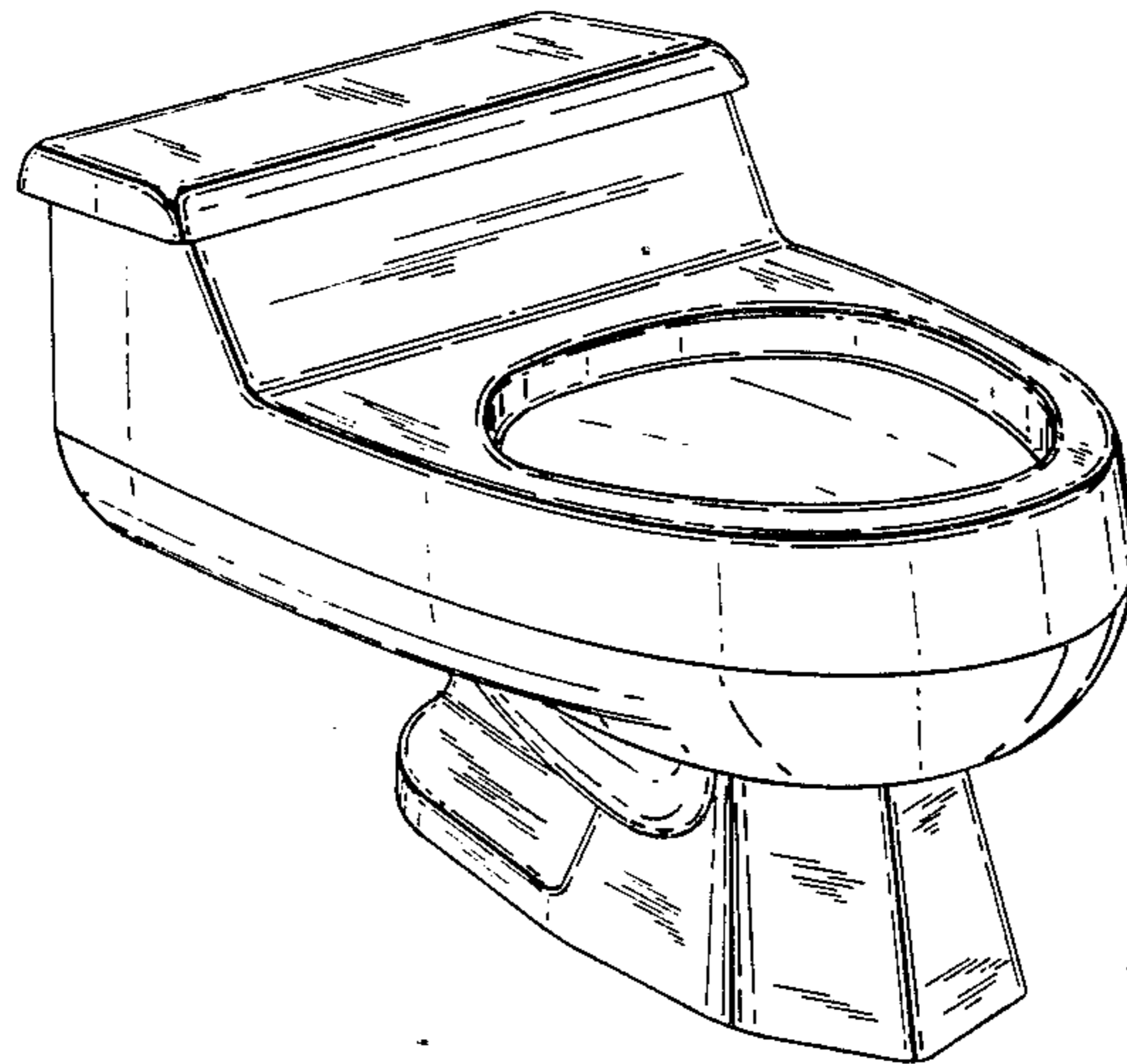
*Attorney, Agent, or Firm*—Leon E. Redman; Malcolm L. Sutherland

[57] **CLAIM**

The ornamental design for a water closet, as shown and described.

**DESCRIPTION**

FIG. 1 is a perspective view taken from the top, front and left side of a water closet showing our new design; FIG. 2 is a top plan view thereof; FIG. 3 is a left side elevational view thereof; FIG. 4 is a front elevational view thereof; FIG. 5 is a right side elevational view thereof; and FIG. 6 is a rear elevational view thereof.



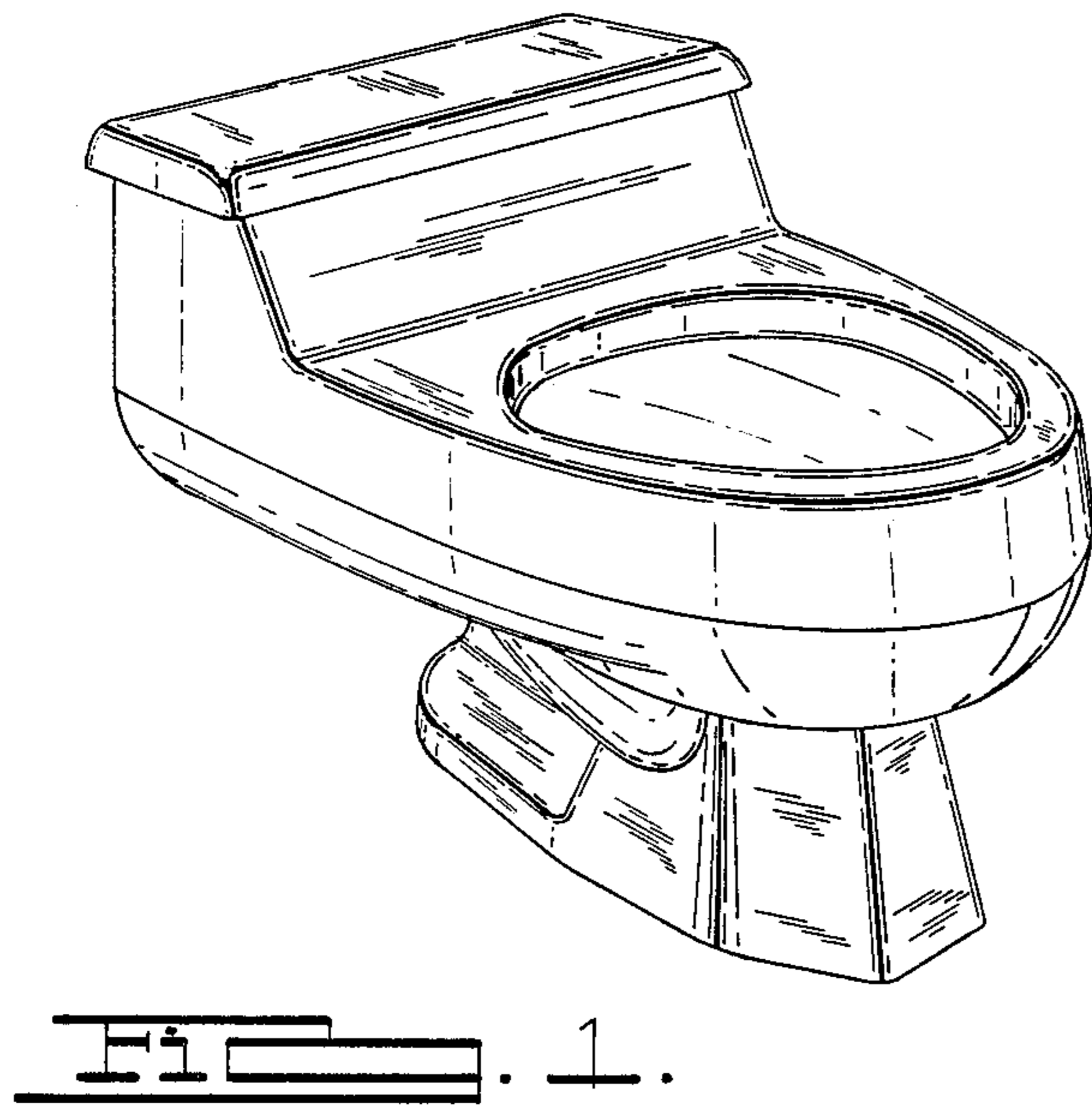


FIG. 1.

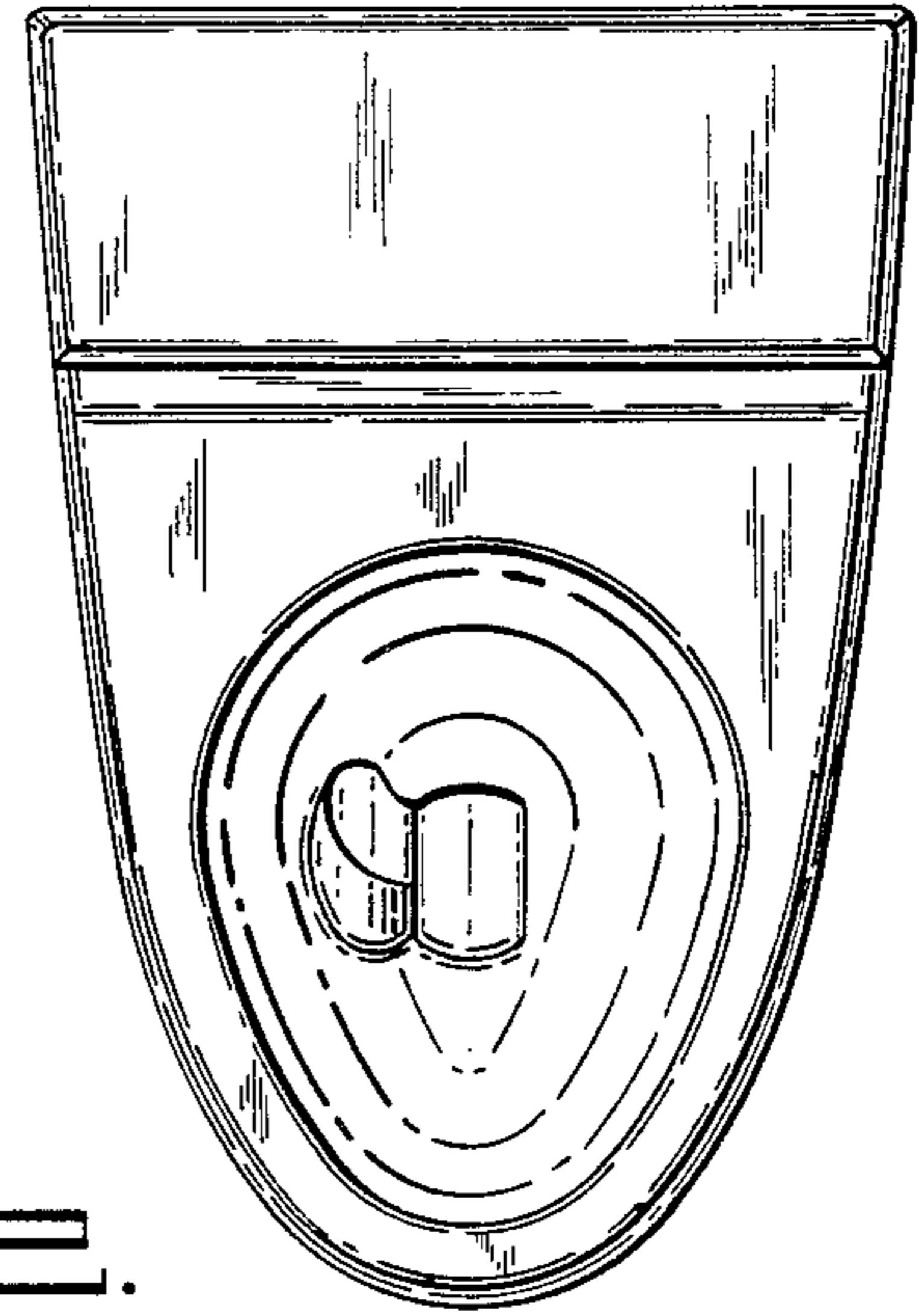


FIG. 2.

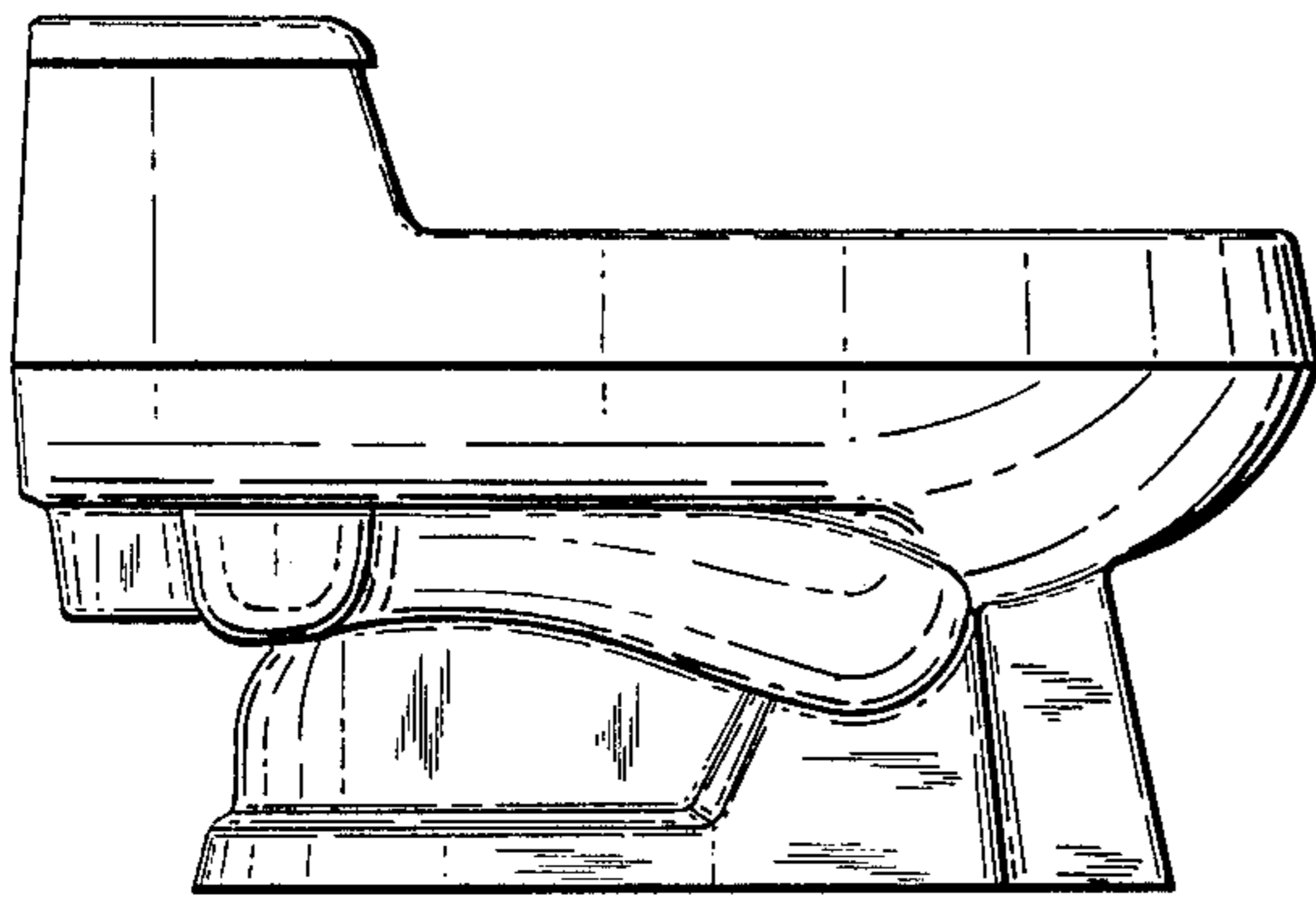


FIG. 3.

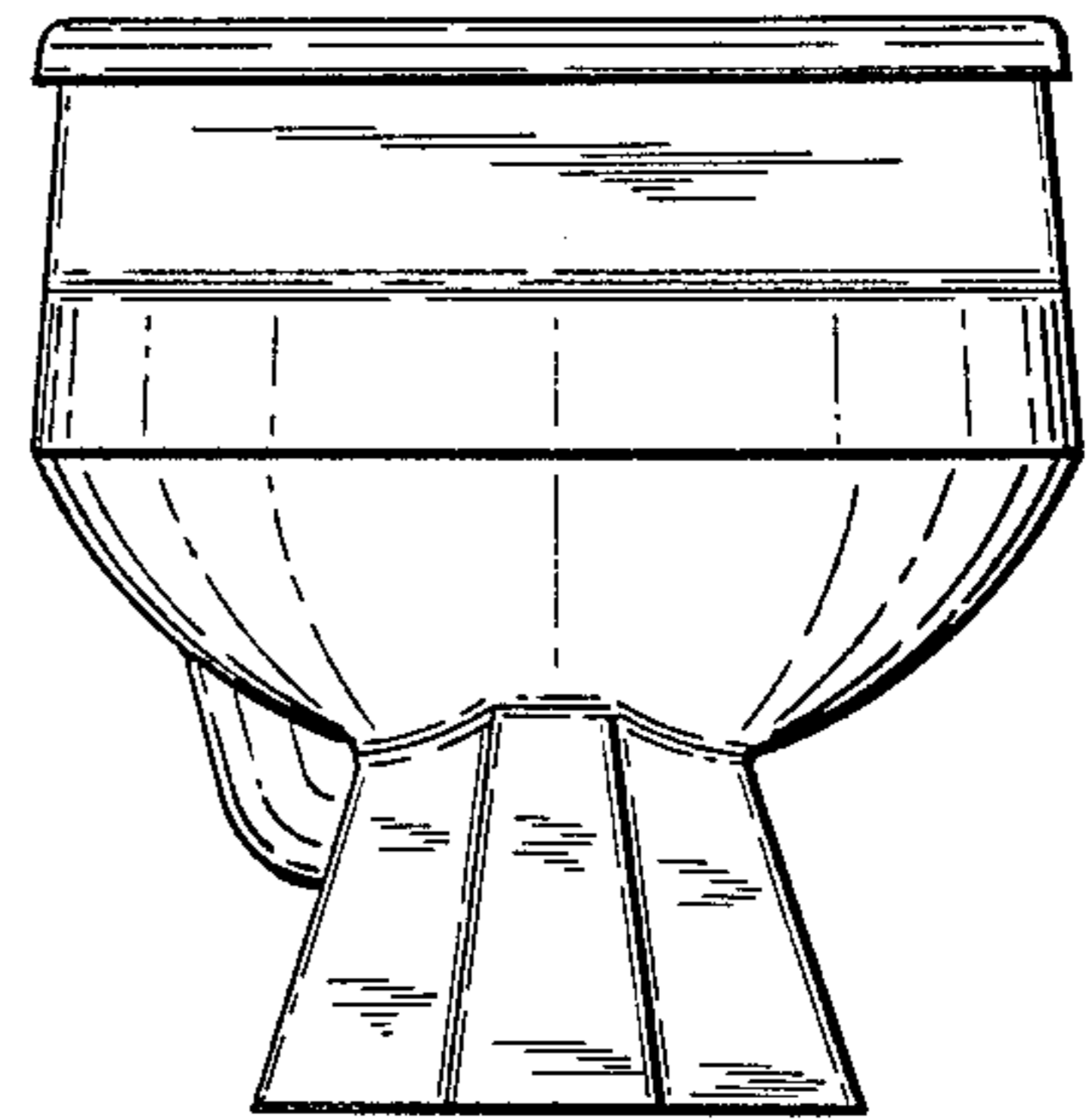


FIG. 4.

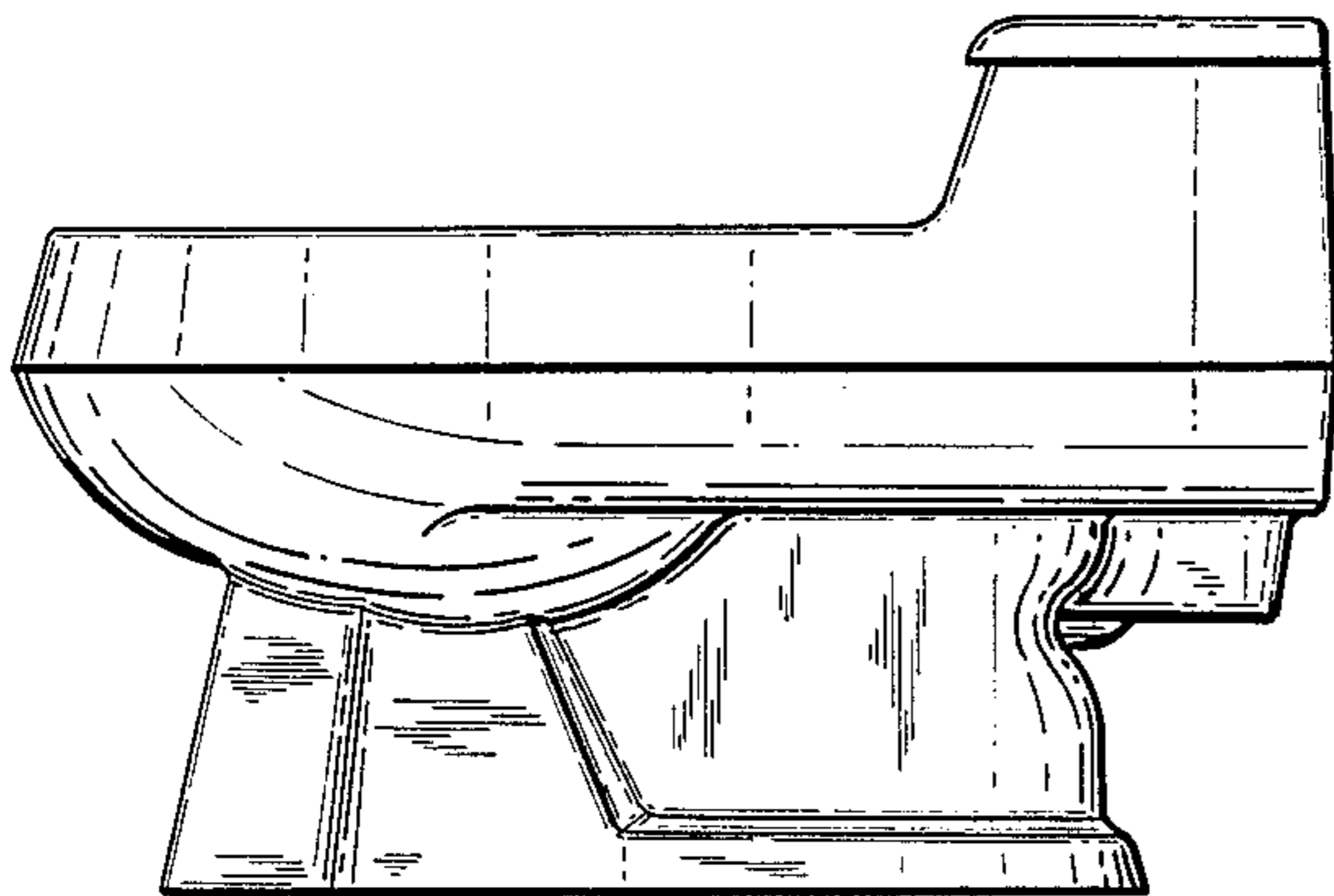


FIG. 5.

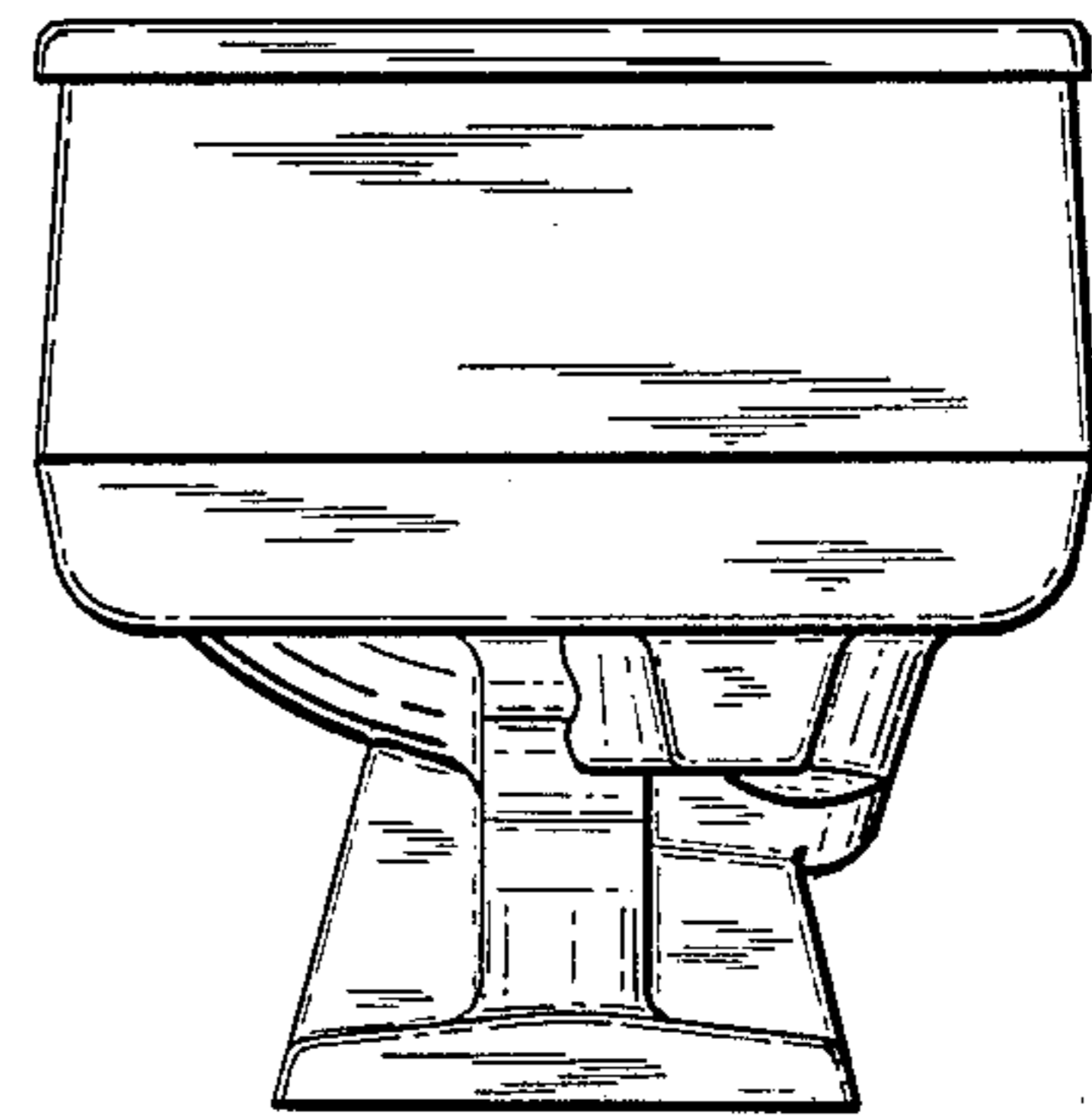


FIG. 6.