

[54] **TOILET**

[75] **Inventor: Mary J. Reid, Sheboygan, Wis.**

[73] **Assignee: Kohler Co., Kohler, Wis.**

[**] **Term: 14 Years**

[21] **Appl. No.: 142,779**

[22] **Filed: Jan. 11, 1988**

[52] **U.S. Cl. D23/301**

[58] **Field of Search D23/295-301,
D23/309, 313; 4/306, 329-332, 353, 420-448,
DIG. 15**

[56] **References Cited**

U.S. PATENT DOCUMENTS

D. 188,750	9/1960	Swann	D23/301
D. 250,202	11/1978	Doman .	
D. 261,799	11/1981	Alger	D23/301
D. 264,620	5/1982	Kaiser	D23/301
D. 268,780	4/1983	Doman .	
D. 271,326	11/1983	Doman .	
D. 275,417	9/1984	Stairs, Jr.	D23/301
D. 278,078	3/1985	Kaiser	D23/295
D. 284,303	6/1986	Yvetot	D23/301

OTHER PUBLICATIONS

A 1986 Kohler Co. ad for the "Couture" toilet.

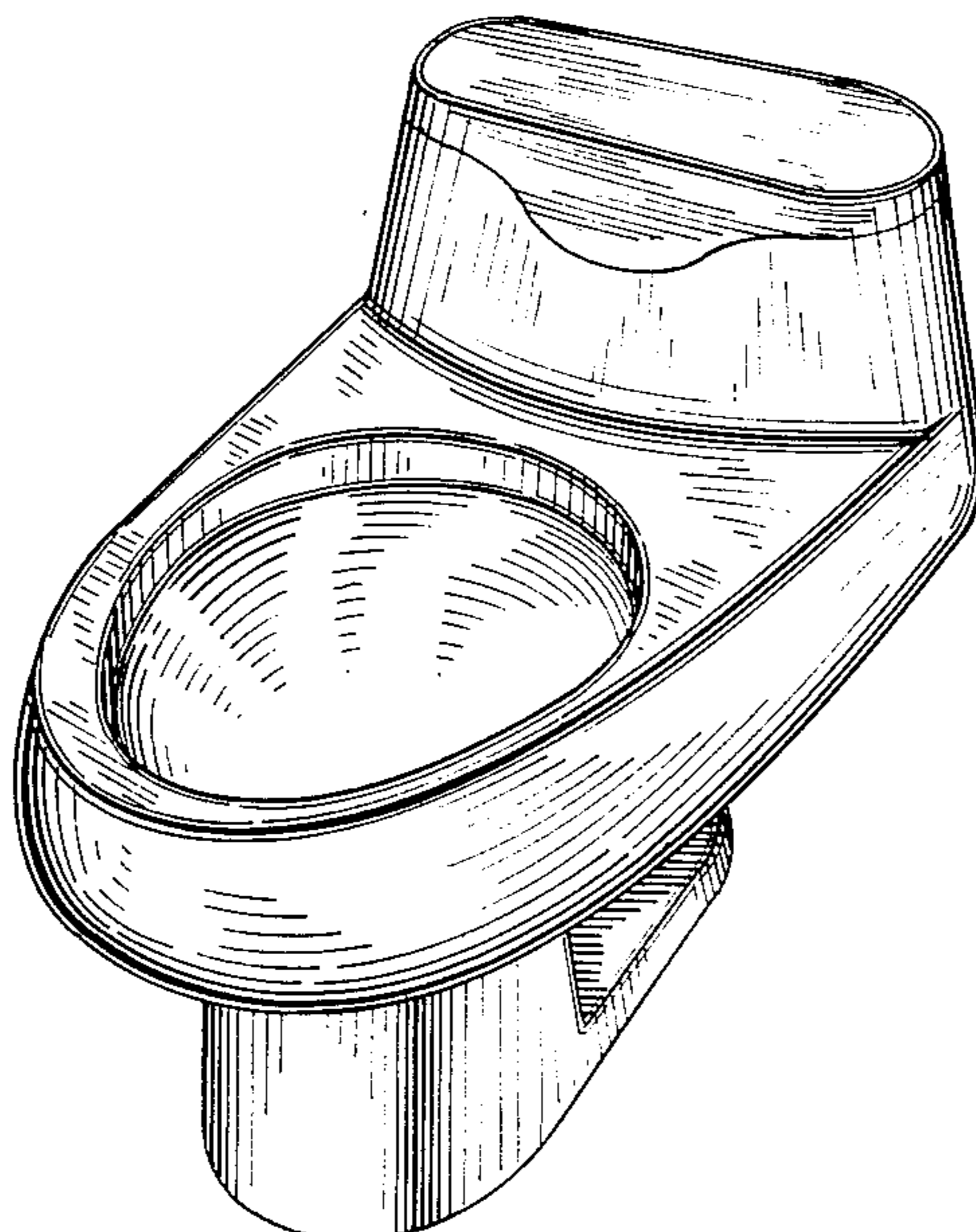
Primary Examiner—James R. Largen
Attorney, Agent, or Firm—Quarles & Brady

[57] **CLAIM**

The ornamental design for a toilet, as shown and described.

DESCRIPTION

FIG. 1 is a perspective view taken from the top, front and right side of a toilet showing my new design;
FIG. 2 is a top plan view thereof;
FIG. 3 is a left side elevational view thereof;
FIG. 4 is a side elevational view thereof;
FIG. 5 is a front elevational view thereof;
FIG. 6 is a rear elevational view thereof;
FIG. 7 is a perspective view taken from the top, front and right side of a second embodiment thereof;
FIG. 8 is a perspective view taken from the top, front and right side of a third embodiment thereof;
FIG. 9 is a top plan view of FIG. 8;
FIG. 10 is a left side elevational view of FIG. 8;
FIG. 11 is a right side elevational view of FIG. 8;
FIG. 12 is a front elevational view of FIG. 8;
FIG. 13 is a rear elevational view of FIG. 8 and
FIG. 14 is a perspective view taken from the top, front and right side of a fourth embodiment thereof.



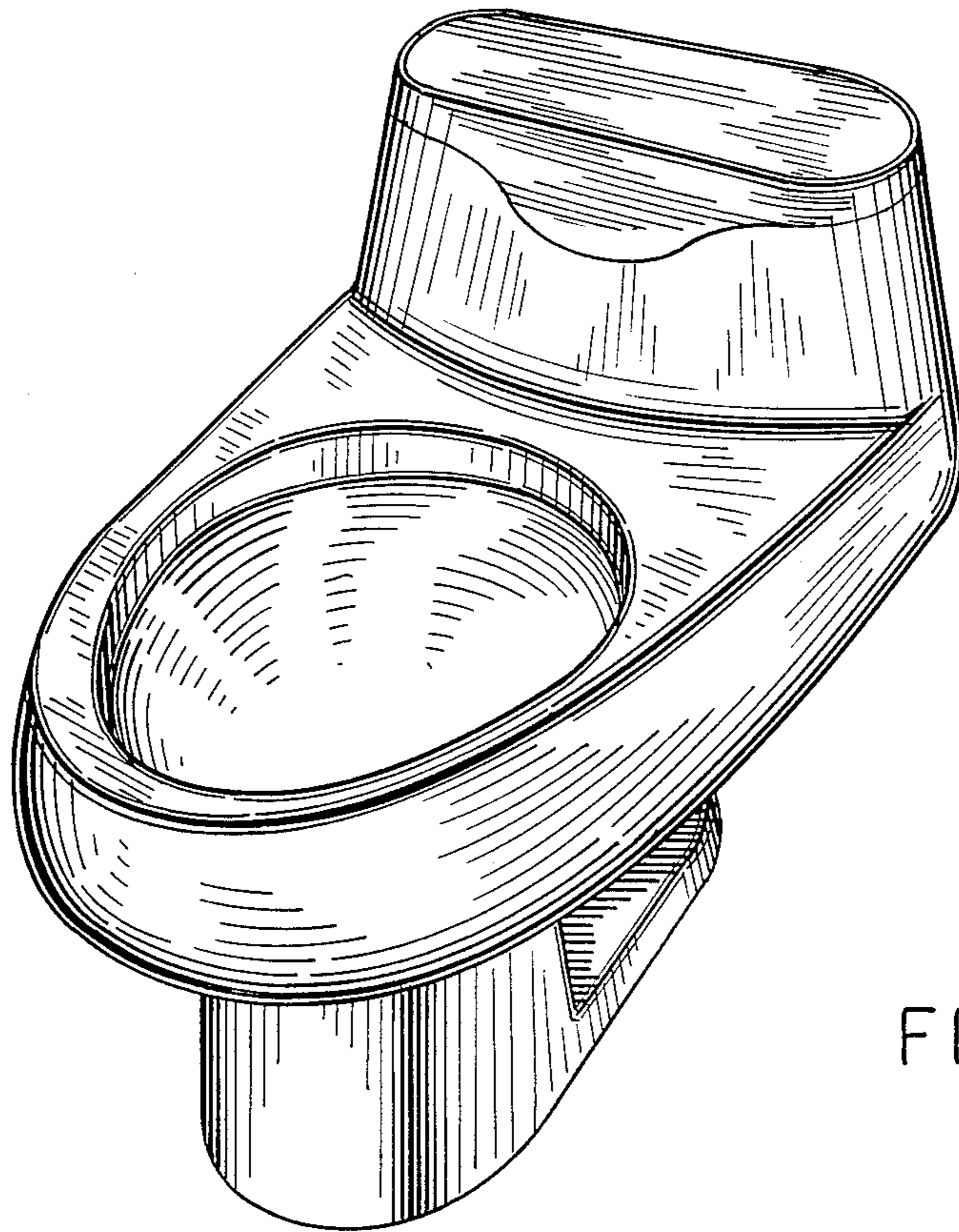


FIG. 1

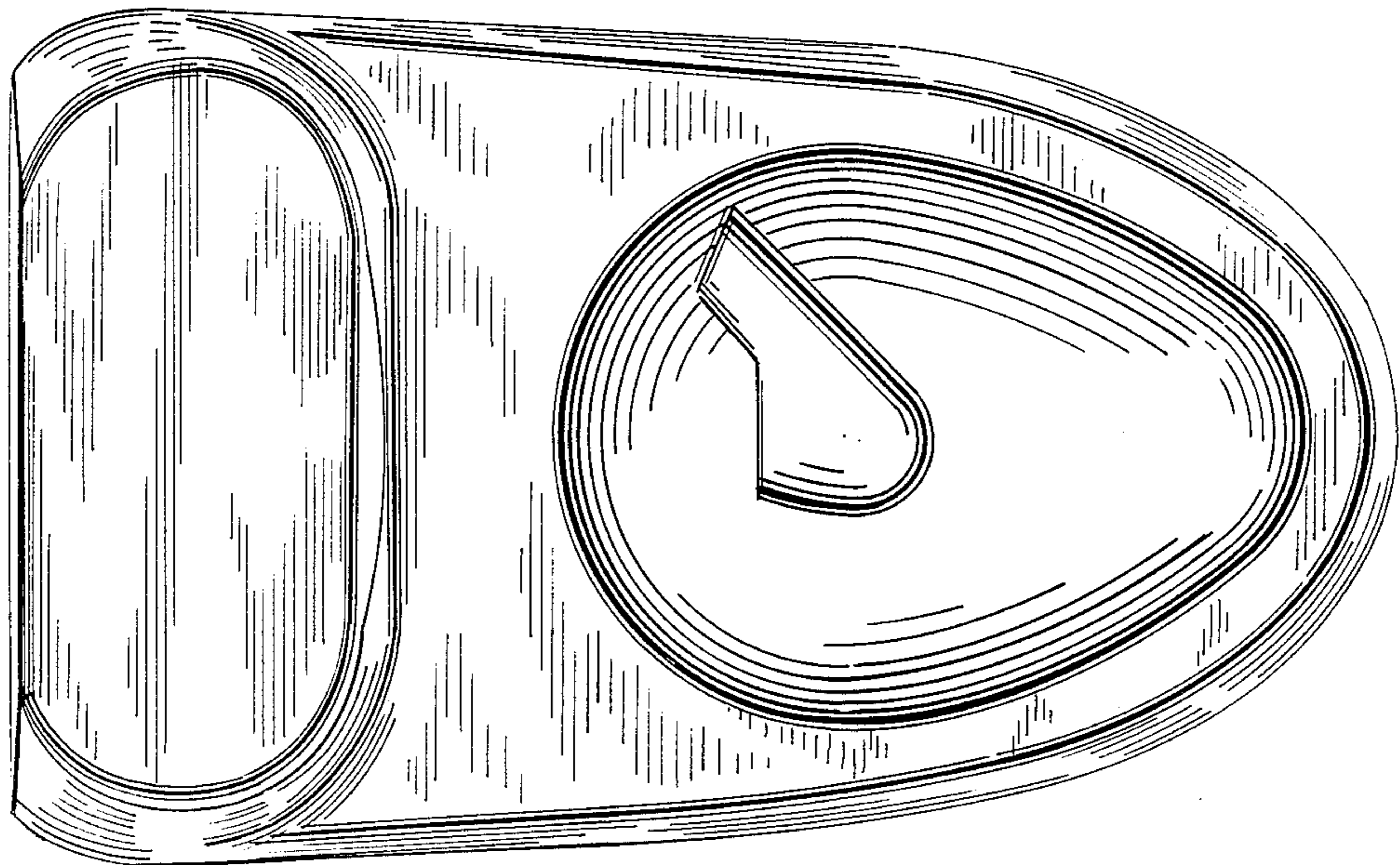
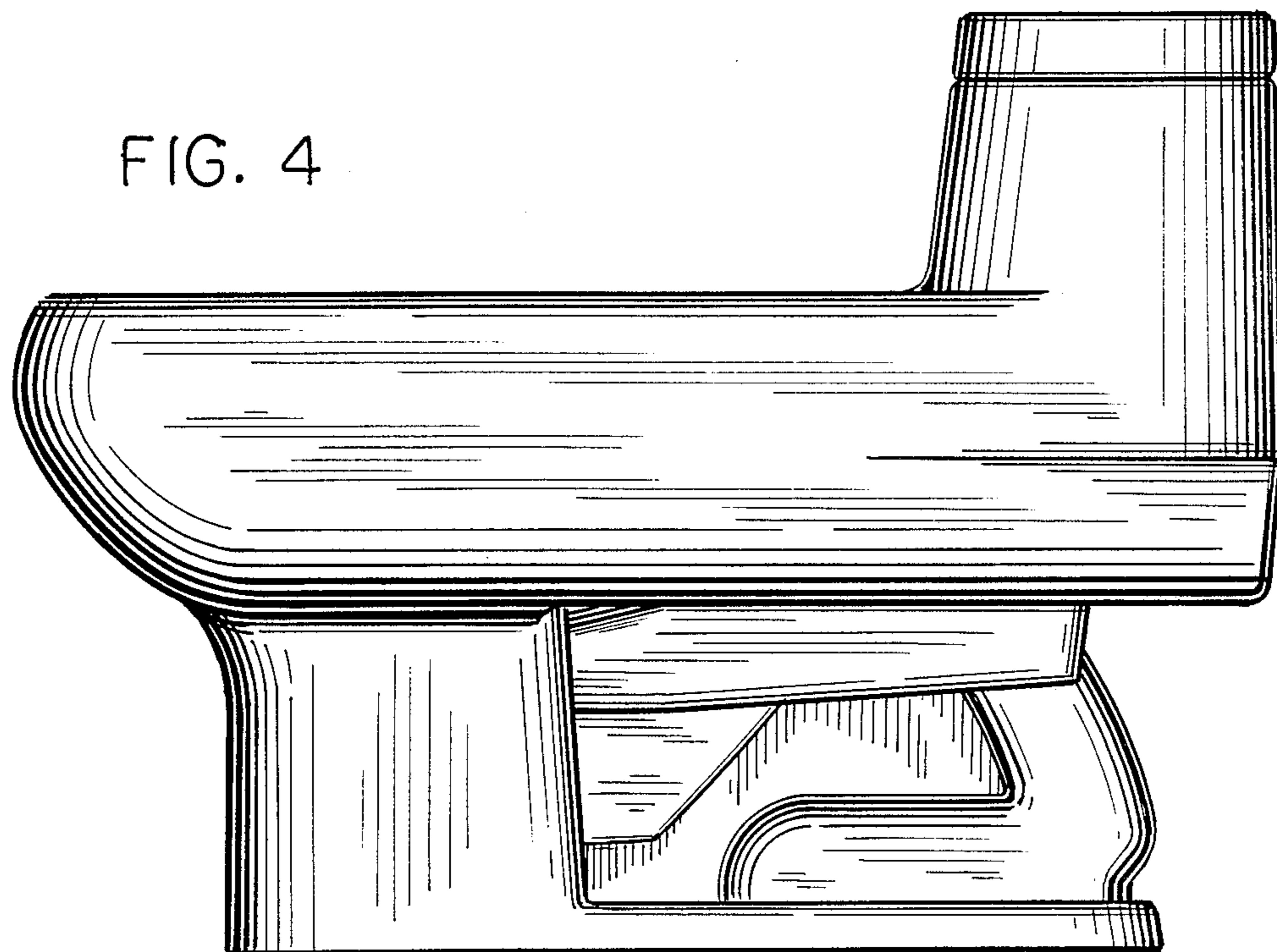
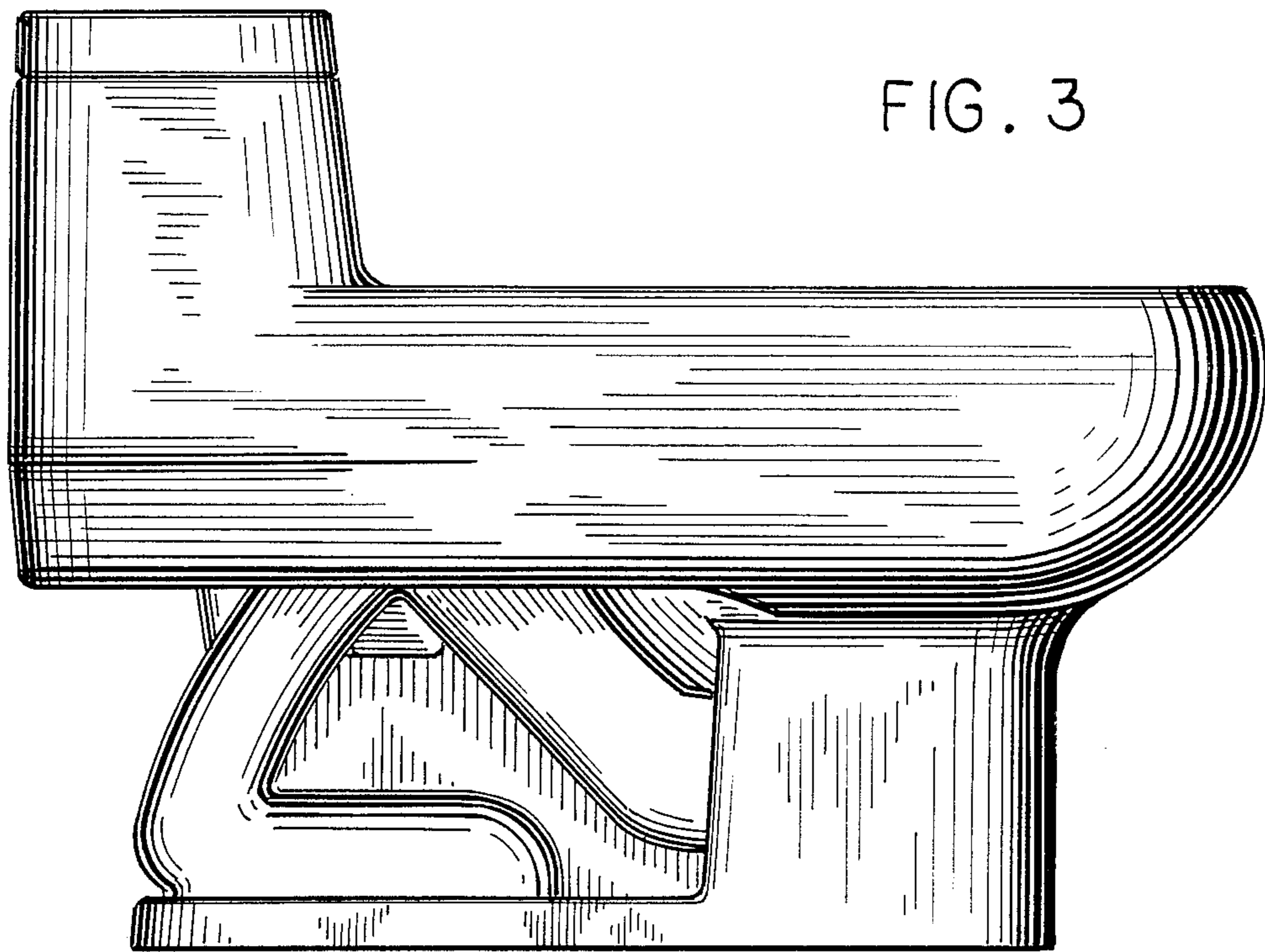


FIG. 2



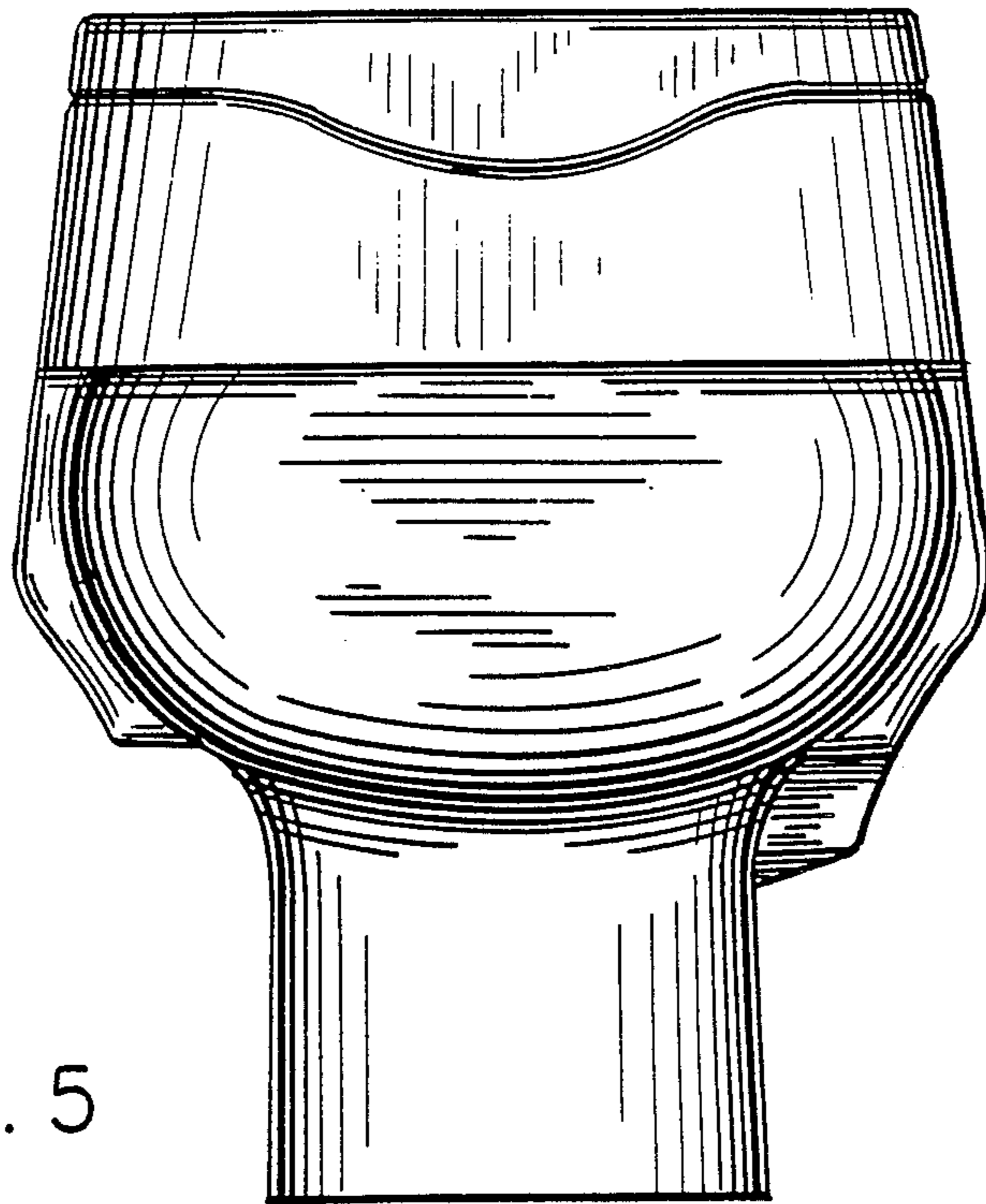


FIG. 5

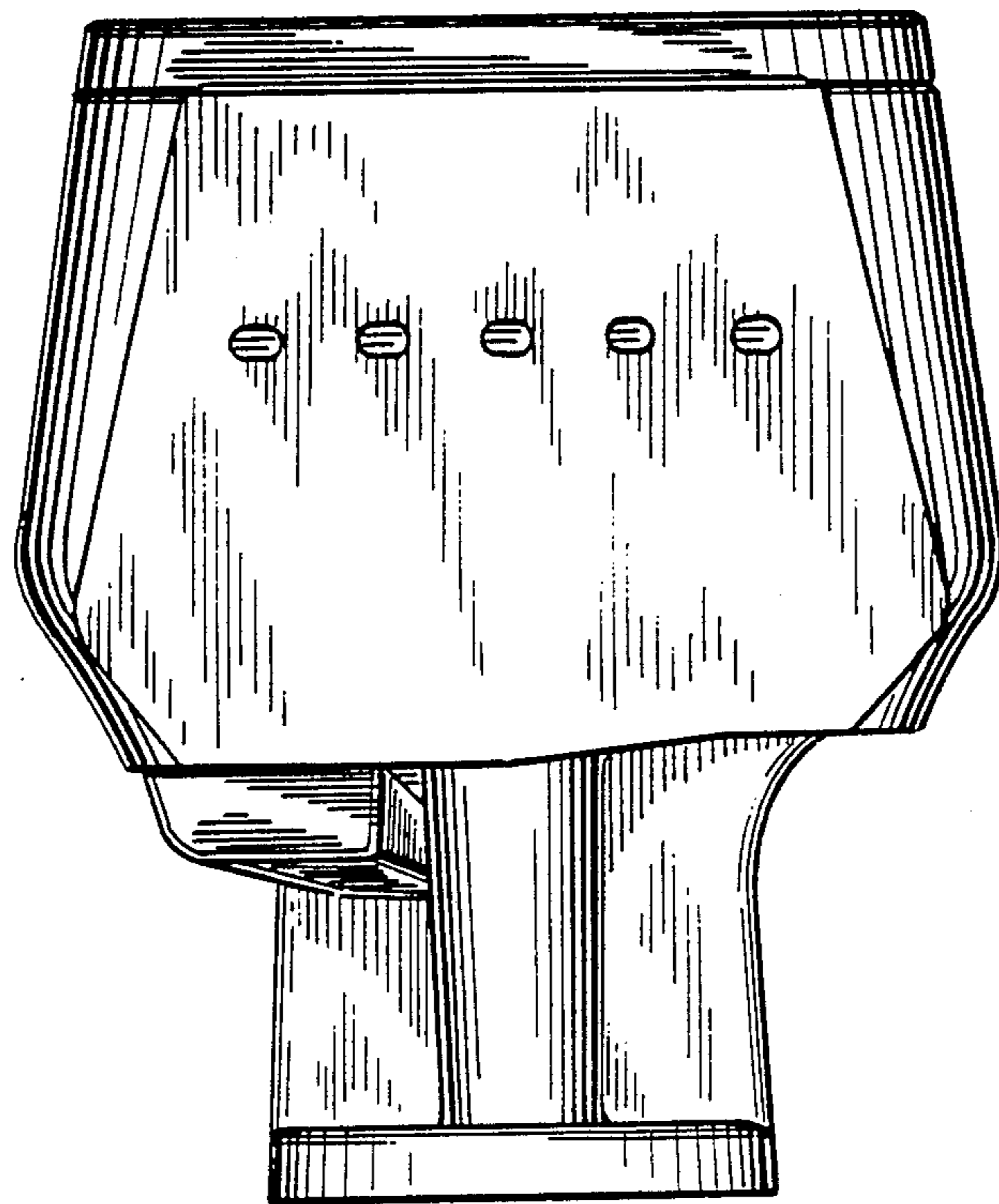


FIG. 6

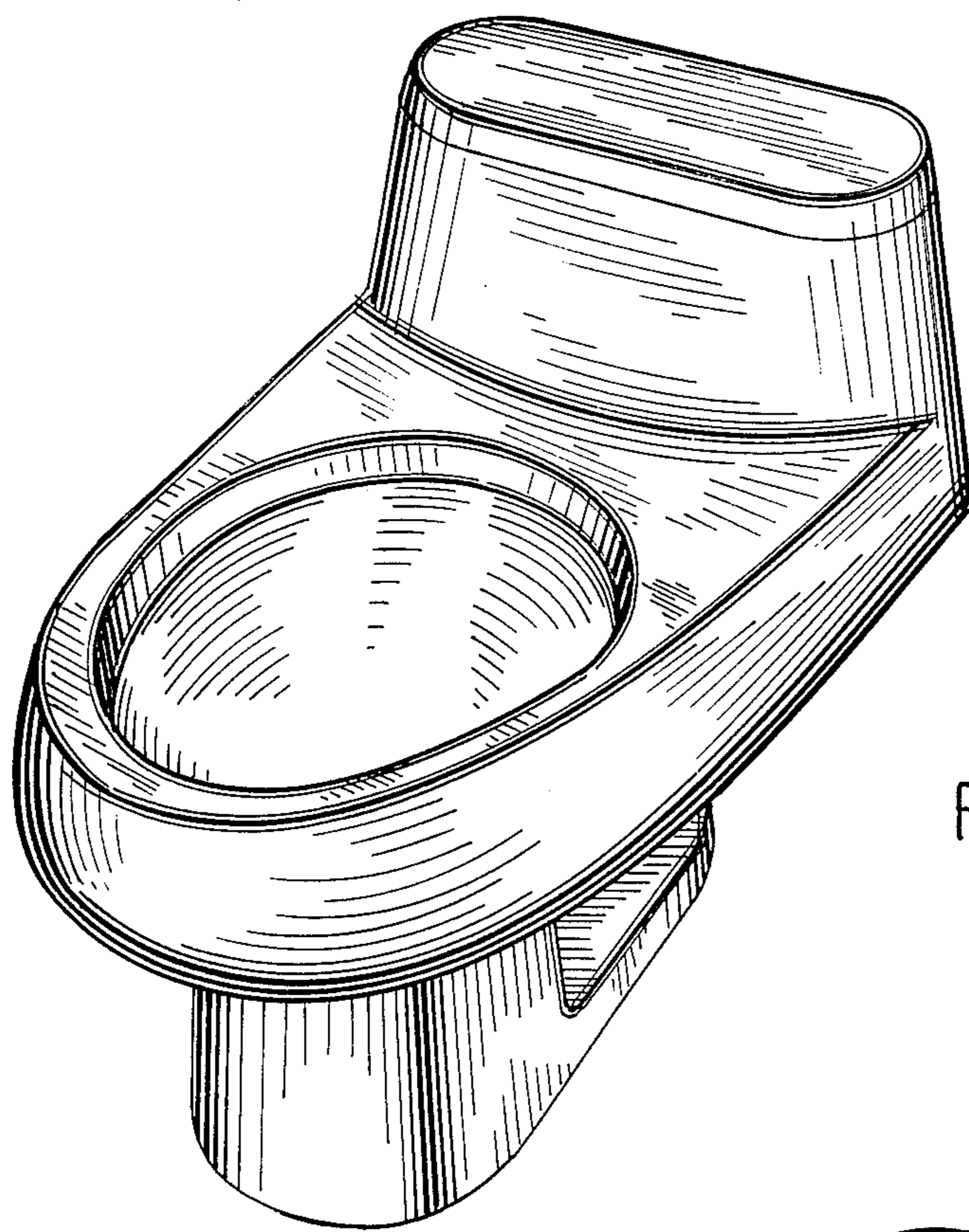


FIG. 7

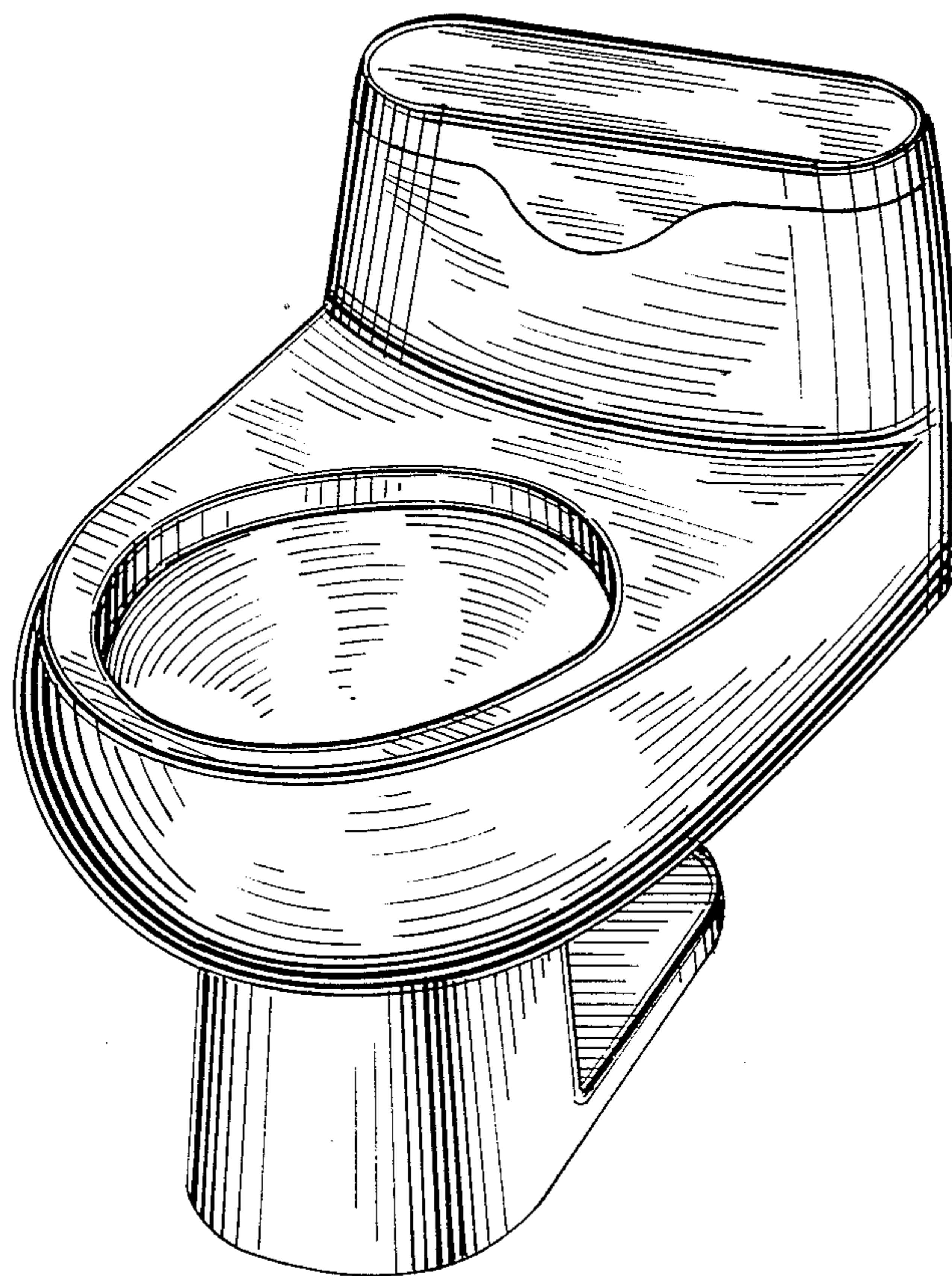


FIG. 14

FIG. 8

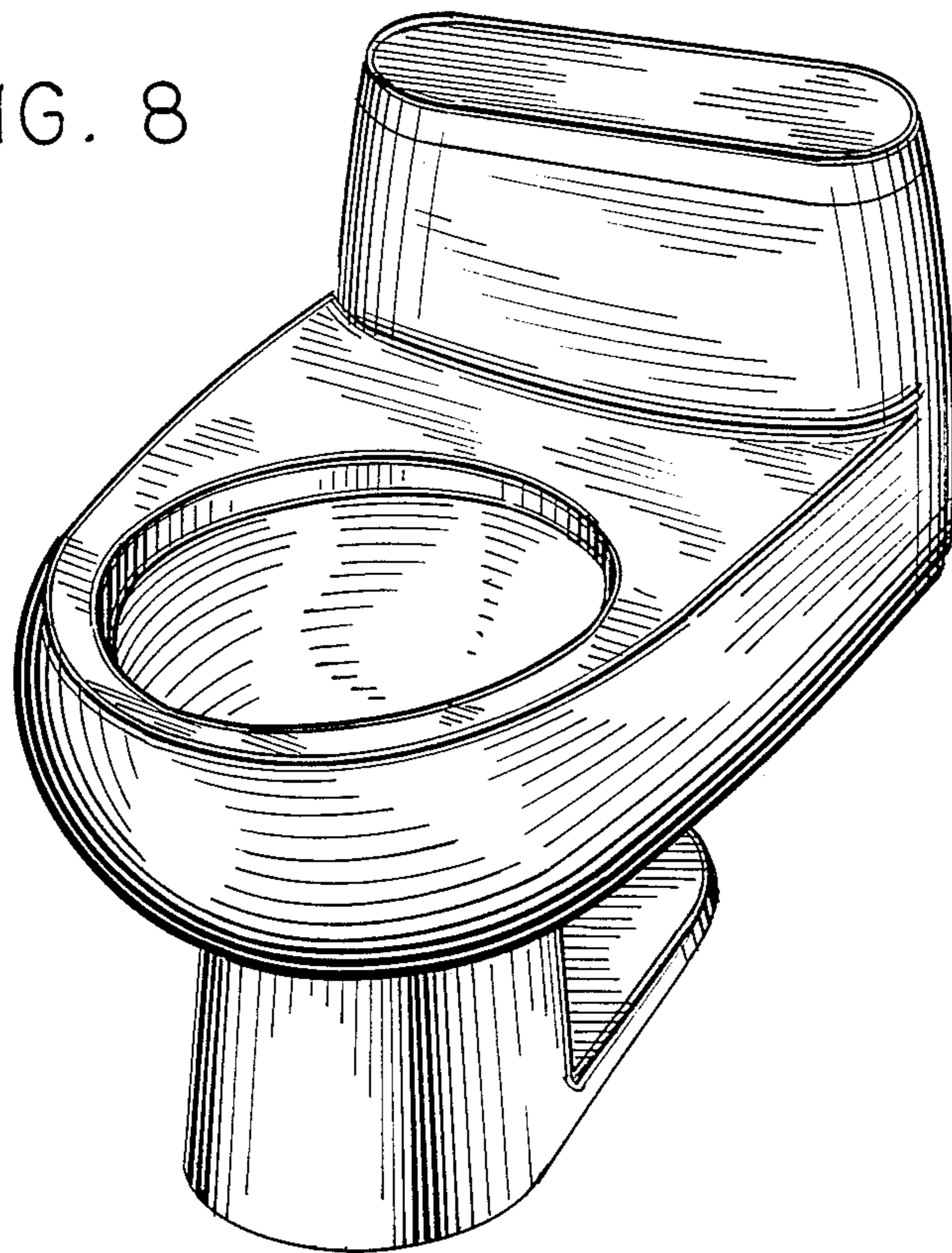
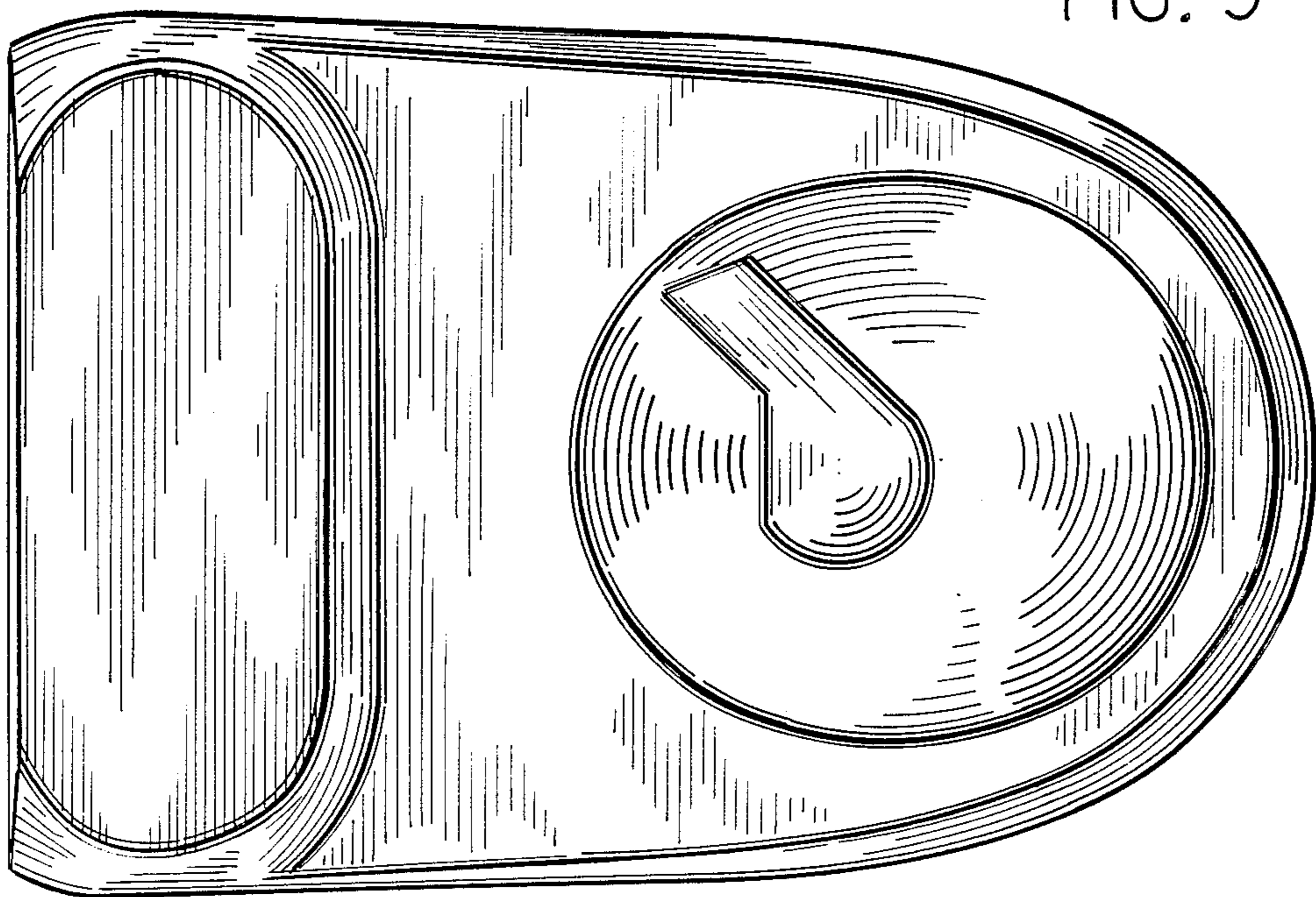
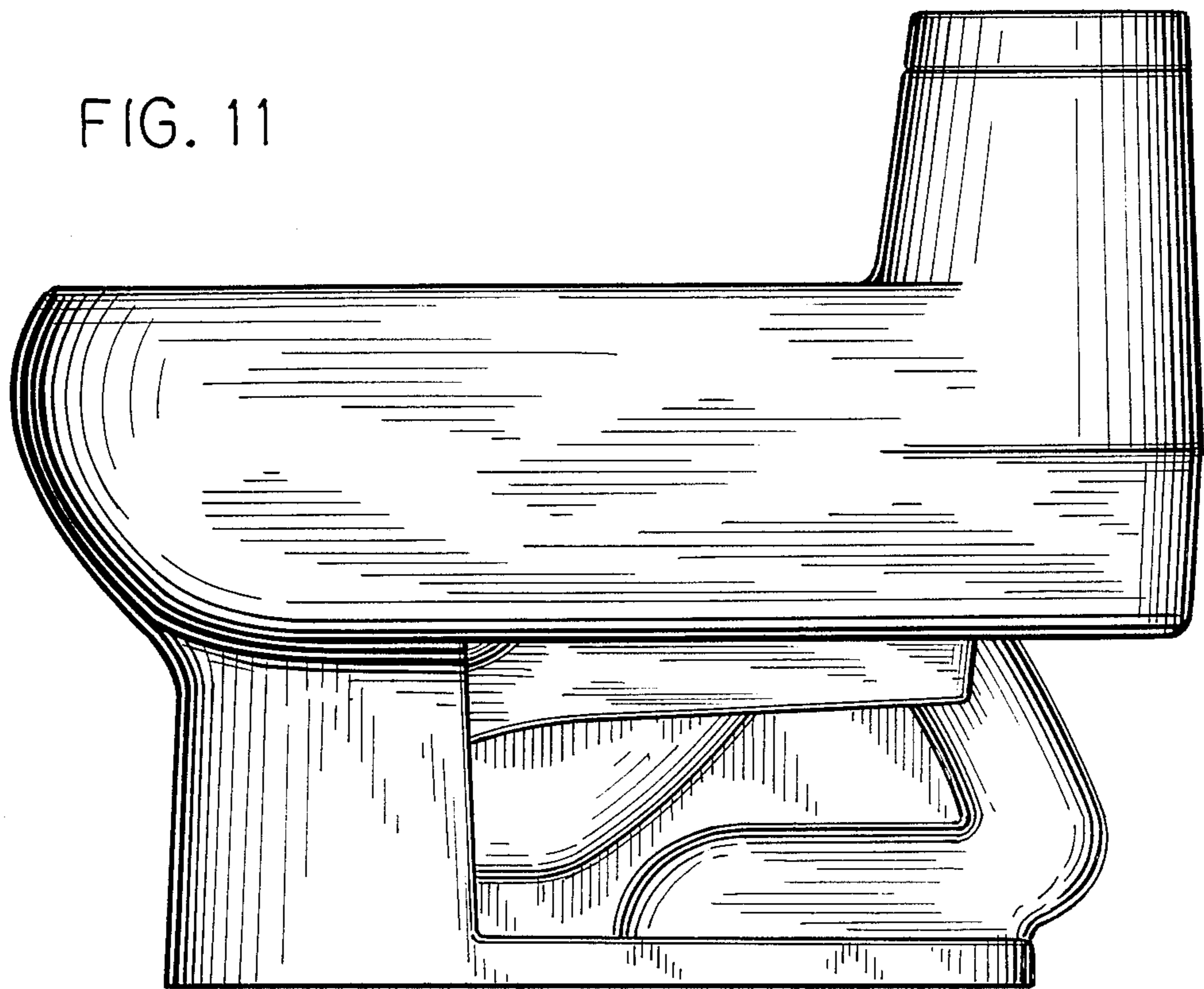
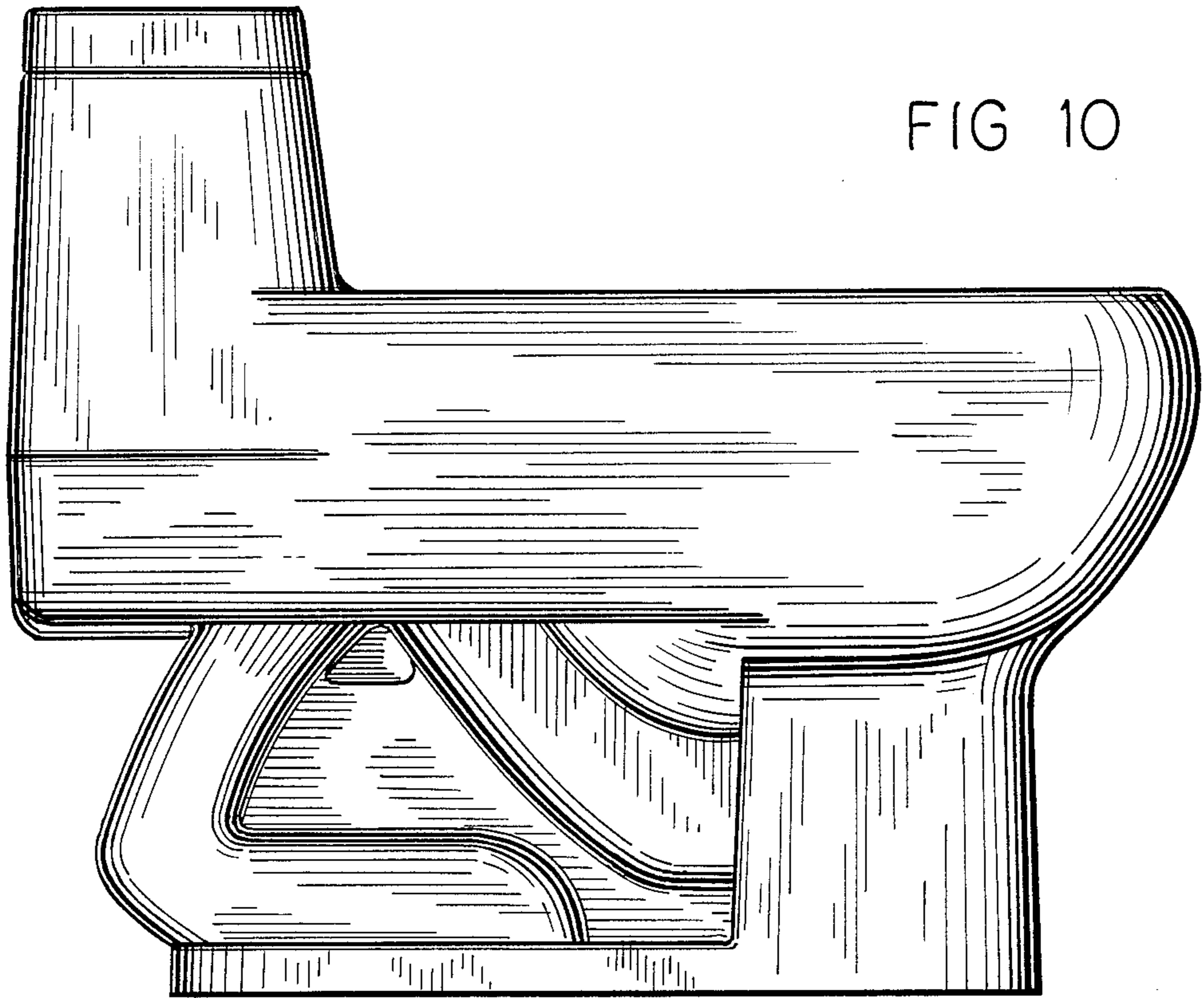


FIG. 9





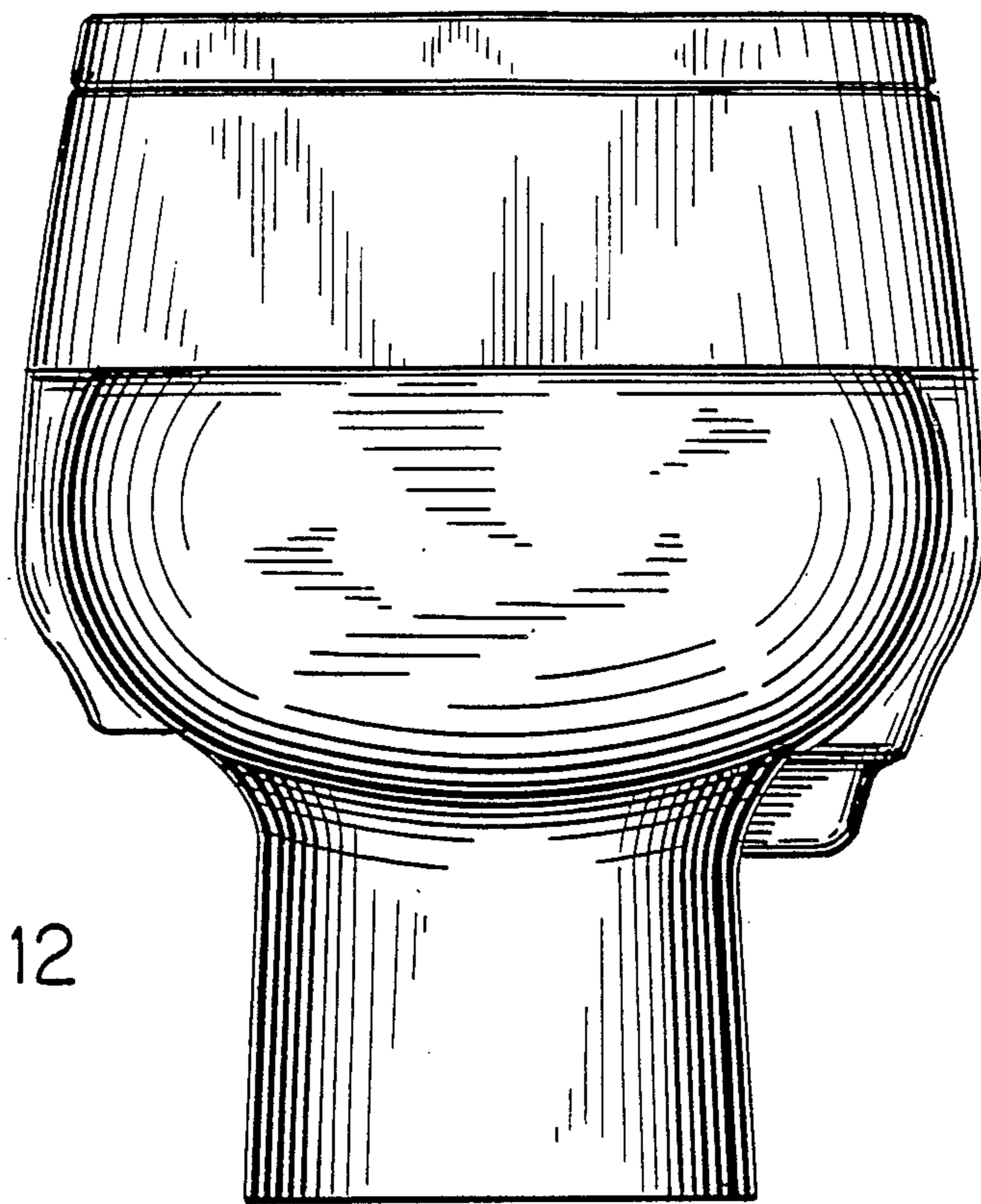


FIG. 12

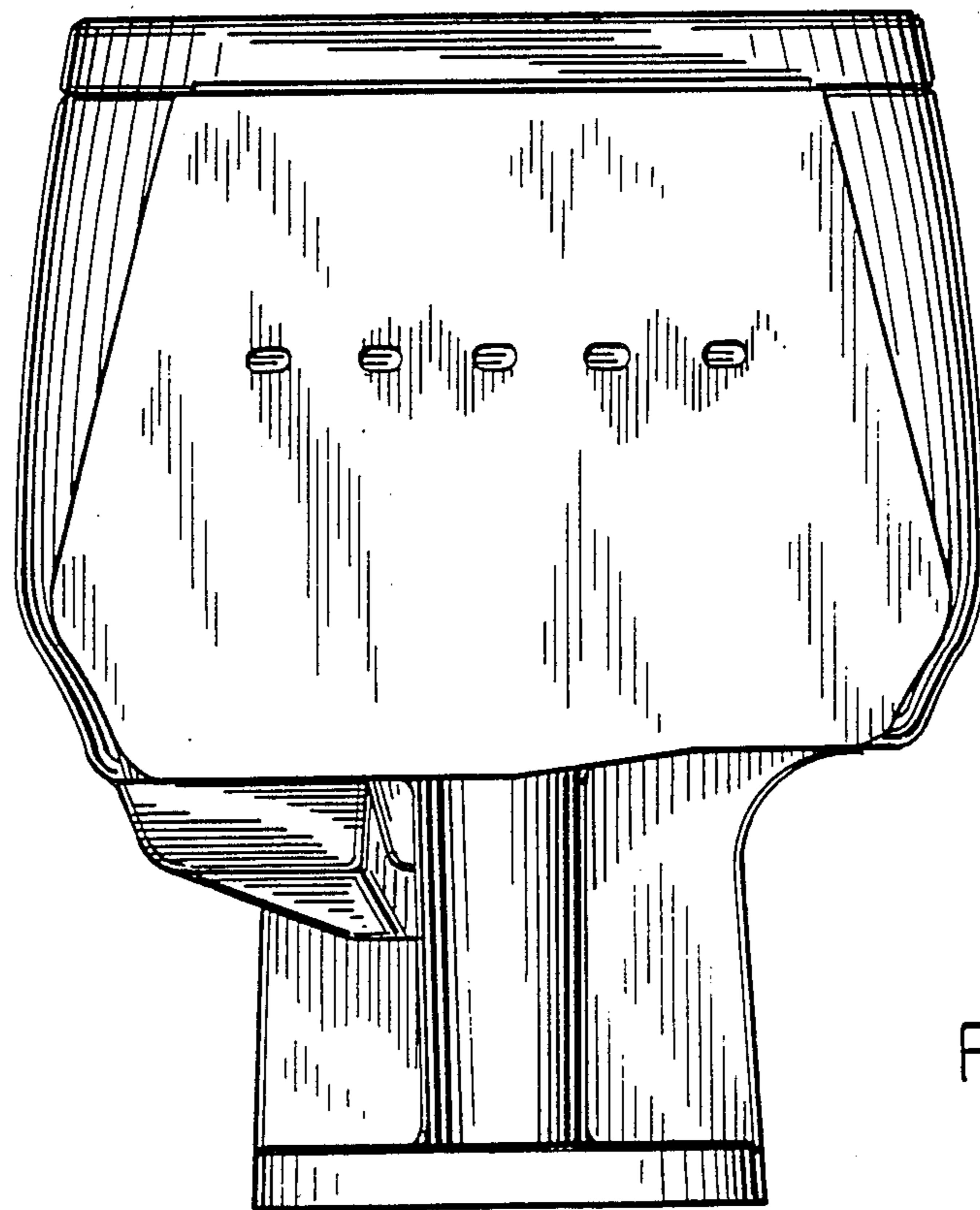


FIG. 13