

[54] **BATHROOM FAUCET**

[75] **Inventor: Joseph Strignano, New York, N.Y.**

[73] **Assignee: I. W. Industries, Melville, N.Y.**

[\*\*] **Term: 14 Years**

[21] **Appl. No.: 39,640**

[22] **Filed: Apr. 16, 1987**

[52] **U.S. Cl. .... D23/241**

[58] **Field of Search ..... D23/238-243;  
4/191-192; 137/801**

D. 202,491 10/1965 Pugliese ..... D23/243  
D. 207,045 2/1967 Hurwitz ..... D23/241  
D. 265,230 6/1982 Paul ..... D23/241  
D. 289,076 3/1987 Paul ..... D23/238

*Primary Examiner*—James R. Largen  
*Attorney, Agent, or Firm*—Alfred M. Walker

[57] **CLAIM**

The ornamental design for a bathroom faucet, as shown and described.

**DESCRIPTION**

FIG. 1 is a perspective view taken from the top, front and left side of a bathroom faucet showing my new design;

FIG. 2 is a top plan view thereof;

FIG. 3 is a front elevational view thereof;

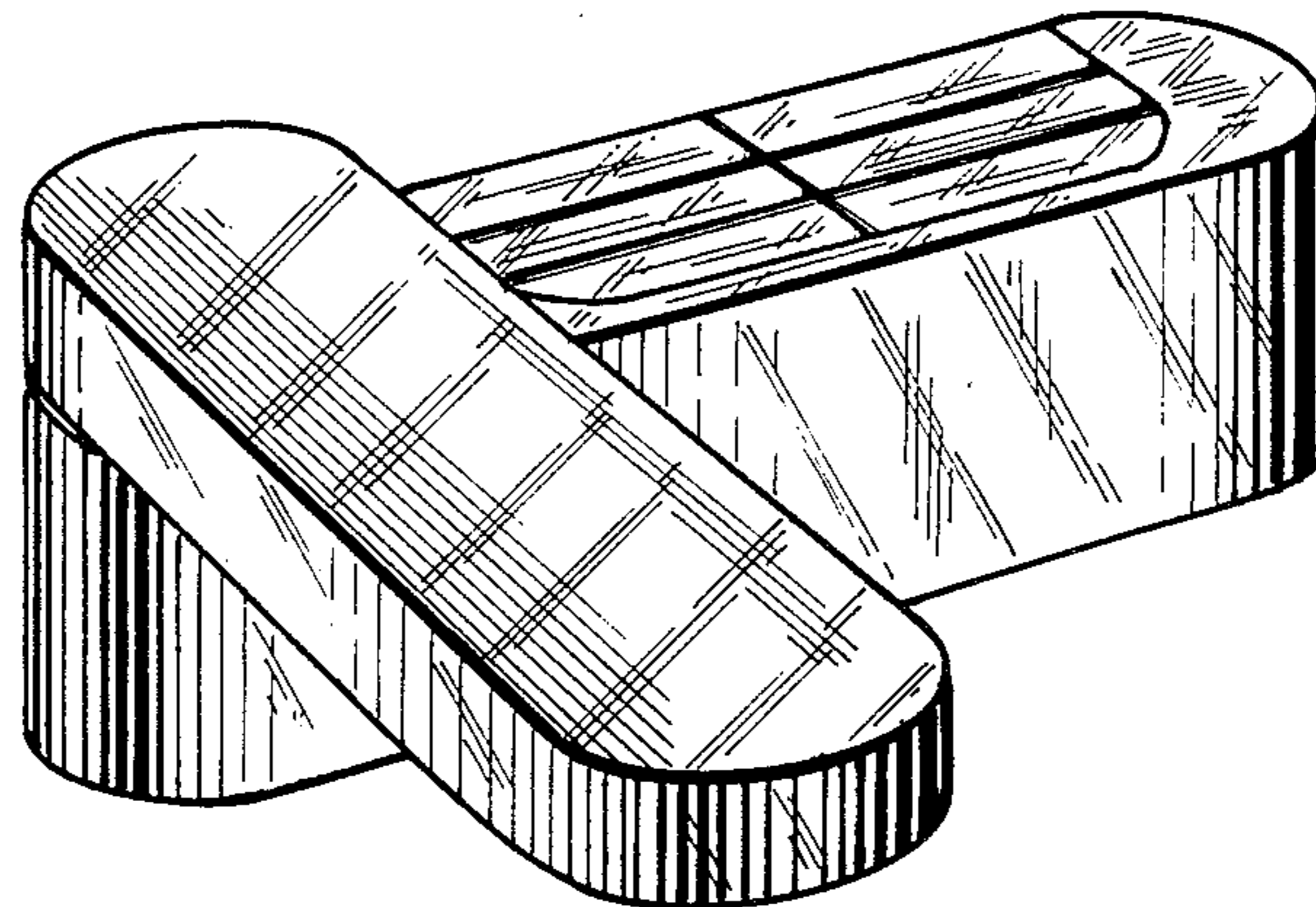
FIG. 4 is a left side elevational view thereof, the right side being a mirror image of the left side shown; and

FIG. 5 is a perspective view taken from the top, front and left side thereof showing the spout in a closed position.

[56] **References Cited**

**U.S. PATENT DOCUMENTS**

D. 149,195 4/1948 Little ..... D23/243  
D. 163,598 6/1951 Hall ..... D23/241  
D. 193,417 8/1962 Moore ..... D23/239  
D. 193,648 9/1962 Moore ..... D23/239  
D. 199,610 11/1964 Boyles ..... D23/241  
D. 202,407 9/1965 Grasmehr ..... D23/243



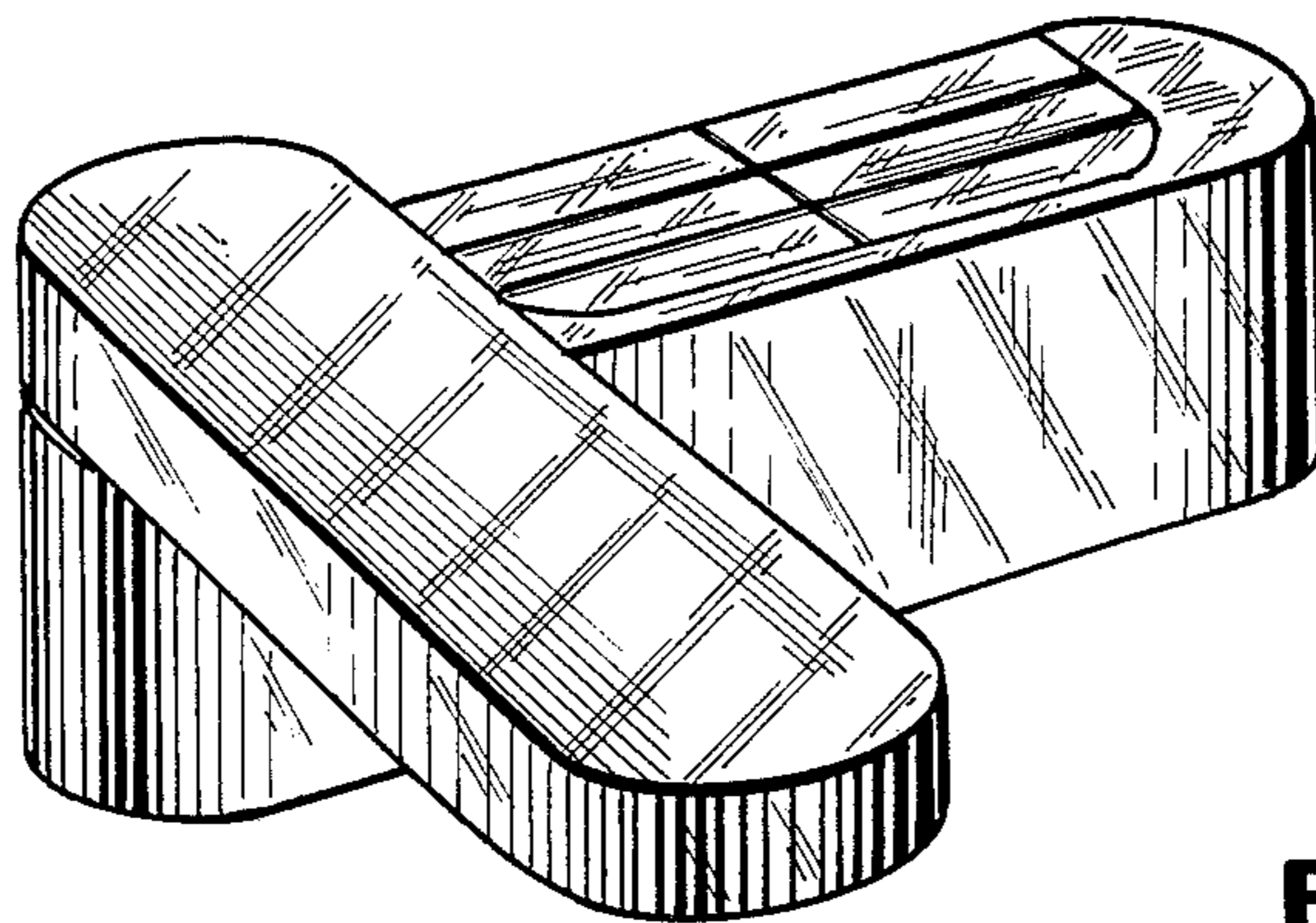


Fig. 1

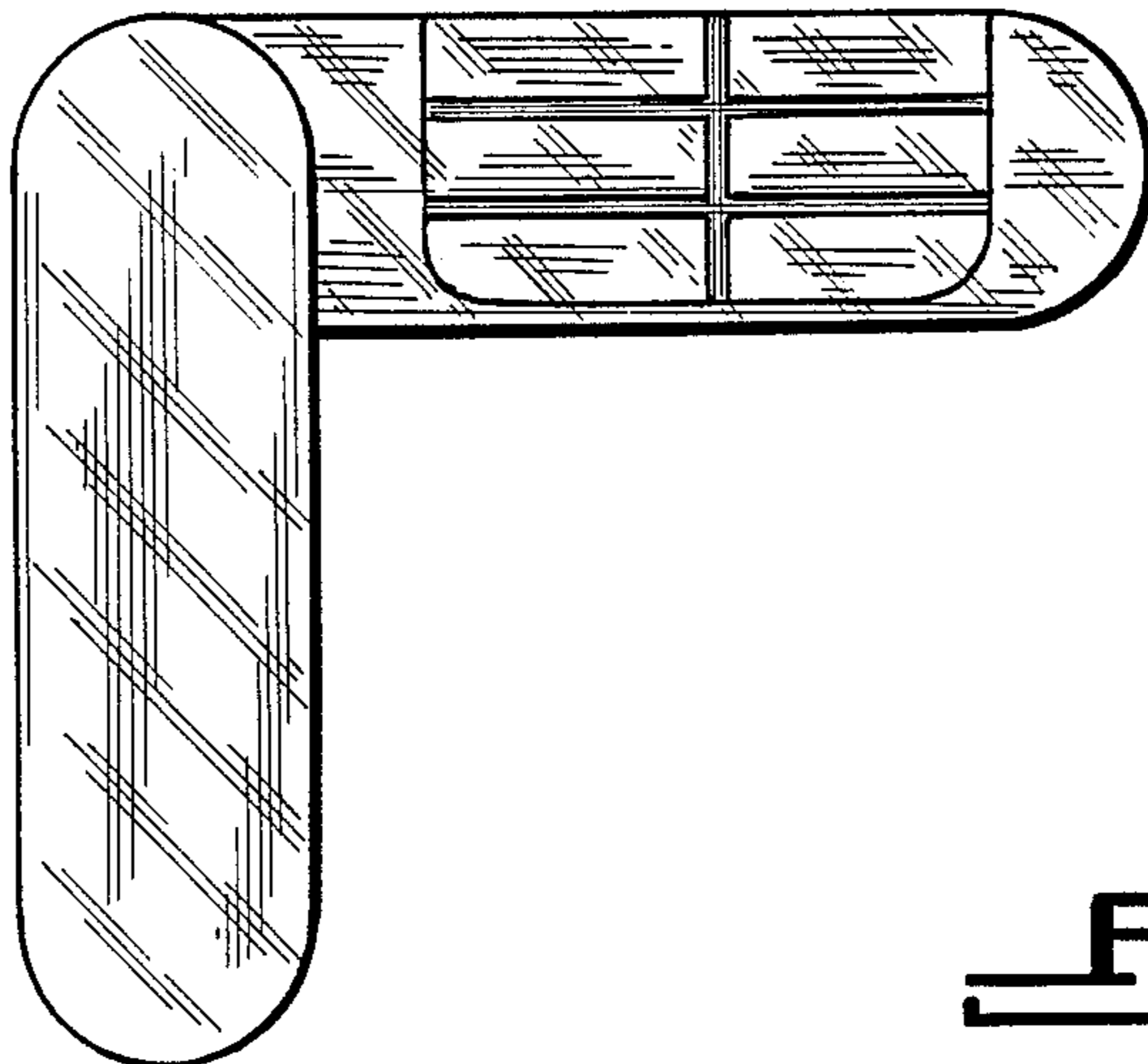


Fig. 2

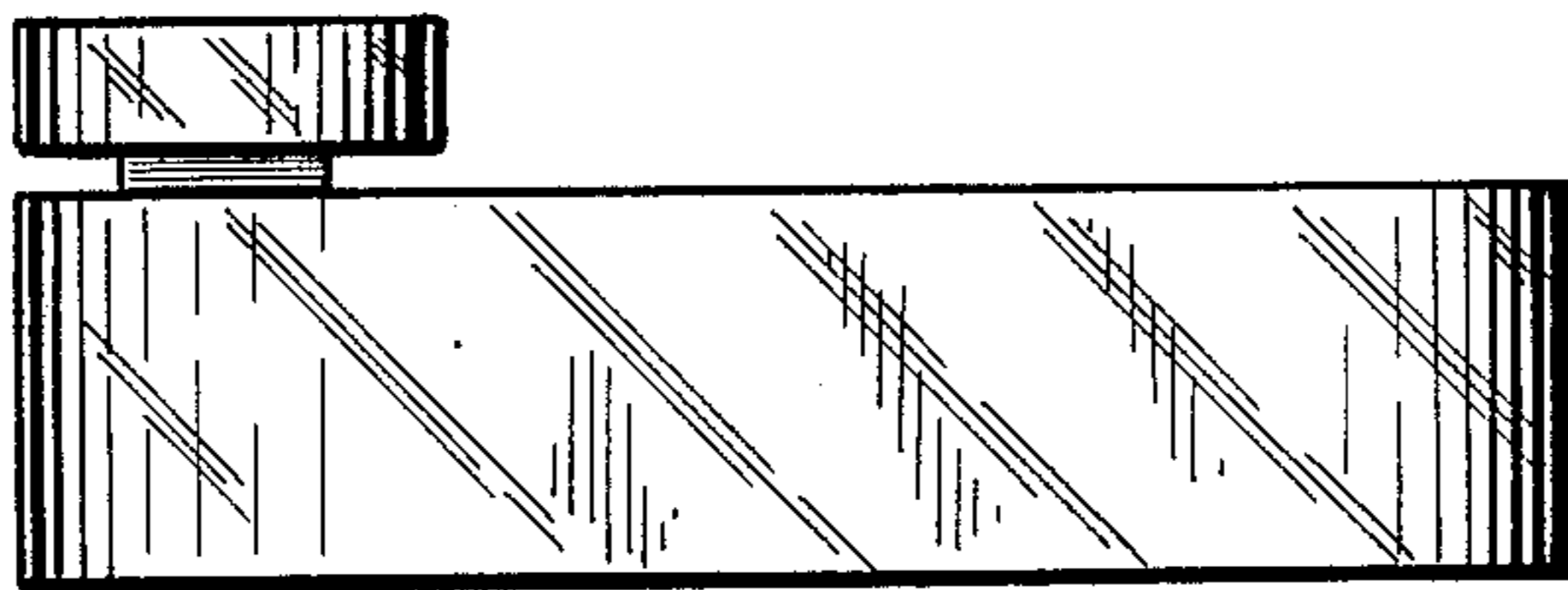


Fig. 3

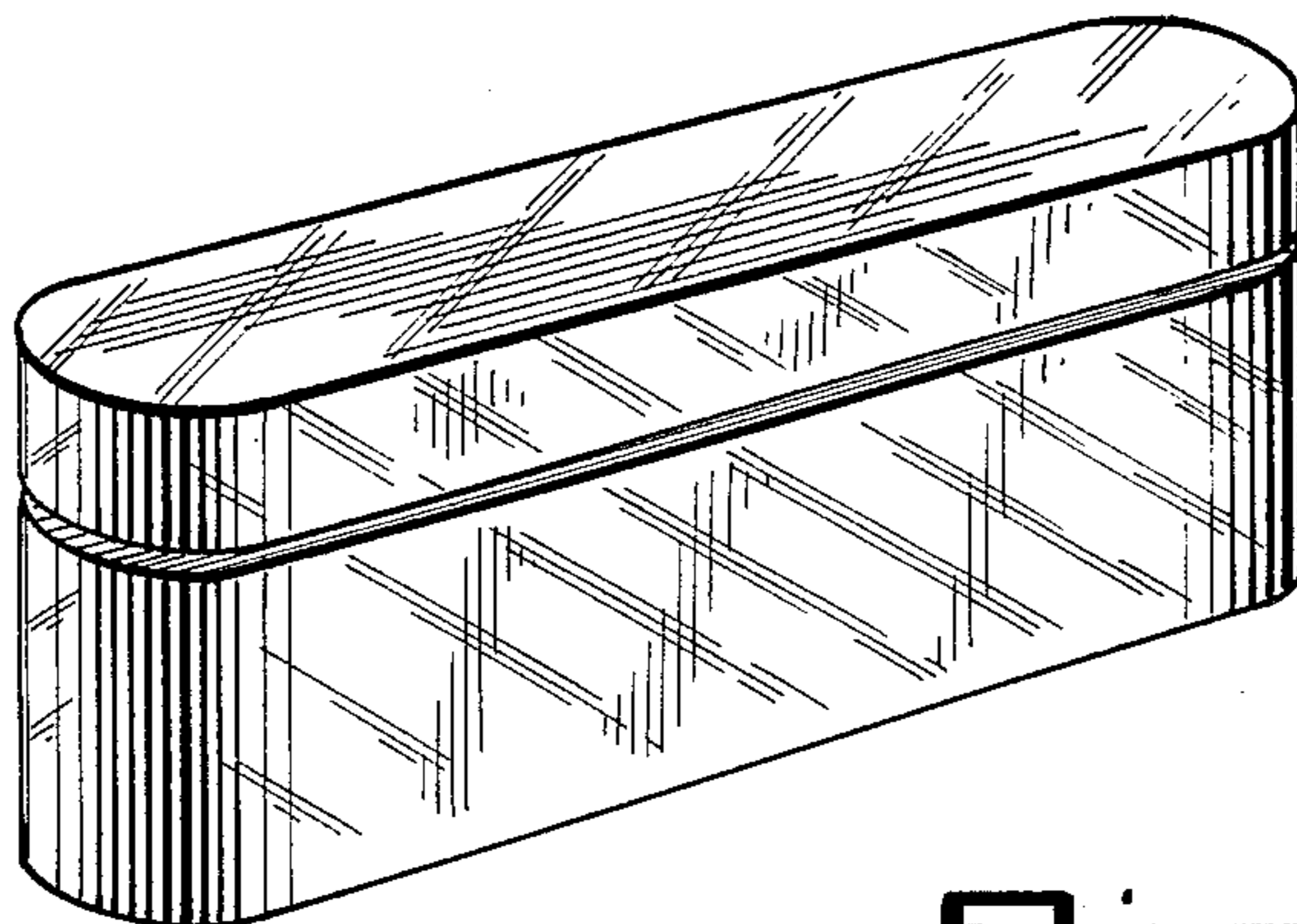


Fig. 5

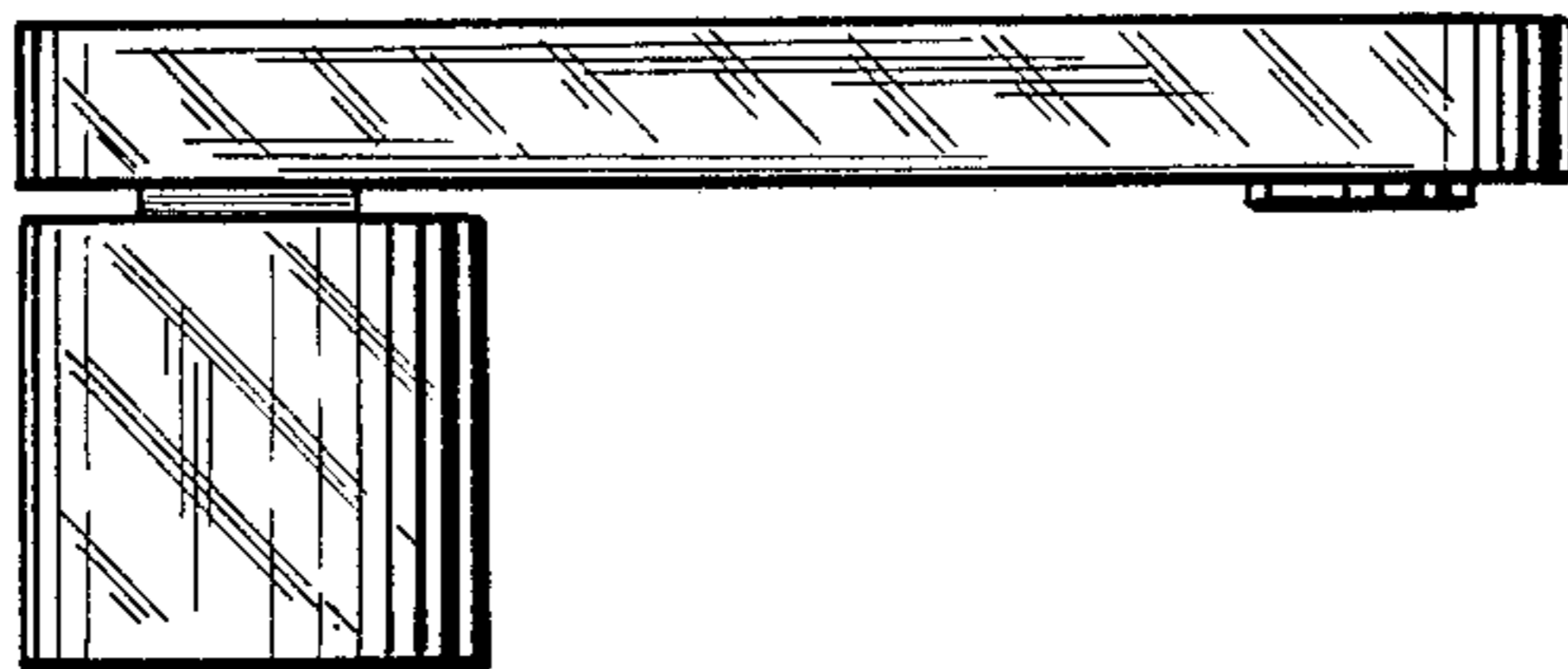


Fig. 4