

[54] **OIL FILTER ADAPTOR FOR USE WITH AN INTERNAL COMBUSTION ENGINE**

[76] **Inventor: Alan Lundquist, 201 A Industrial Ct., Wylie, Tex. 75098**

[**] **Term: 14 Years**

[21] **Appl. No.: 191,492**

[22] **Filed: May 9, 1988**

[52] **U.S. Cl. D23/209**

[58] **Field of Search D23/200, 207, 208, 209, D23/210; 210/136, 238, 234, 282, 440, 444, 446, 447, 448, 457, 492, 292, 133, DIG. 17**

[56] **References Cited**

U.S. PATENT DOCUMENTS

D. 164,698	10/1951	Mathews	D23/209
D. 199,139	9/1964	Kudlaty	D23/209
D. 200,995	4/1965	Hiers et al.	D23/207
D. 216,260	12/1969	Diemond	D23/209
D. 220,263	3/1971	Hughes	D23/209
D. 250,415	11/1978	Rosaen et al.	D23/209
D. 280,757	9/1985	Paulovich et al.	D23/207
2,760,646	8/1956	Emerson	210/446 X
2,886,177	5/1959	Prescott	210/292

3,334,754 8/1967 Kudlaty 210/444

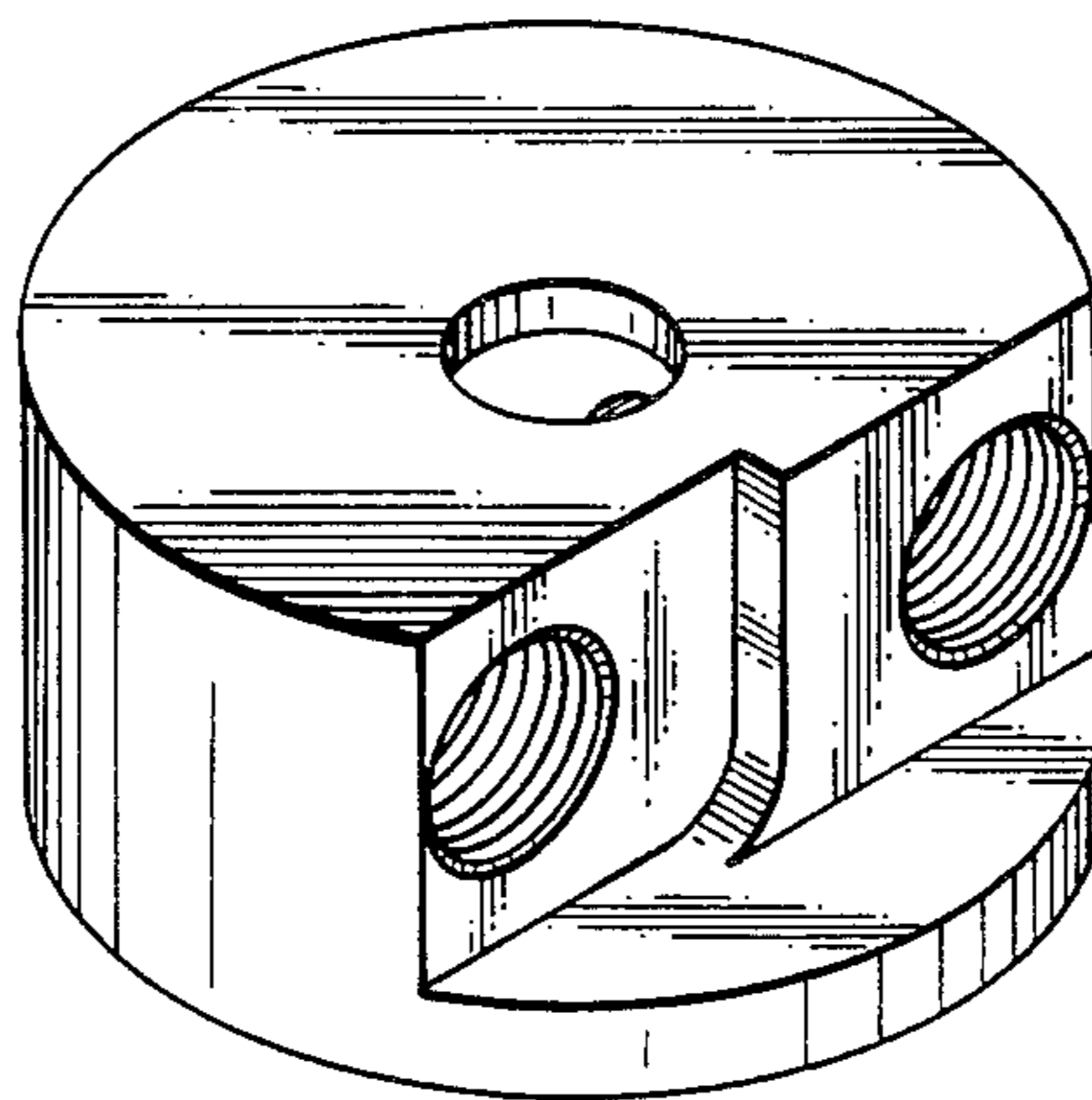
Primary Examiner—Susan J. Lucas
Assistant Examiner—M. H. Tung
Attorney, Agent, or Firm—L. Dan Tucker

[57] **CLAIM**

The ornamental design for an oil filter adaptor for use with an internal combustion engine, as shown and described.

DESCRIPTION

FIG. 1 is a perspective view of an oil filter adaptor for use with an internal combustion engine showing my new design;
 FIG. 2 is a front elevational view thereof on an enlarged scale;
 FIG. 3 is a side elevational view thereof on an enlarged scale, taken from the right side of FIG. 1;
 FIG. 4 is a back elevational view thereof on an enlarged scale;
 FIG. 5 is a side elevational view thereof on an enlarged scale, taken from the left side of FIG. 1;
 FIG. 6 is a top plan view thereof on an enlarged scale; and,
 FIG. 7 is a bottom plan view thereof on an enlarged scale.



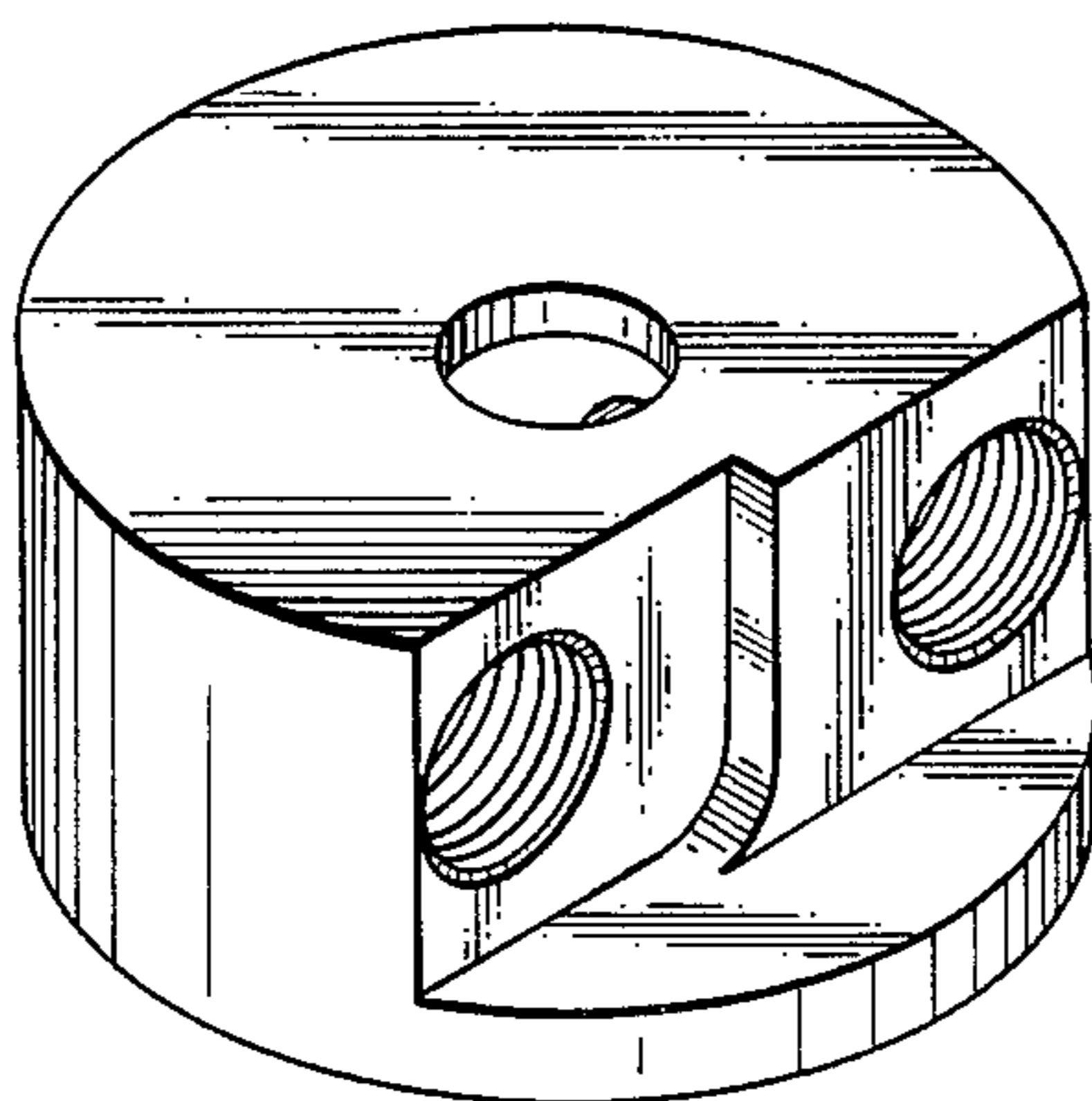


FIG. 1

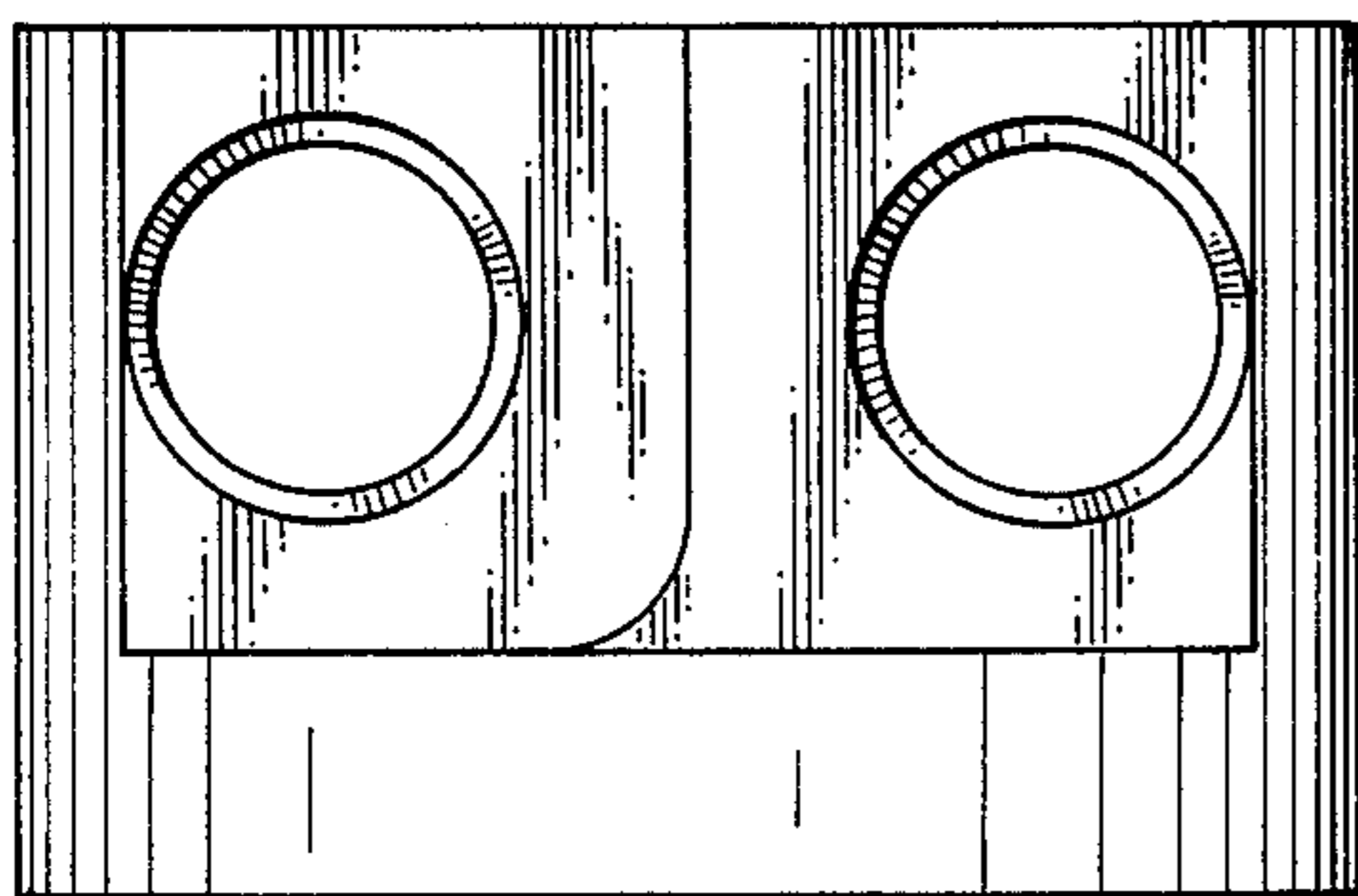


FIG. 2

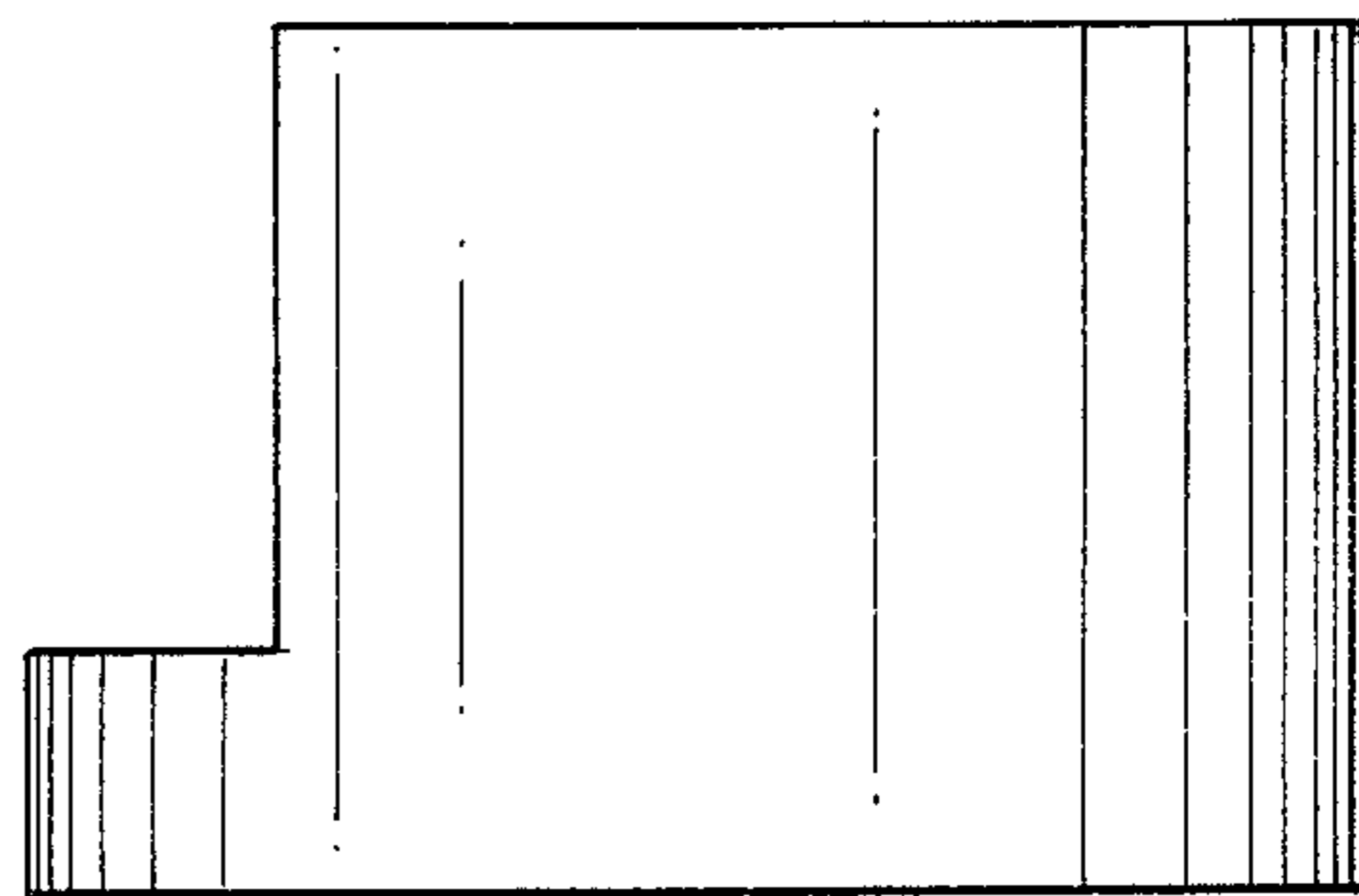


FIG. 3

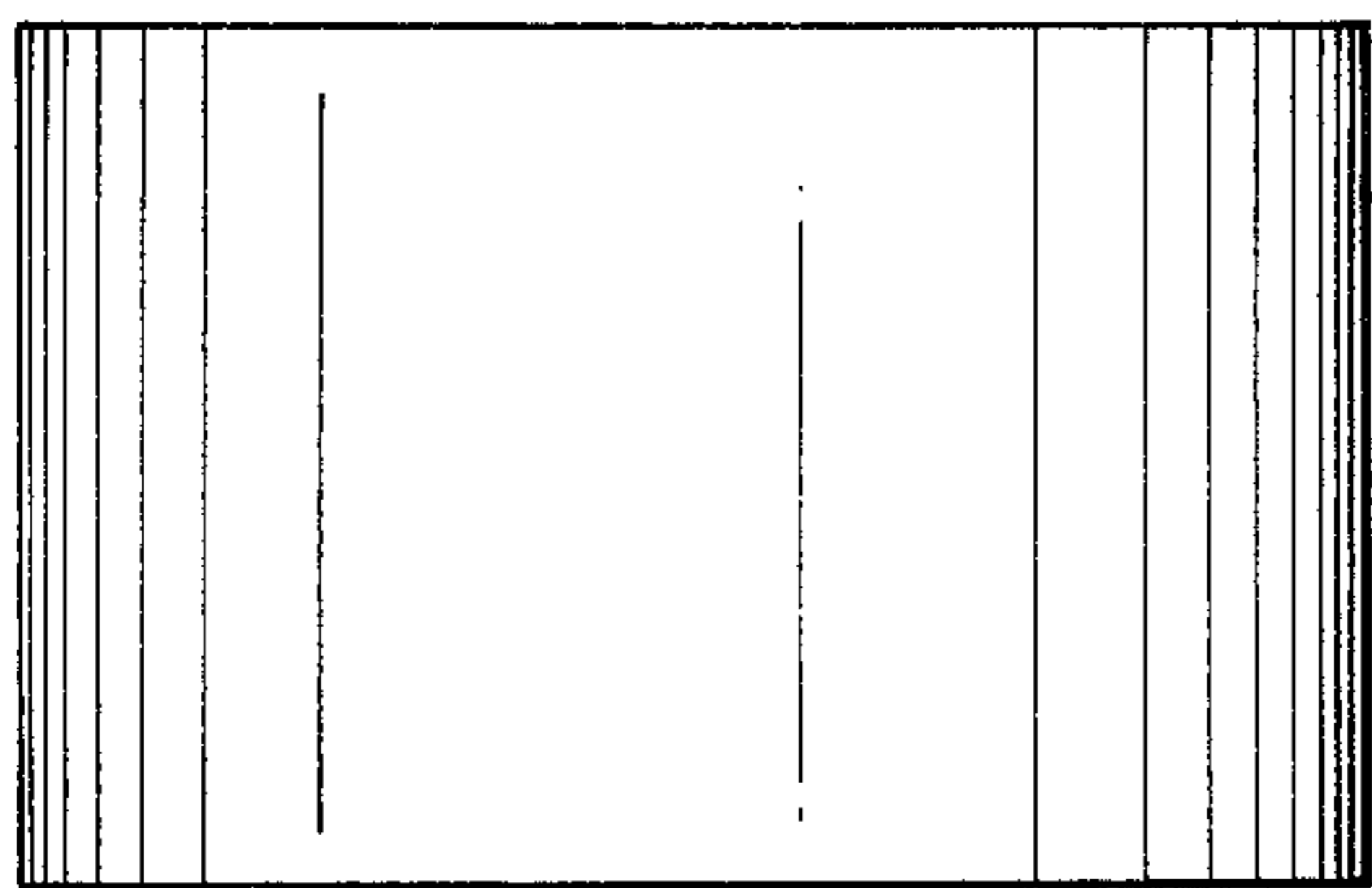


FIG. 4

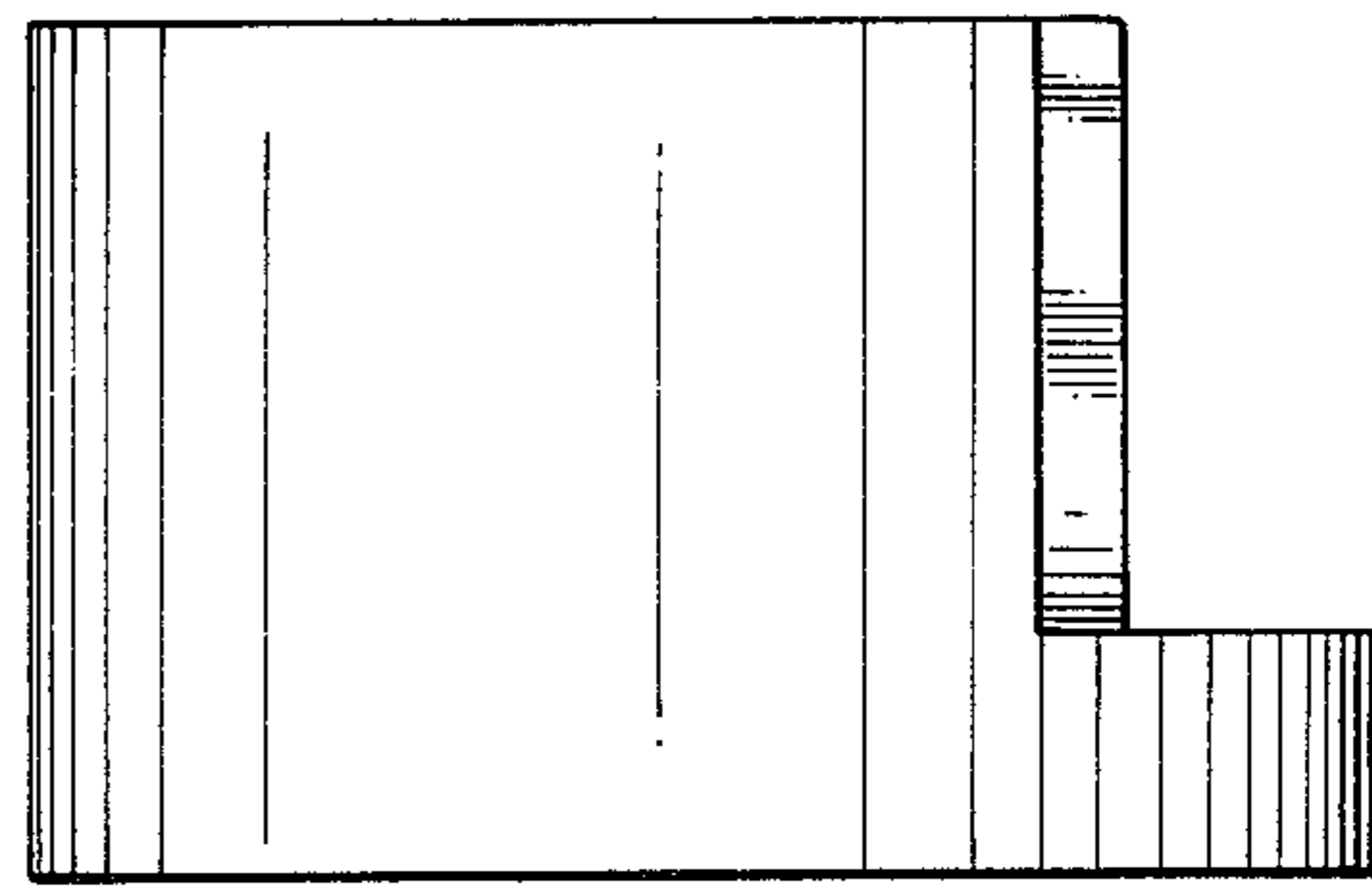


FIG. 5

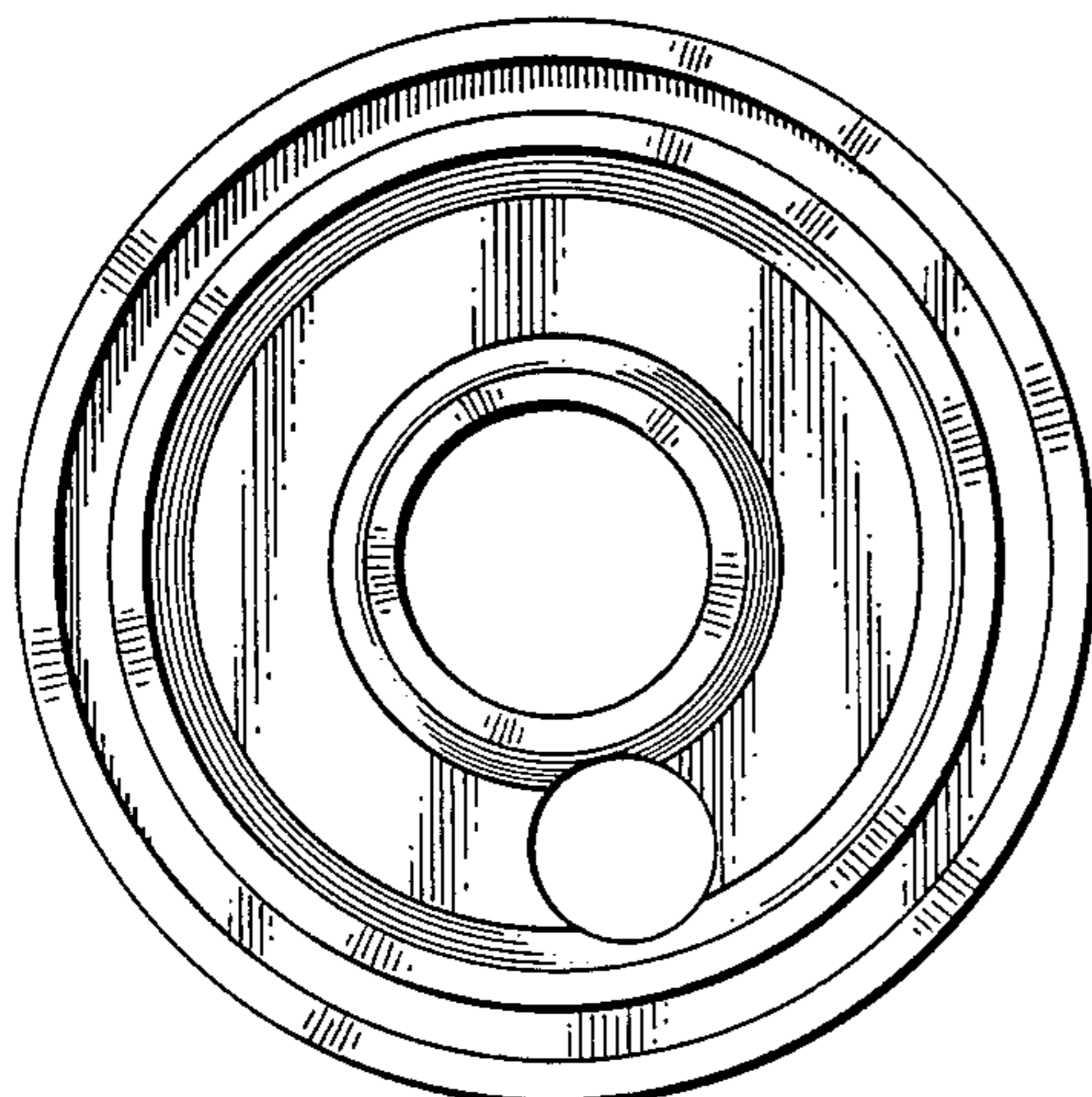


FIG. 7

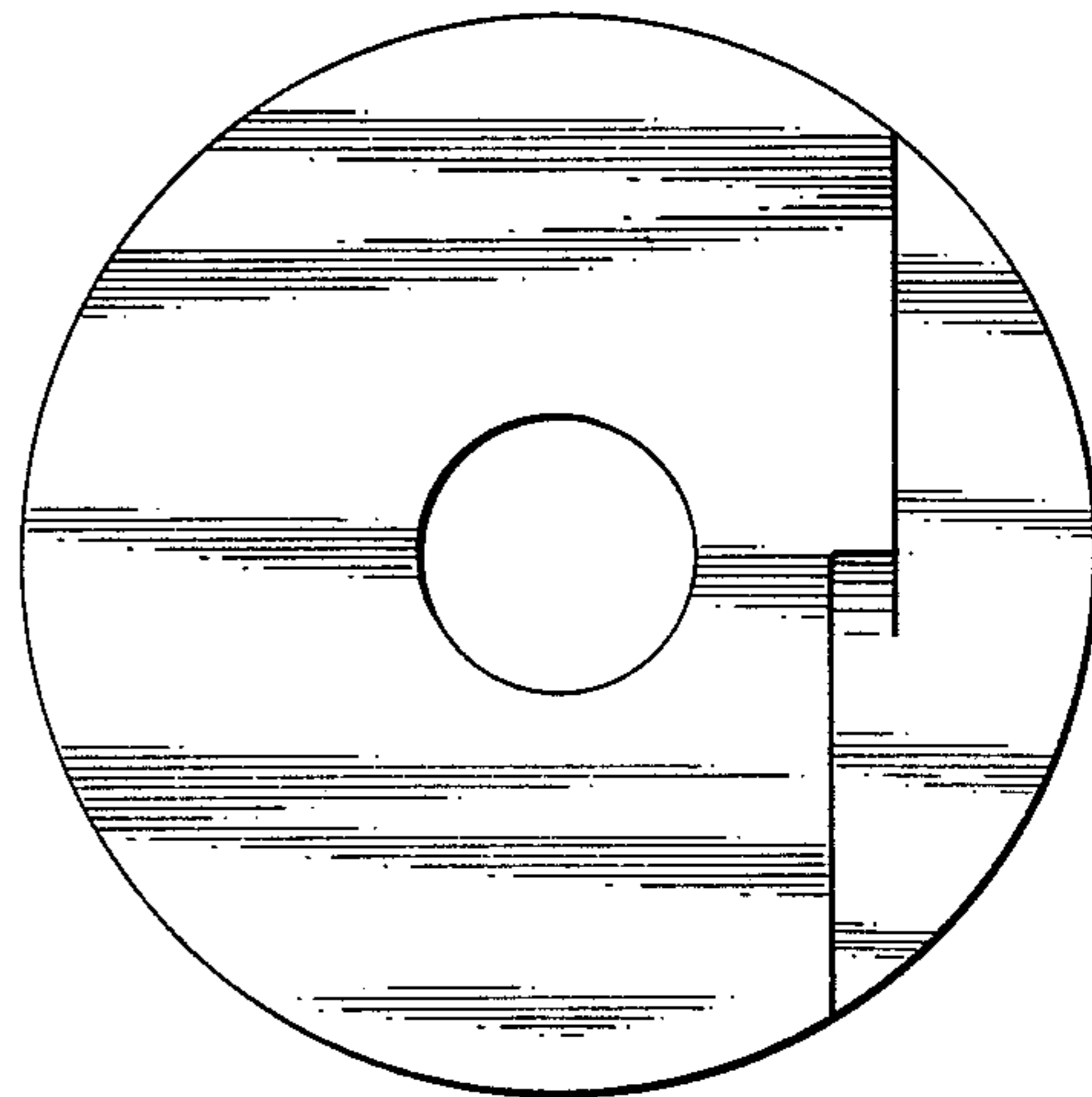


FIG. 6