

[54] COVER FOR TAMPER RESISTANT BAIT TRAY OR SIMILAR ARTICLE

[75] Inventors: Bryan E. Petersen, Westwood; Michael Kanceljak, Bloomingdale, both of N.J.

[73] Assignee: American Cyanamid Company, Stamford, Conn.

[\*] Notice: The portion of the term of this patent subsequent to Oct. 9, 2004 has been disclaimed.

[\*\*] Term: 14 Years

[21] Appl. No.: 54,153

[22] Filed: Oct. 1, 1987

[52] U.S. Cl. .... D22/119

[58] Field of Search ..... D22/119; 43/58, 107, 43/114, 121, 131

[56] References Cited

U.S. PATENT DOCUMENTS

D. 278,842	5/1985	Woodruff	.....	D22/119
4,468,883	9/1984	Williams	.....	D22/119 X
4,563,836	1/1986	Woodruff et al.	.....	43/131
4,793,093	12/1988	Gentile	.....	43/131

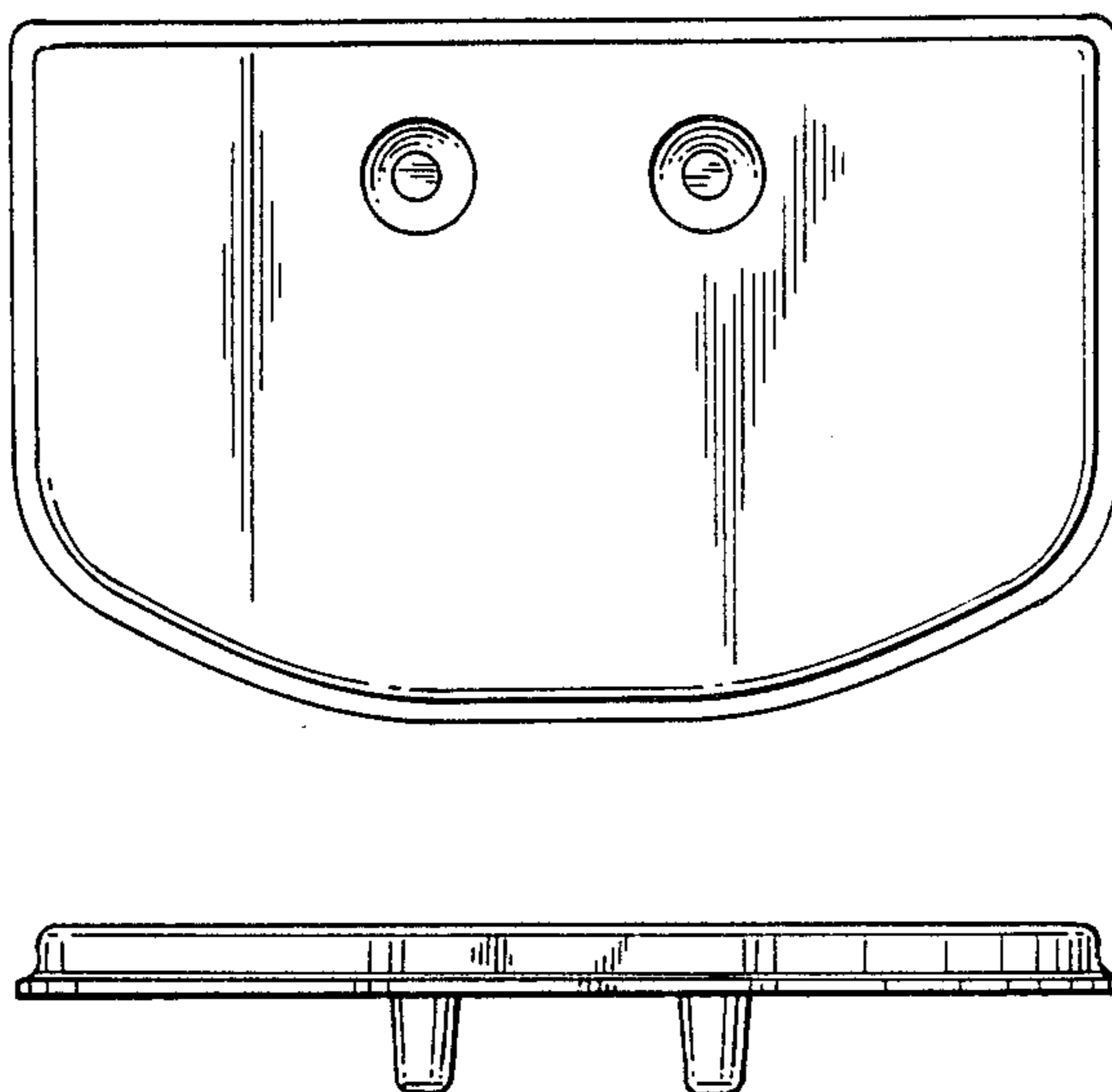
Primary Examiner—A. Hugo Word  
Assistant Examiner—Doris V. Coles  
Attorney, Agent, or Firm—Charles J. Fickey

[57] CLAIM

The ornamental design for a cover for tamper resistant bait tray or similar article, as shown and described.

DESCRIPTION

FIG. 1 is a top plan view of a cover for tamper resistant bait tray, or similar article, showing our new design; FIG. 2 is a front elevational view thereof; FIG. 3 is a bottom plan view thereof; FIG. 4 is a left side elevational view thereof; FIG. 5 is a right side elevational view thereof; FIG. 6 is a rear elevational view thereof; and FIG. 7 is a cross-sectional view, taken along lines 7—7 of FIG. 3.



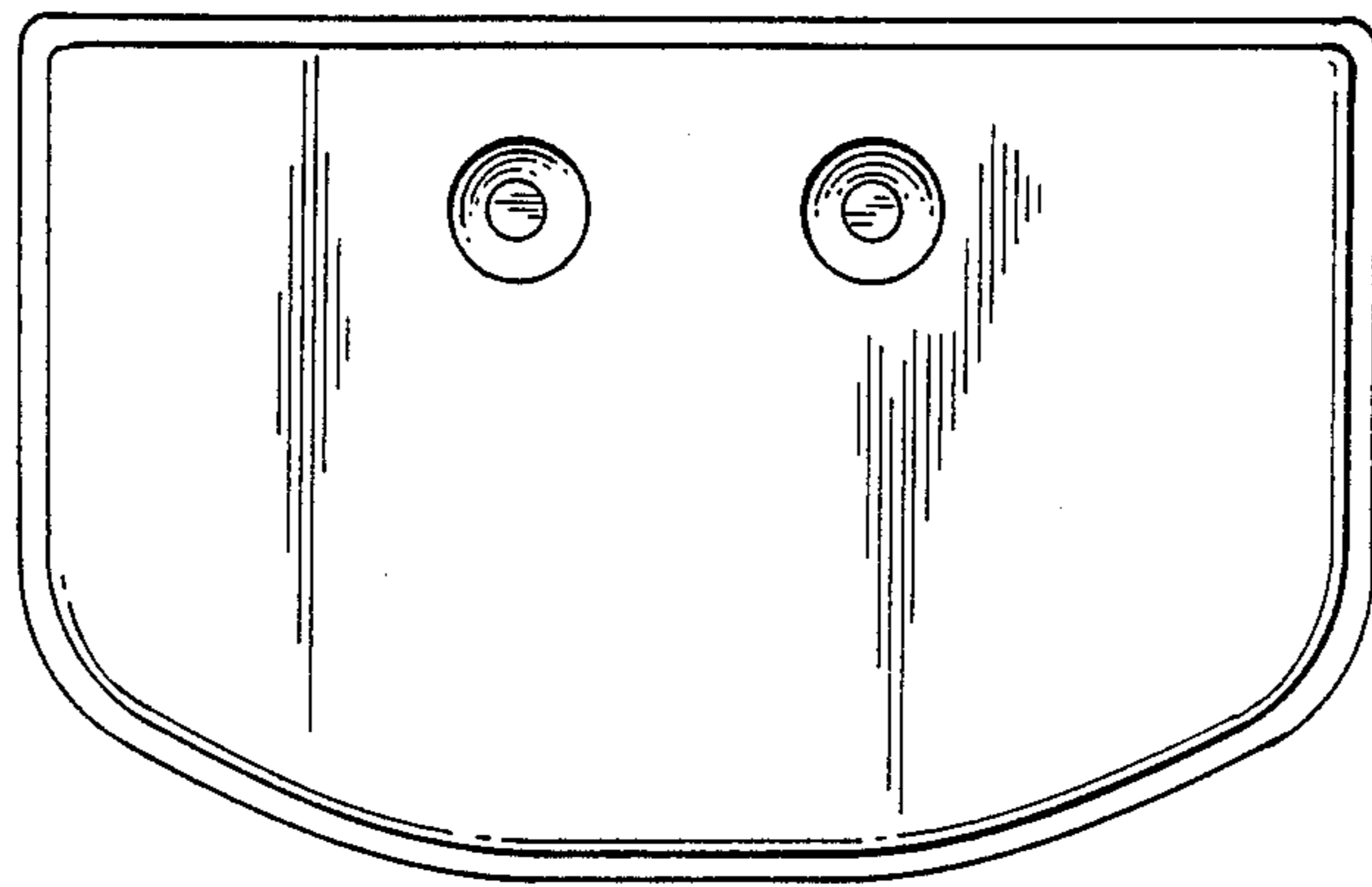


FIG. 1

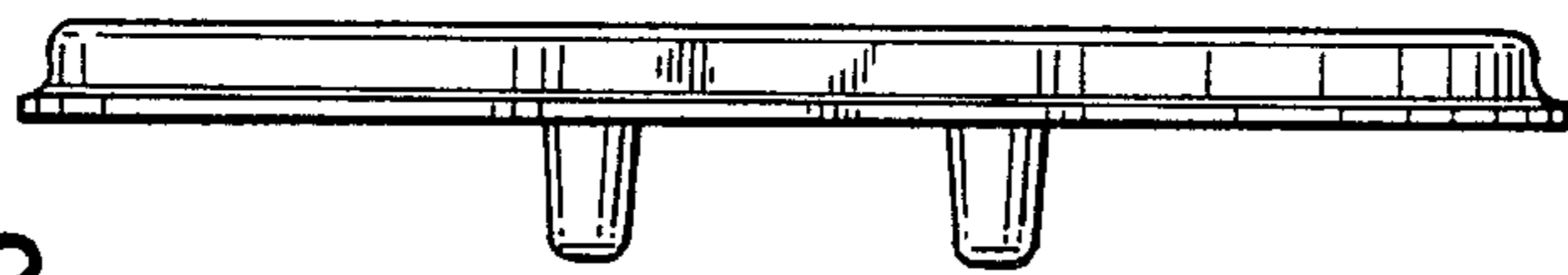


FIG. 2

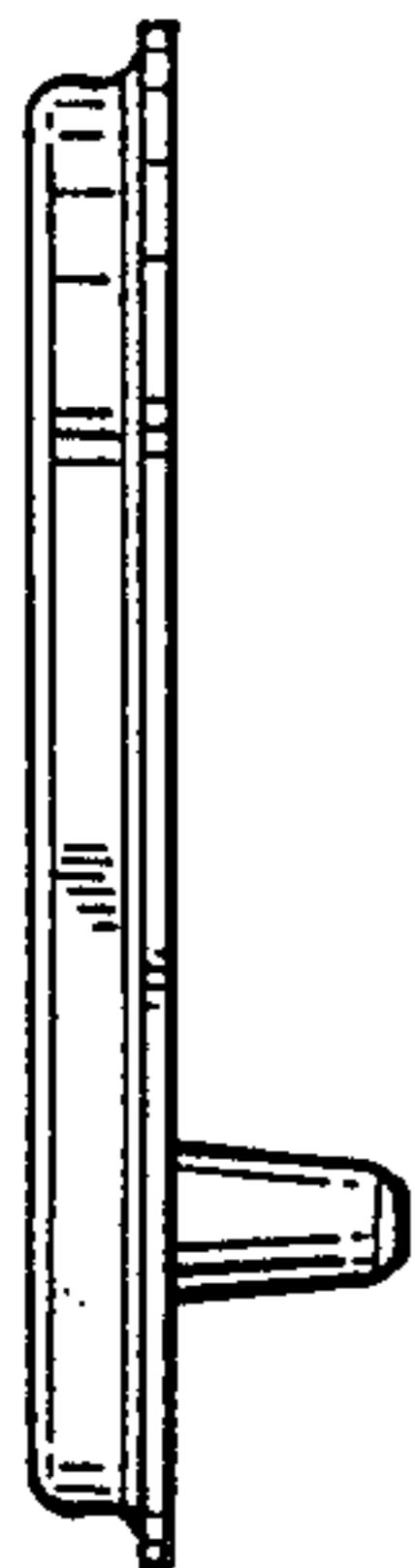


FIG. 4

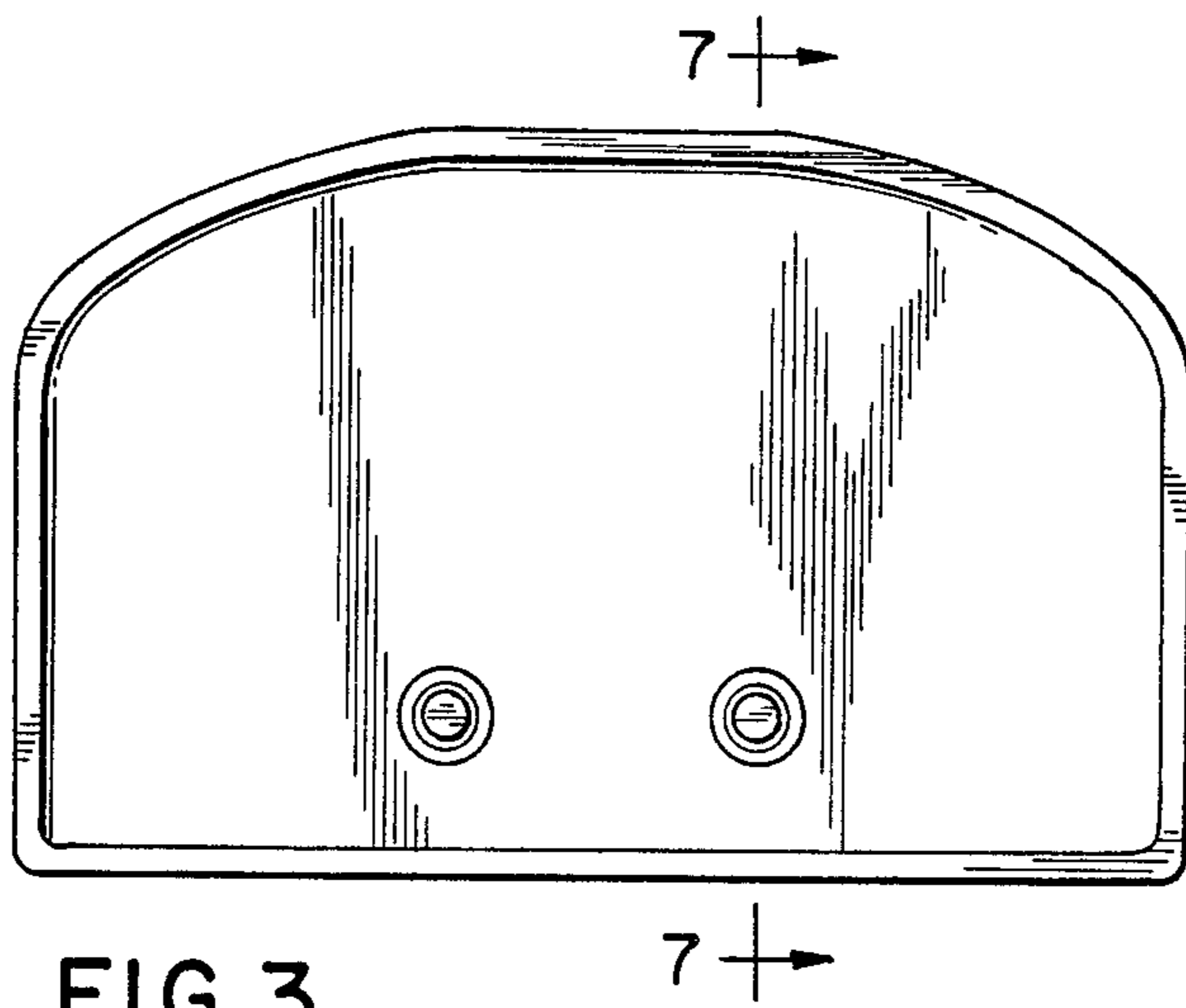


FIG. 3

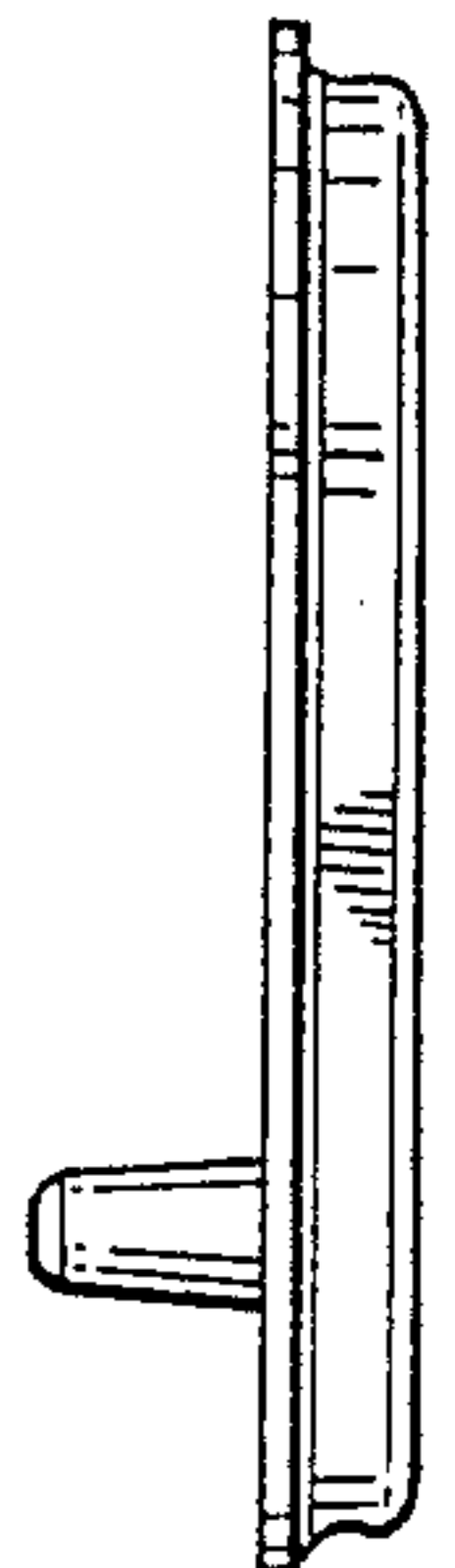


FIG. 5

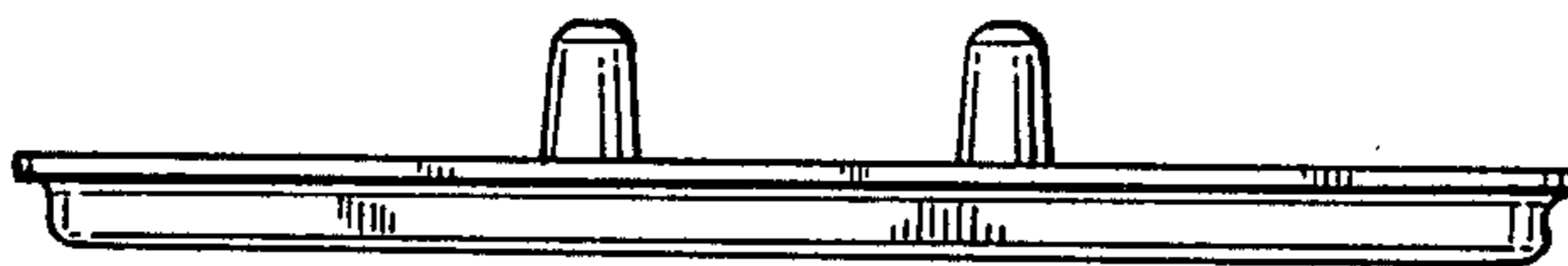


FIG. 6



FIG. 7