

# United States Patent [19]

LaBossiere

[11] Patent Number: **Des. 311,226**

[45] Date of Patent: **\*\* Oct. 9, 1990**

[54] **TOY SHED**

[76] Inventor: **Donald G. J. LaBossiere, P.O. Box 123, Treherne, Manitoba, Canada, R0G 2V0**

[\*\*] Term: **14 Years**

[21] Appl. No.: **243,494**

[22] Filed: **Sep. 12, 1988**

[30] **Foreign Application Priority Data**

Apr. 25, 1988 [CA] Canada ..... 25-04-88-6  
[52] U.S. Cl. .... **D21/114**  
[58] Field of Search ..... D21/59, 109, 114-119, D21/253; D25/20, 22, 16; 446/476-479

[56] **References Cited**

**U.S. PATENT DOCUMENTS**

D. 184,368 2/1959 Nunemaker ..... D25/20

D. 267,904 2/1983 Hampel et al. .... D25/22  
D. 268,702 4/1983 Todd ..... D25/22  
D. 302,309 7/1989 Fudge et al. .... D25/16  
D. 305,690 1/1990 Paul et al. .... D25/22

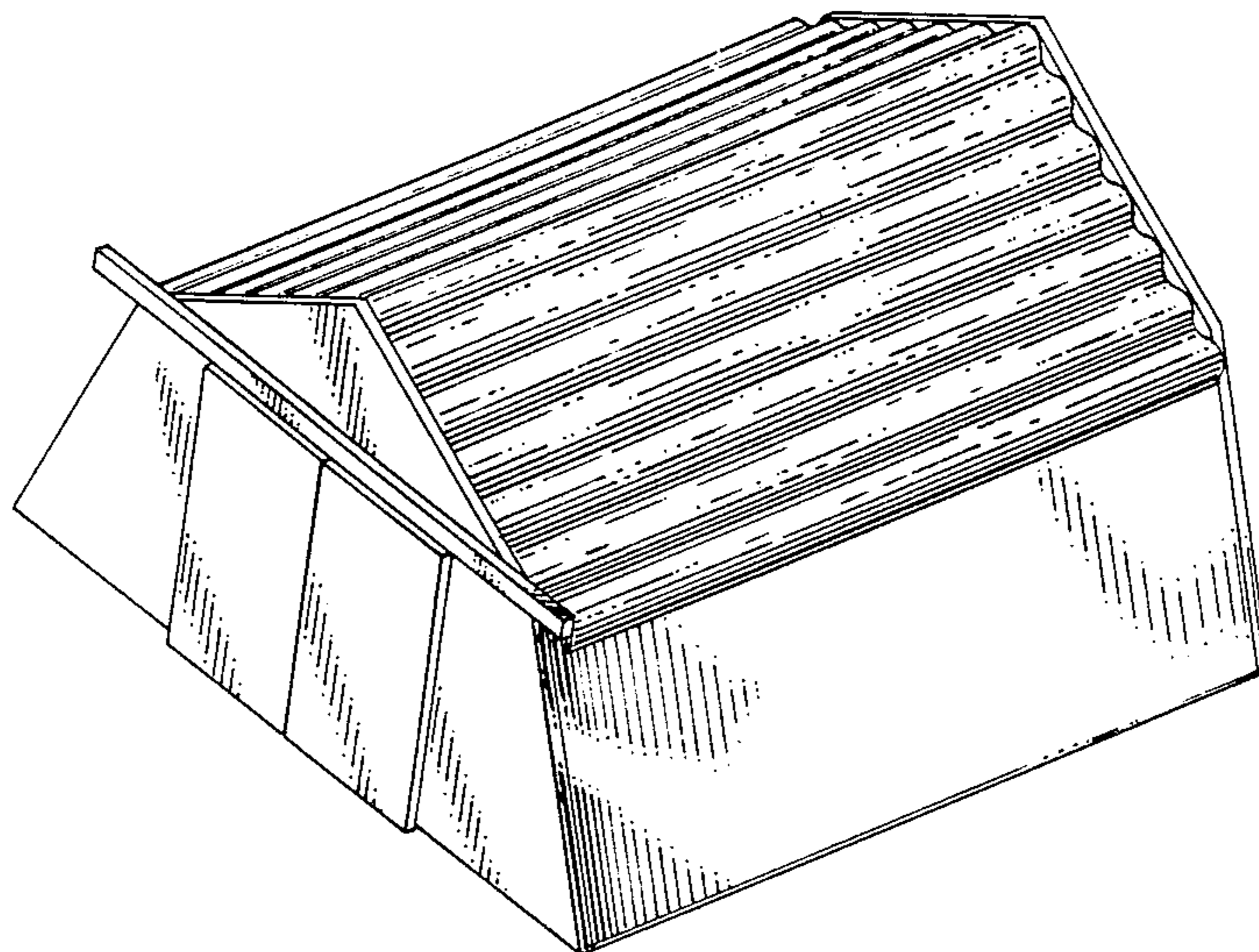
*Primary Examiner*—Charles A. Rademaker  
*Attorney, Agent, or Firm*—Murray E. Thrift; Adrian D. Battison; Stanley G. Ade

[57] **CLAIM**

The ornamental design for a toy shed, as shown and described.

**DESCRIPTION**

FIG. 1 is a top perspective view of a toy shed showing my new design;  
FIG. 2 is a rear elevational view thereof, shown on a reduced scale;  
FIG. 3 is a left elevational view thereof; and,  
FIG. 4 is a top plan view thereof.  
The unshown bottom of the design is substantially flat, plain and unornamented.



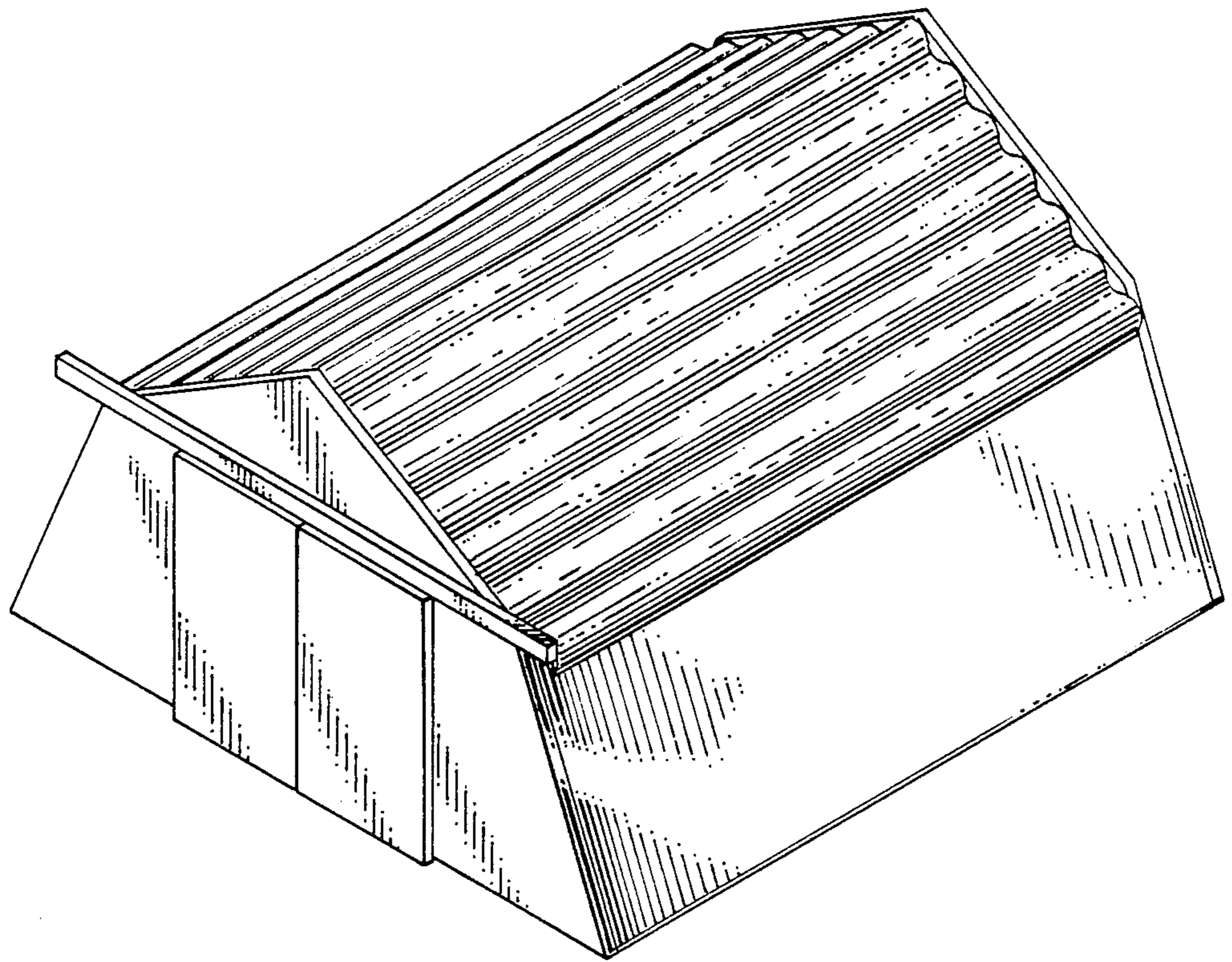


FIG. 1

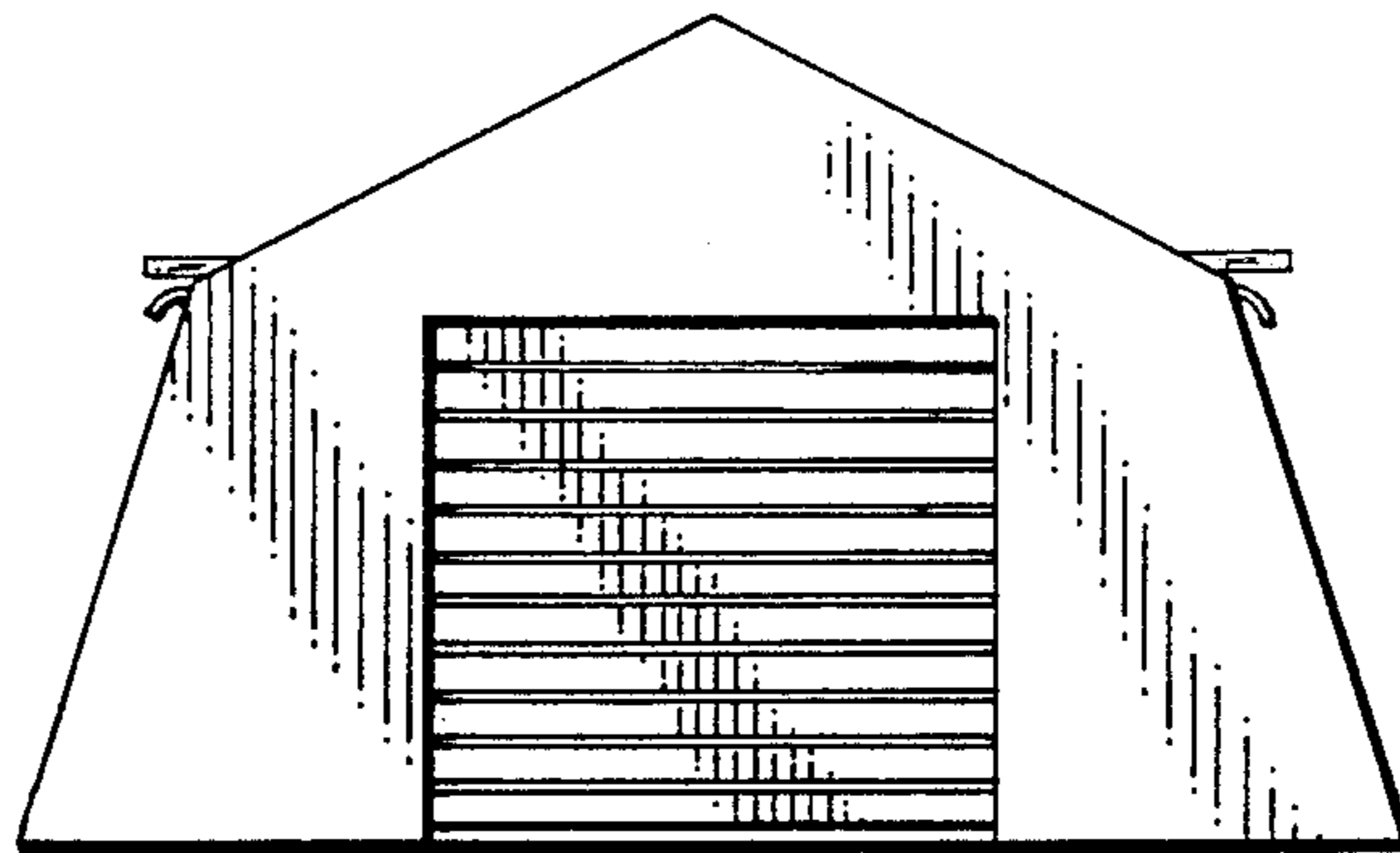


FIG. 2

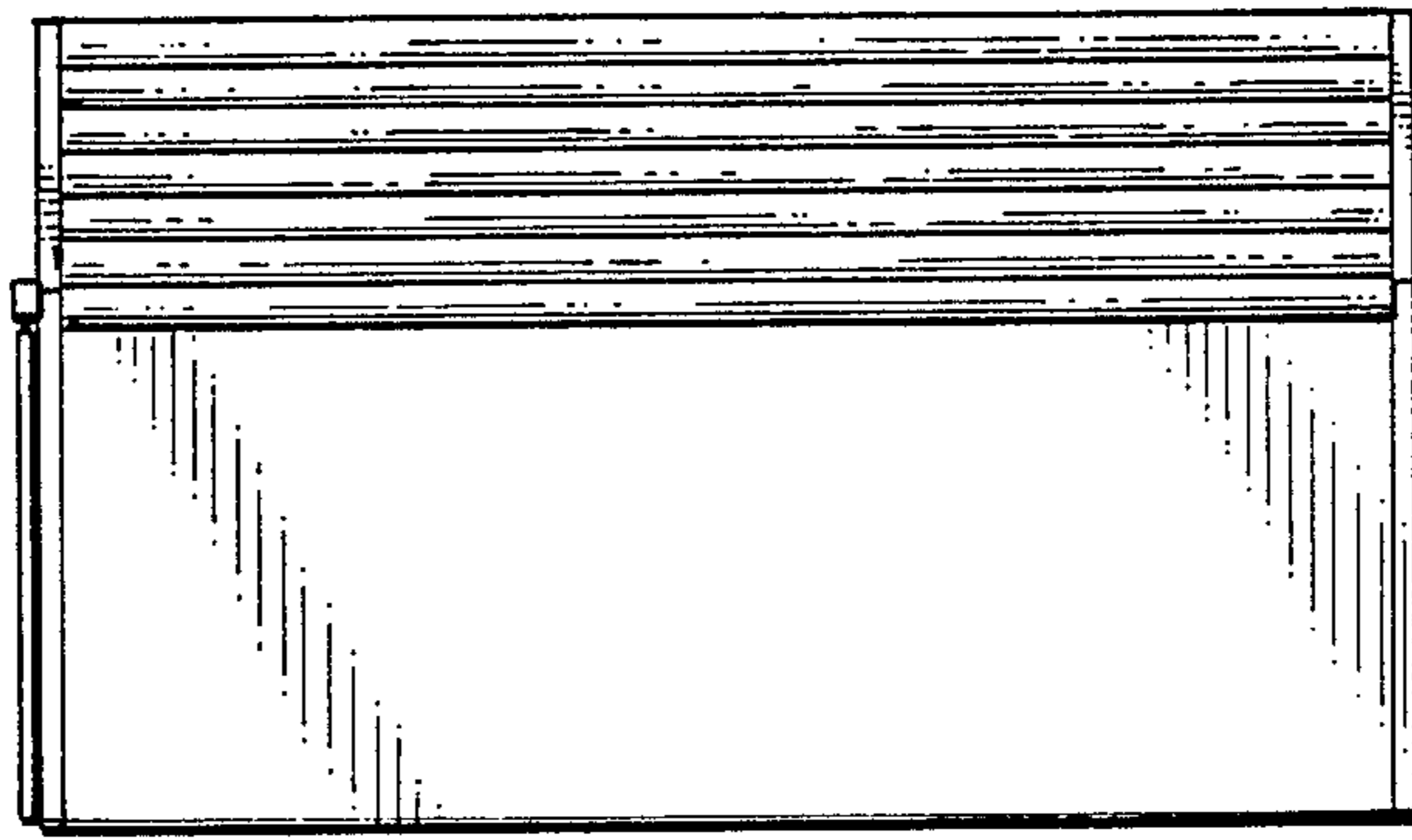


FIG. 3

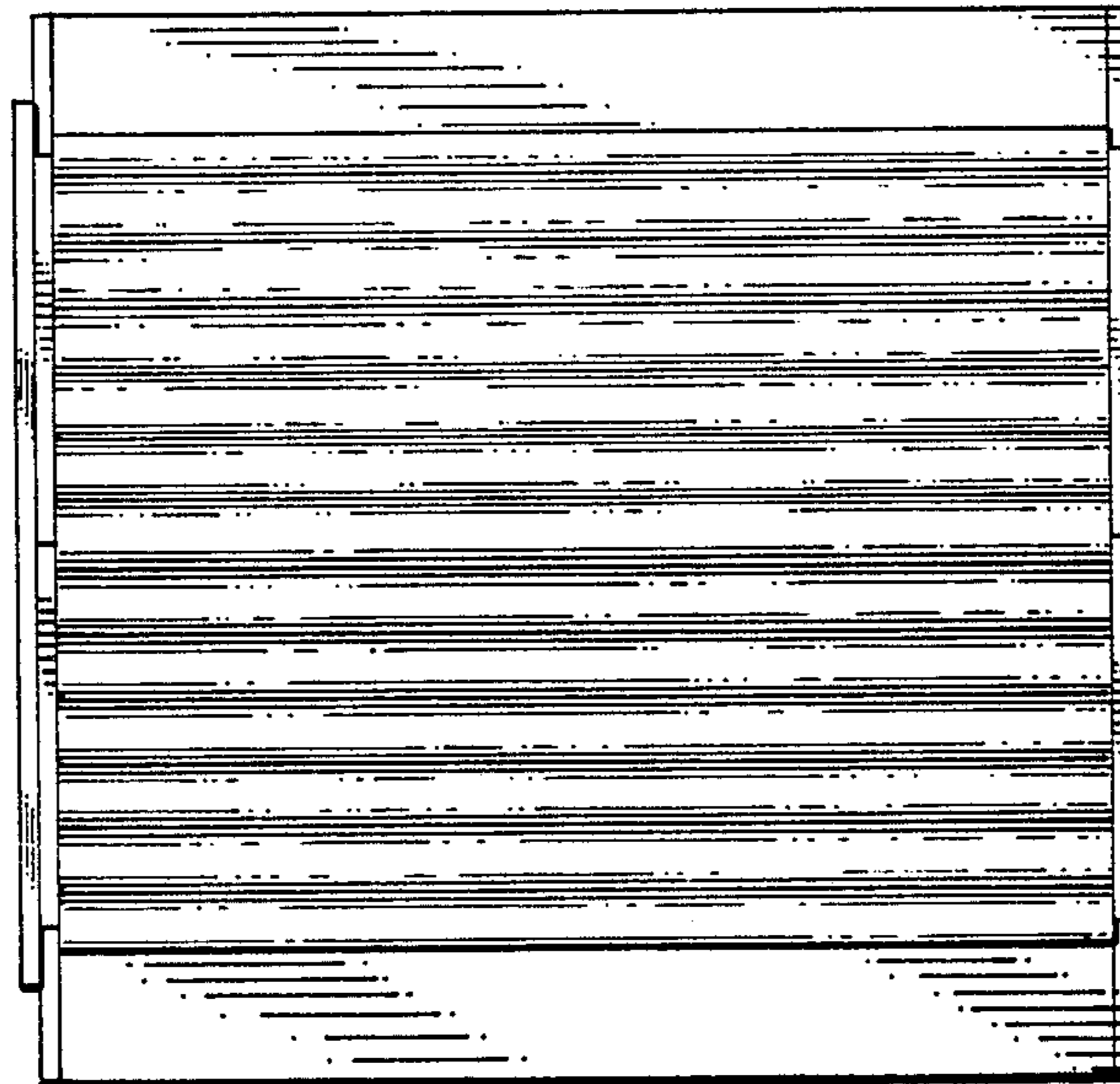


FIG. 4