

[54] TOY KITE

[75] Inventor: John J. Kovats, Fernandina Beach, Fla.

[73] Assignee: Space Adventures, Incorporated, Jacksonville, Fla.

[\*\*] Term: 14 Years

[21] Appl. No.: 289,785

[22] Filed: Dec. 27, 1988

[52] U.S. Cl. .... D21/89; D21/90

[58] Field of Search ..... D21/82, 84, 85, 86, D21/87-91; 446/34, 61-69

[56] References Cited

U.S. PATENT DOCUMENTS

D. 223,770	6/1972	Goodman	.....	D21/89
D. 278,727	5/1985	Ninomiya	.....	D21/89
1,281,563	10/1918	Harb	.....	D21/85
2,664,666	1/1954	Walker	.....	446/61

2,976,644 3/1961 Crisci ..... 446/65

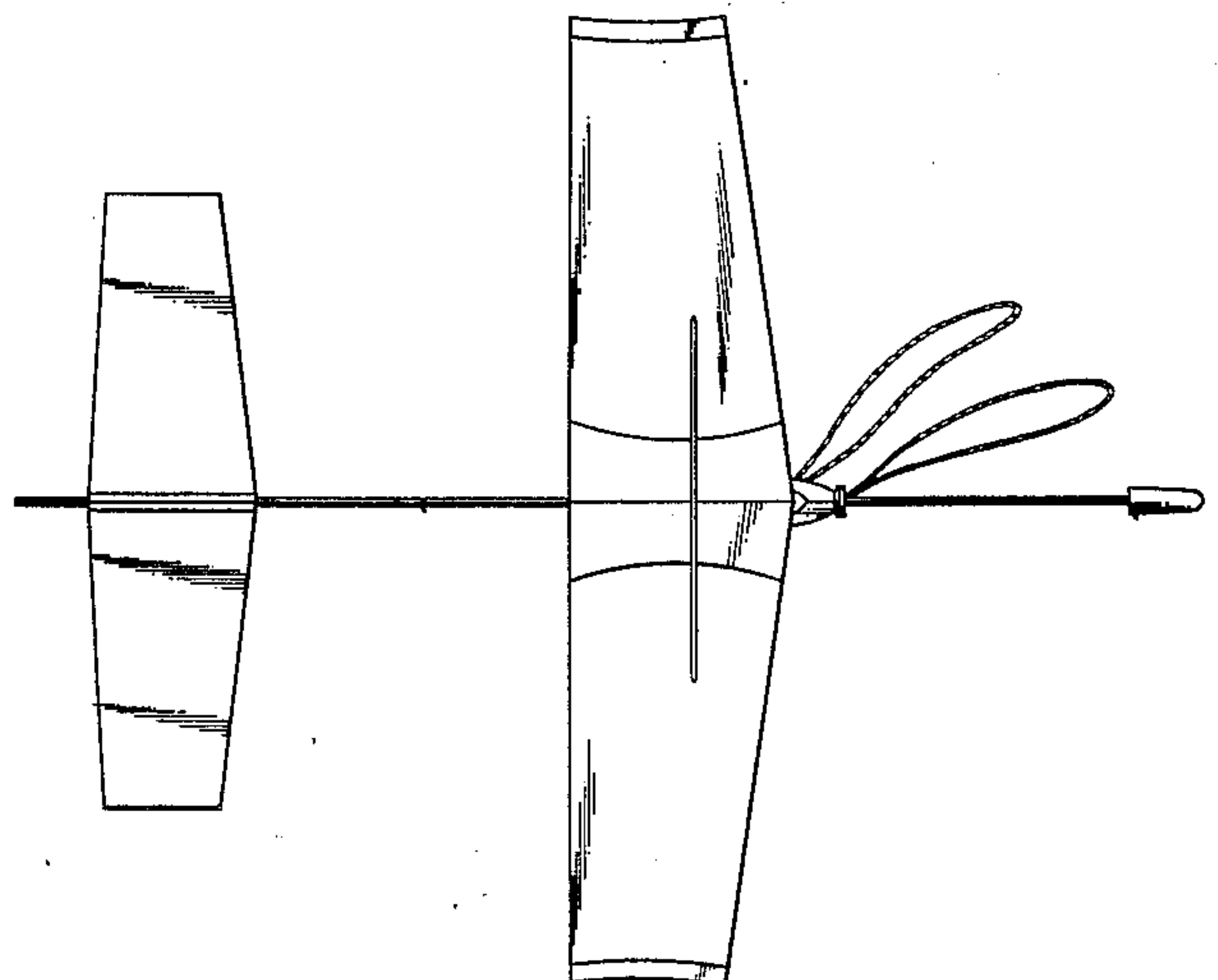
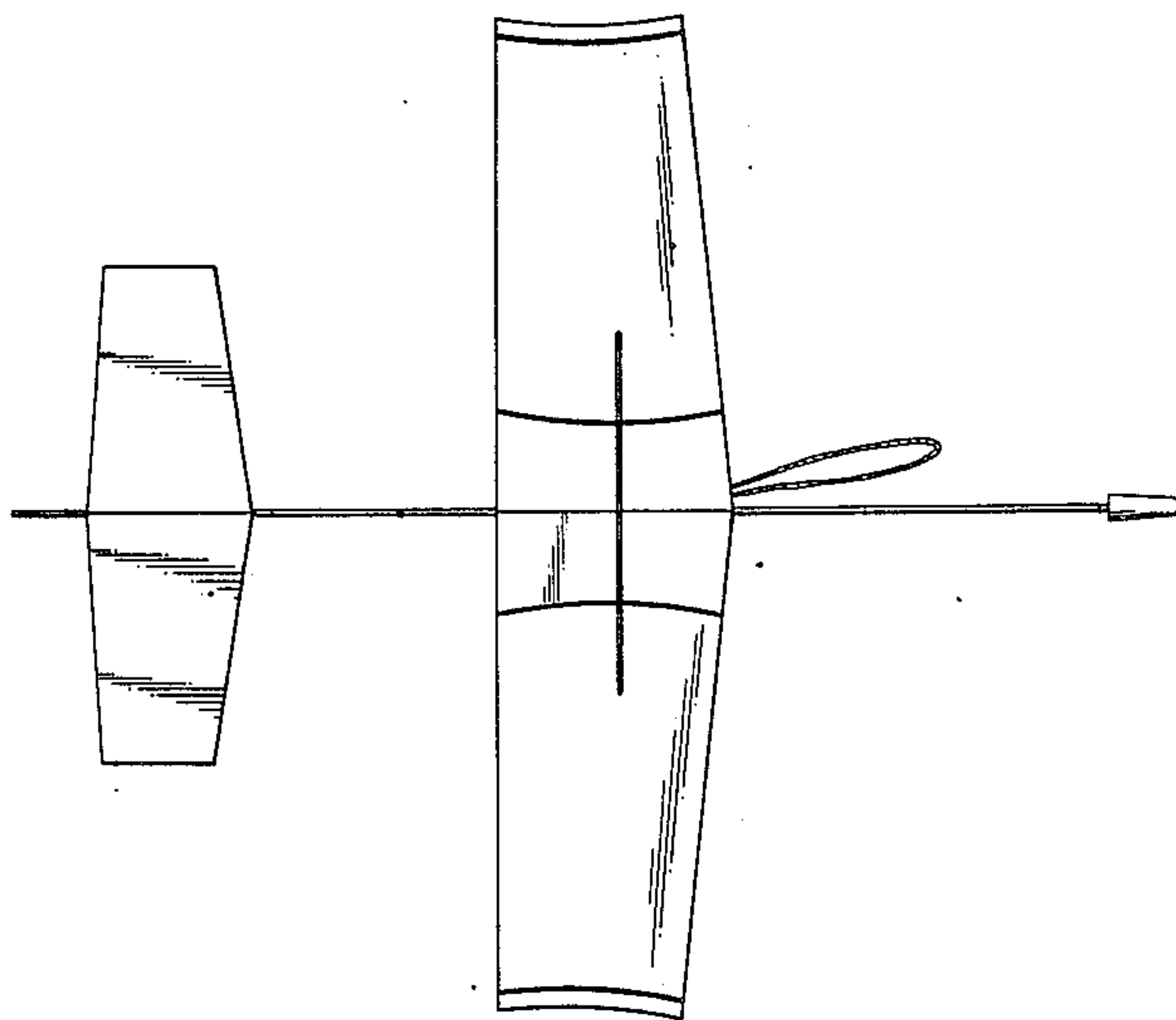
Primary Examiner—Charles A. Rademaker  
Attorney, Agent, or Firm—Arthur G. Yeager

[57] CLAIM

The ornamental design for a toy kite, as shown and described.

DESCRIPTION

FIG. 1 is a side elevational view of a toy glider showing my new design;  
 FIG. 2 is a top plan view thereof;  
 FIG. 3 is a front elevational view thereof;  
 FIG. 4 is a bottom plan view thereof;  
 FIG. 5 is a rear elevational view thereof;  
 FIG. 6 is a side elevational view of a modified embodiment of the design shown in FIGS. 1 through 5;  
 FIG. 7 is a top plan view thereof;  
 FIG. 8 is a front elevational view thereof;  
 FIG. 9 is a bottom view thereof; and  
 FIG. 10 is a rear elevational view thereof.



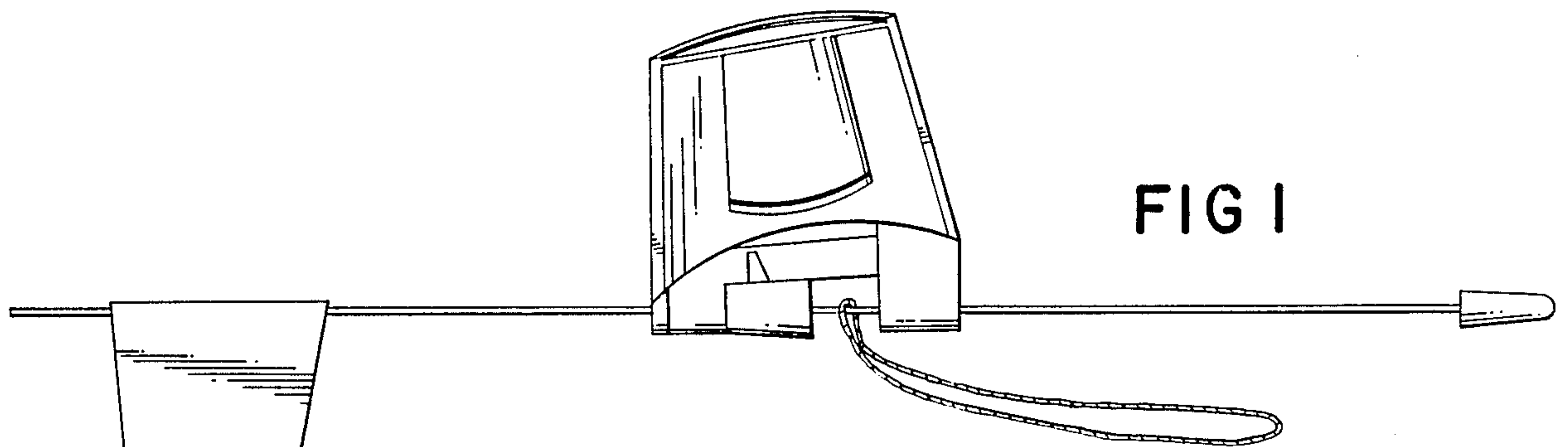


FIG 1

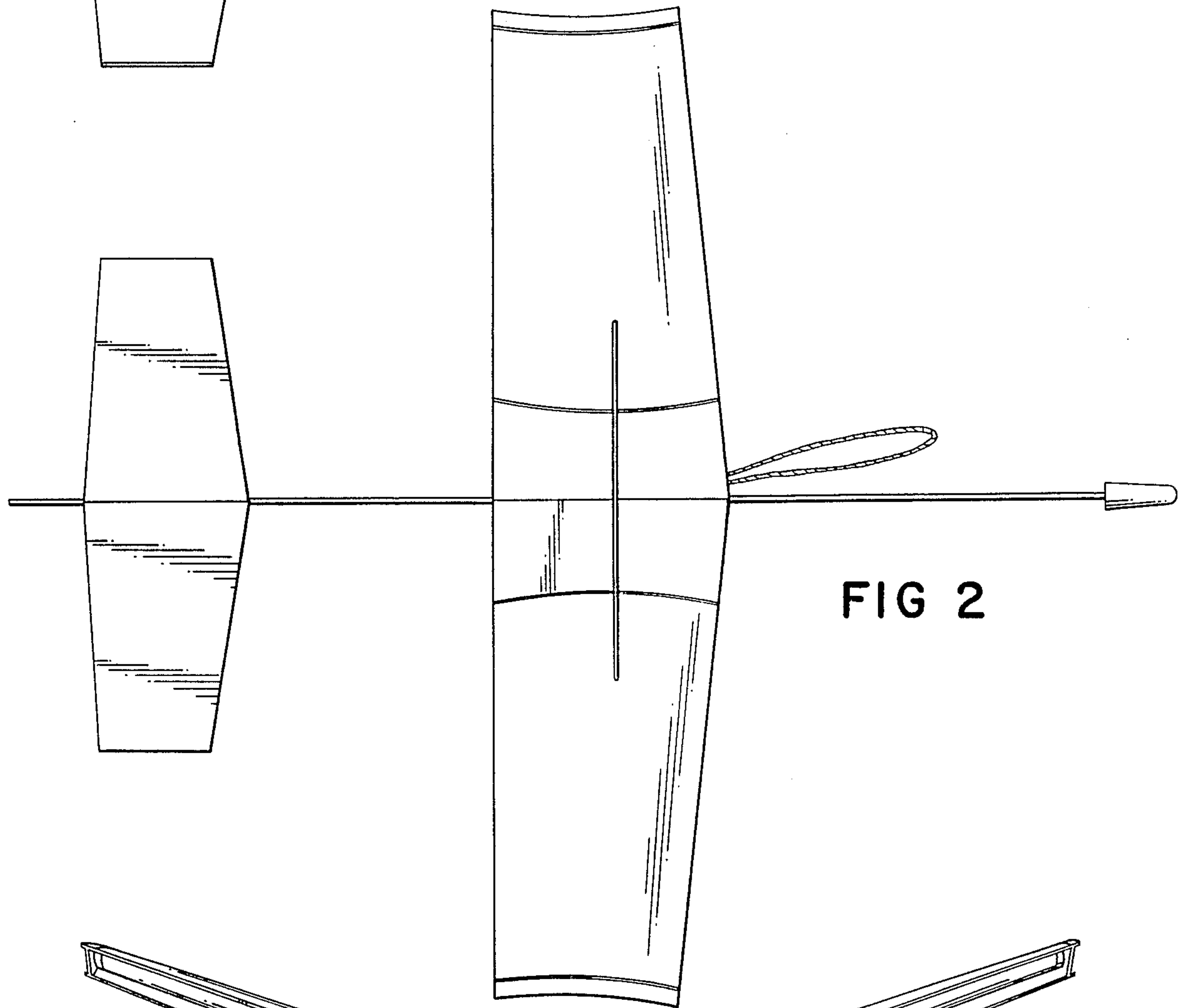


FIG 2

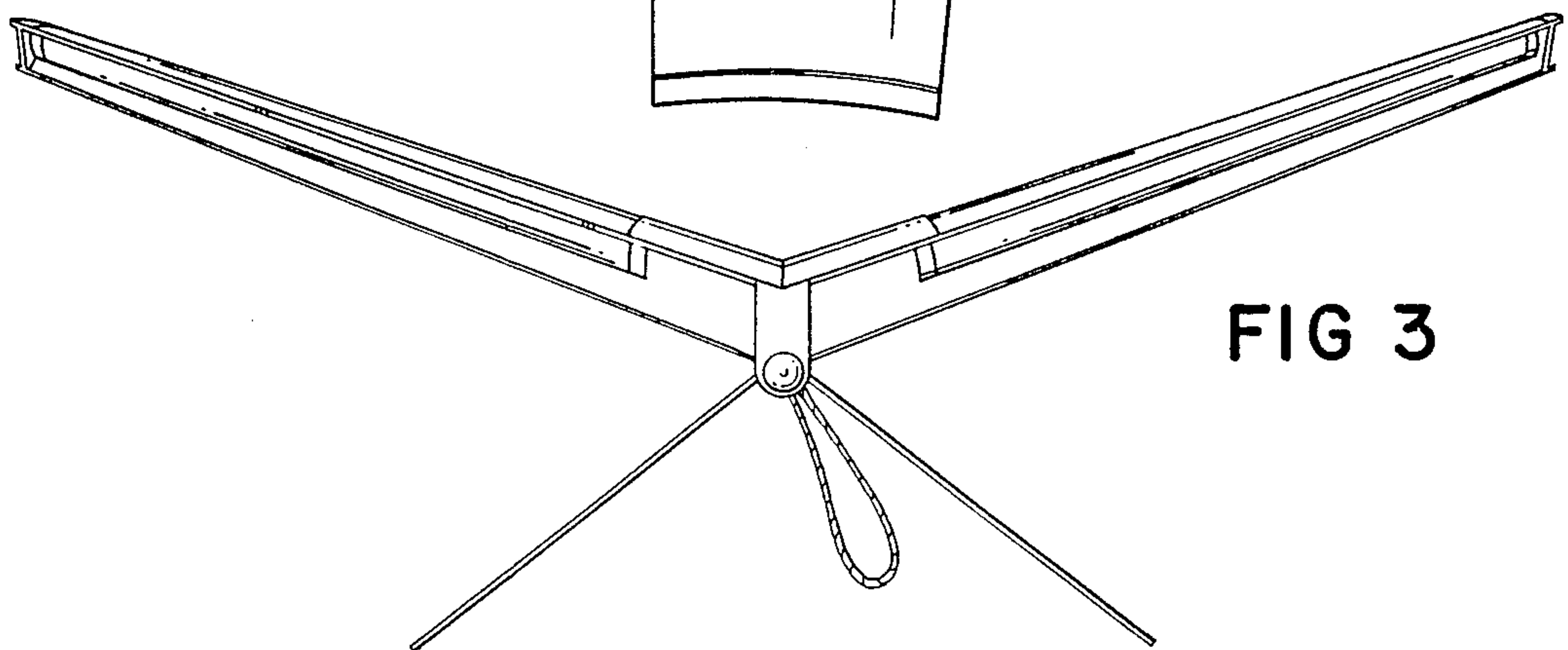
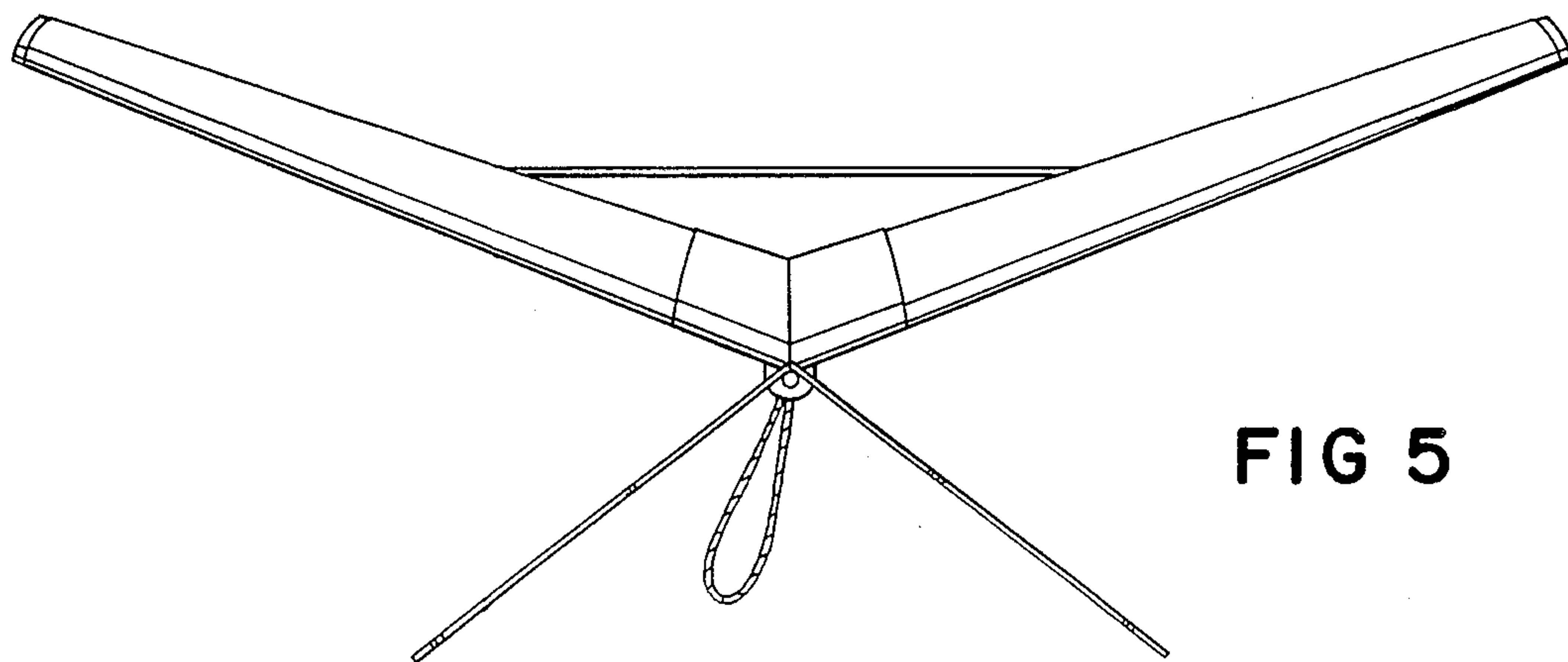
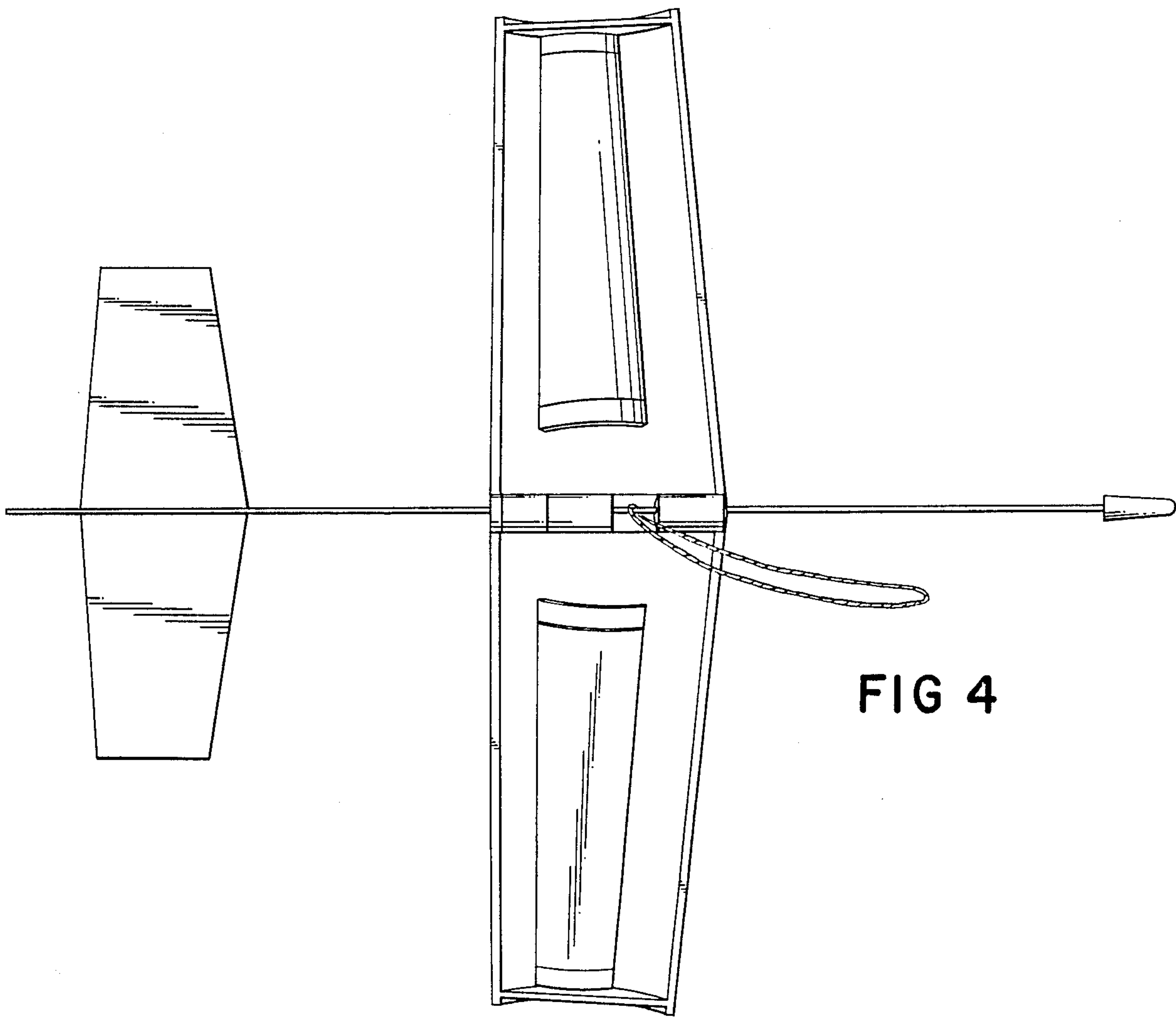


FIG 3



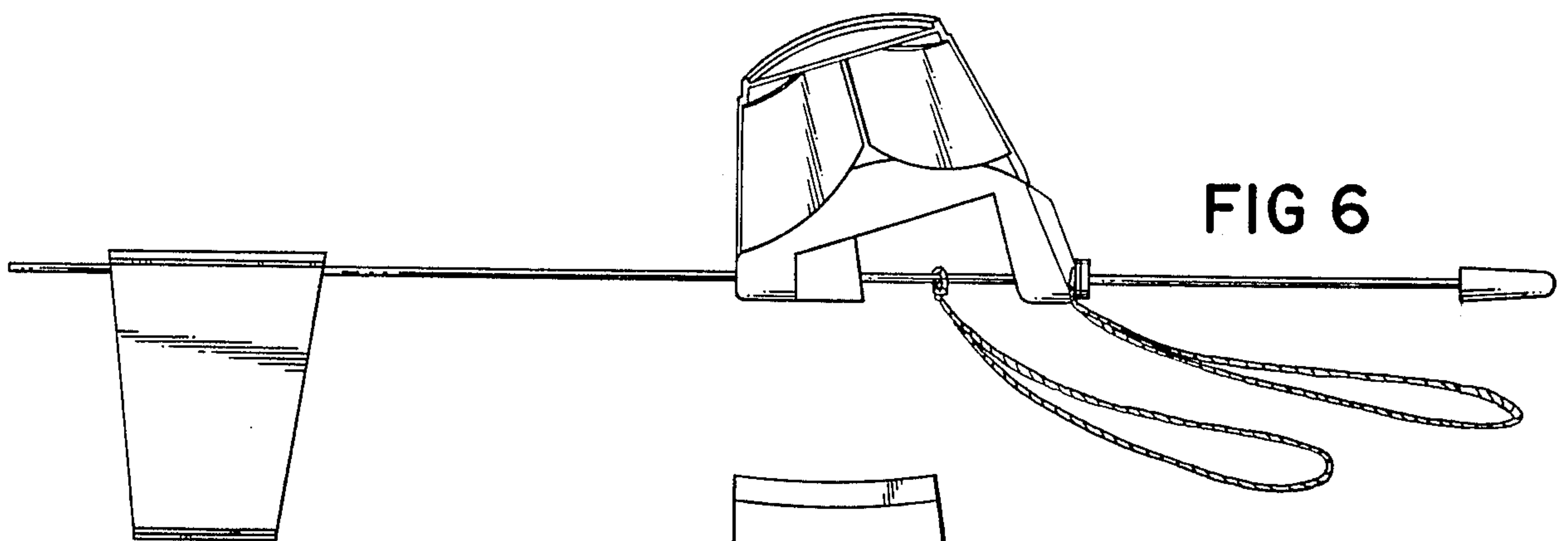


FIG 6

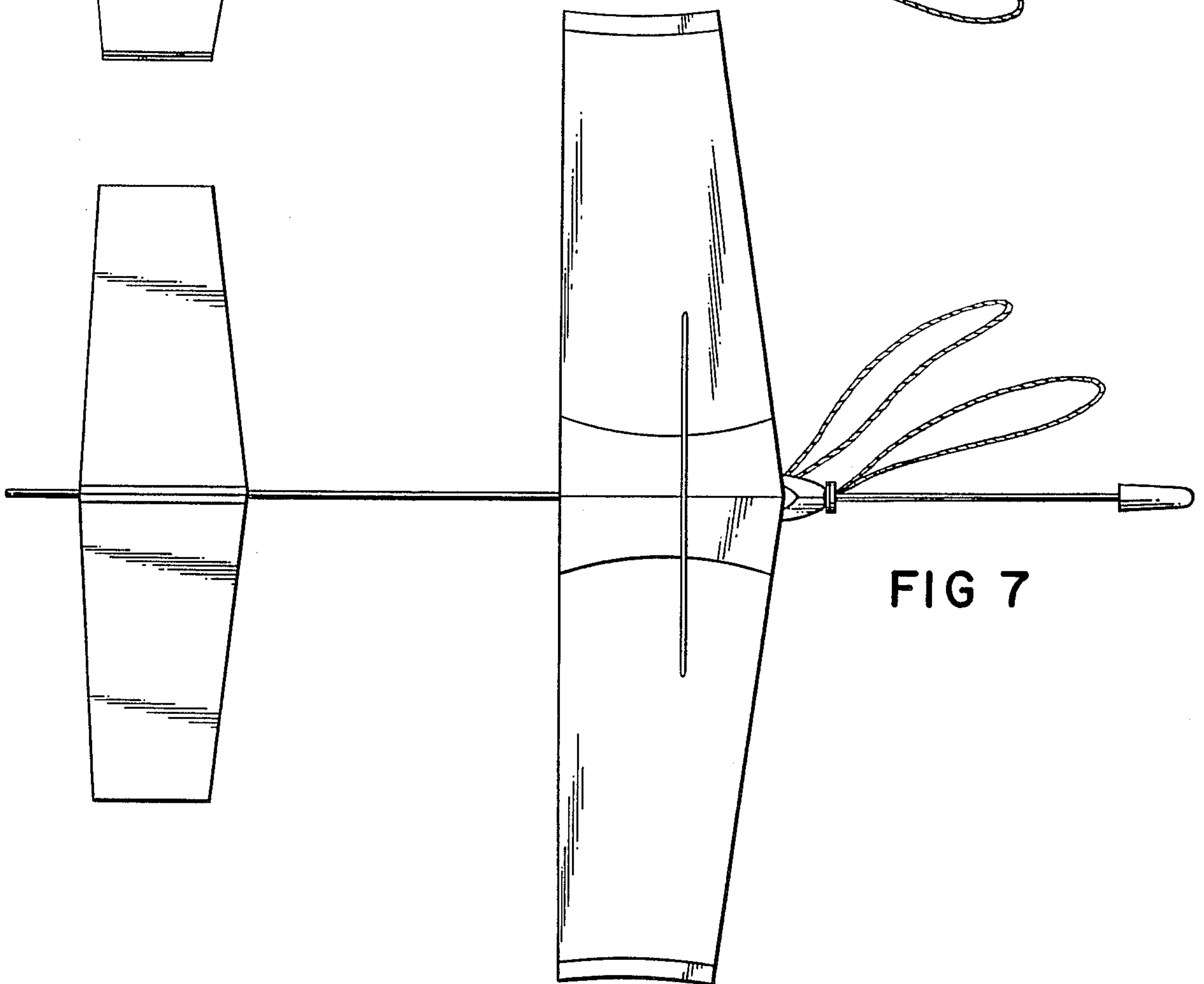


FIG 7

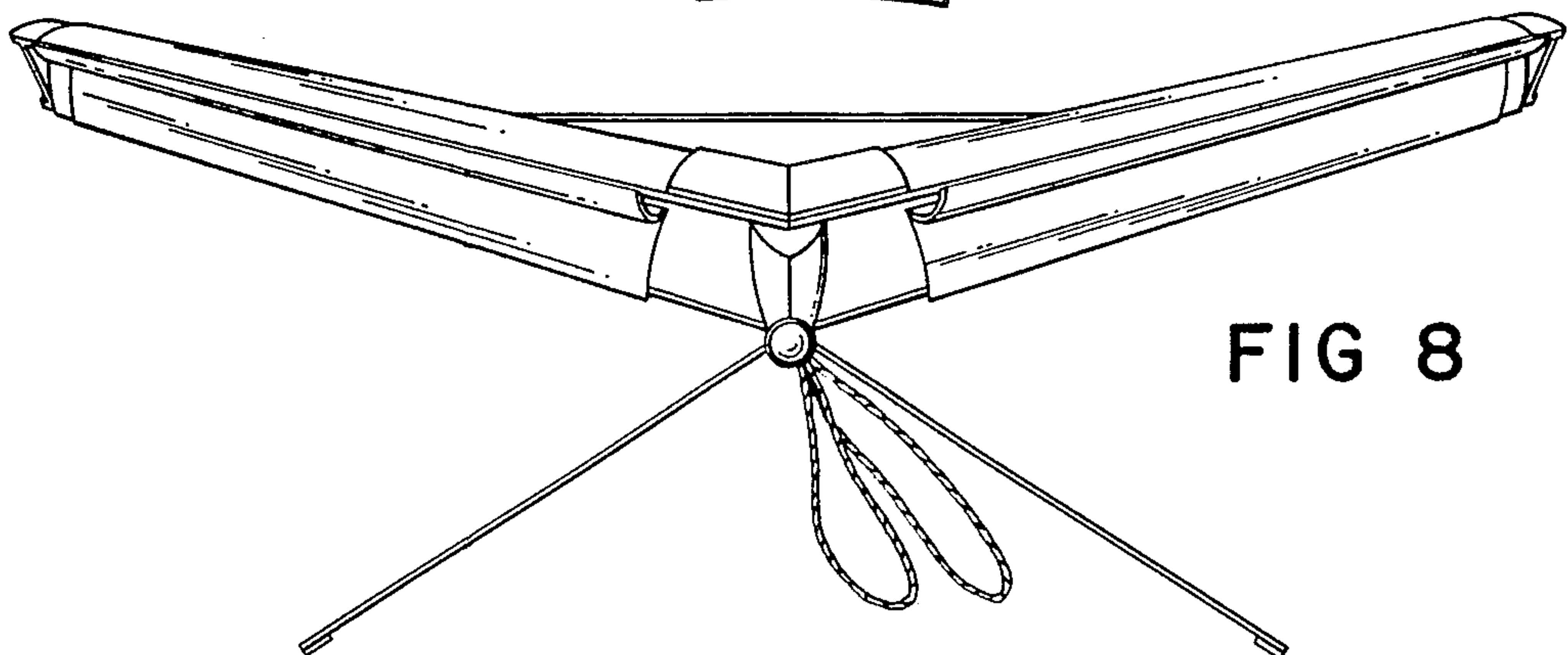


FIG 8

