

[54] **TOY KITE**
 [75] **Inventor: John J. Kovats, Fernandina Beach, Fla.**
 [73] **Assignee: Space Adventures, Incorporated, Jacksonville, Fla.**
 [**] **Term: 14 Years**
 [21] **Appl. No.: 289,783**
 [22] **Filed: Dec. 27, 1988**
 [52] **U.S. Cl. D21/89**
 [58] **Field of Search D21/82, 83, 84, 85, D21/86-90; 446/61-68, 34, 36**

4,375,138 3/1983 Chotia 446/64

Primary Examiner—Charles A. Rademaker
Attorney, Agent, or Firm—Arthur G. Yeager

[57] **CLAIM**

The ornamental design for a toy kite, as shown and described.

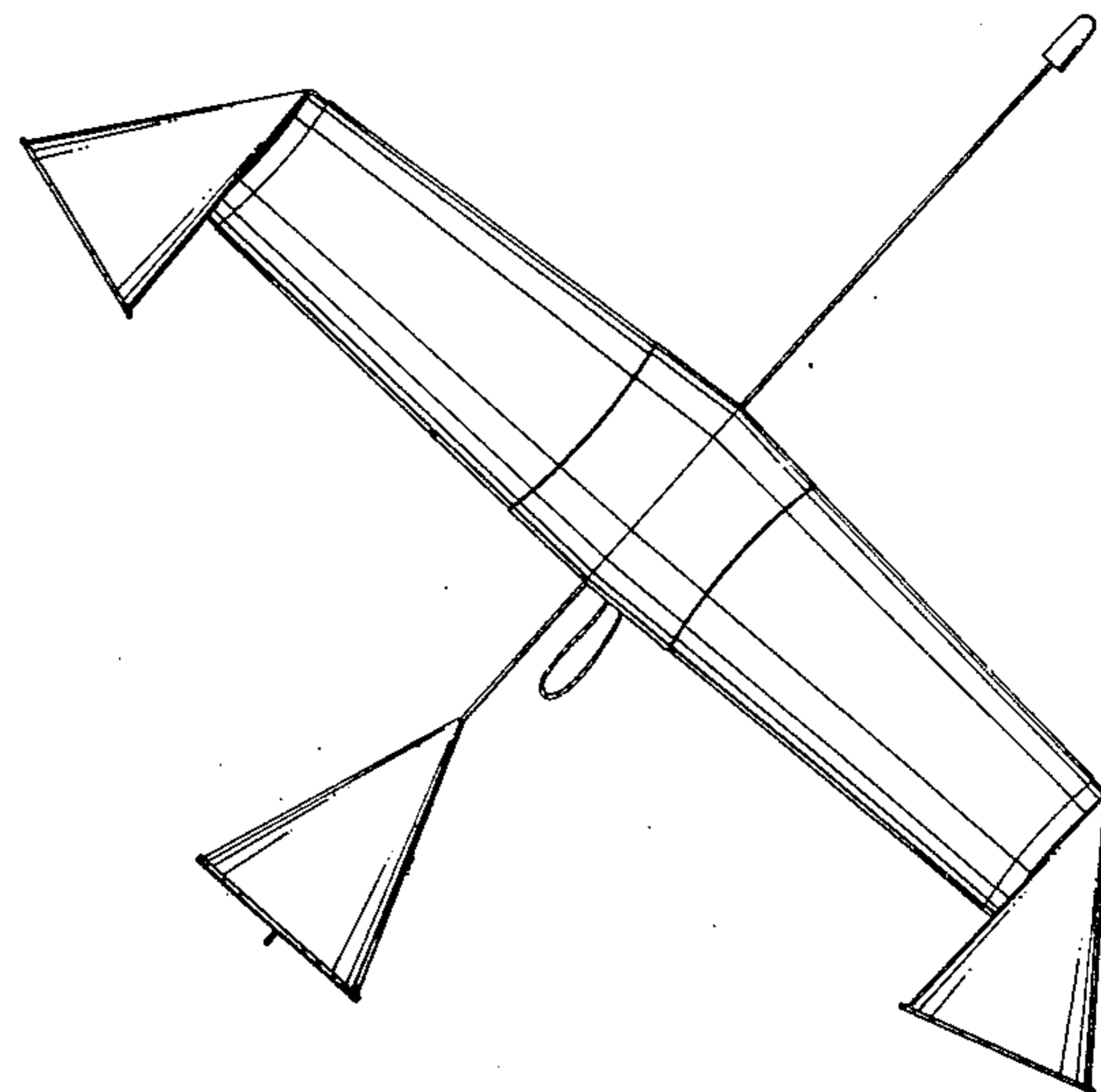
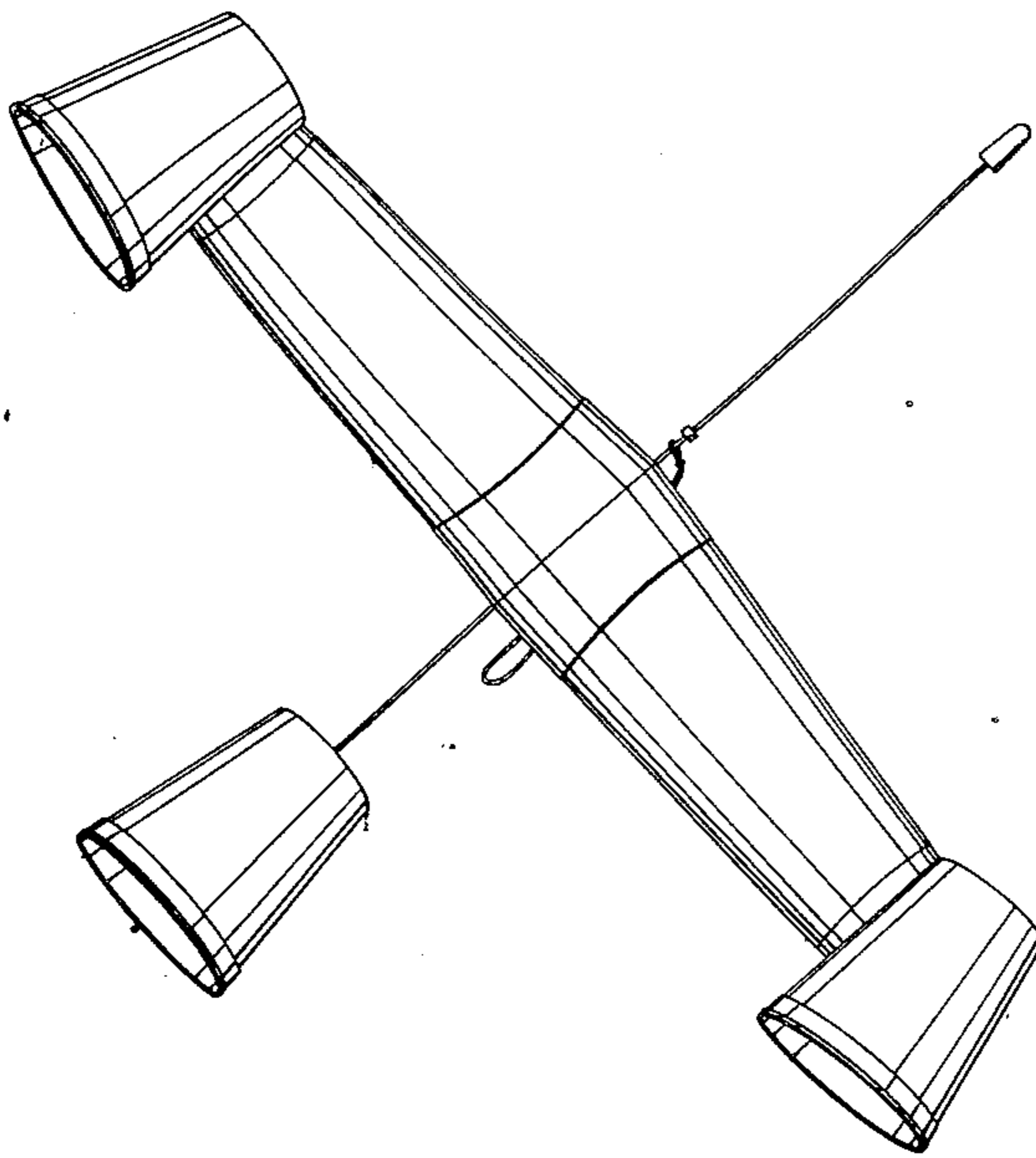
DESCRIPTION

FIG. 1 is a top plan view of a toy kite showing my new design;
 FIG. 2 is a side elevational view thereof;
 FIG. 3 is a front elevational view thereof;
 FIG. 4 is a rear elevational view thereof;
 FIG. 5 is a bottom plan view thereof;
 FIG. 6 is a top plan view of a modified embodiment of the design shown in FIGS. 1 through 6;
 FIG. 7 is a side elevational view thereof;
 FIG. 8 is a front elevational view thereof;
 FIG. 9 is a rear elevational view thereof; and
 FIG. 10 is a bottom plan view thereof.

[56] **References Cited**

U.S. PATENT DOCUMENTS

| | | | | |
|------------|---------|---------|-------|--------|
| D. 152,610 | 2/1949 | Green | | D21/89 |
| 2,298,425 | 10/1942 | Shaffer | | 446/61 |
| 2,664,666 | 1/1954 | Walker | | 446/61 |
| 2,976,644 | 3/1961 | Crisci | | 446/65 |



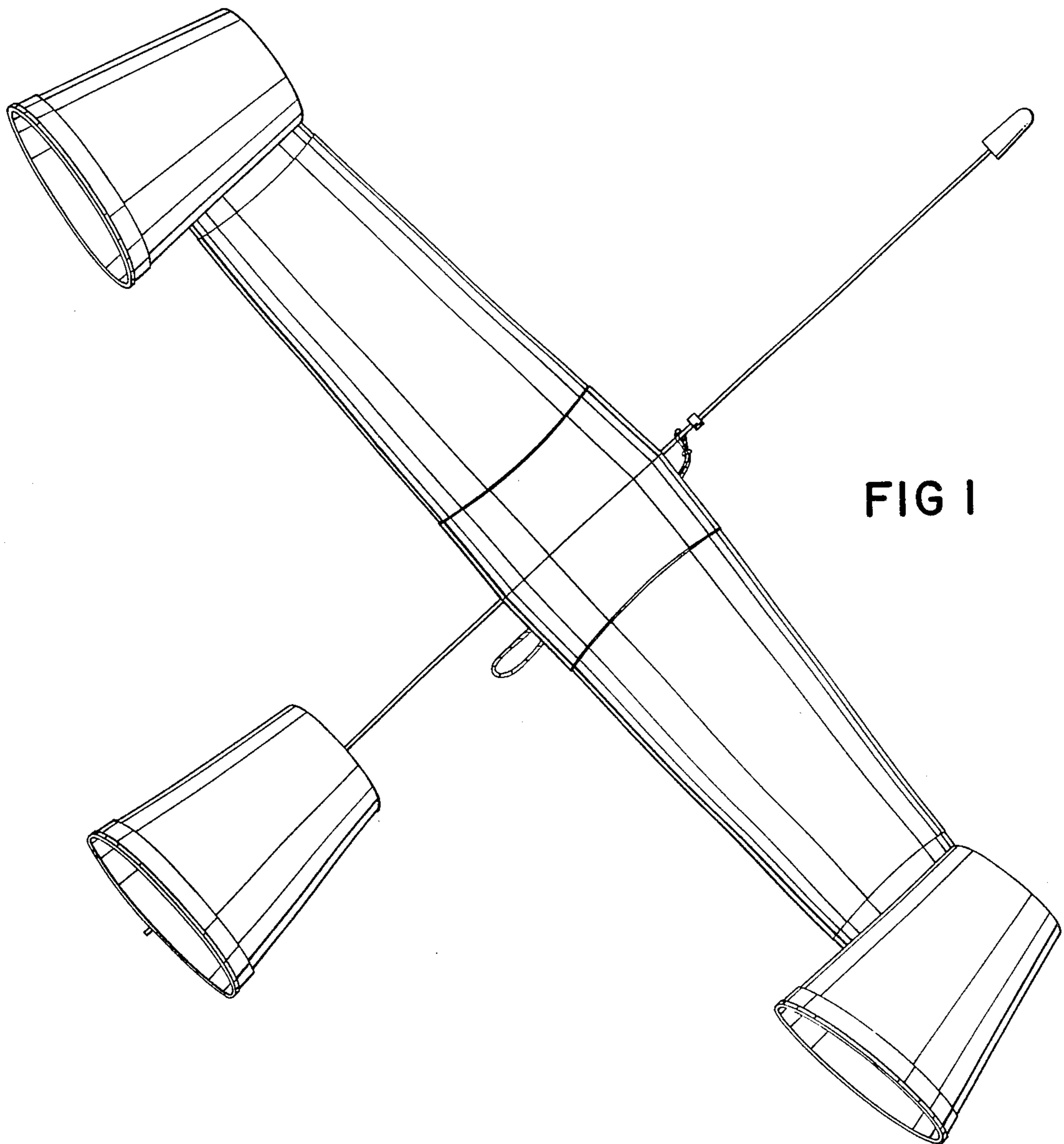


FIG 1

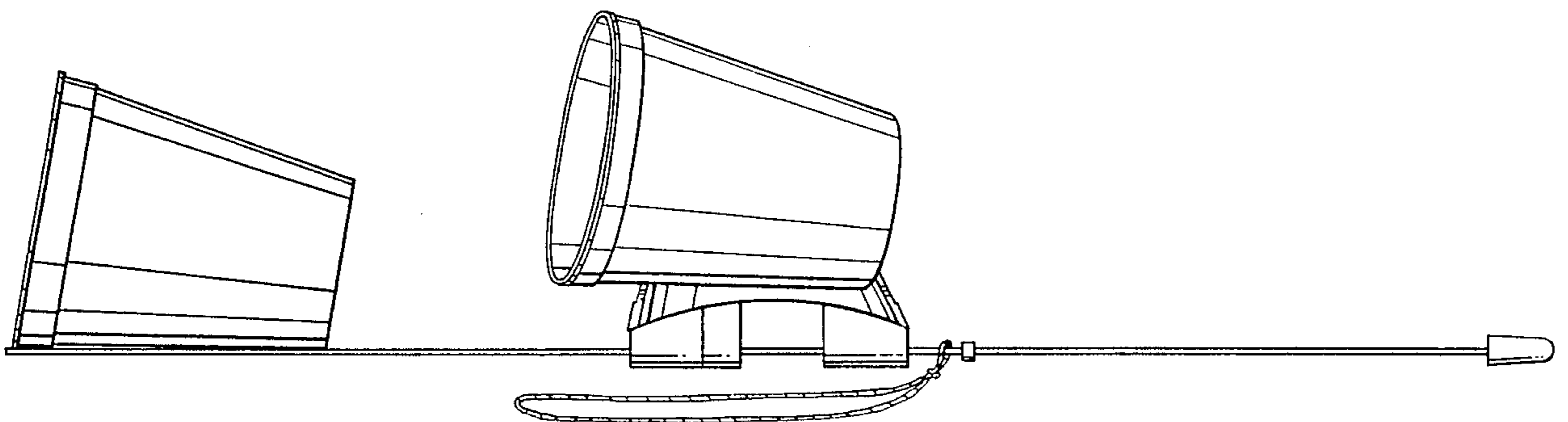


FIG 2

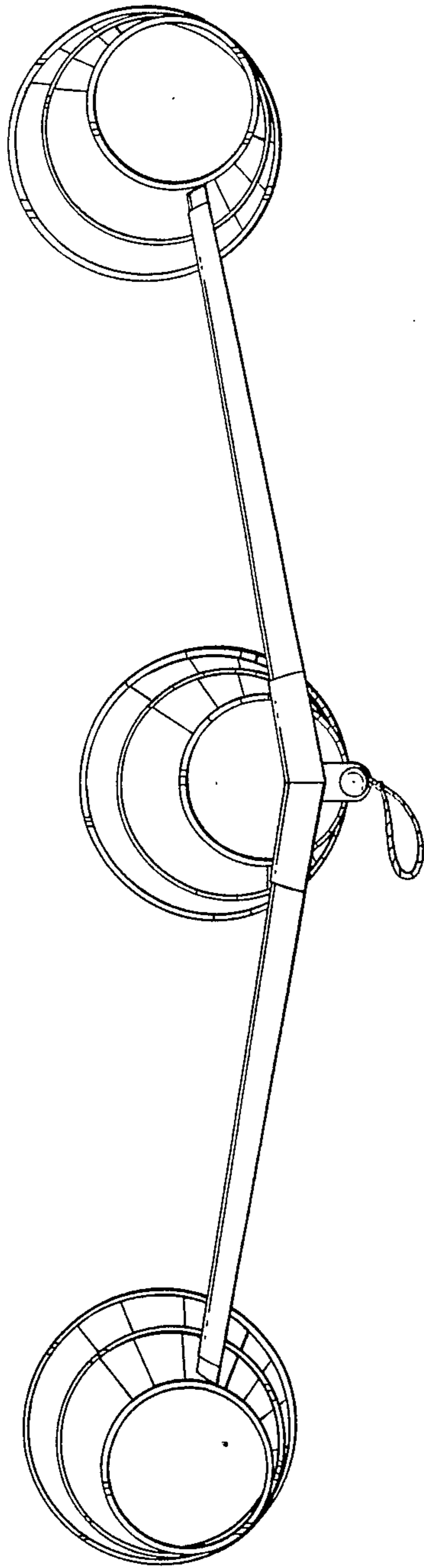


FIG 3

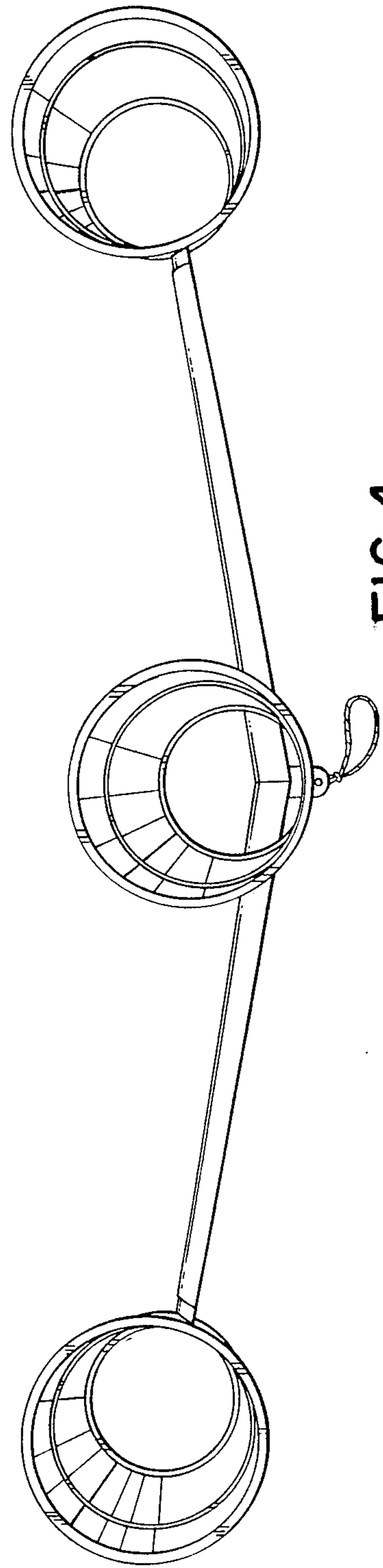


FIG 4

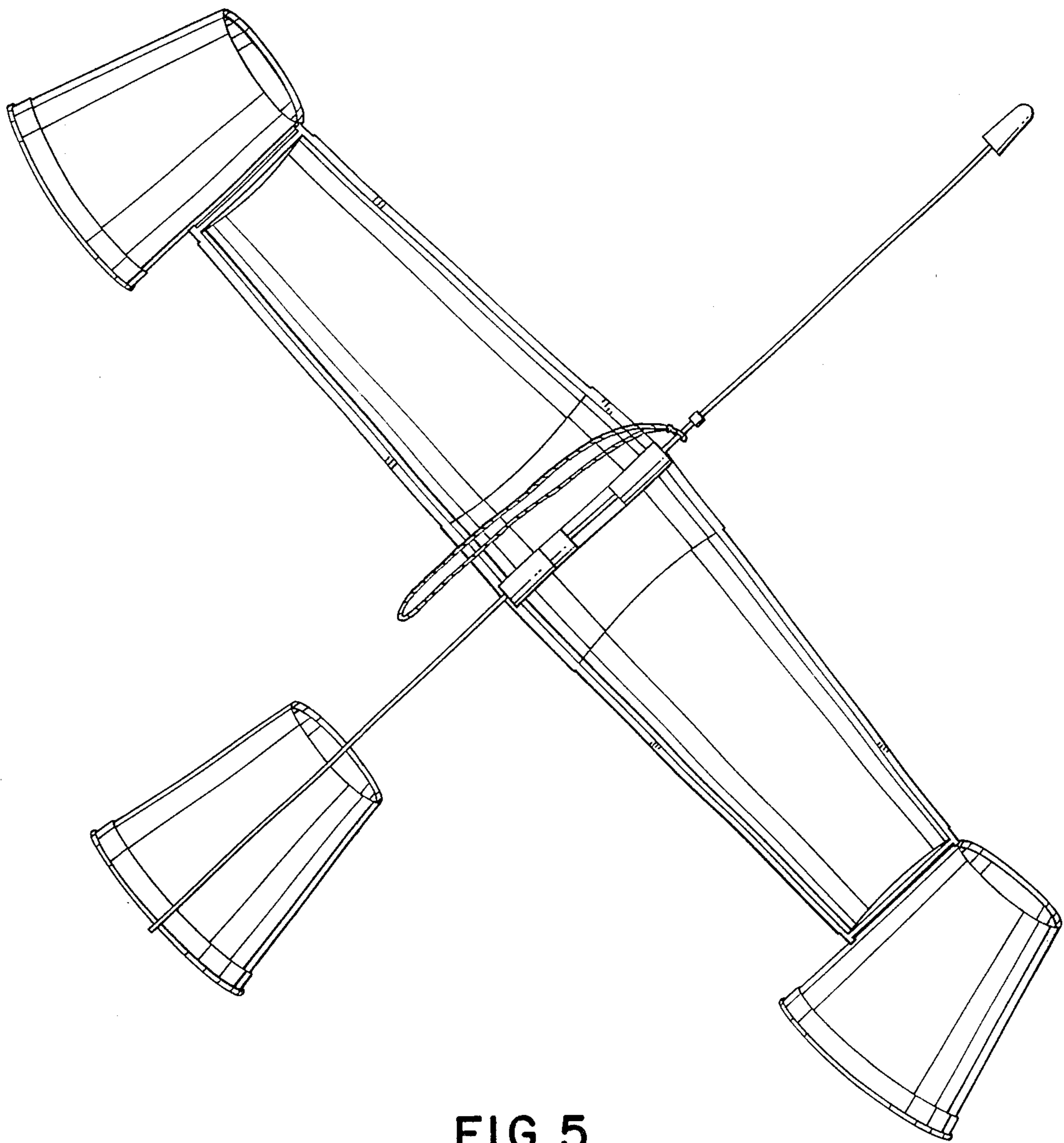


FIG 5

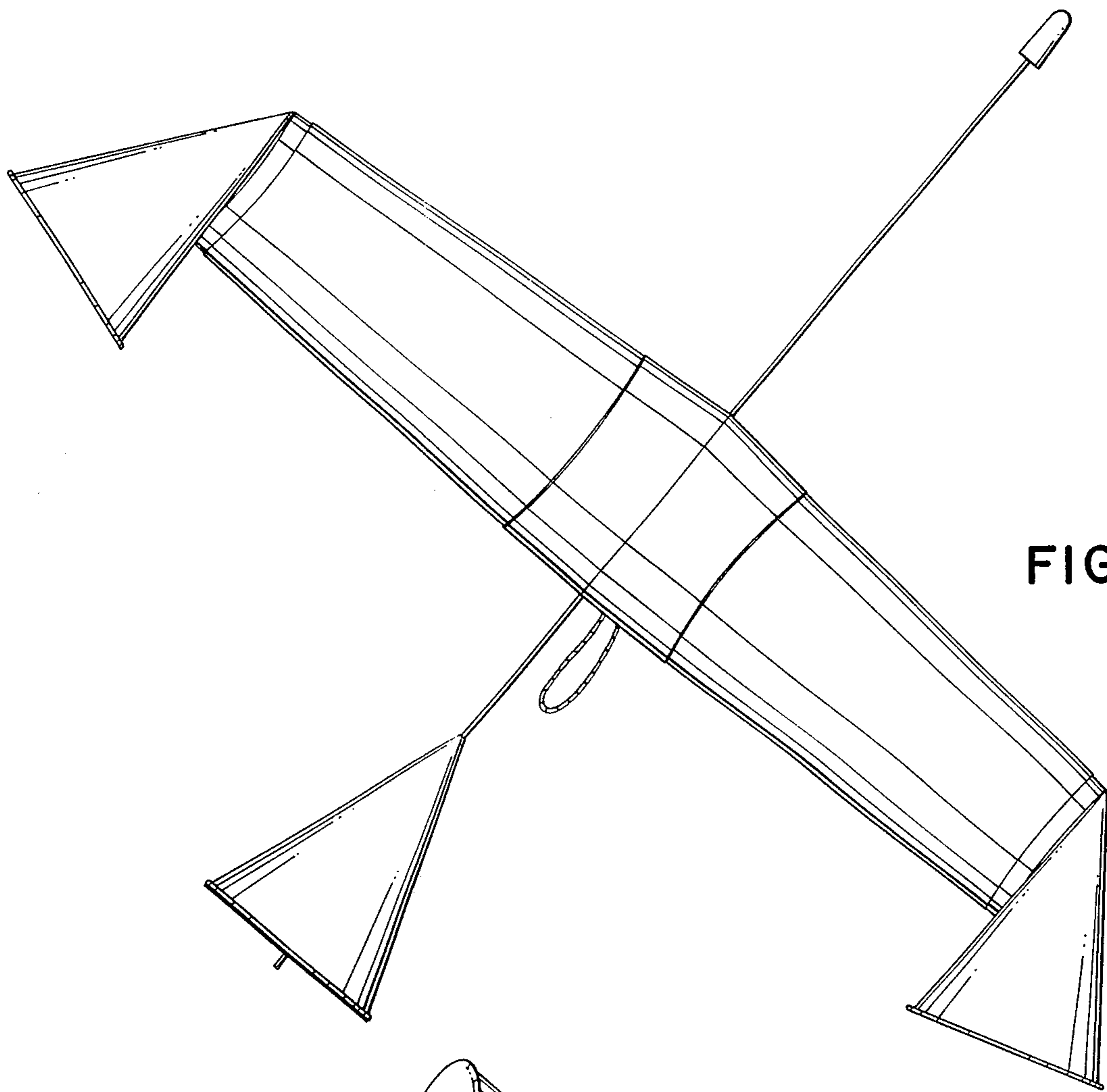


FIG 6

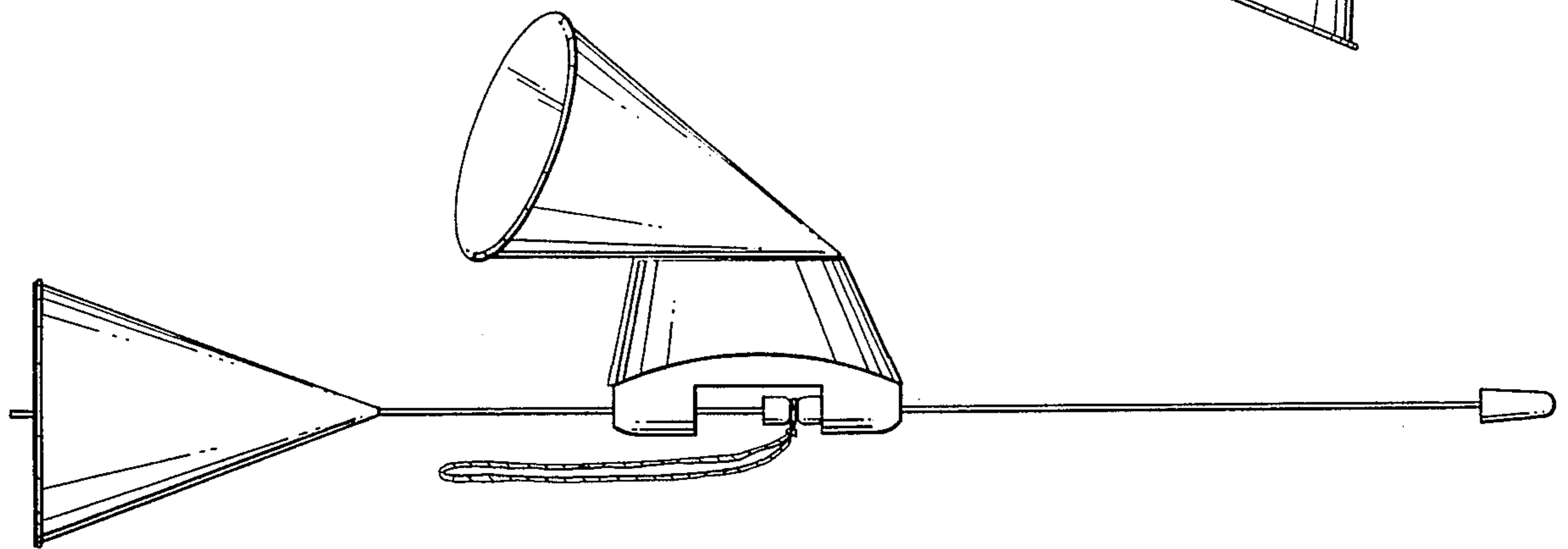
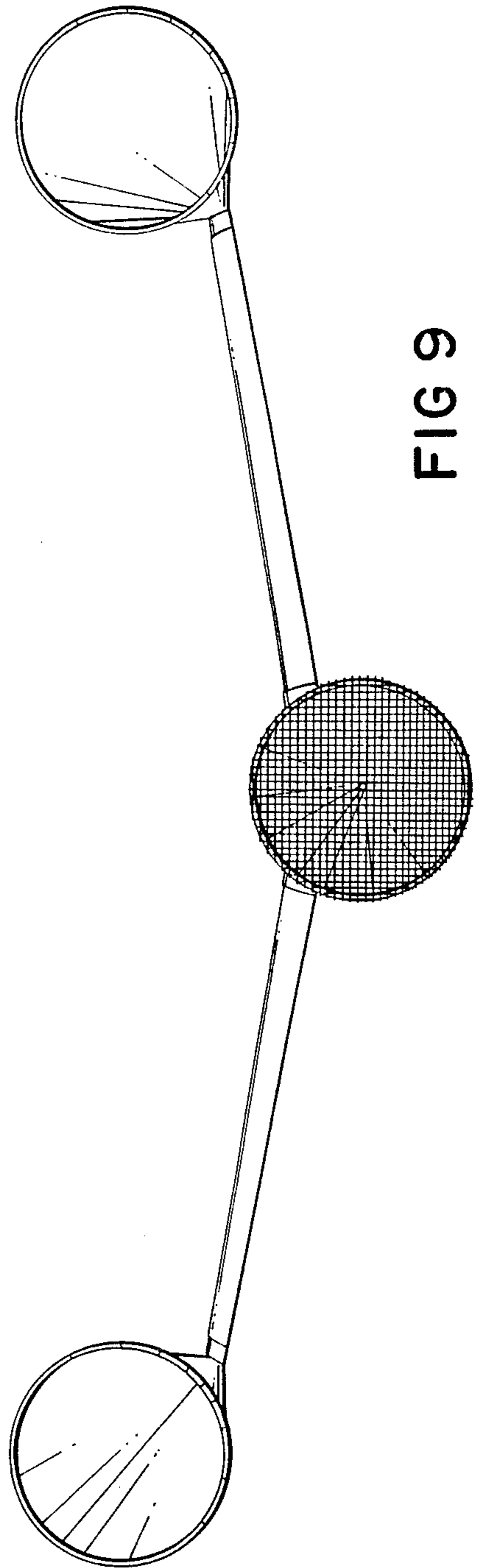
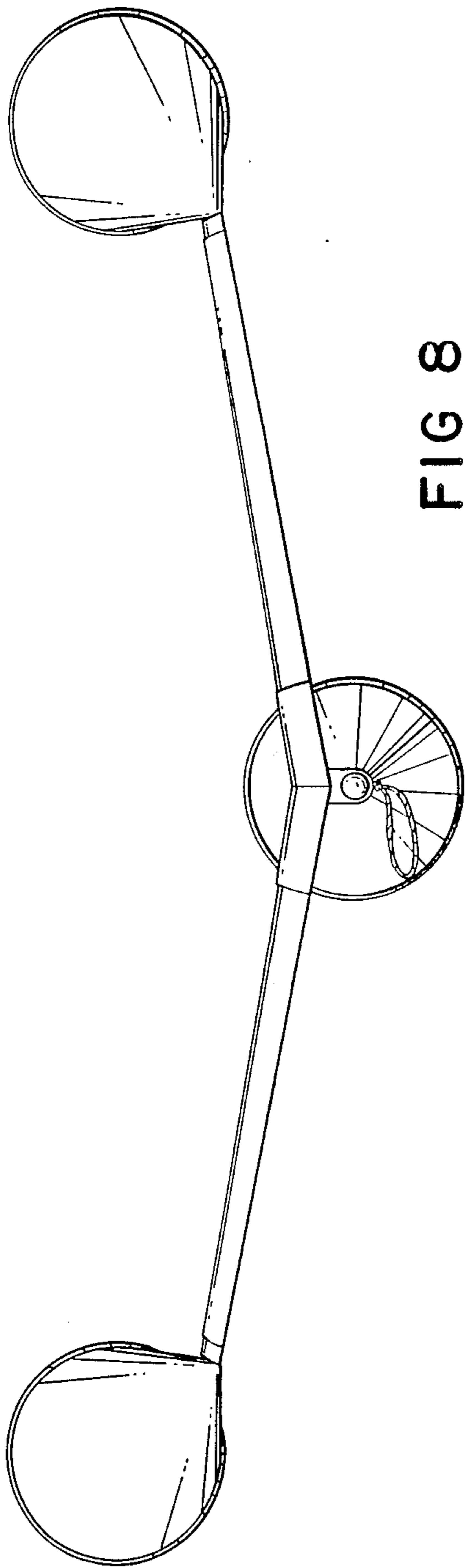


FIG 7



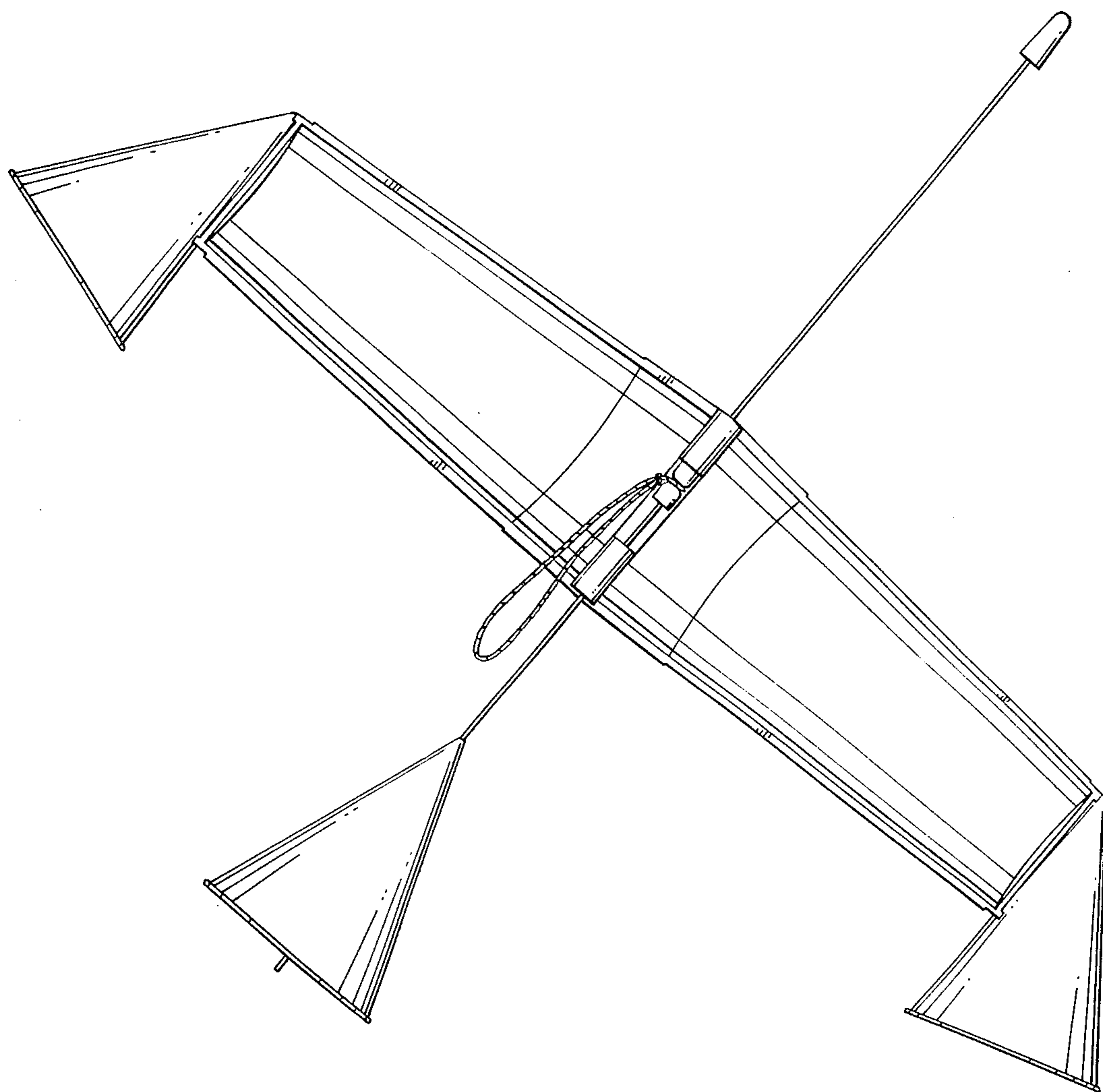


FIG 10