

[54] POCKET SECRETARY WITH FLIP OUT PANEL

[75] Inventor: Raymond Kam, Kowloon, Hong Kong

[73] Assignee: R.A.W. Consultants, Inc., Searingtown, N.Y.

[\*\*] Term: 14 Years

[21] Appl. No.: 392,850

[22] Filed: Aug. 11, 1987

[52] U.S. Cl. .... D19/26; 281/15.1

[58] Field of Search ..... 150/135, 152; 206/214, 206/215, 232, 44 R, 37; 281/22, 15.1, 16, 19.1, 31; 402/80 P; D3/56, 60, 30.1, 42, 52, 66; D19/26, 86, 27; D18/7, 6, 11, 12, 2

[56] References Cited

U.S. PATENT DOCUMENTS

D. 241,381	9/1976	Garnier	.....	D3/56 X
2,737,220	3/1956	Hoff	.....	281/31 X
2,828,975	4/1958	Wright	.....	281/19.1
3,146,004	8/1964	Kidd	.....	281/15.1 X

OTHER PUBLICATIONS

Unisonic Products Corporation publication, Calculators, Jun. 3, 1988.

Primary Examiner—Wallace R. Burke  
Assistant Examiner—Pamela J. Schmidt  
Attorney, Agent, or Firm—Howard C. Miskin

[57] CLAIM

The ornamental design for a pocket secretary with flip out panel, as shown and described.

DESCRIPTION

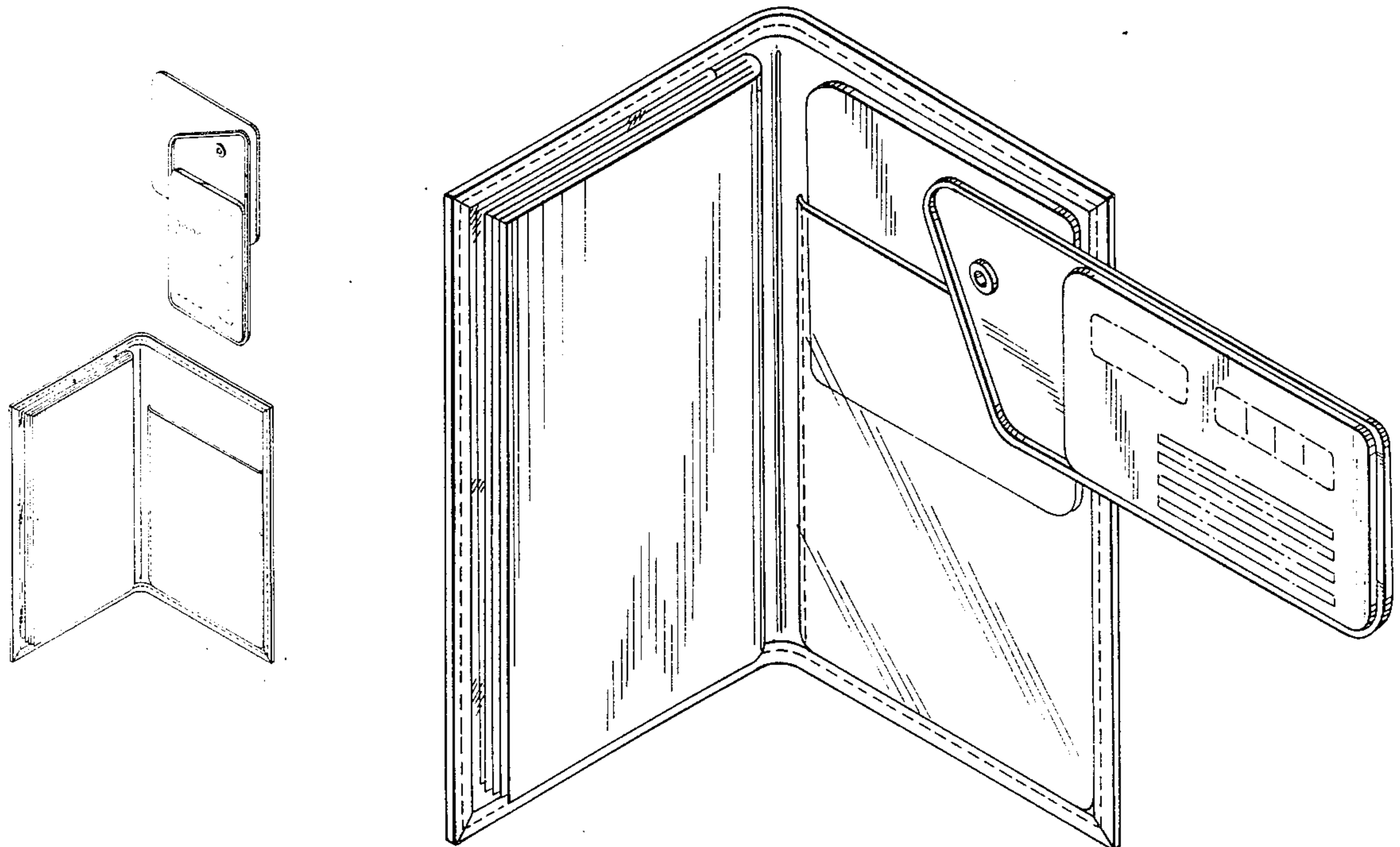
FIG. 1 is an exploded front perspective view of a pocket secretary with flip out panel in open condition, showing my new design;

FIG. 2 is a front, perspective view thereof, in closed condition, the undisclosed rear being the same;

FIG. 3 is a front perspective view thereof, in open condition; and

FIG. 4 is a front perspective view thereof, with part of the insert portion flipped out.

The broken lines shown on the insert portion of FIGS. 1, 3 and 4 are for illustrative purposes only and form no part of the claimed design. The remaining dashed lines in all views represent conventional stitching.



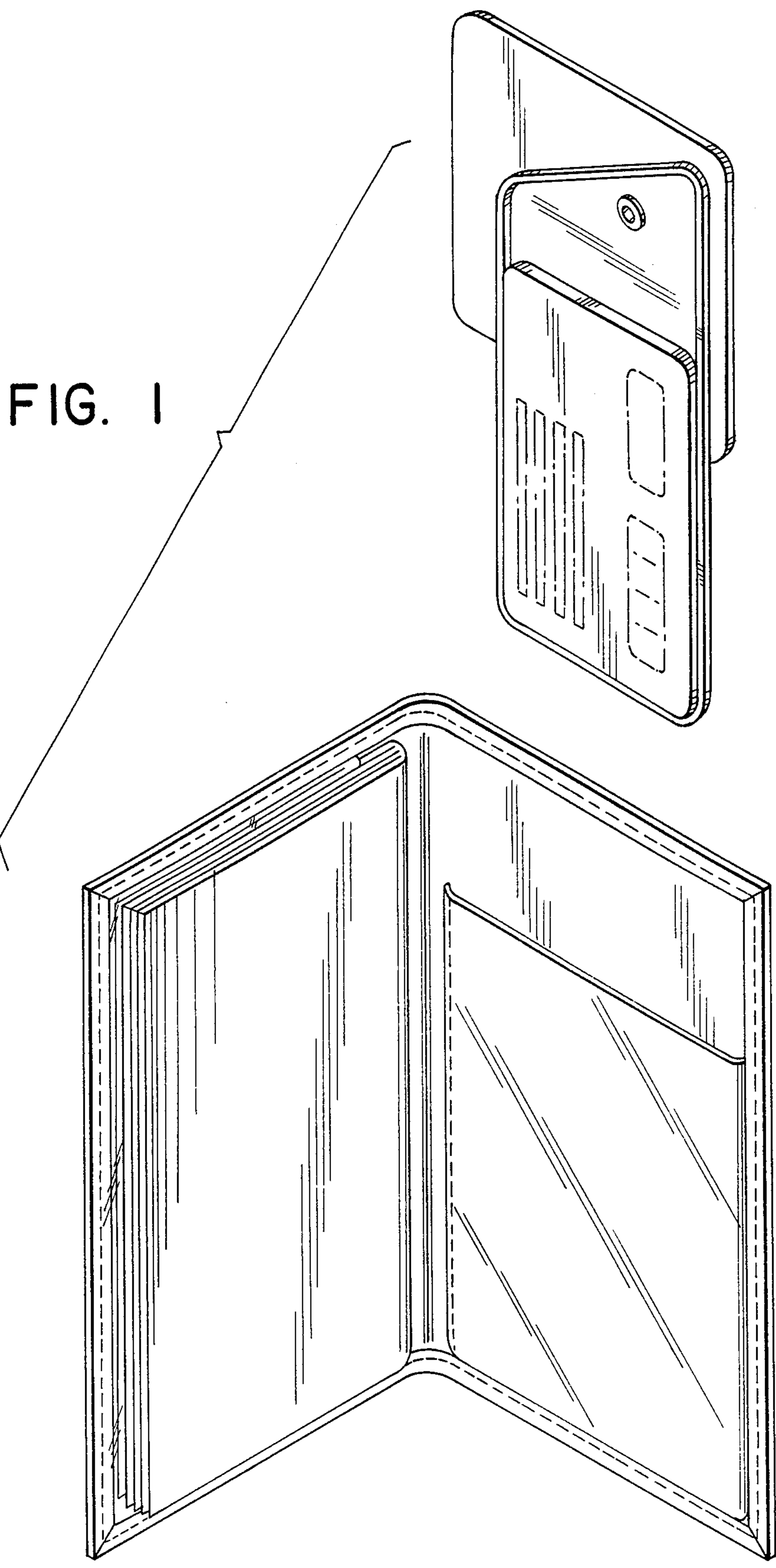


FIG. 2

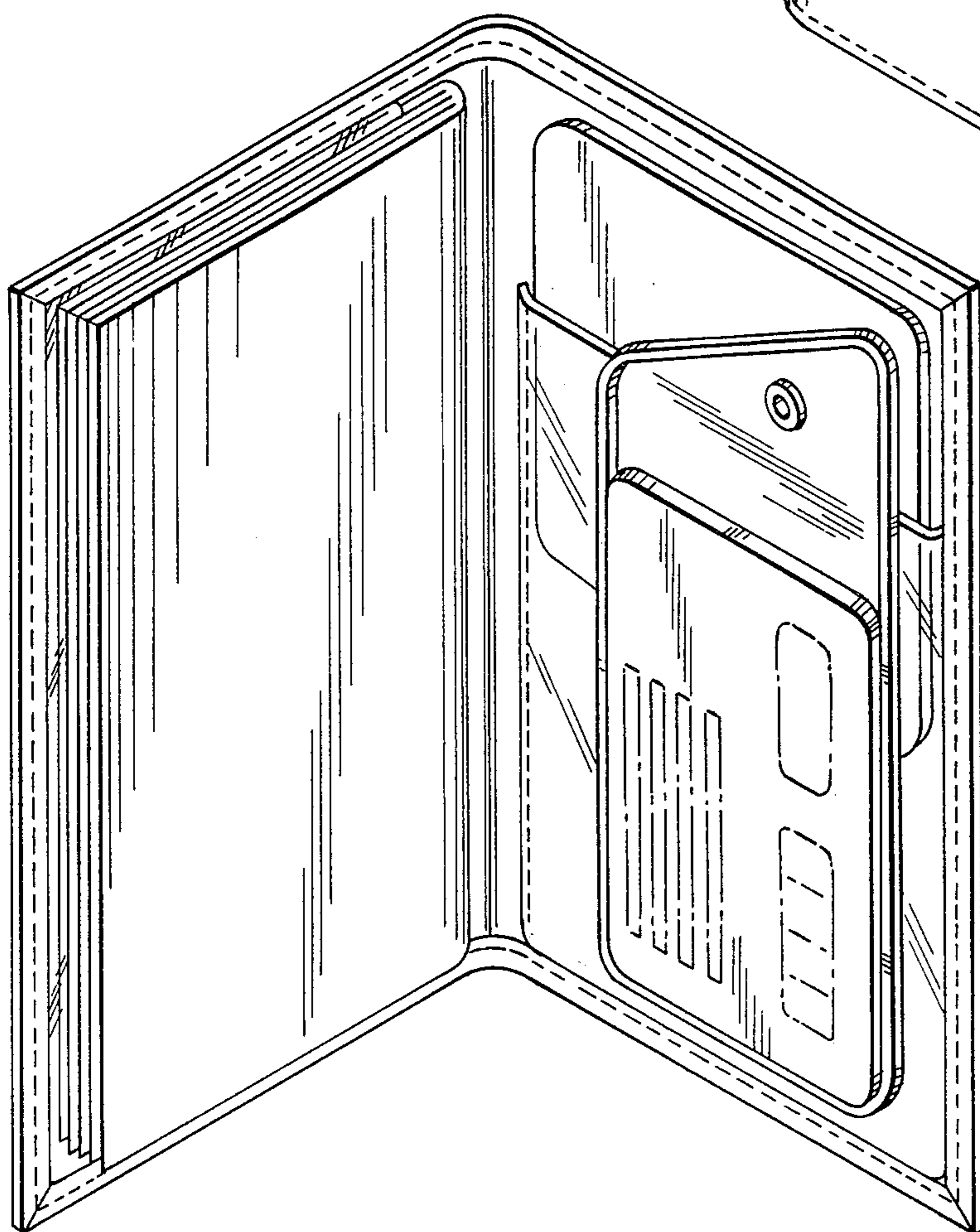
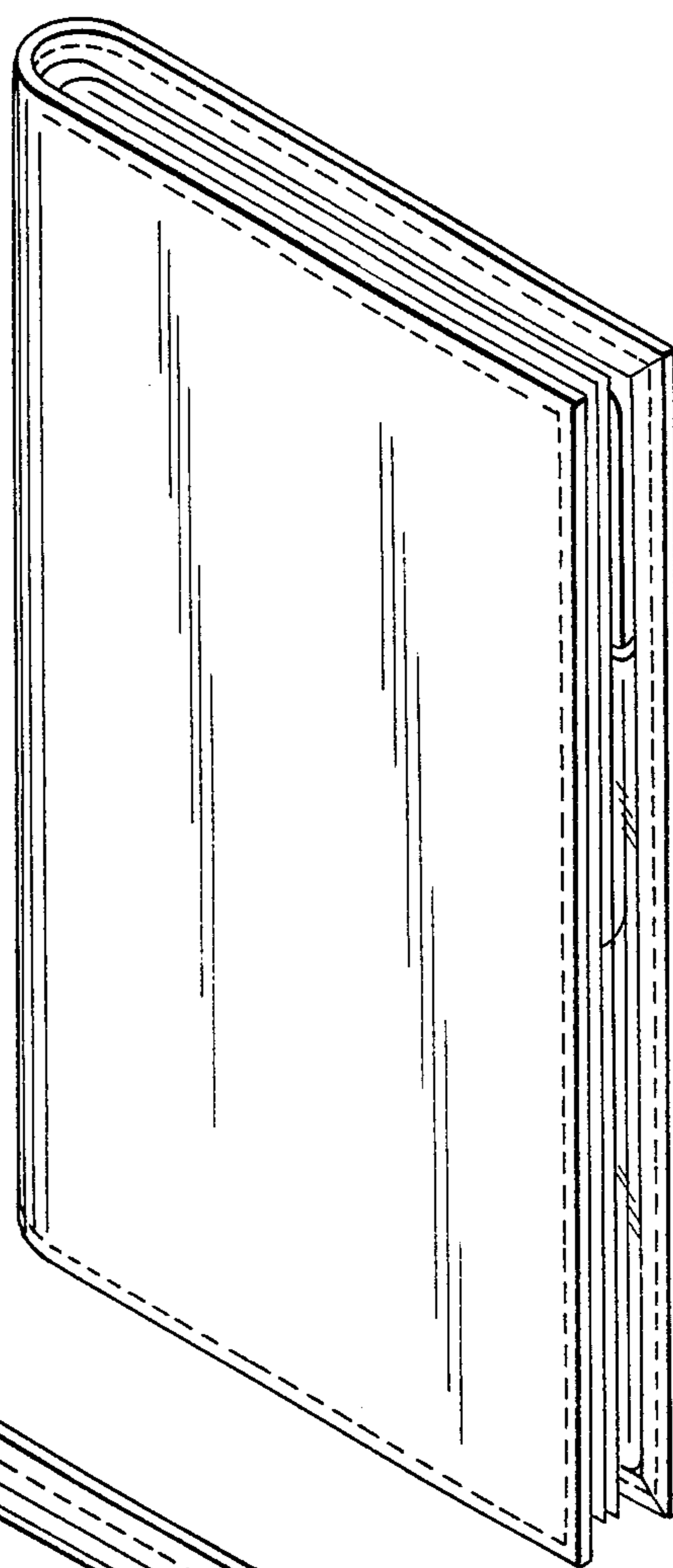


FIG. 3

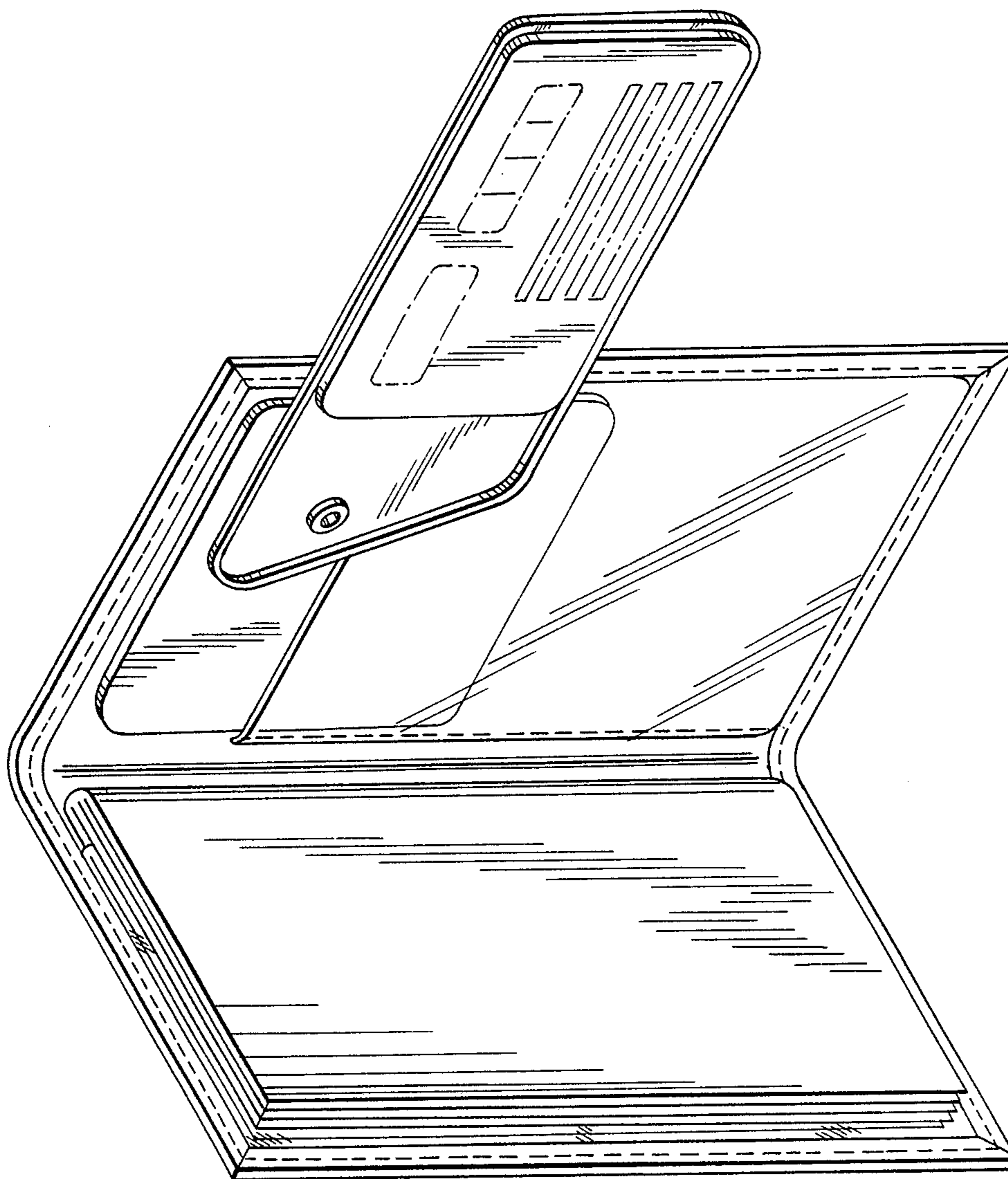


FIG. 4