

[54] COMBINATION PICTURE FRAME AND EXPANDABLE PHOTO ALBUM

[75] Inventor: George G. Bergh, Plainville, Mass.

[73] Assignee: Bergh Bros. Co., Inc., Attleboro Falls, Mass.

[\*\*] Term: 14 Years

[21] Appl. No.: 361,109

[22] Filed: Jun. 5, 1989

[52] U.S. Cl. .... D19/26; D6/303

[58] Field of Search ..... D19/26, 27, 28; D16/242; D6/300, 301, 302, 311, 310

[56] References Cited

U.S. PATENT DOCUMENTS

- D. 137,883 5/1944 Widder ..... D19/26 X
- D. 235,722 7/1975 Rettick ..... D6/300
- 3,242,603 3/1966 Righenzi ..... 229/75 X
- 4,110,923 9/1978 Shore ..... 40/158.1 X

4,184,278 1/1980 Fournet ..... 40/158.1 X

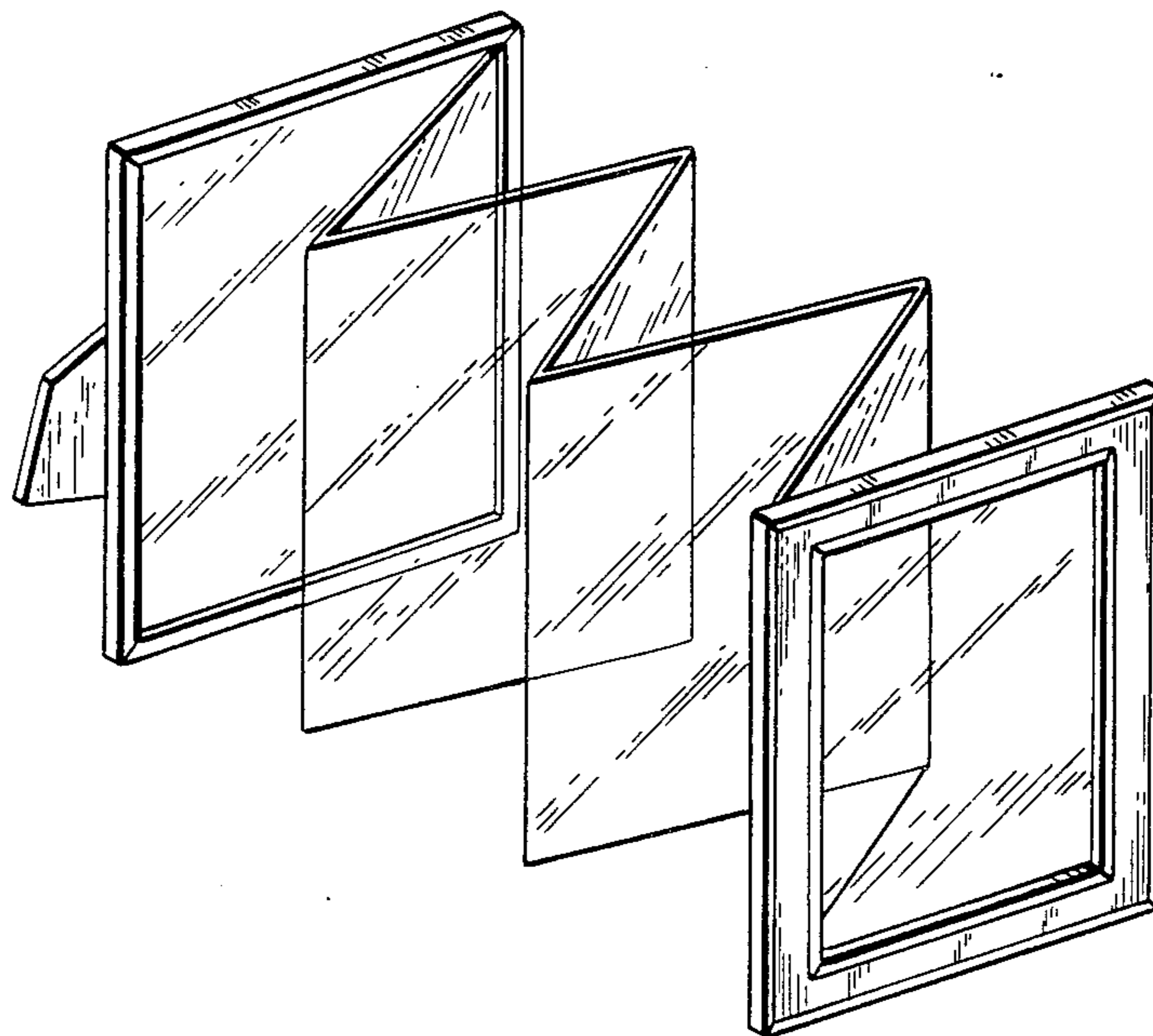
Primary Examiner—Wallace R. Burke  
Assistant Examiner—Pamela J. Schmidt  
Attorney, Agent, or Firm—Samuels, Gauthier & Stevens

[57] CLAIM

The ornamental design for a combination picture frame and expandable photo album, as shown and described.

DESCRIPTION

FIG. 1 is a front elevational view of combination picture frame and expandable photo album showing my new design;  
FIG. 2 is a left side elevational view thereof;  
FIG. 3 is a right side elevational view thereof;  
FIG. 4 is a top plan view thereof;  
FIG. 5 is a bottom plan view thereof;  
FIG. 6 is a rear elevational view thereof;  
FIG. 7 is a front perspective view thereof in a collapsed position; and  
FIG. 8 is a front perspective view thereof in an expanded position.



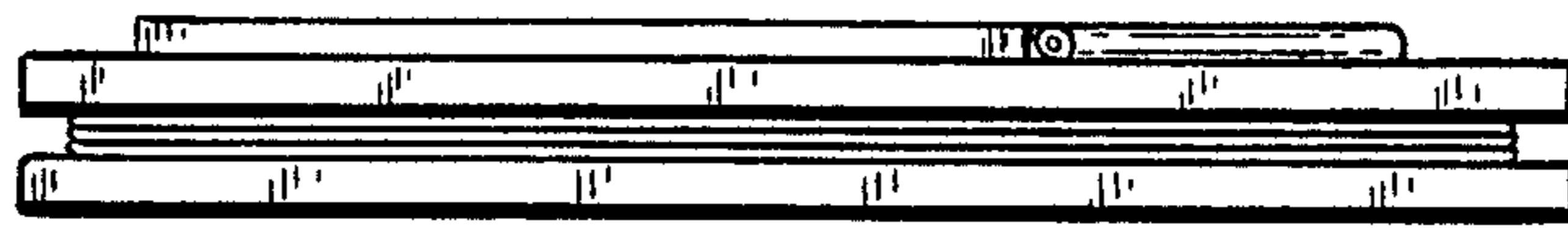


FIG. 4

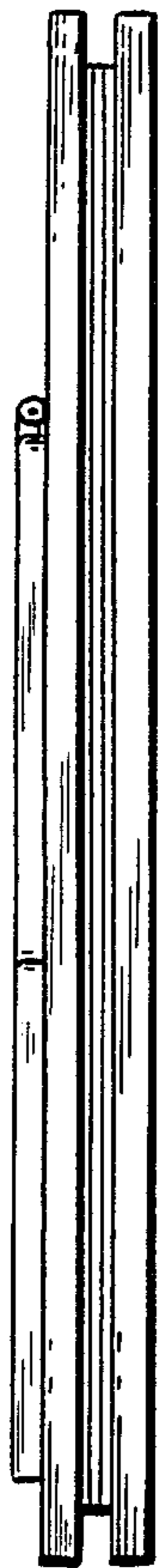


FIG. 2

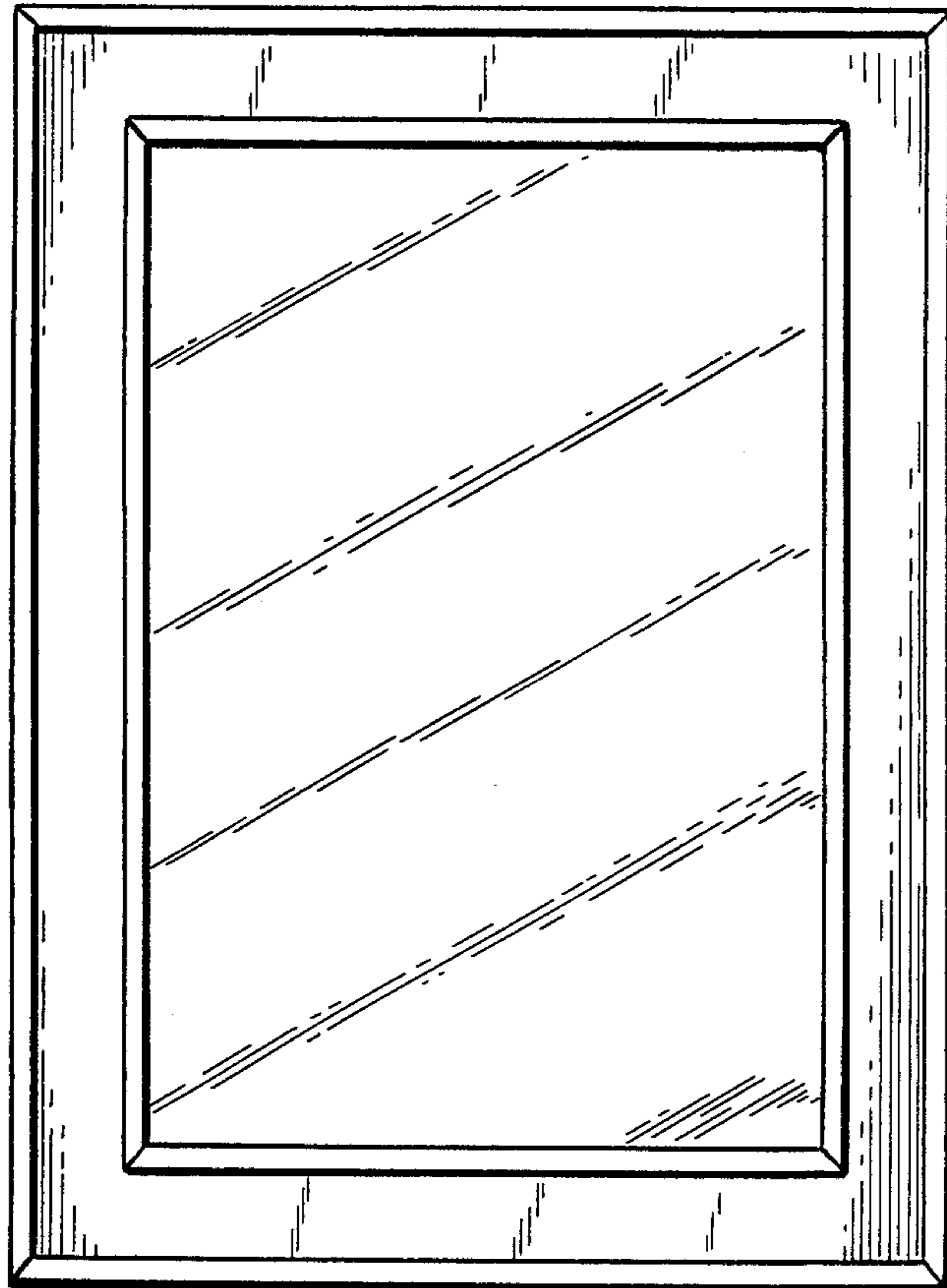


FIG. 1

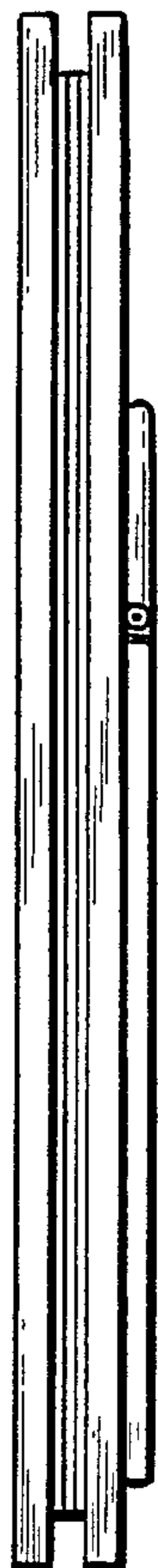


FIG. 3

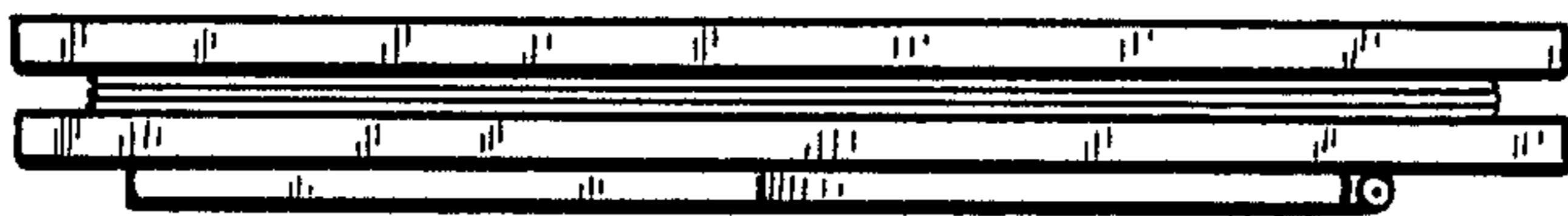


FIG. 5

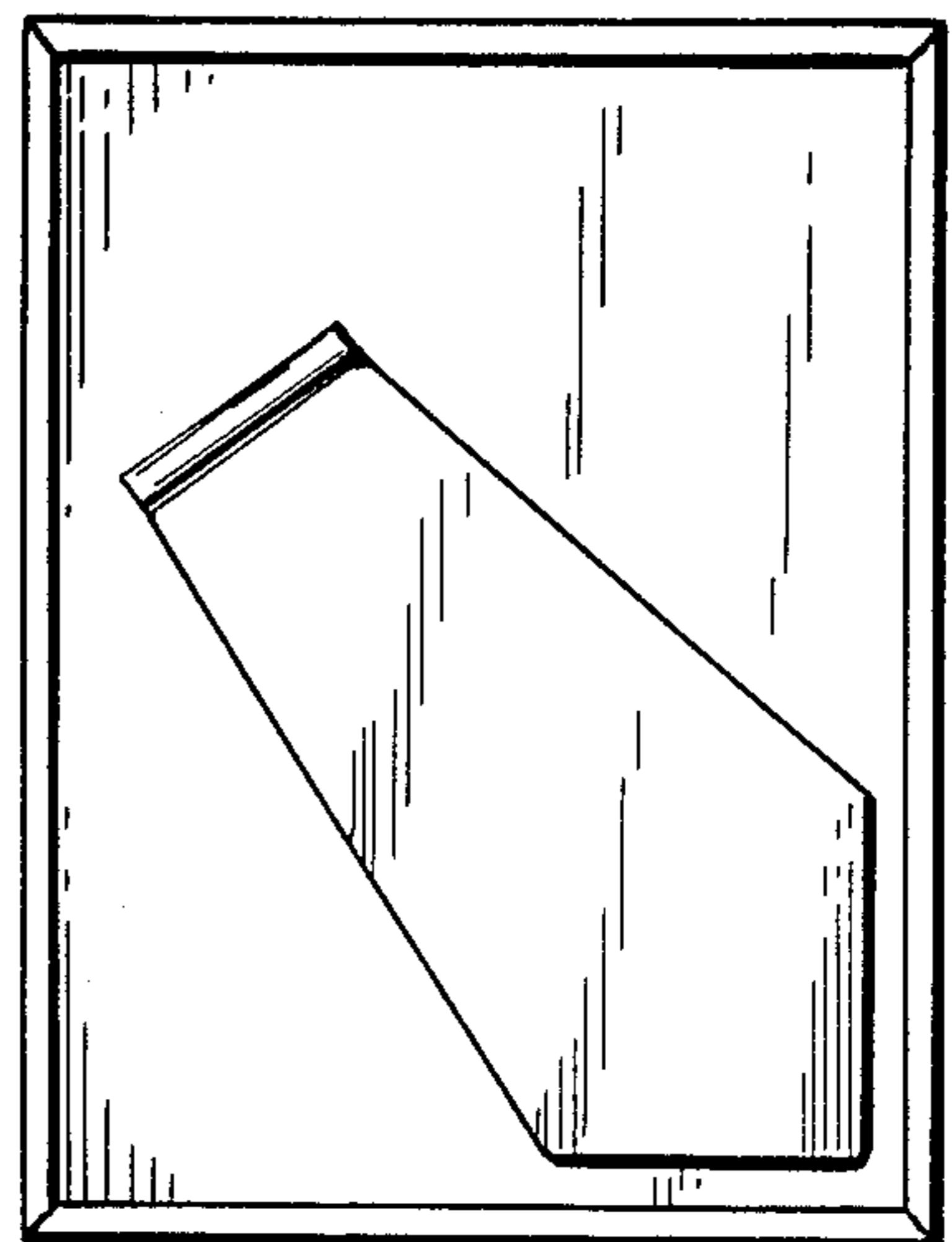


FIG. 6

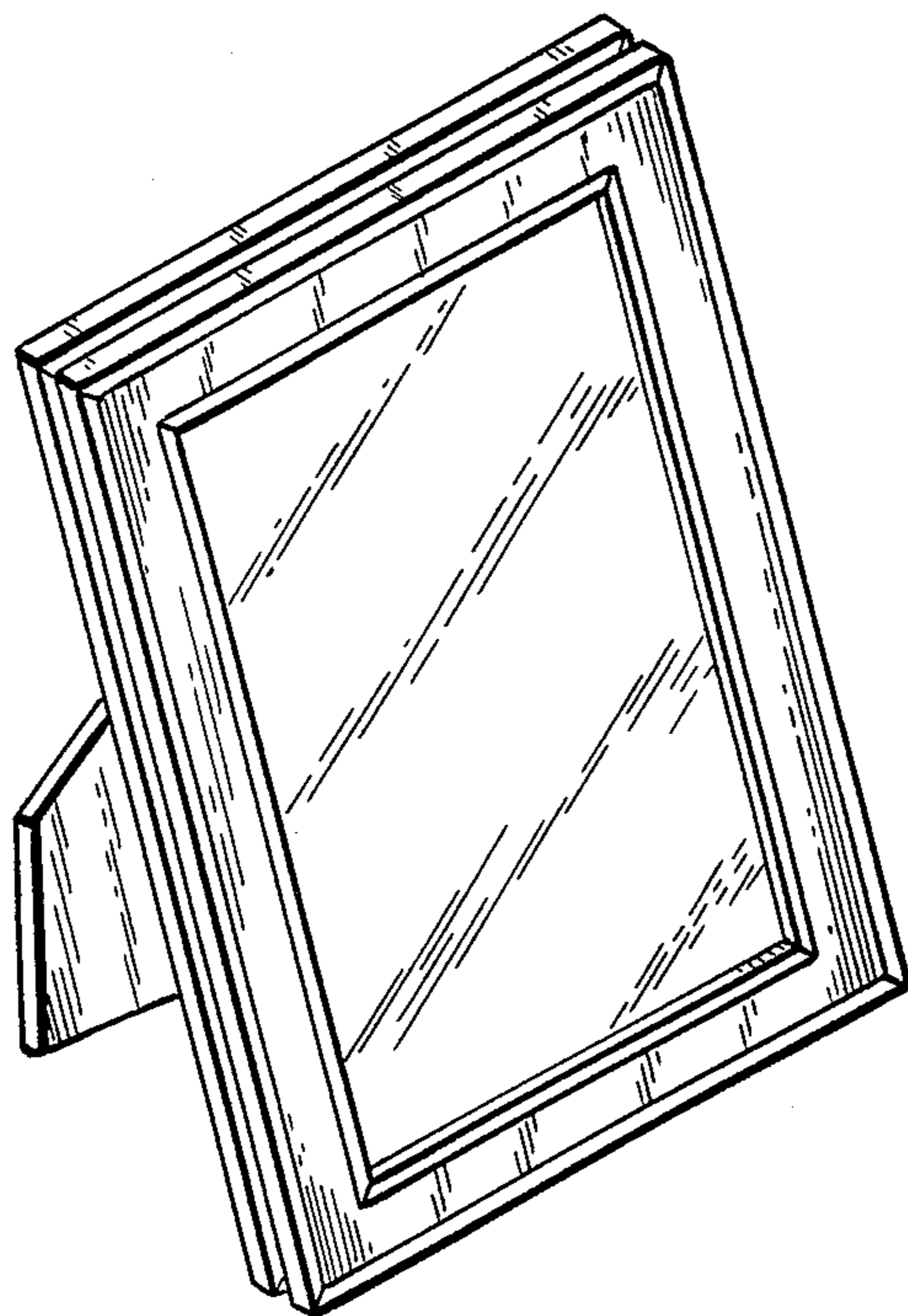


FIG. 7

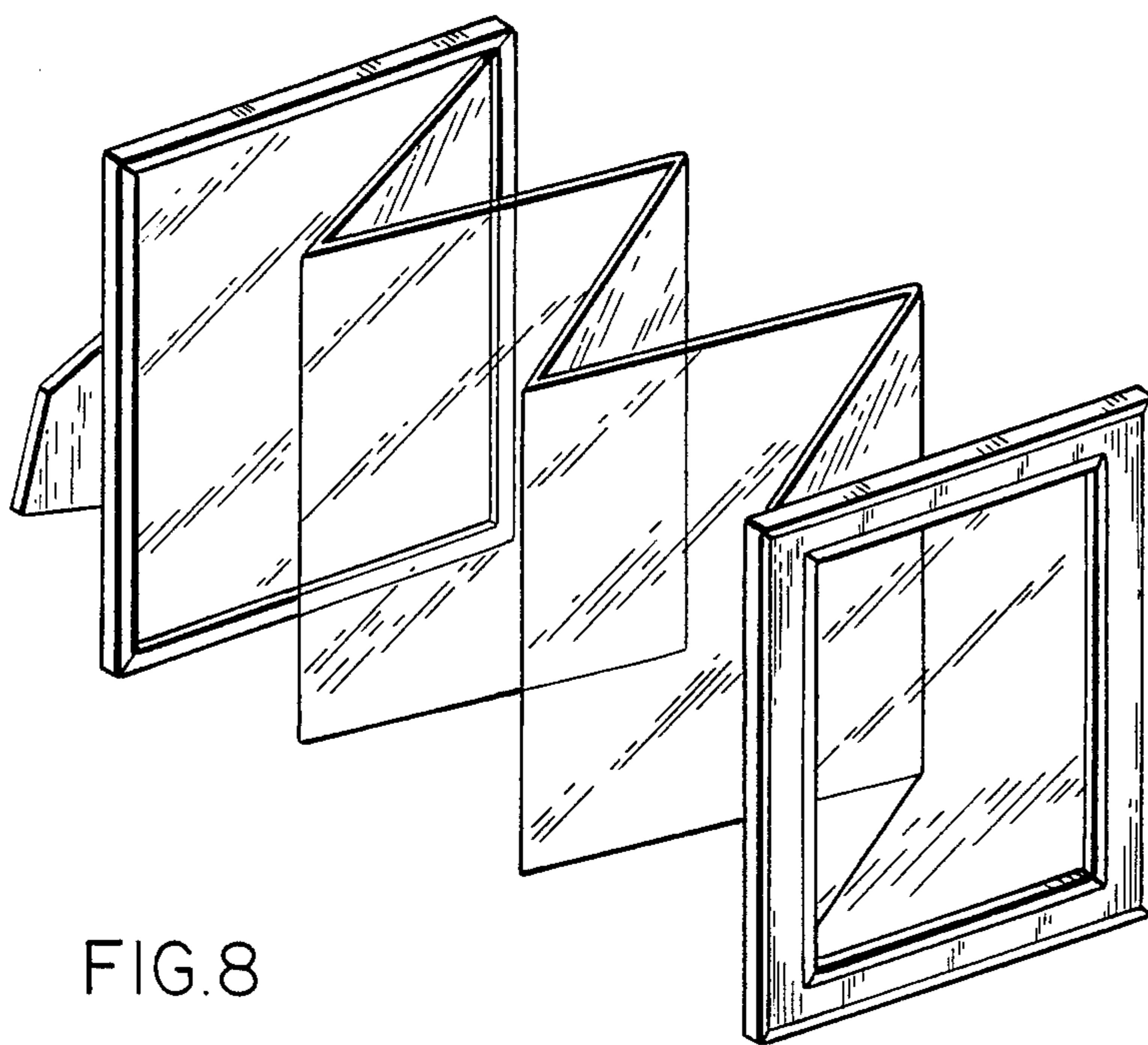


FIG. 8