

United States Patent [19]
Tsuji

[11] **Patent Number: Des. 311,212**
[45] **Date of Patent: ** Oct. 9, 1990**

[54] **PAPER CLIP**

[75] **Inventor: Shintaro Tsuji, Tokyo, Japan**
[73] **Assignee: Sanrio Company, Ltd., Tokyo, Japan**
[**] **Term: 14 Years**
[21] **Appl. No.: 39,593**
[22] **Filed: Apr. 16, 1987**

[30] **Foreign Application Priority Data**

Oct. 18, 1986 [JP] Japan 61-041134
[52] **U.S. Cl. D19/65; D19/86**
[58] **Field of Search D19/34, 65, 75, 95,**
D19/86, 99, 88, 100, 90; 24/67.3, 67 R, 67.9,
67.11, 545, 546

[56] **References Cited**

U.S. PATENT DOCUMENTS

D. 29,487 10/1898 Dean D19/65
D. 31,842 11/1899 Pflueger D19/65
D. 268,848 5/1983 Lorber D19/99

D. 305,036 12/1989 Voetsch D19/34

FOREIGN PATENT DOCUMENTS

1175696 3/1959 France 24/261.6
218377 3/1942 Switzerland 24/261

Primary Examiner—Bruce W. Dunkins
Assistant Examiner—Martha Thompson
Attorney, Agent, or Firm—Owen, Wickersham &
Erickson

[57] **CLAIM**

The ornamental design for a paper clip, as shown and described.

DESCRIPTION

FIG. 1 is a perspective view of a paper clip showing my new design;
FIG. 2 is a front elevational view, the rear being a mirror image thereof;
FIG. 3 is a side elevational view, the opposite side being a mirror image thereof; and
FIG. 4 is a bottom plan view thereof.

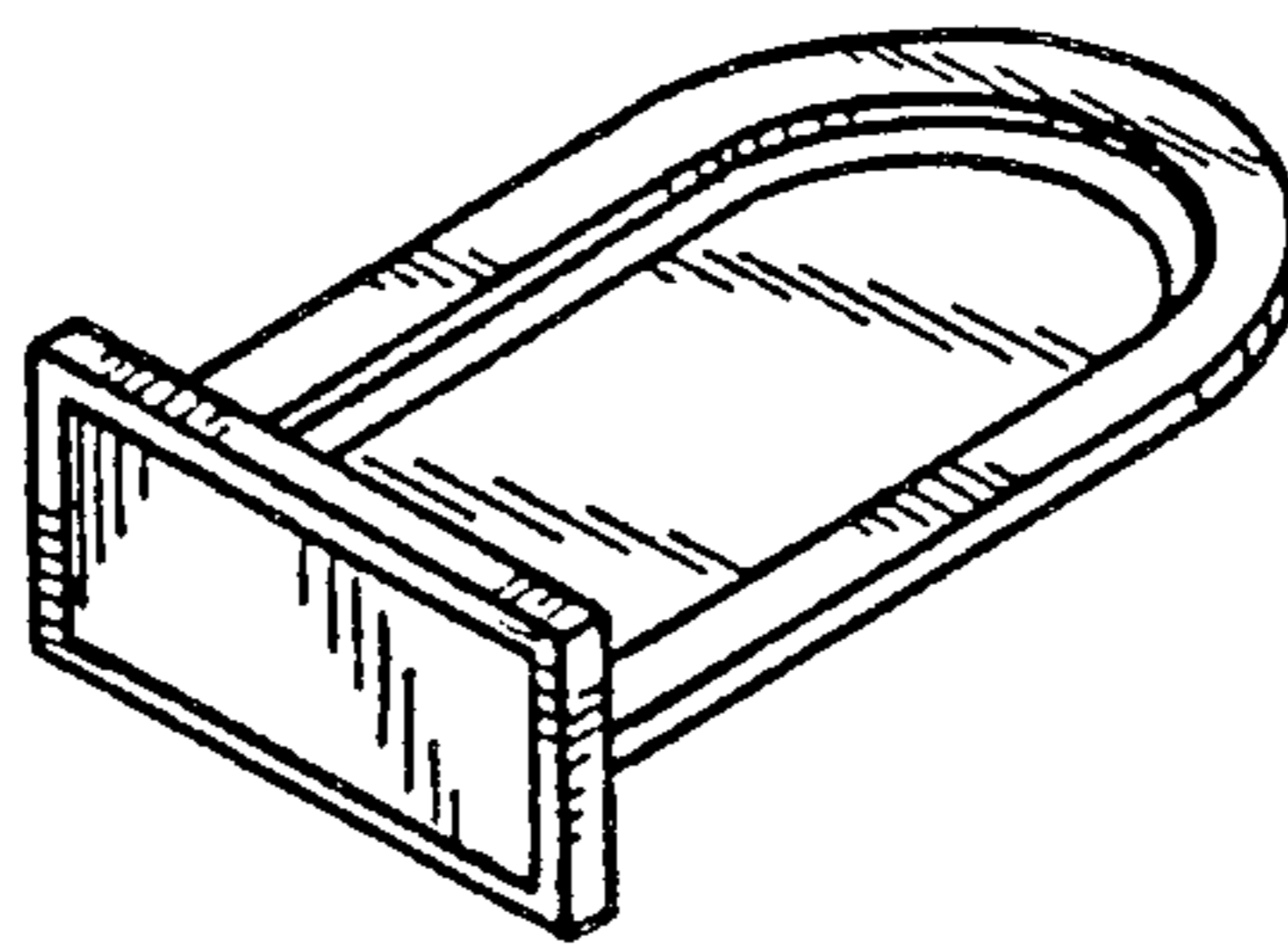


FIG. 1

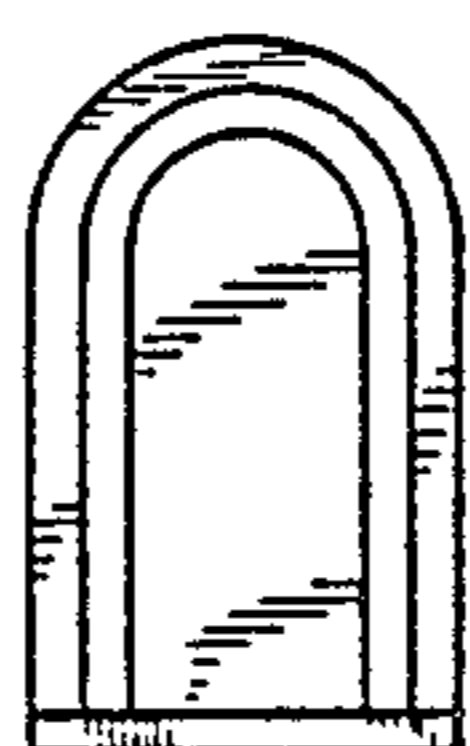
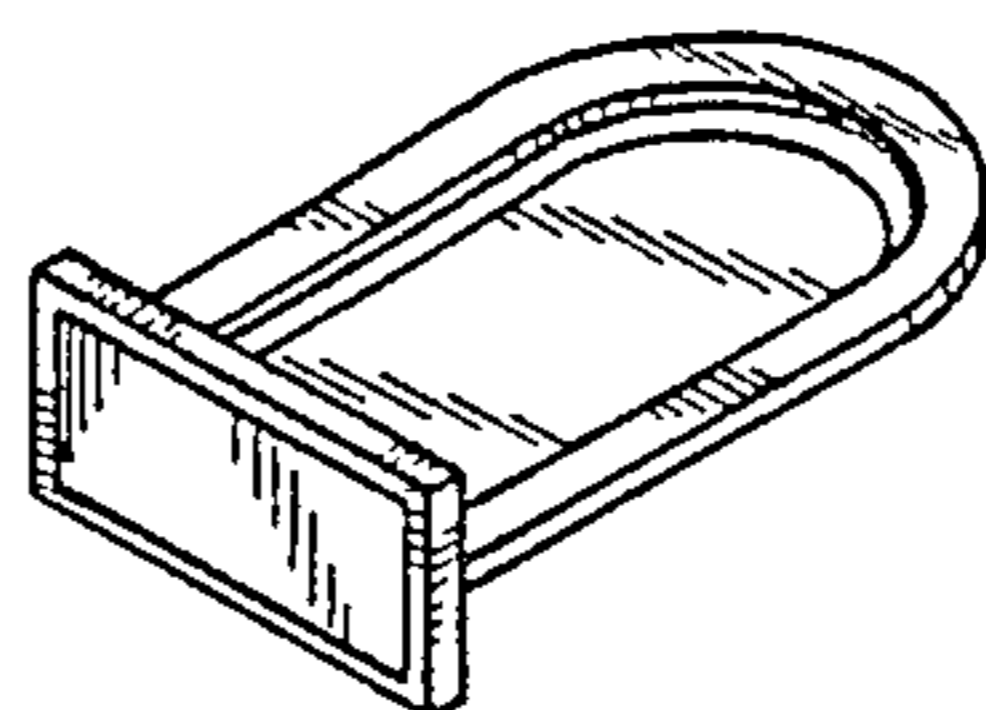


FIG. 2



FIG. 3



FIG. 4