

[54] COMBINED PALETTE AND HOLDER THEREFOR

[76] Inventor: Dallas R. Bottcher, 3300 N. 75th St., Lincoln, Nebr. 68507

[**] Term: 14 Years

[21] Appl. No.: 926,996

[22] Filed: Nov. 4, 1986

[52] U.S. Cl. D19/35; D19/36; D19/92

[58] Field of Search D19/35, 36, 65, 75, D19/77; 206/1.7, 1.8, 1.9, 214, 558

[56] References Cited

U.S. PATENT DOCUMENTS

| | | | | |
|------------|---------|----------|-------|---------|
| D. 279,384 | 6/1985 | Evenson | | D19/75 |
| D. 279,583 | 7/1985 | Hall | | D19/77 |
| 645,504 | 3/1900 | Daggett | | 206/558 |
| 2,071,169 | 2/1937 | Killik | | 206/1.8 |
| 3,917,106 | 11/1975 | Bargetzi | | 206/558 |

OTHER PUBLICATIONS

Visual Systems Catalog ©1985, see p. 285, item 985 Palette upper center.

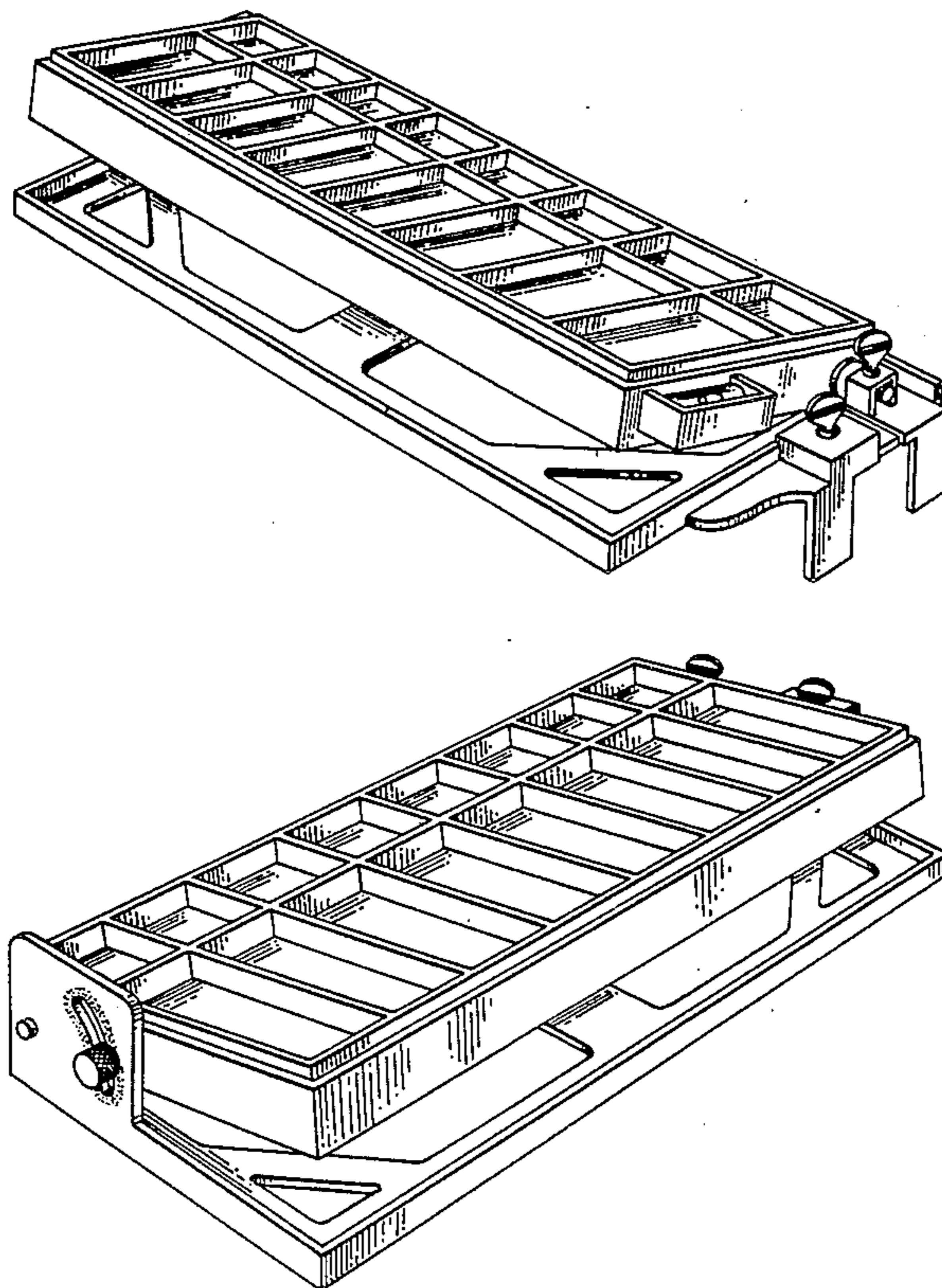
Primary Examiner—Bruce W. Dunkins
Assistant Examiner—Martha Thompson
Attorney, Agent, or Firm—Vincent L. Carney

[57] CLAIM

The ornamental design for a combined palette and holder therefor, as shown.

DESCRIPTION

FIG. 1 is a left front perspective view of a combined palette and holder therefor showing my new design; FIG. 2 is a right front perspective view; FIG. 3 is a rear elevational view; FIG. 4 is a front elevational view; FIG. 5 is a left side elevational view; FIG. 6 is a right side elevational view; FIG. 7 is a top plan view; and FIG. 8 is a bottom plan view thereof.



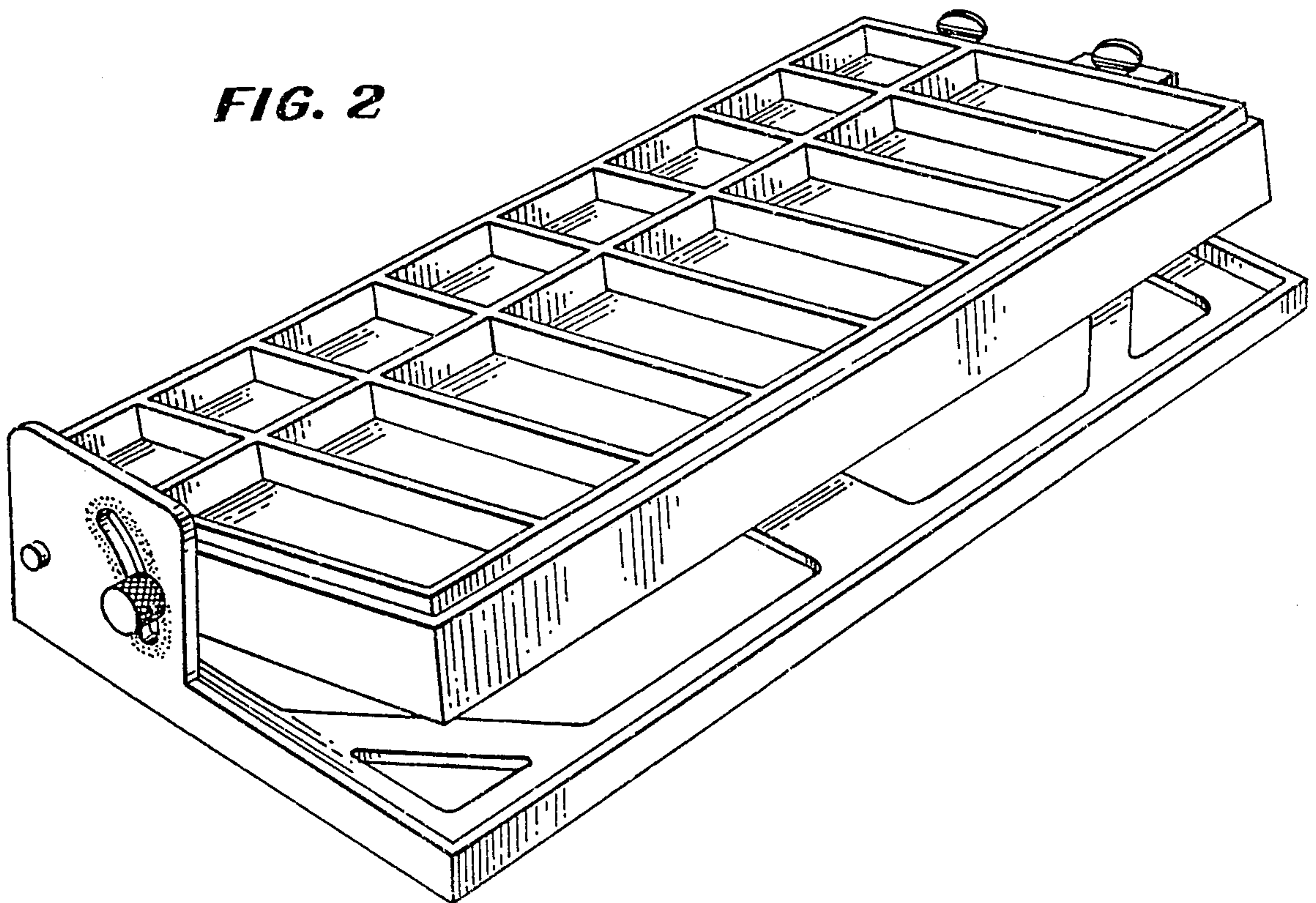
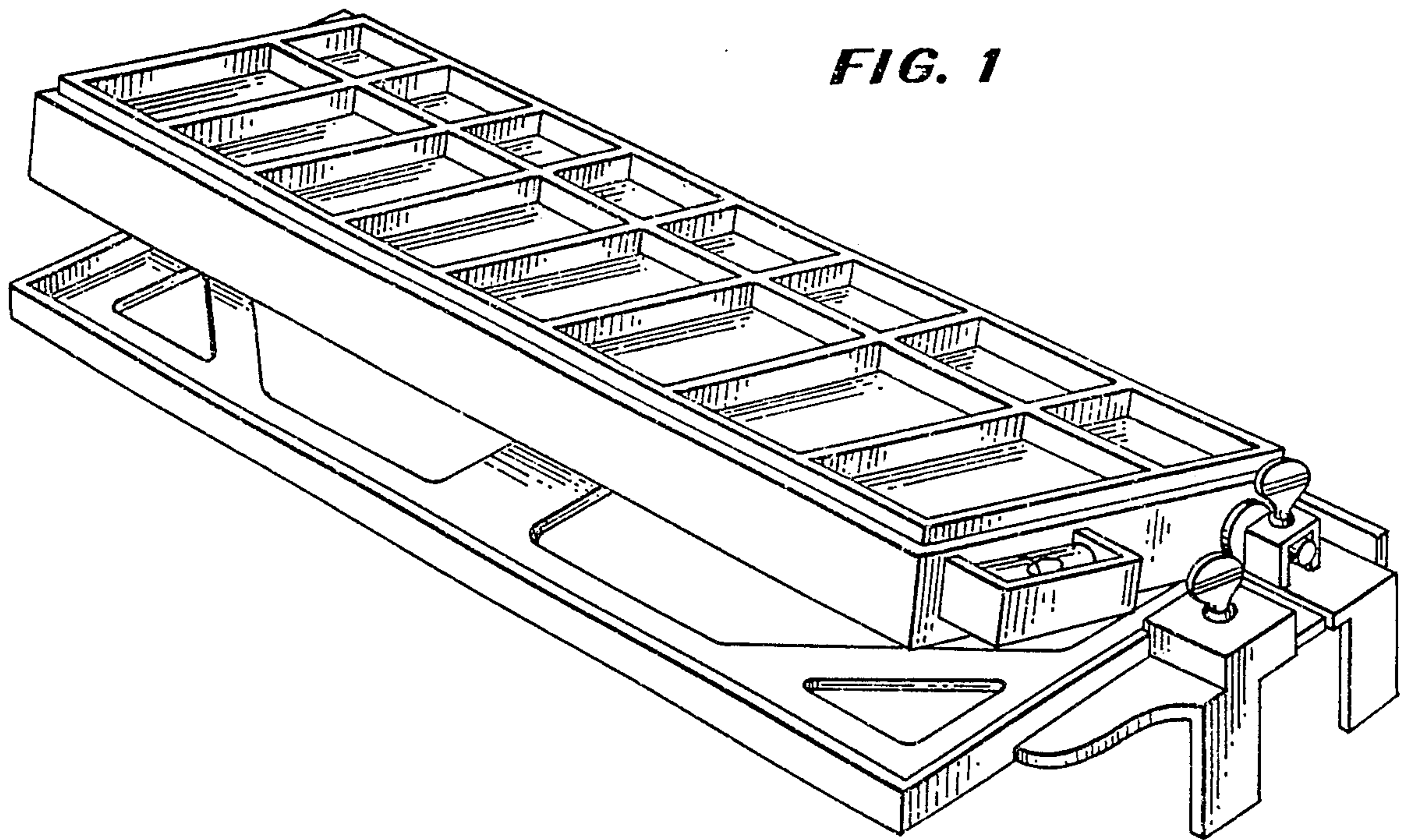


FIG. 3

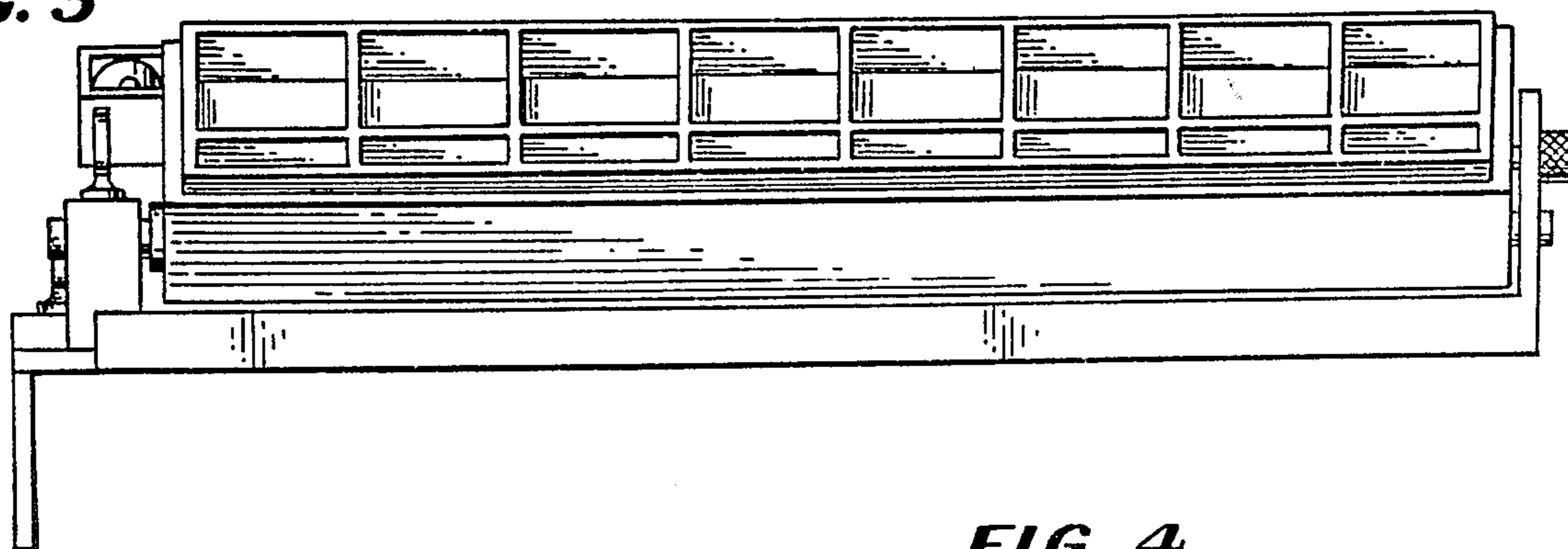


FIG. 4

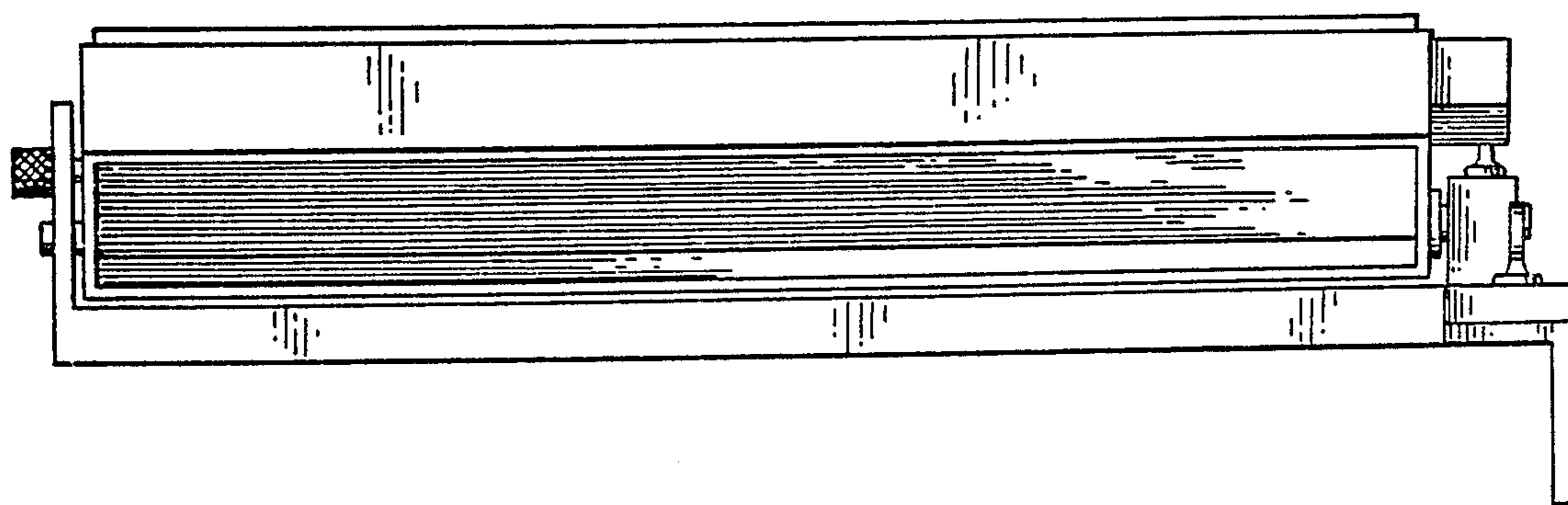


FIG. 5

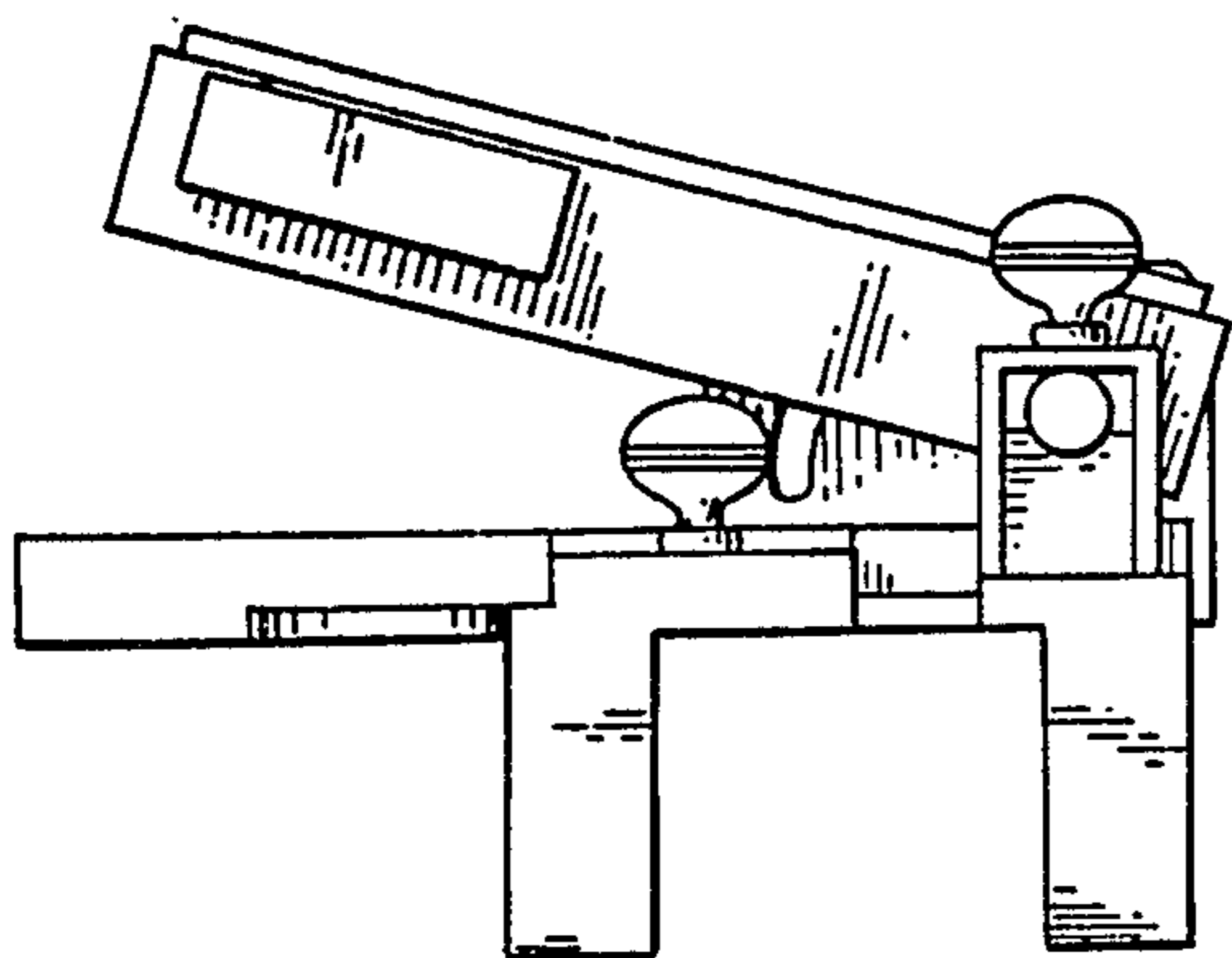


FIG. 6

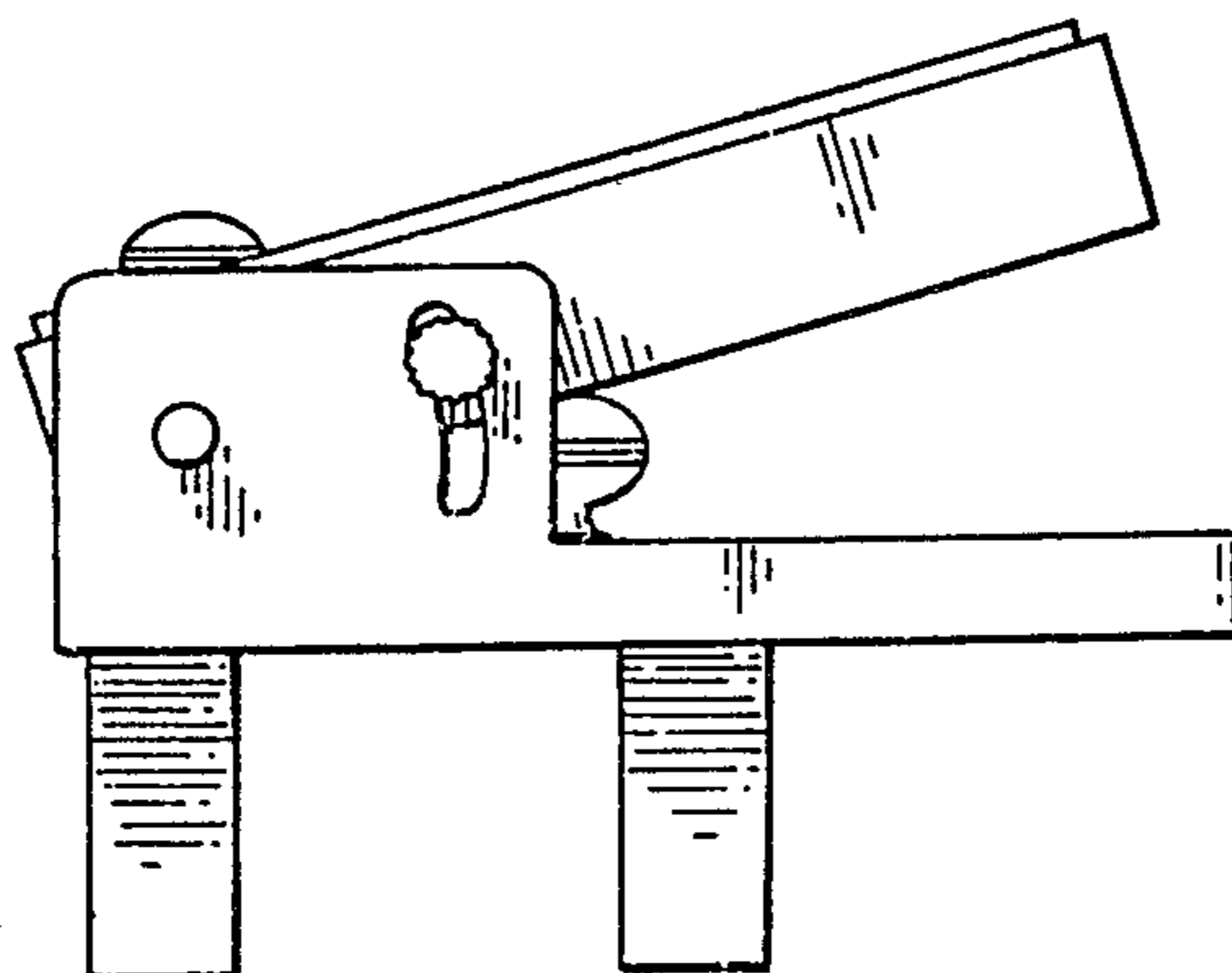


FIG. 7

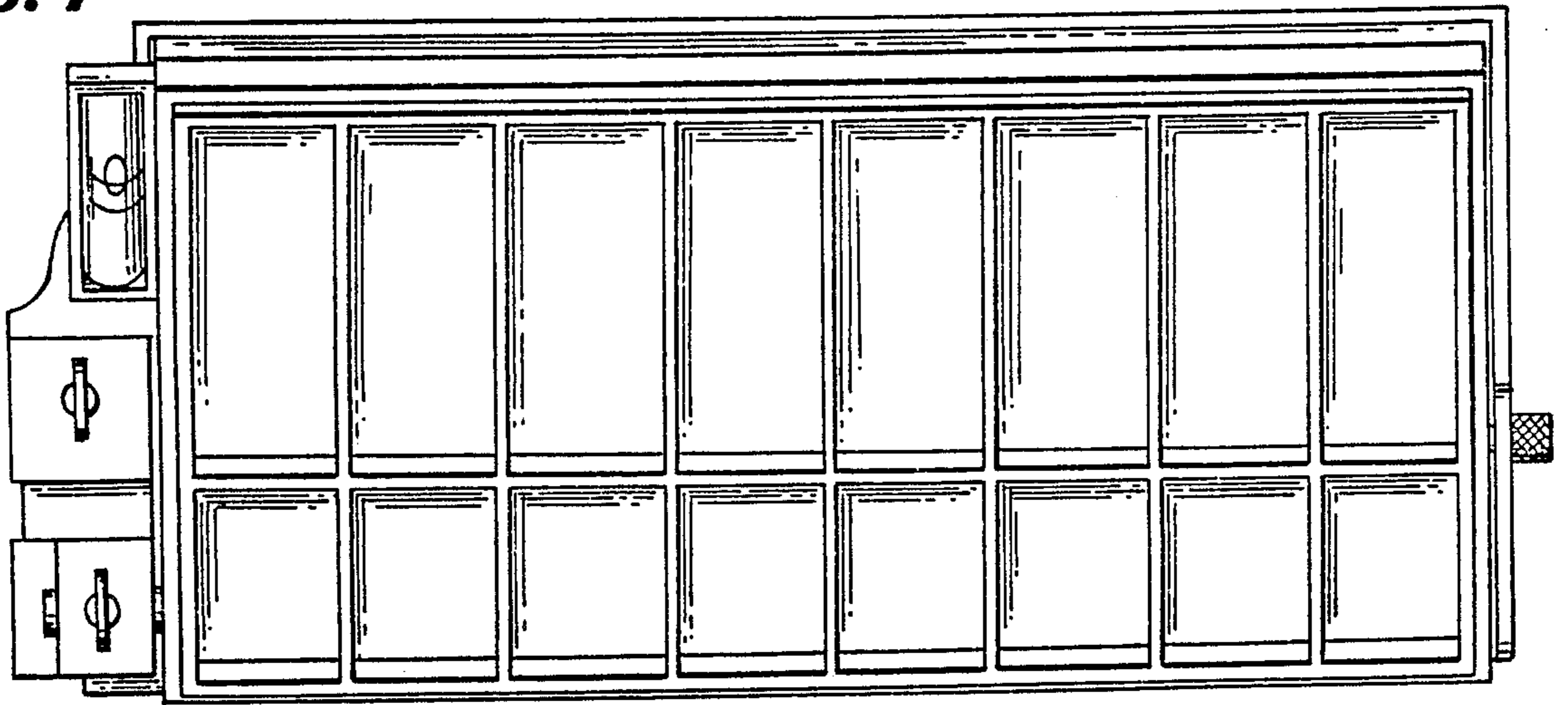


FIG. 8

