

[54] GREETING CARD ALBUM

[76] Inventor: Audrey C. Folson, P.O. Box 892, Sarasota, Fla. 34230

[**] Term: 14 Years

[21] Appl. No.: 126,426

[22] Filed: Nov. 30, 1987

[52] U.S. Cl. D19/27

[58] Field of Search D19/26, 27, 1, 6; 281/22, 45, 15.1, 3.1, 16; 40/124, 124.1

[56] References Cited

U.S. PATENT DOCUMENTS

- D. 193,703 10/1962 Price D19/27
- D. 255,248 6/1980 Olsson D19/27
- 4,624,480 11/1986 Marthaler et al. 402/80 X

FOREIGN PATENT DOCUMENTS

614888 6/1977 Fed. Rep. of Germany 40/124

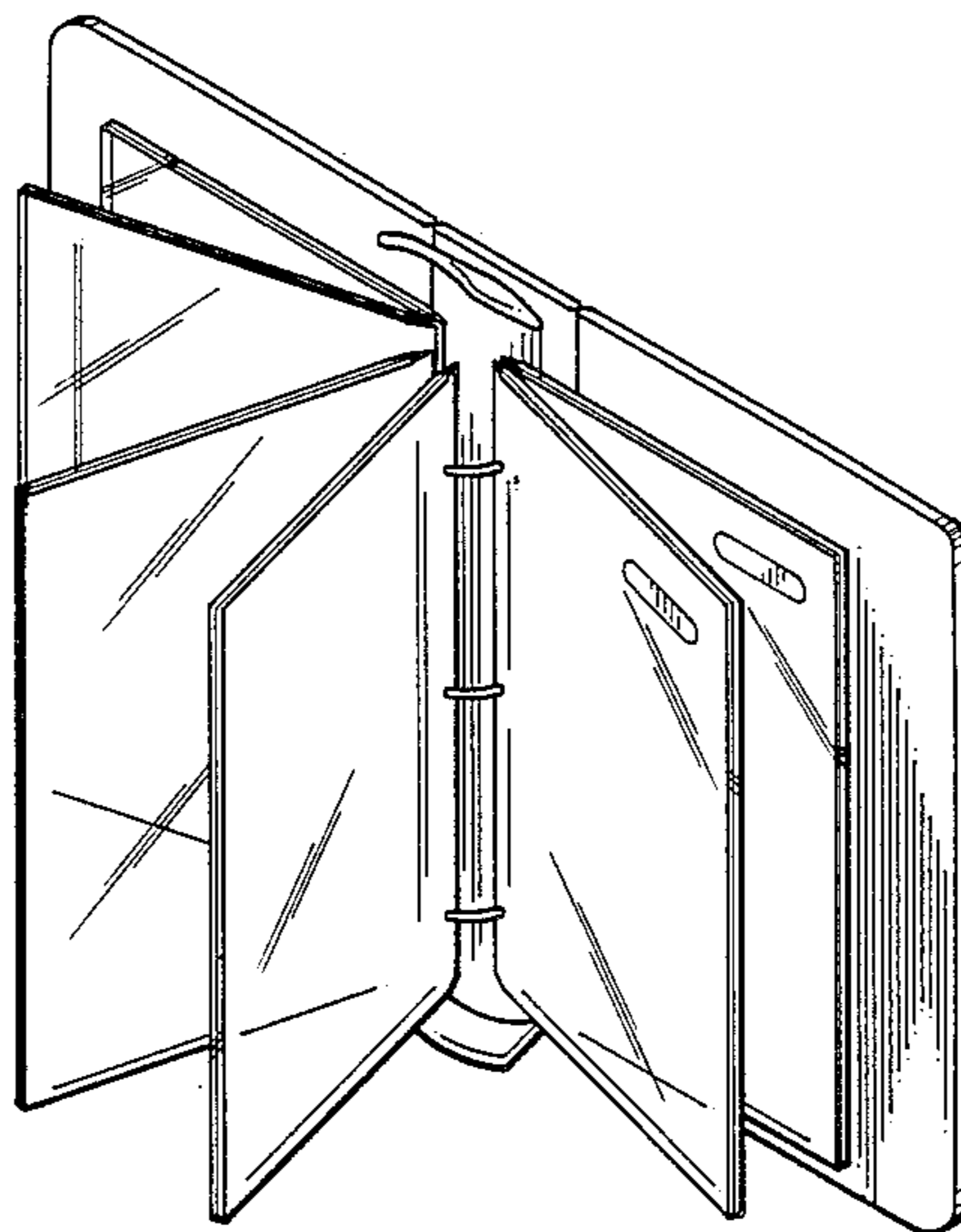
Primary Examiner—Wallace R. Burke
Assistant Examiner—Pamela J. Schmidt
Attorney, Agent, or Firm—Jerry T. Kearns

[57] CLAIM

The ornamental design for a greeting card album, as shown and described.

DESCRIPTION

FIG. 1 is a top plan view of a greeting card album in open condition showing my new design; FIG. 2 is a bottom plan view thereof; FIG. 3 is a left side elevational view thereof, shown in open condition, the right side being a substantial mirror image thereof; FIG. 4 is an end elevational view in open condition, the undisclosed end being a mirror image thereof; and, FIG. 5 is a top perspective view thereof in open condition.



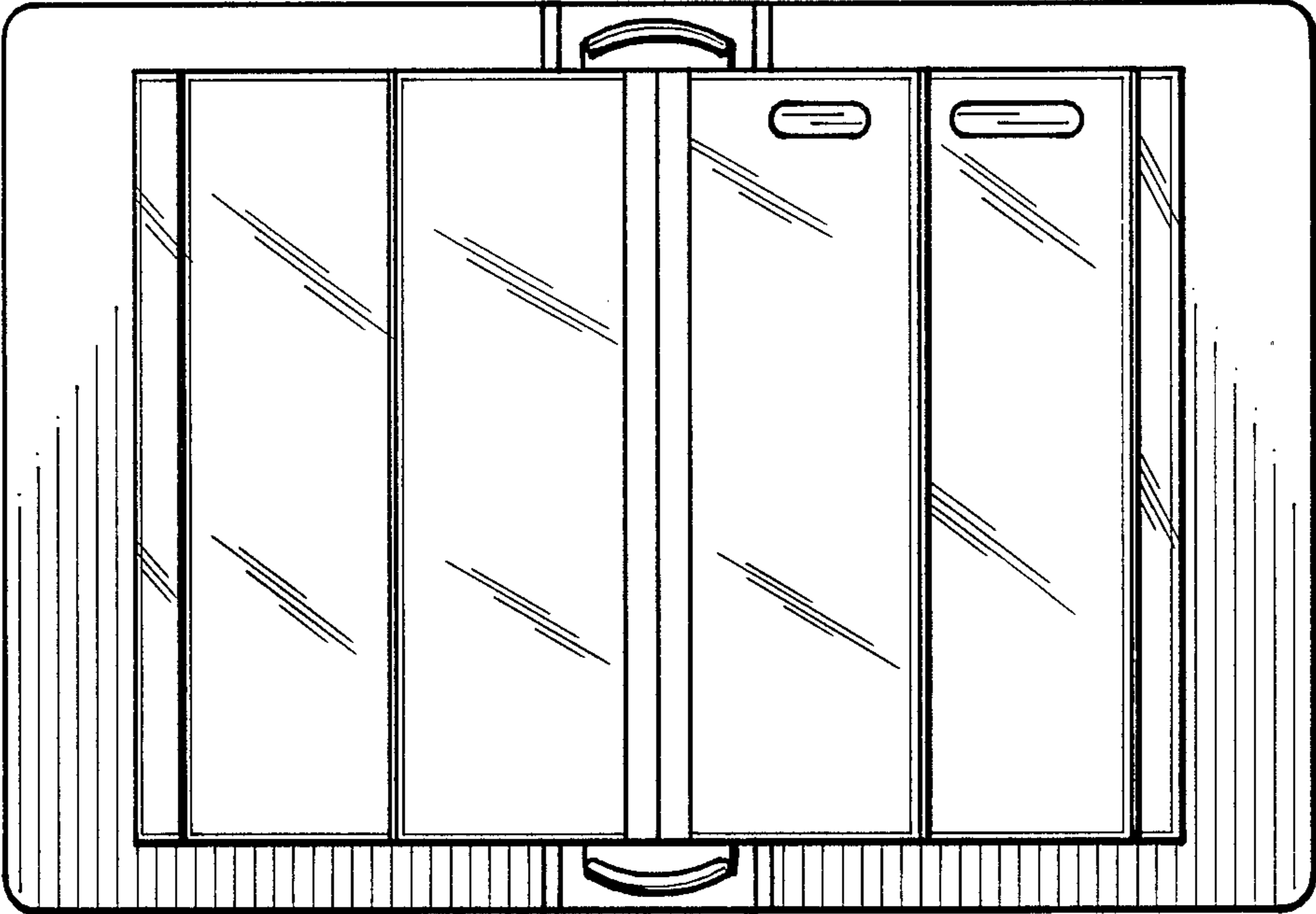


Fig. 1

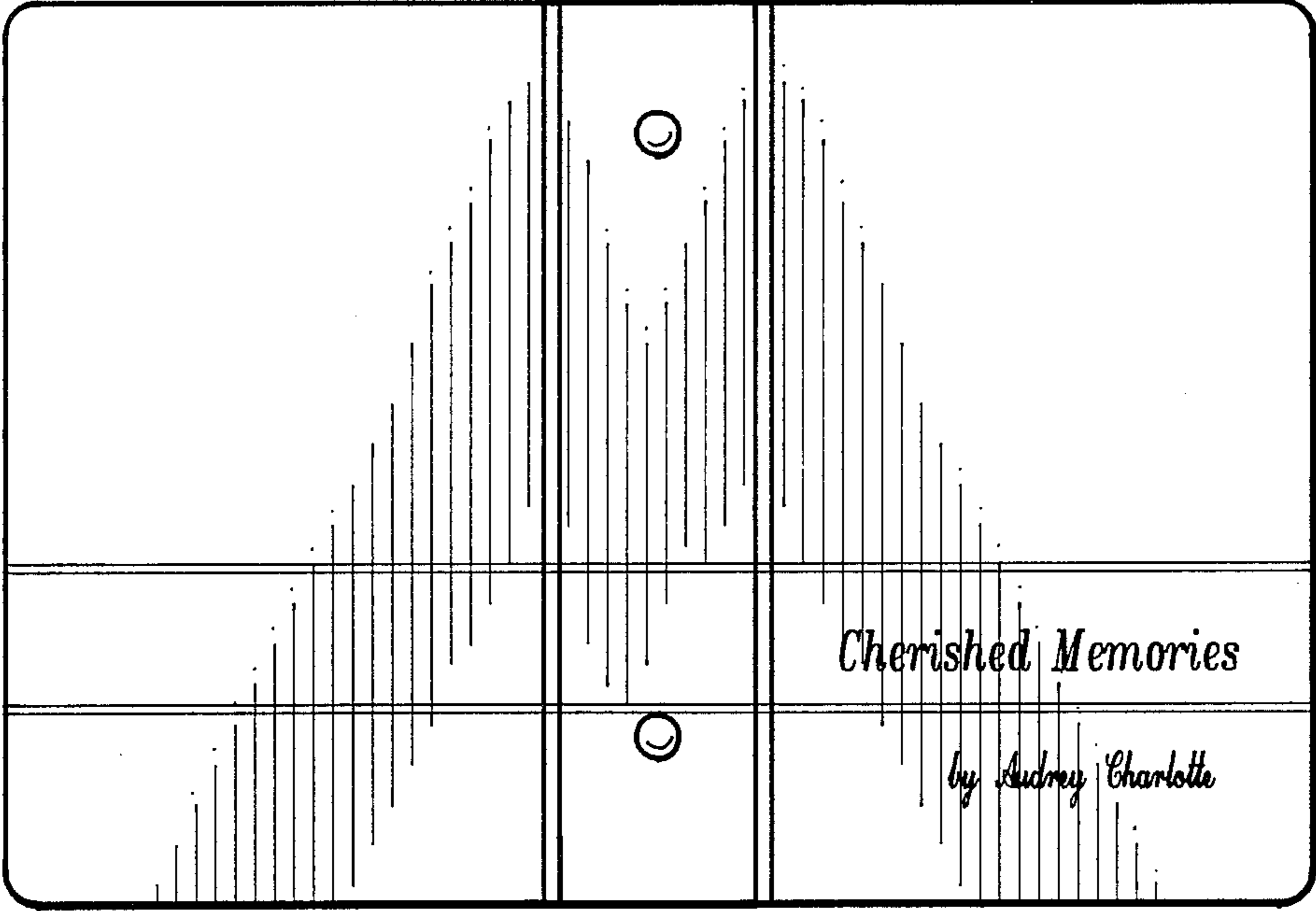


Fig. 2

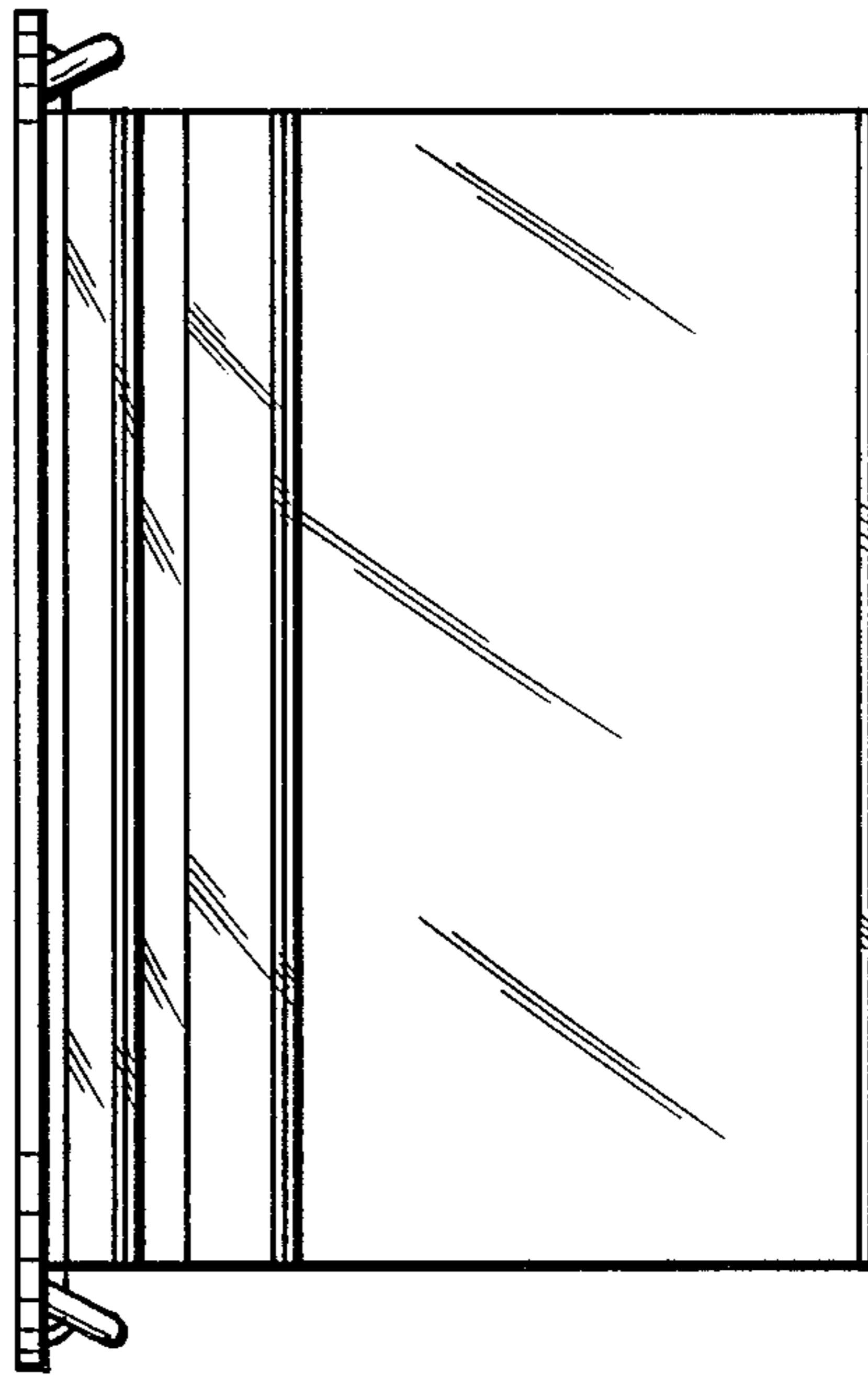


Fig. 3

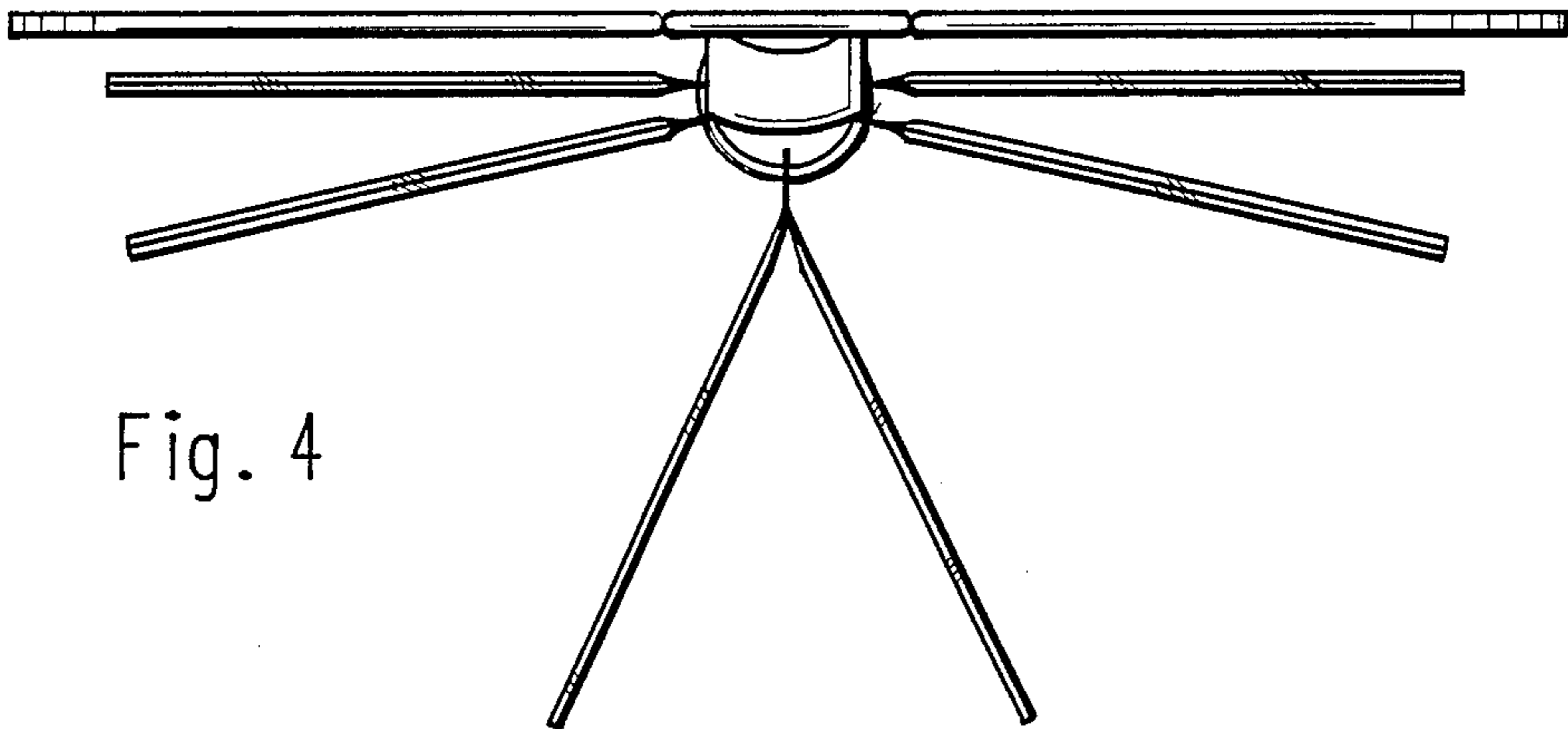


Fig. 4

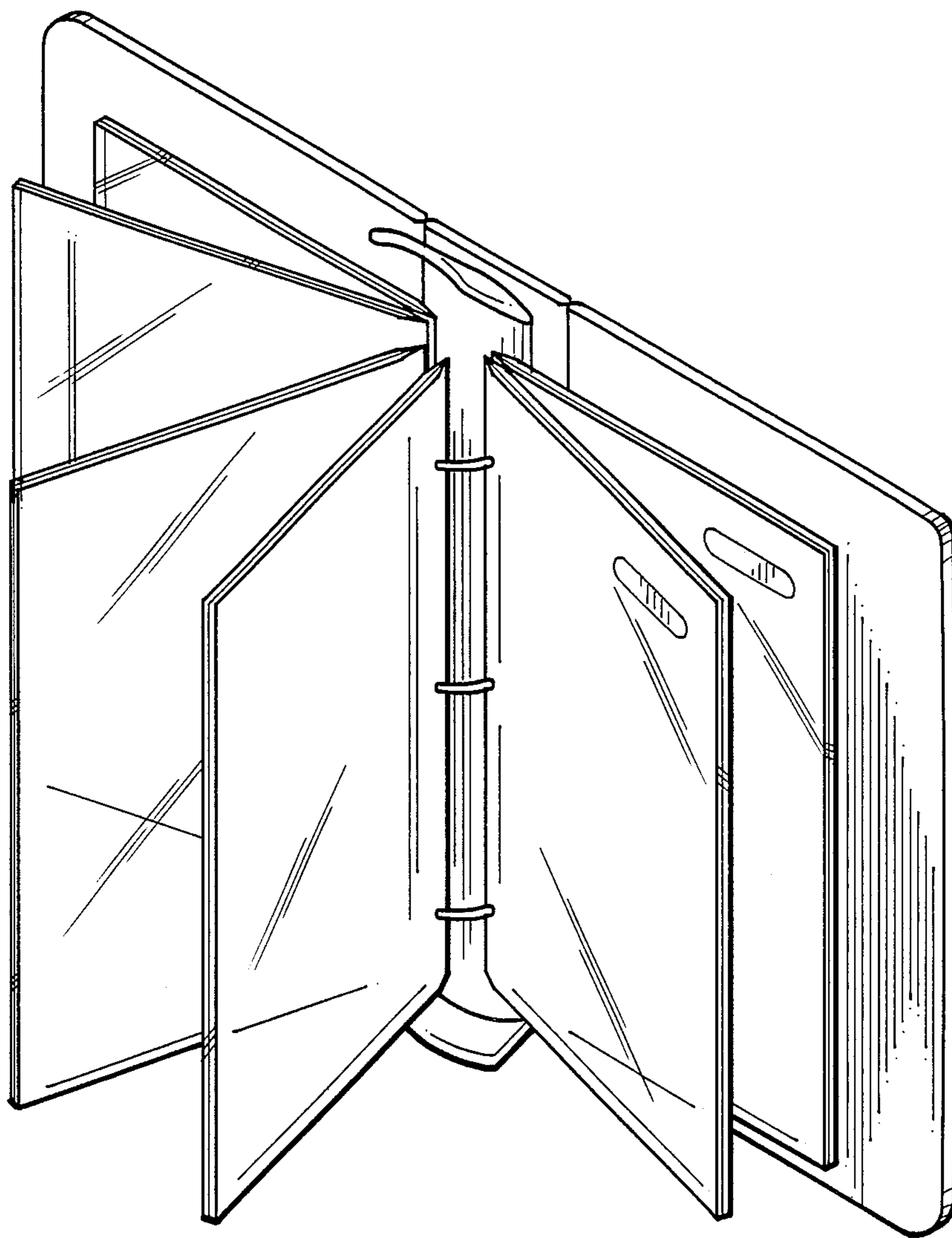


Fig. 5