

[54] PRINTER

[75] Inventor: Toshio Mitsubishi, Narashino, Japan

[73] Assignee: Citizen Watch Co., Ltd., Tokyo, Japan

[**] Term: 14 Years

[21] Appl. No.: 59,483

[22] Filed: Jun. 8, 1987

[30] Foreign Application Priority Data

Feb. 12, 1987 [JP] Japan 62-4711

[52] U.S. Cl. D18/13

[58] Field of Search D18/13; D14/111

[56] References Cited

U.S. PATENT DOCUMENTS

- D. 278,714 5/1985 Maruyama D14/111
- D. 283,823 5/1986 Mitsubishi .
- D. 284,012 5/1986 Mitsubishi .
- D. 290,361 6/1987 Nagamatsu et al. D14/111
- D. 290,967 7/1987 Mochizuki D18/13
- D. 292,977 12/1987 Ikeda .
- D. 293,681 1/1988 Yamada D14/111
- D. 297,844 9/1988 Sugimoto D14/111

FOREIGN PATENT DOCUMENTS

- 59-14042 4/1984 Japan .
- 59-31028 7/1984 Japan .
- 59-39362 9/1984 Japan .
- 60-31005 7/1985 Japan .
- 60-35782 8/1985 Japan .

- 658900 8/1985 Japan .
- 61-4213 2/1986 Japan .
- 61-8364 3/1986 Japan .
- 61-23116 6/1986 Japan .
- 61-43539 11/1986 Japan .
- 693717 12/1986 Japan .
- 695207 12/1986 Japan .
- 62-4710 2/1987 Japan .
- 62-4711 2/1987 Japan .
- 62-5043 2/1987 Japan .
- 731719 5/1988 Japan .
- 739181 7/1988 Japan .
- 753153 1/1989 Japan .
- 753242 1/1989 Japan .

Primary Examiner—James R. Largen
Assistant Examiner—Cathy Anne MacCormac
Attorney, Agent, or Firm—Cushman, Darby & Cushman

[57] CLAIM

The ornamental design for a printer, as shown and described.

DESCRIPTION

FIG. 1 is a right side, top and front perspective view of a printer showing my new design, FIG. 2 is a left side, bottom and rear perspective view thereof, FIG. 3 is a top plan view thereof, FIG. 4 is a bottom plan view thereof, FIG. 5 is a front elevational view thereof, FIG. 6 is a rear elevational view thereof, FIG. 7 is a right side elevational view thereof; and FIG. 8 is a left side elevational view thereof.

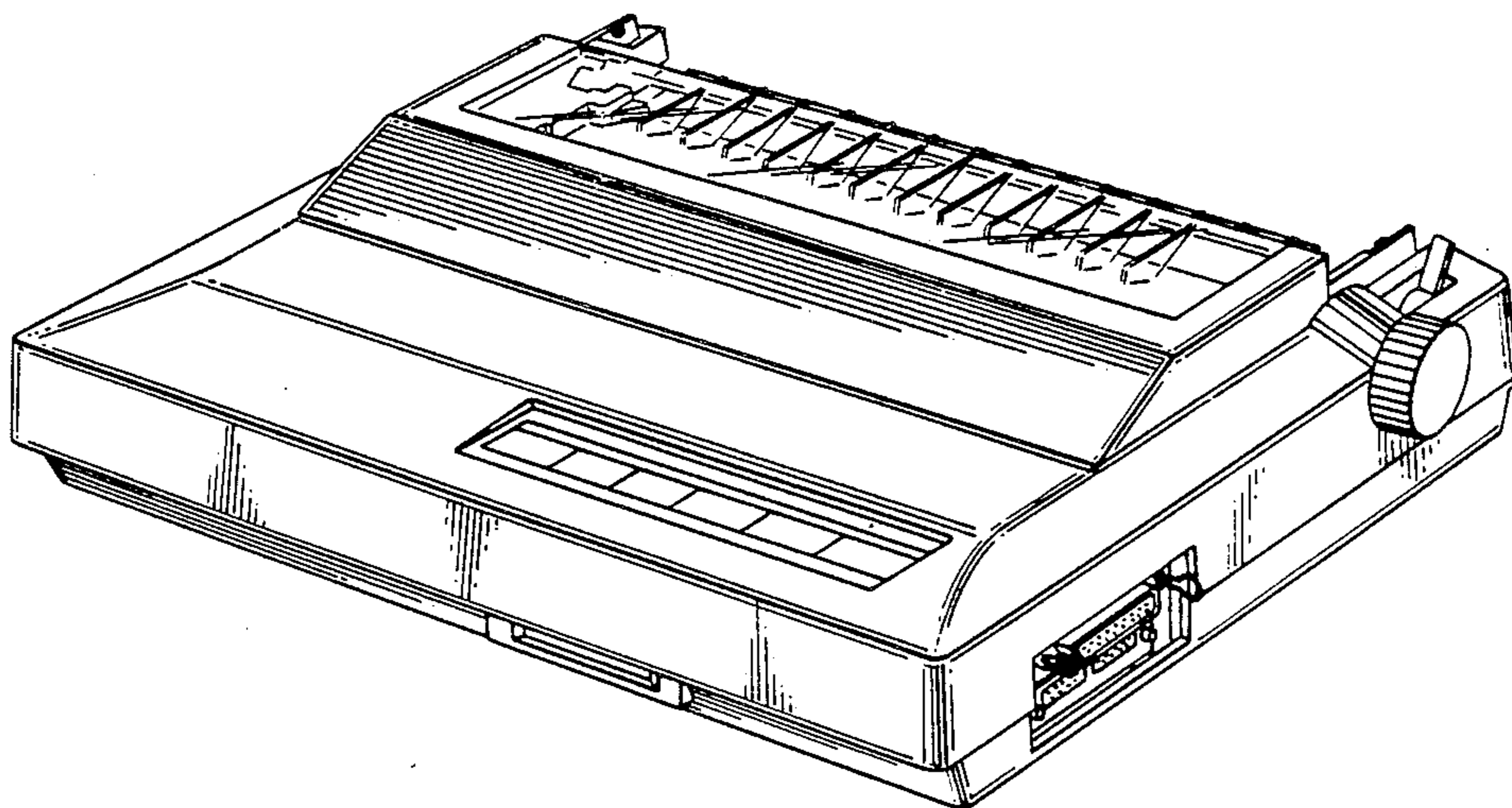


FIG. 1

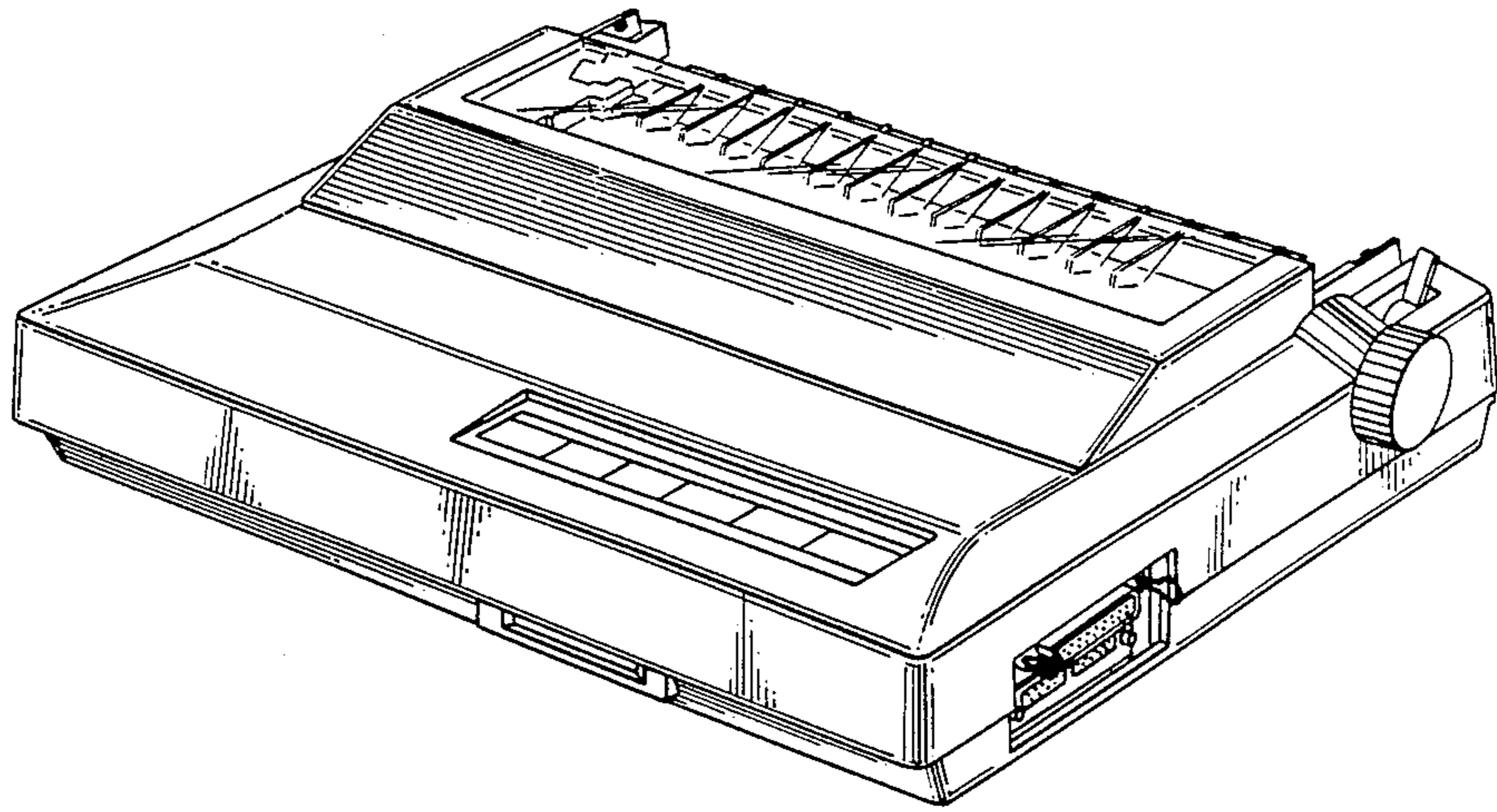


FIG. 2

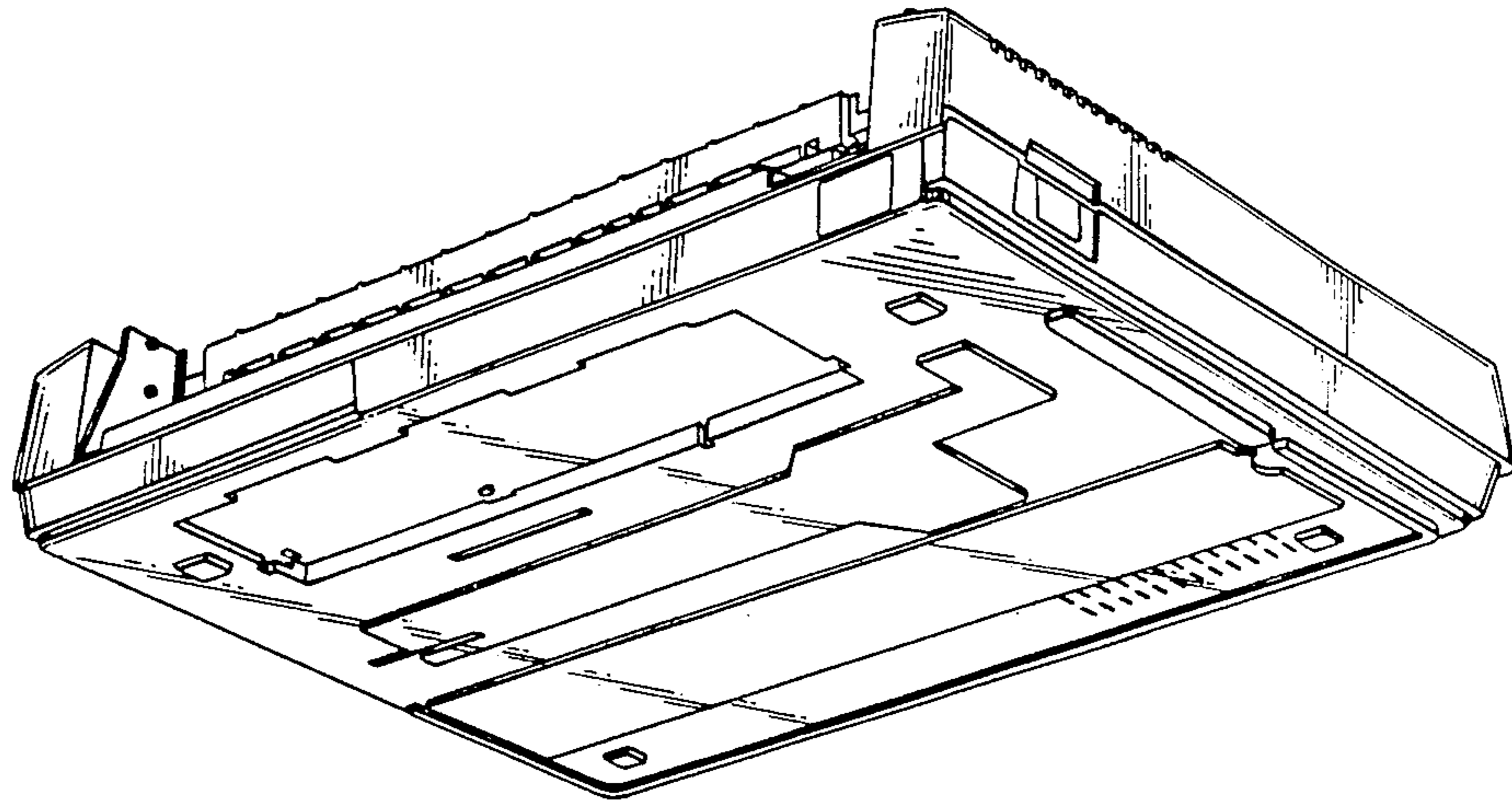


FIG. 3

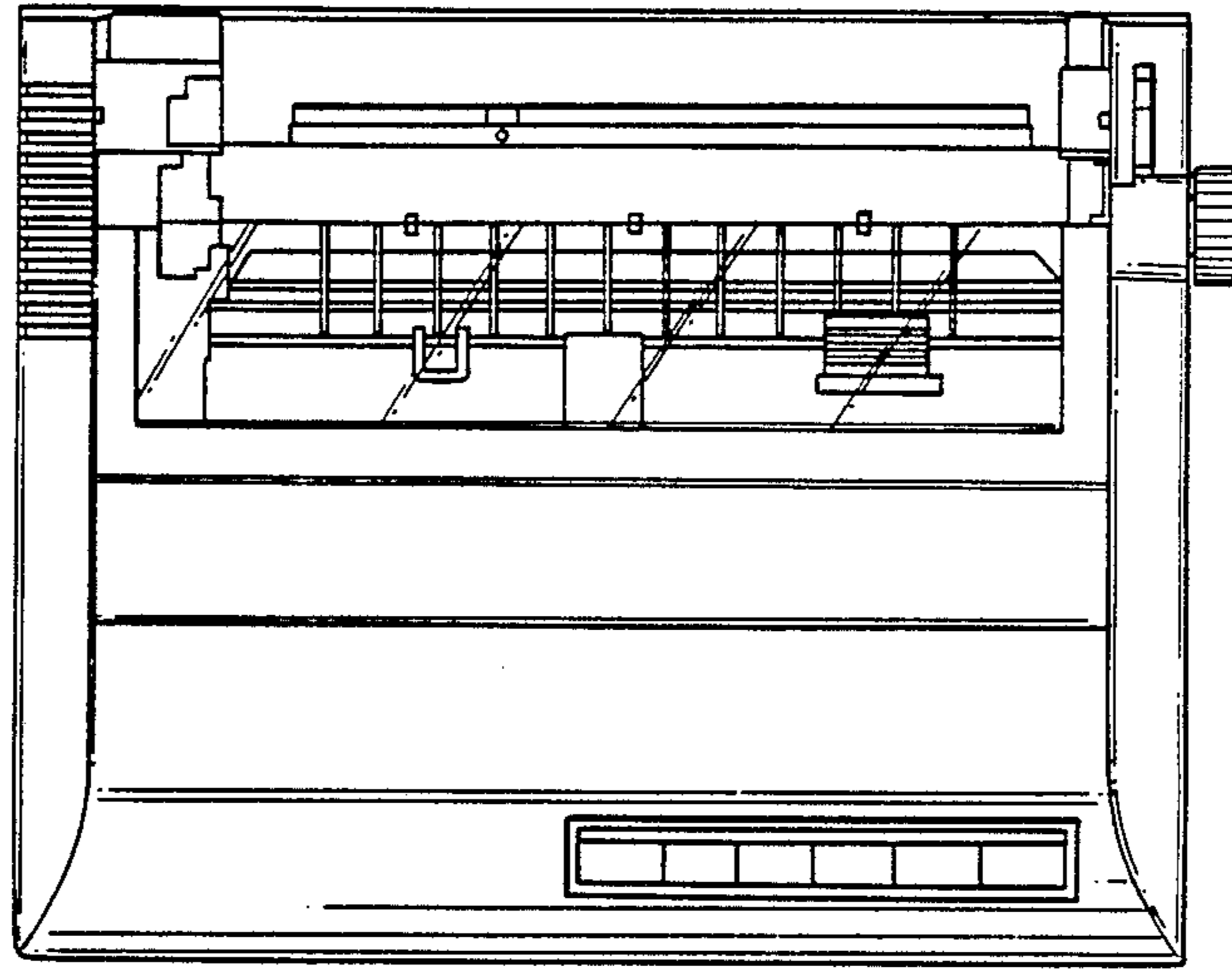


FIG. 4

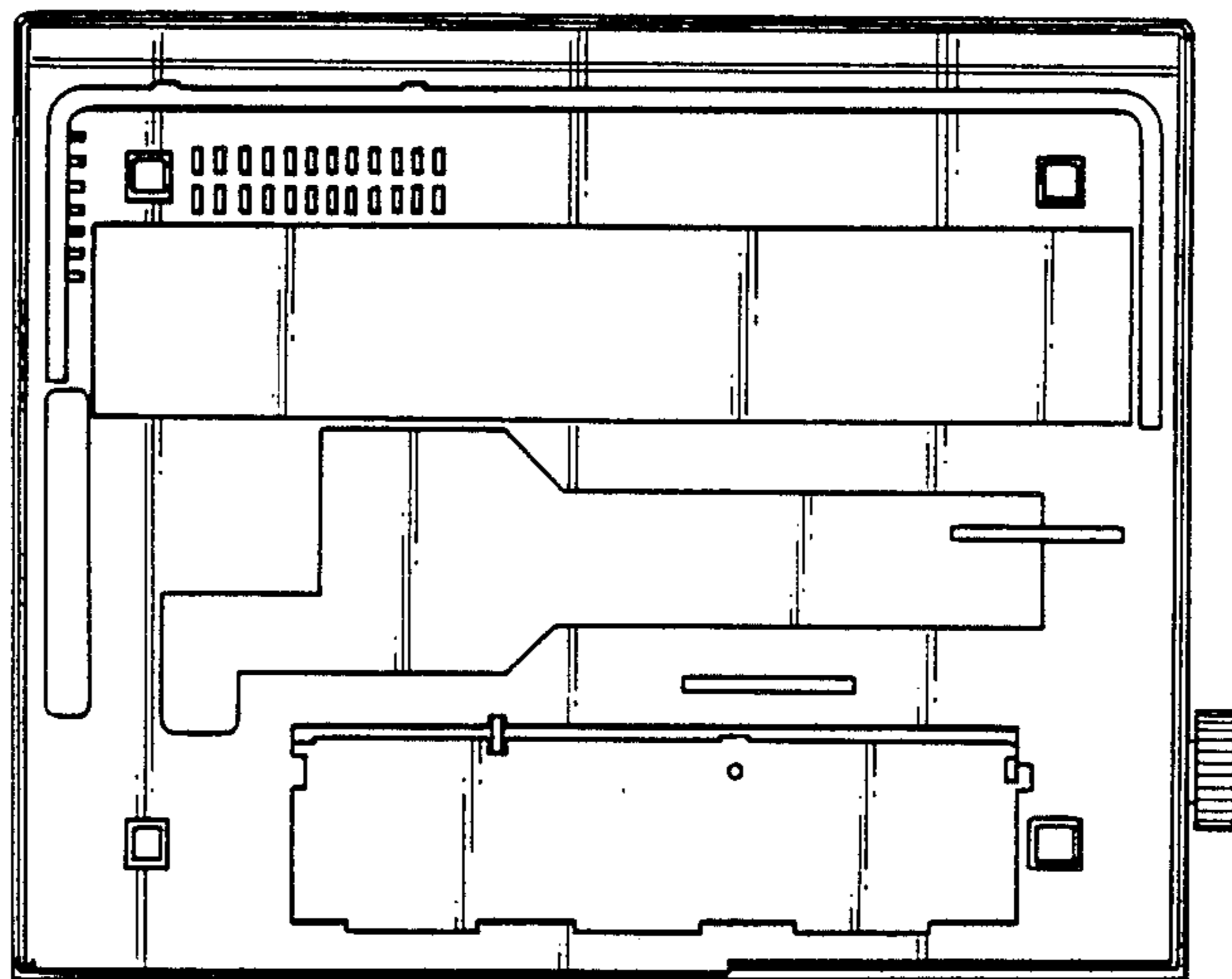


FIG.5

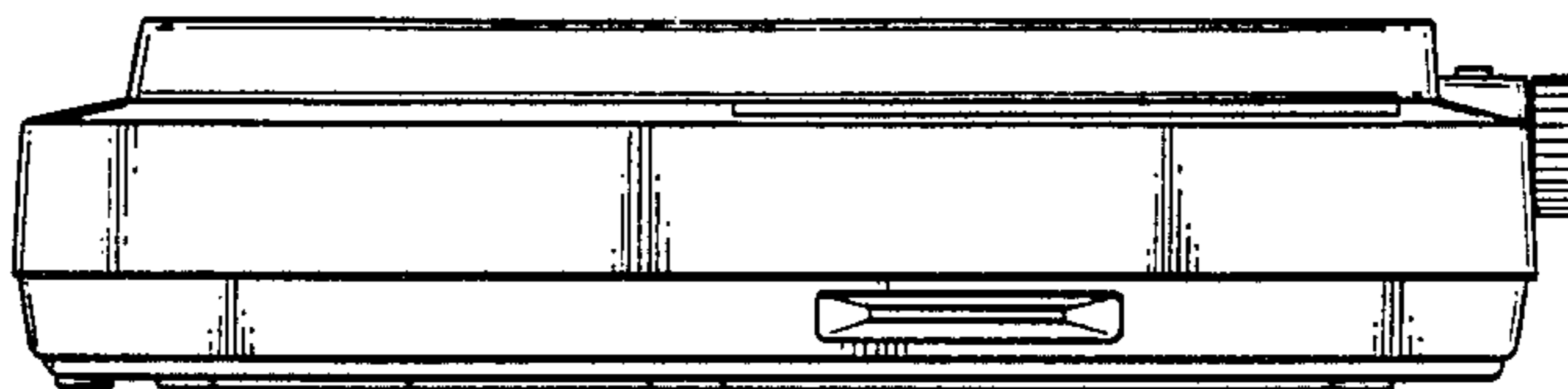


FIG.6

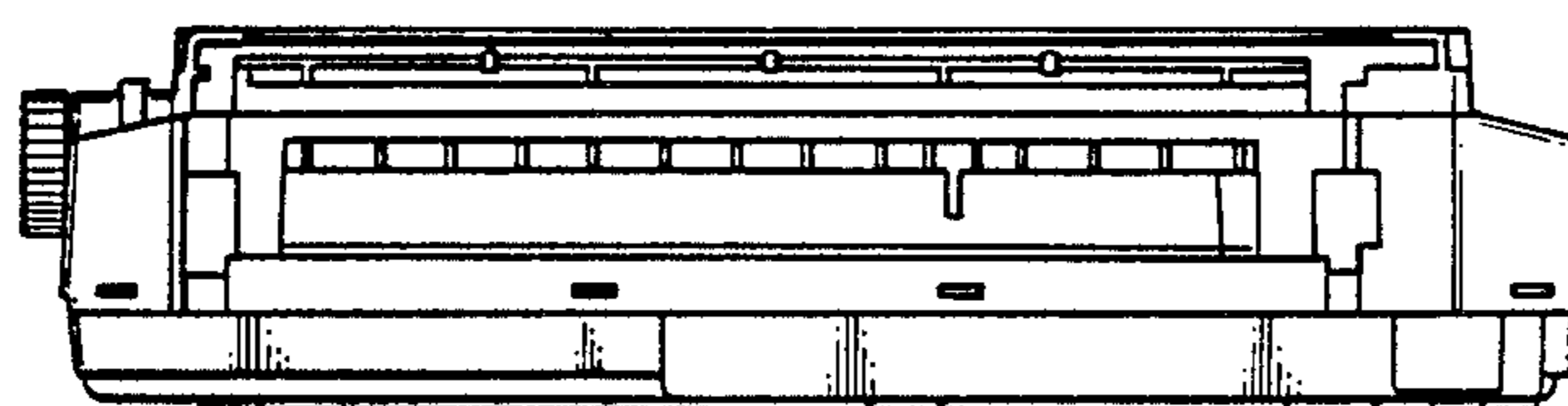


FIG.7

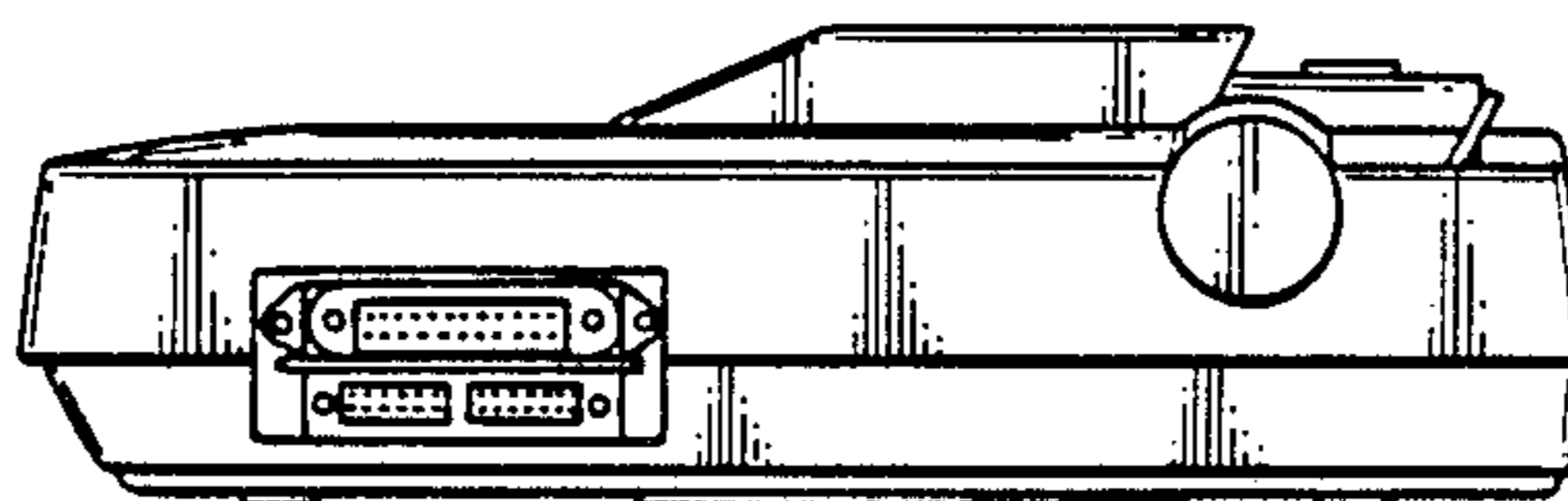


FIG.8

