

# United States Patent [19]

Nakayama et al.

[11] Patent Number: **Des. 311,201**

[45] Date of Patent: **\*\* Oct. 9, 1990**

[54] **DRUM HOLDER CLAMP**

[75] Inventors: **Masamichi Nakayama, Nagoya;**  
**Yoshiki Hoshino, Owariasahi, both of**  
**Japan**

[73] Assignee: **Hoshino Gakki Co., Ltd., Japan**

[\*\*] Term: **14 Years**

[21] Appl. No.: **11,225**

[22] Filed: **Feb. 5, 1987**

[52] U.S. Cl. .... **D17/22; D8/396**

[58] Field of Search ..... **D17/22; D8/382, 394-396;**  
**84/411 R, 413, 415, 421, DIG. 3; 248/225.31,**  
**229, 231.6, 288.5**

[56] **References Cited**

**U.S. PATENT DOCUMENTS**

D. 213,803	4/1969	Thomas et al. ....	D8/395
D. 254,140	2/1980	Kuipers .....	D17/22
3,626,458	12/1971	Zickos .....	84/411
4,593,596	6/1986	Gauger .....	D17/22

4,596,176	6/1986	Gauger .....	84/421
4,747,569	5/1988	Hoshino .....	84/421
4,796,508	1/1989	Hoshino .....	84/421

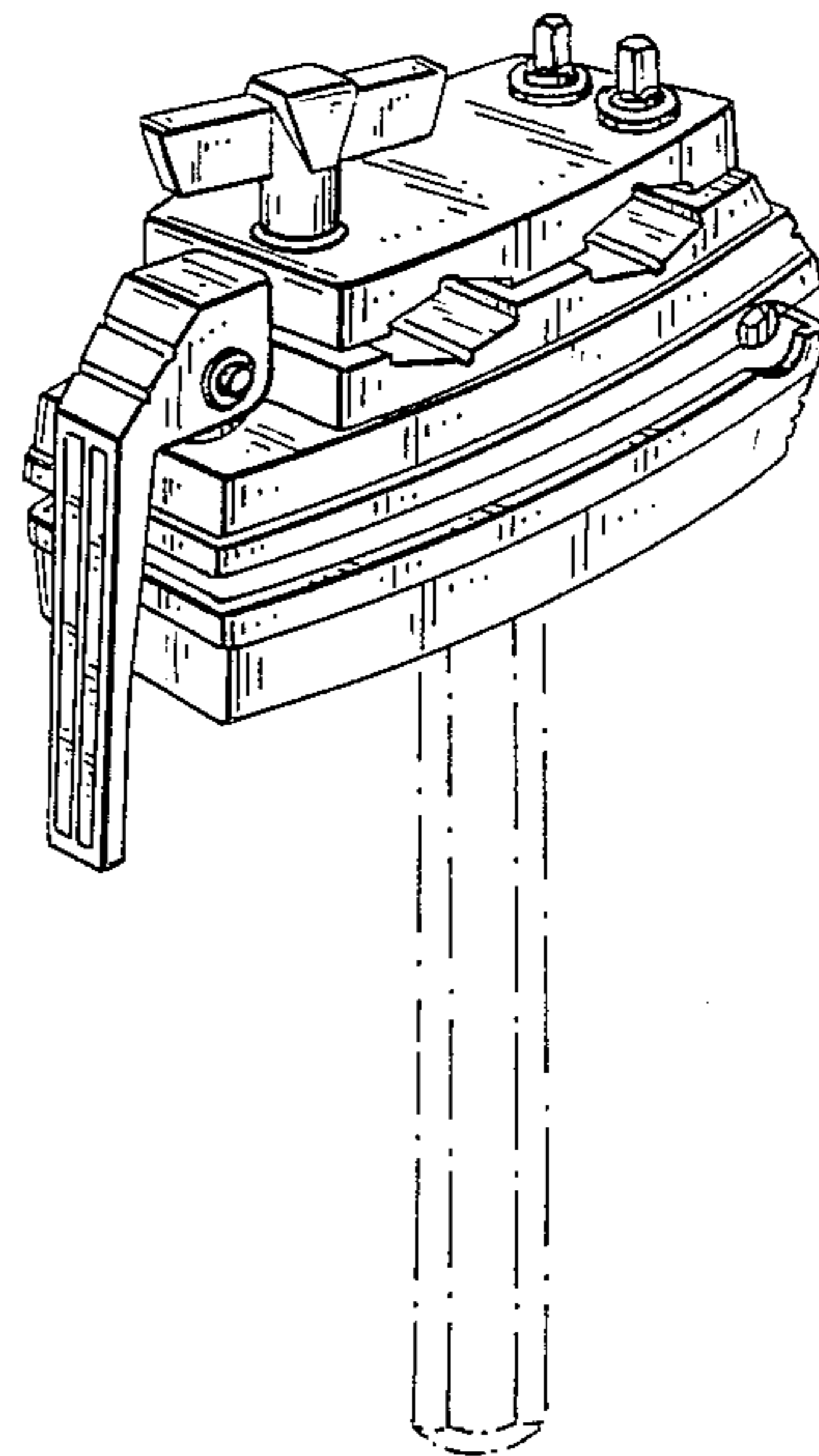
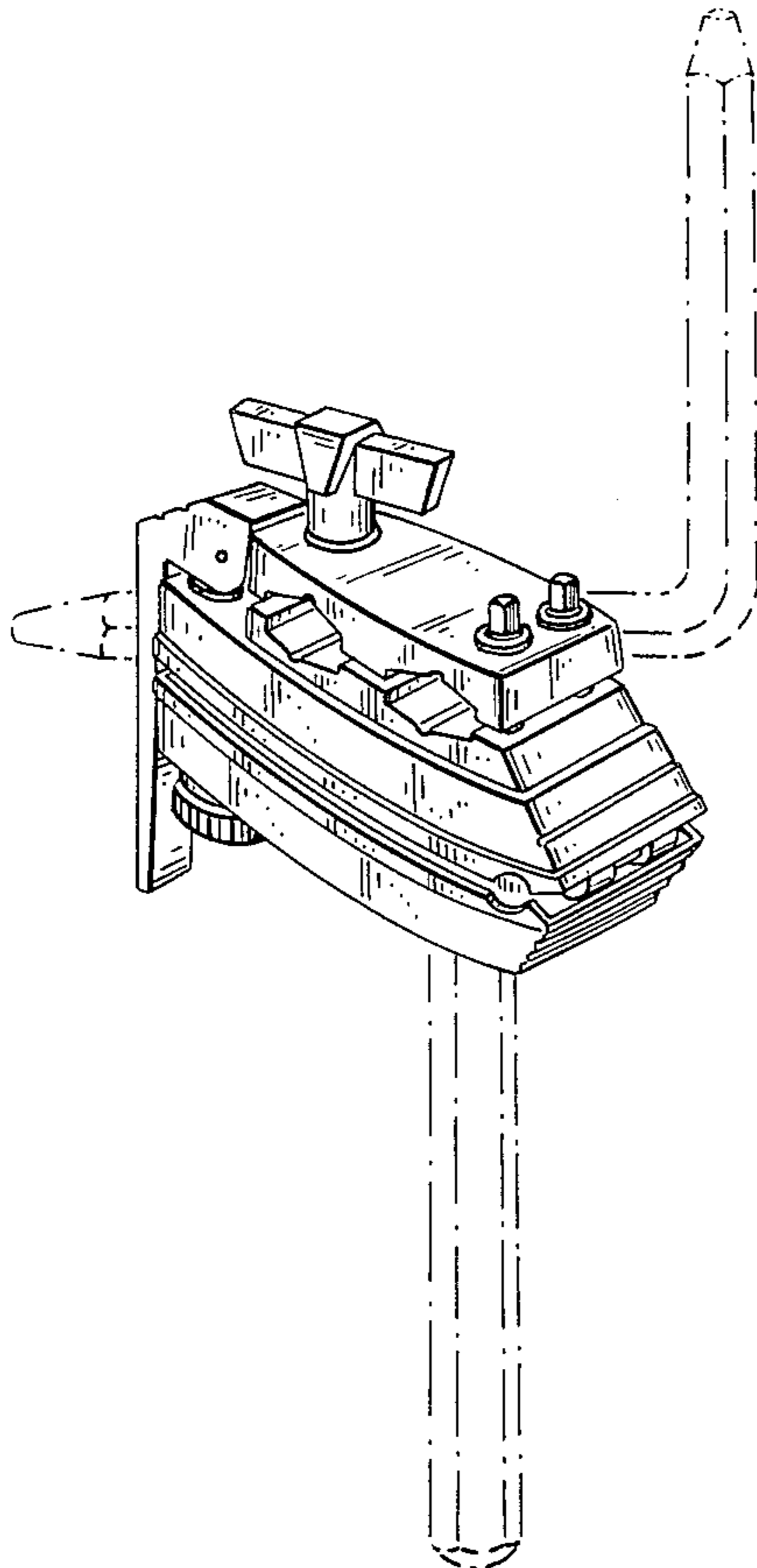
*Primary Examiner*—**B. J. Bullock**  
*Attorney, Agent, or Firm*—**Ostrolenk, Faber, Gerb & Soffen**

[57] **CLAIM**

The ornamental design for a drum holder clamp, as shown and described.

**DESCRIPTION**

FIG. 1 is a top, front perspective view of a drum holder clamp showing my new design;  
FIG. 2 is an enlarged front view thereof;  
FIG. 3 is a top rear perspective view thereof;  
FIG. 4 is an enlarged rear view thereof;  
FIG. 5 is an enlarged top view thereof;  
FIG. 6 is an enlarged right side view thereof, the left side view being a mirror image; and  
FIG. 7 is an enlarged bottom view thereof.  
The broken lines in FIGS. 1, 3 and 6 are for illustrative purposes only.



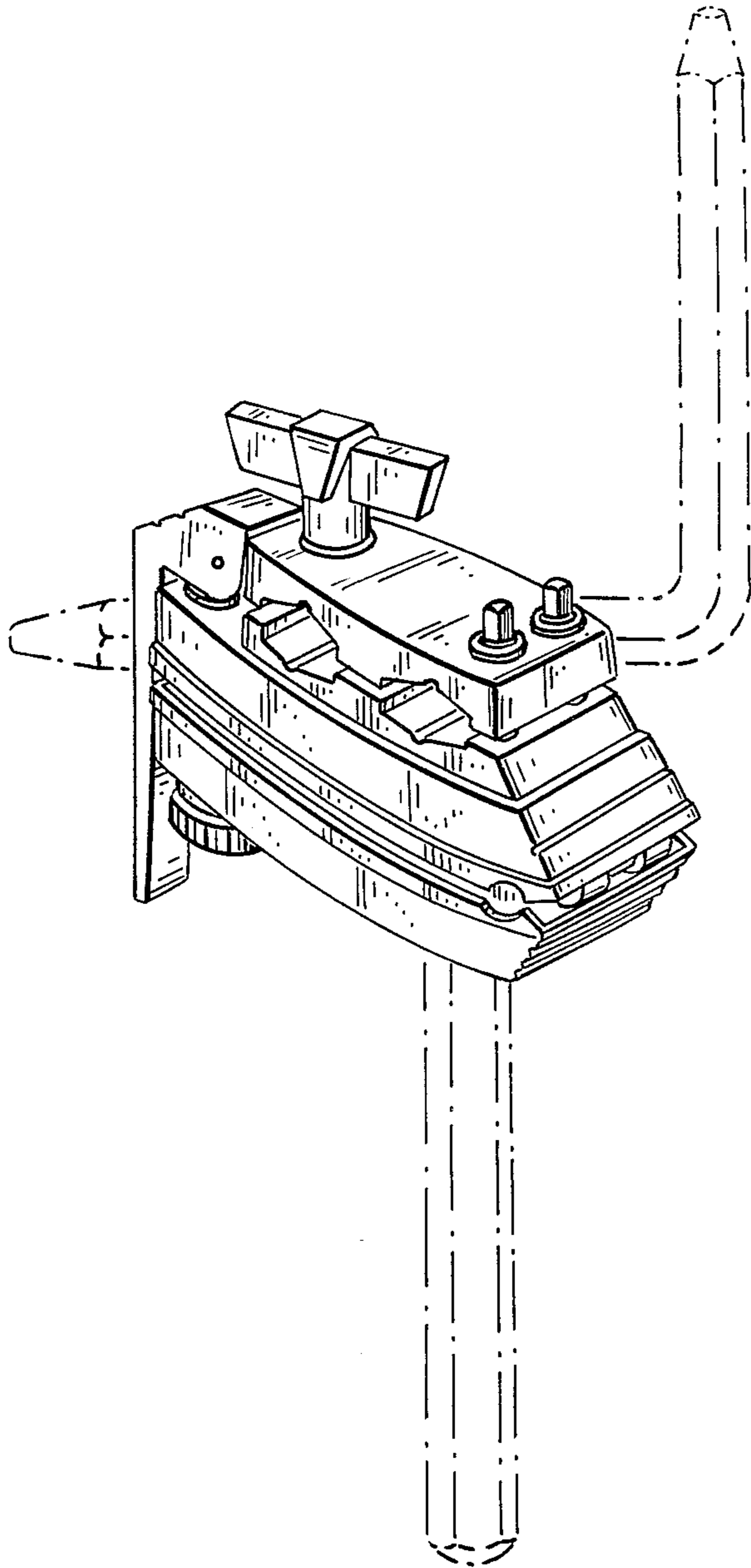


FIG. 1.

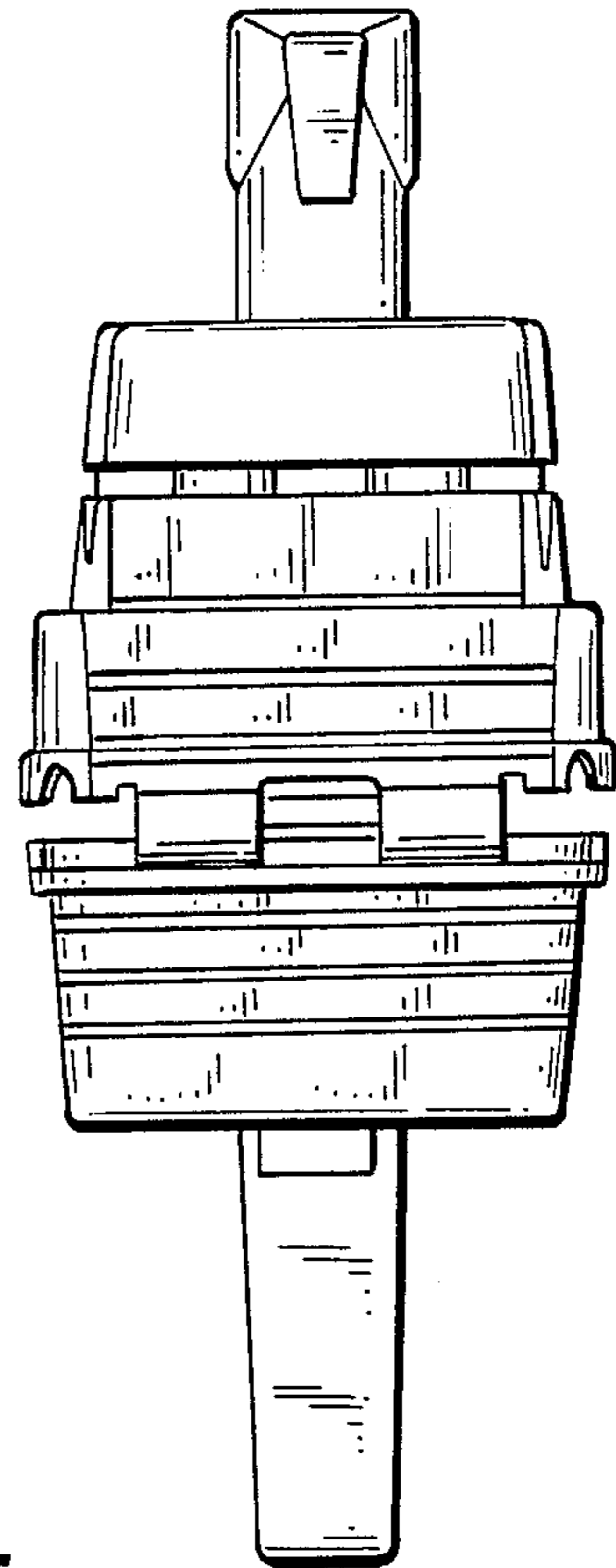


FIG. 2.

FIG. 3.

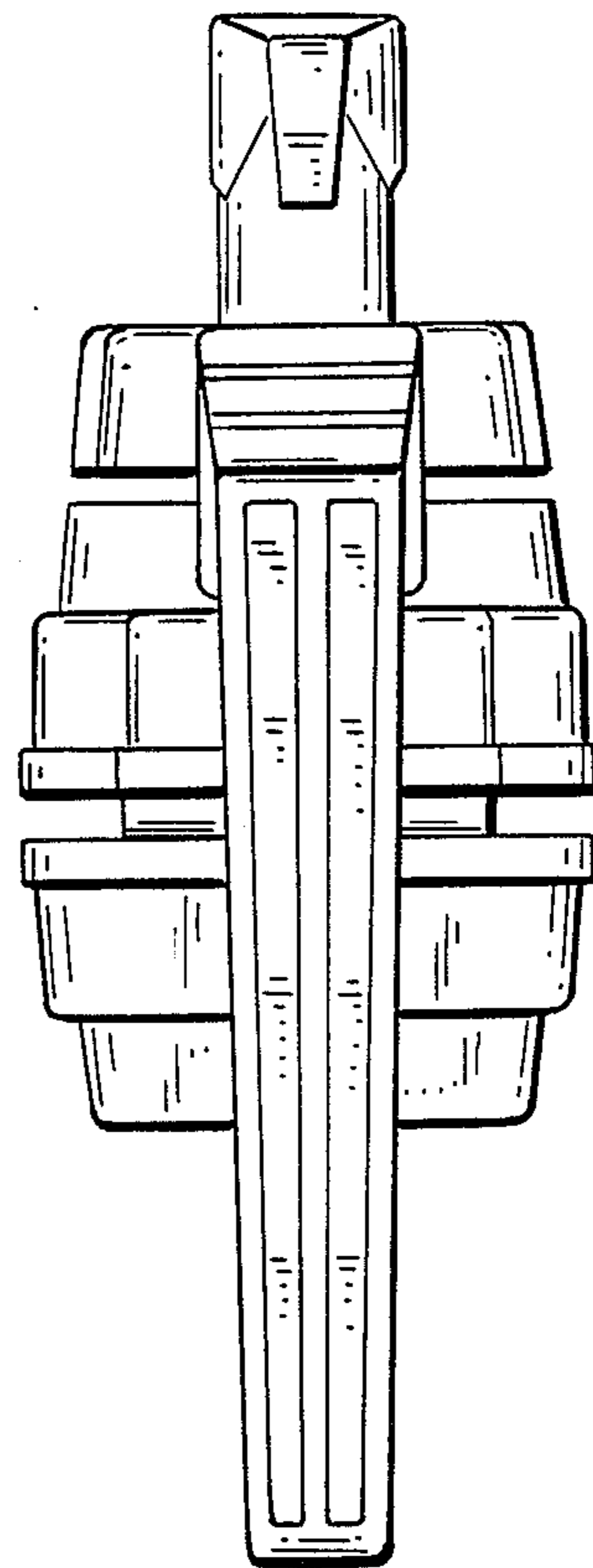
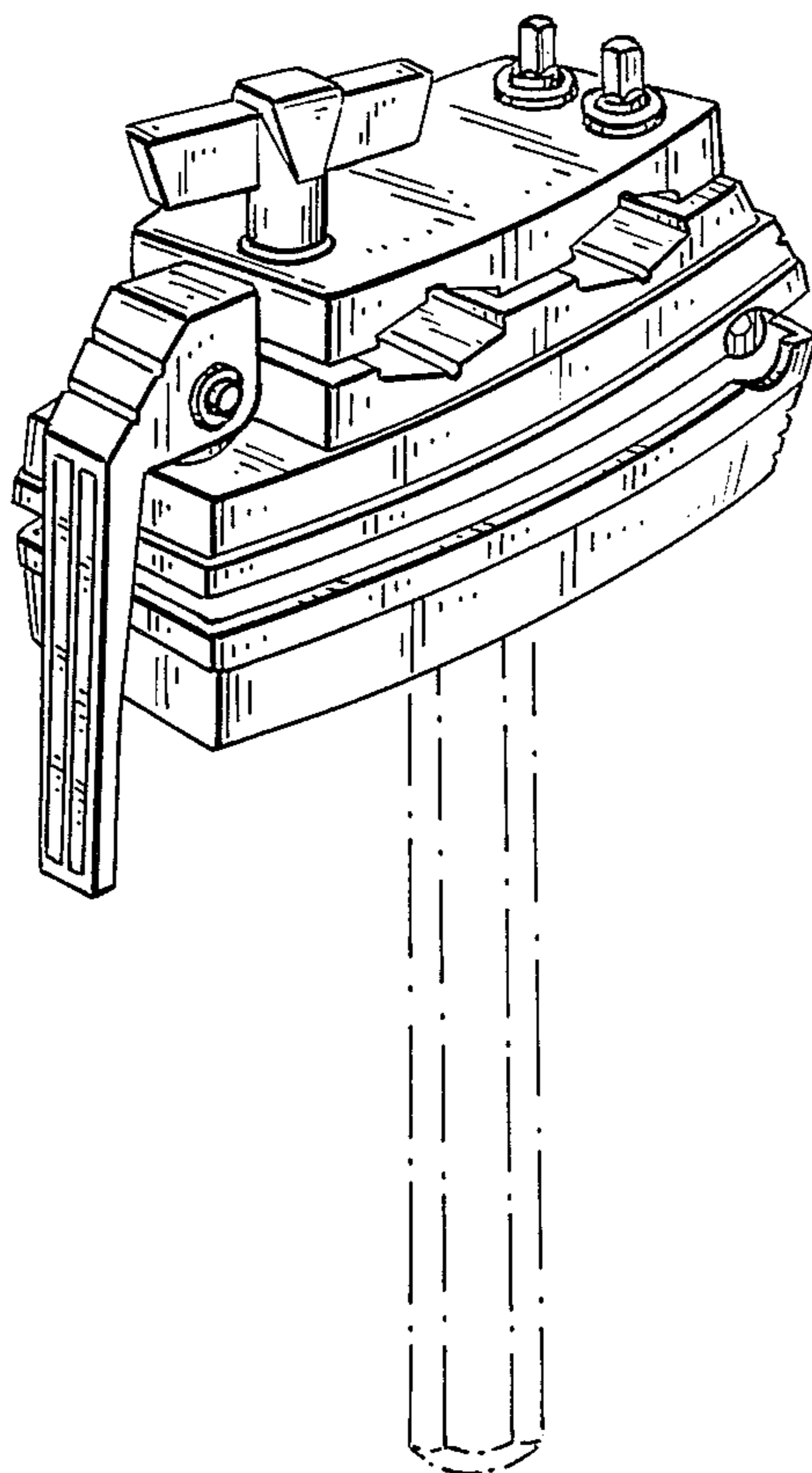


FIG. 4.

FIG. 5.

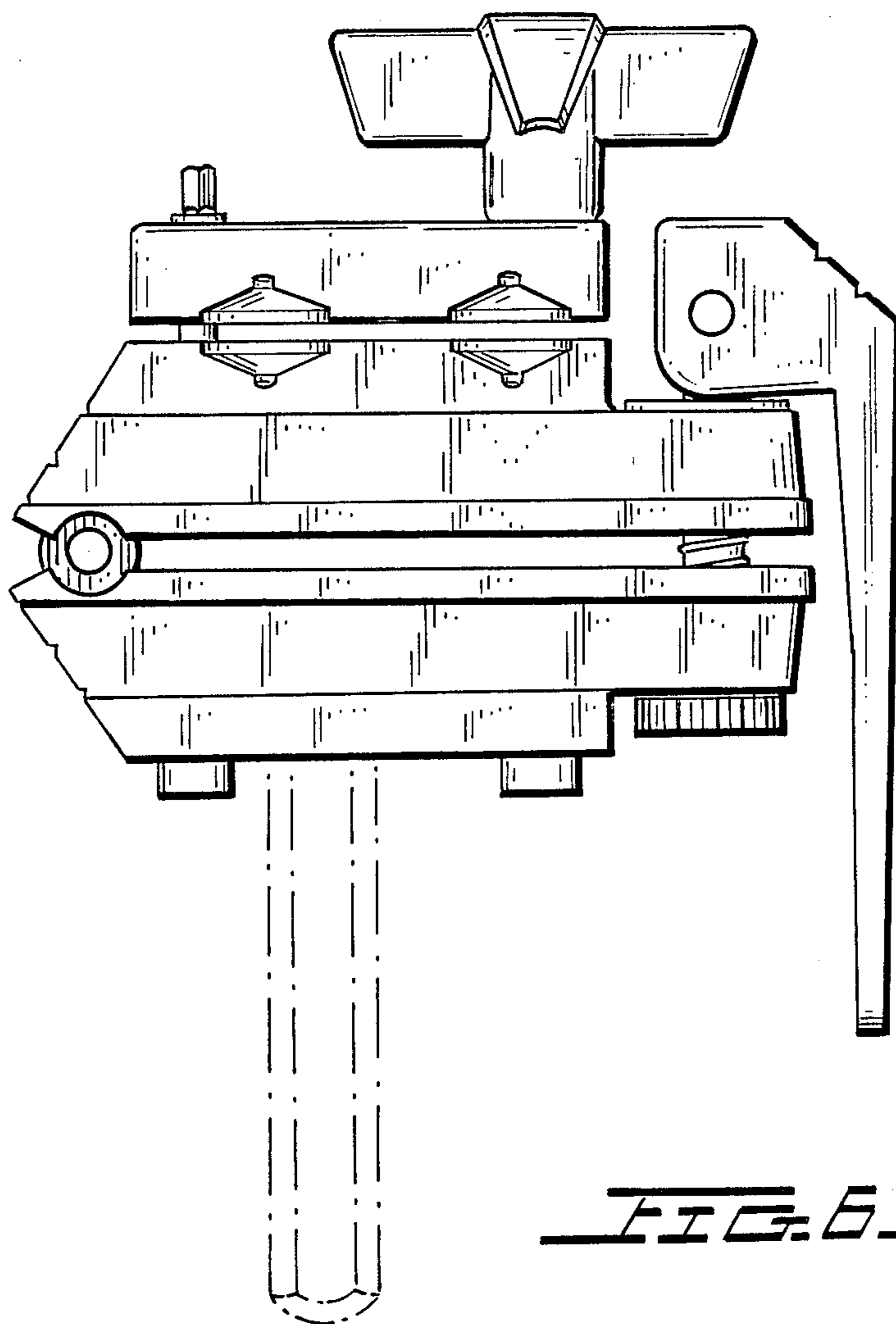
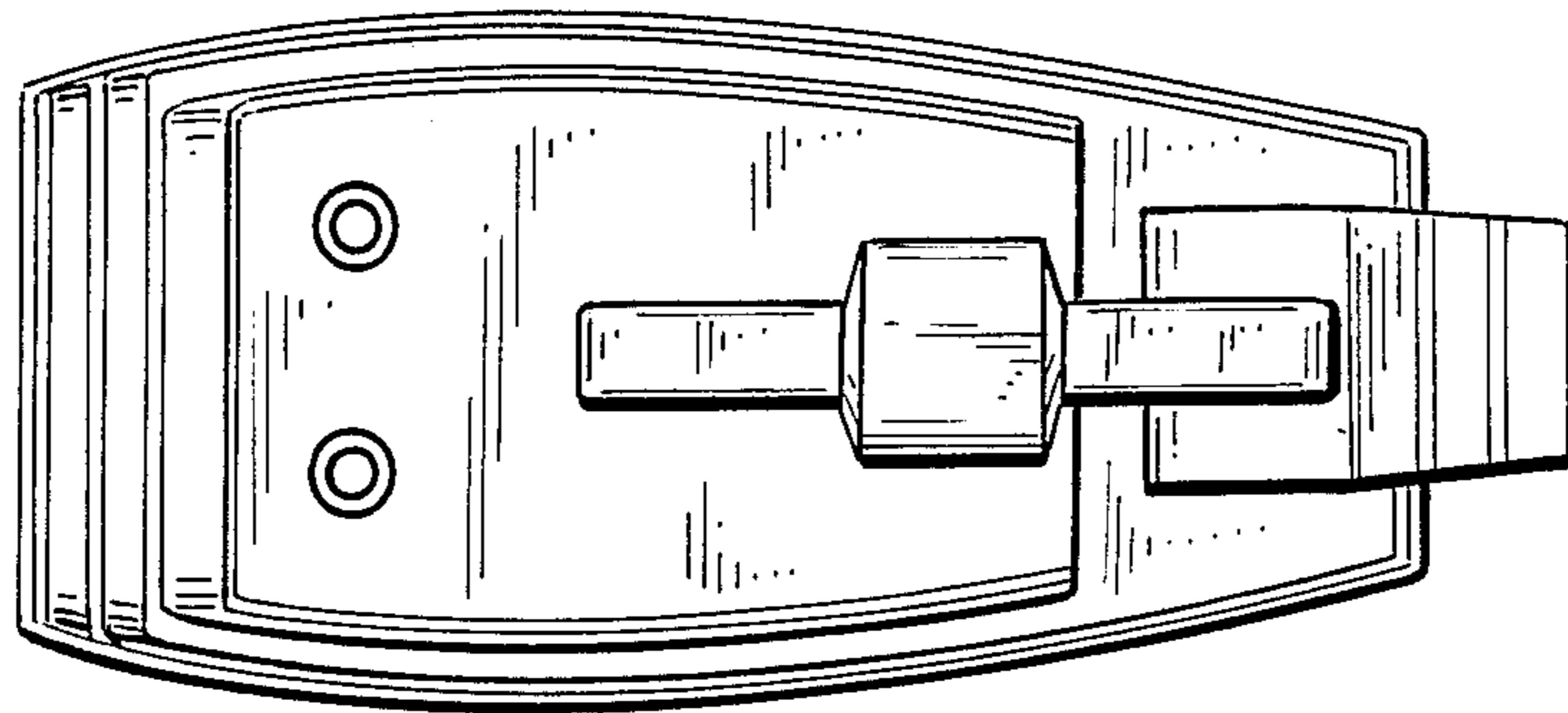


FIG. 6.

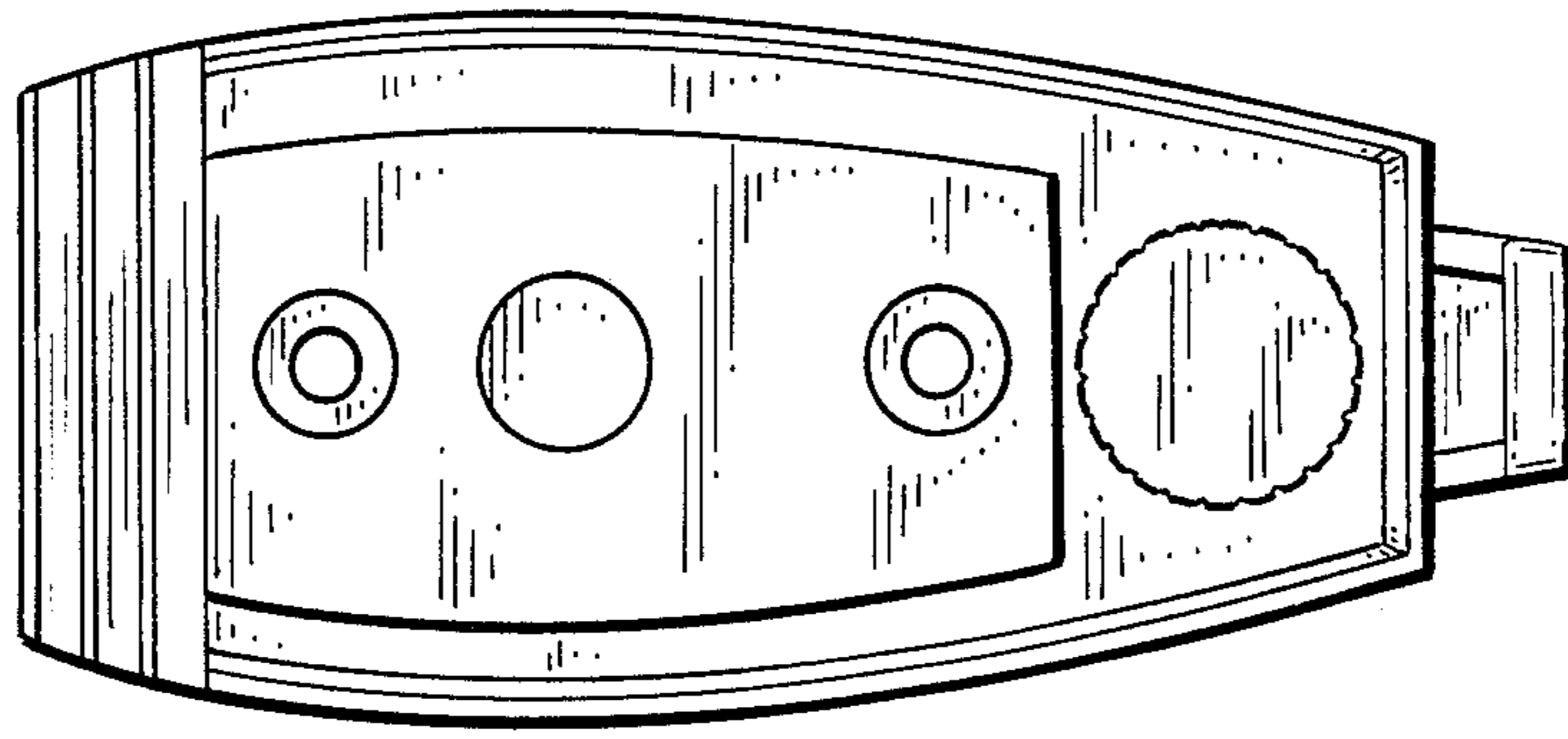


FIG. 7