

# United States Patent [19]

Nakayama et al.

[11] Patent Number: **Des. 311,200**

[45] Date of Patent: **\*\* Oct. 9, 1990**

[54] **DRUM HOLDER MOUNT**

[75] Inventors: **Masamichi Nakayama, Nagoya;**  
**Yoshiki Hoshino, Owariasahi, both of**  
**Japan**

[73] Assignee: **Hoshino Gakki Co., Ltd., Japan**

[\*\*] Term: **14 Years**

[21] Appl. No.: **11,224**

[22] Filed: **Feb. 5, 1987**

[52] U.S. Cl. .... **D17/22; D8/349;**  
**D8/373**

[58] Field of Search ..... **D17/22; D8/349, 354,**  
**D8/382, 394-396, 373; 84/411 R, 413, 415, 421,**  
**DIG. 3; 248/225.31, 229, 231.6, 288.5, 519**

[56] **References Cited**

**U.S. PATENT DOCUMENTS**

D. 279,103 6/1985 Ayotte ..... D17/22  
3,626,458 12/1971 Zichos ..... 84/411

3,955,465 5/1976 Zichos ..... 84/411 R  
4,593,596 6/1986 Gauger ..... D17/22  
4,596,176 6/1986 Gauger ..... 84/421  
4,747,569 5/1988 Hoshino ..... 84/421

*Primary Examiner*—B. J. Bullock  
*Attorney, Agent, or Firm*—Ostrolenk, Faber, Gerb &  
Soffen

[57] **CLAIM**

The ornamental design for a drum holder mount, as shown and described.

**DESCRIPTION**

FIG. 1 is a top perspective view of a drum holder mount showing my new design;  
FIG. 2 is a bottom view thereof;  
FIG. 3 is a top view thereof;  
FIG. 4 is a right side view thereof, the left side being a mirror image.  
FIG. 5 is a front view thereof; and  
FIG. 6 is a rear view thereof.

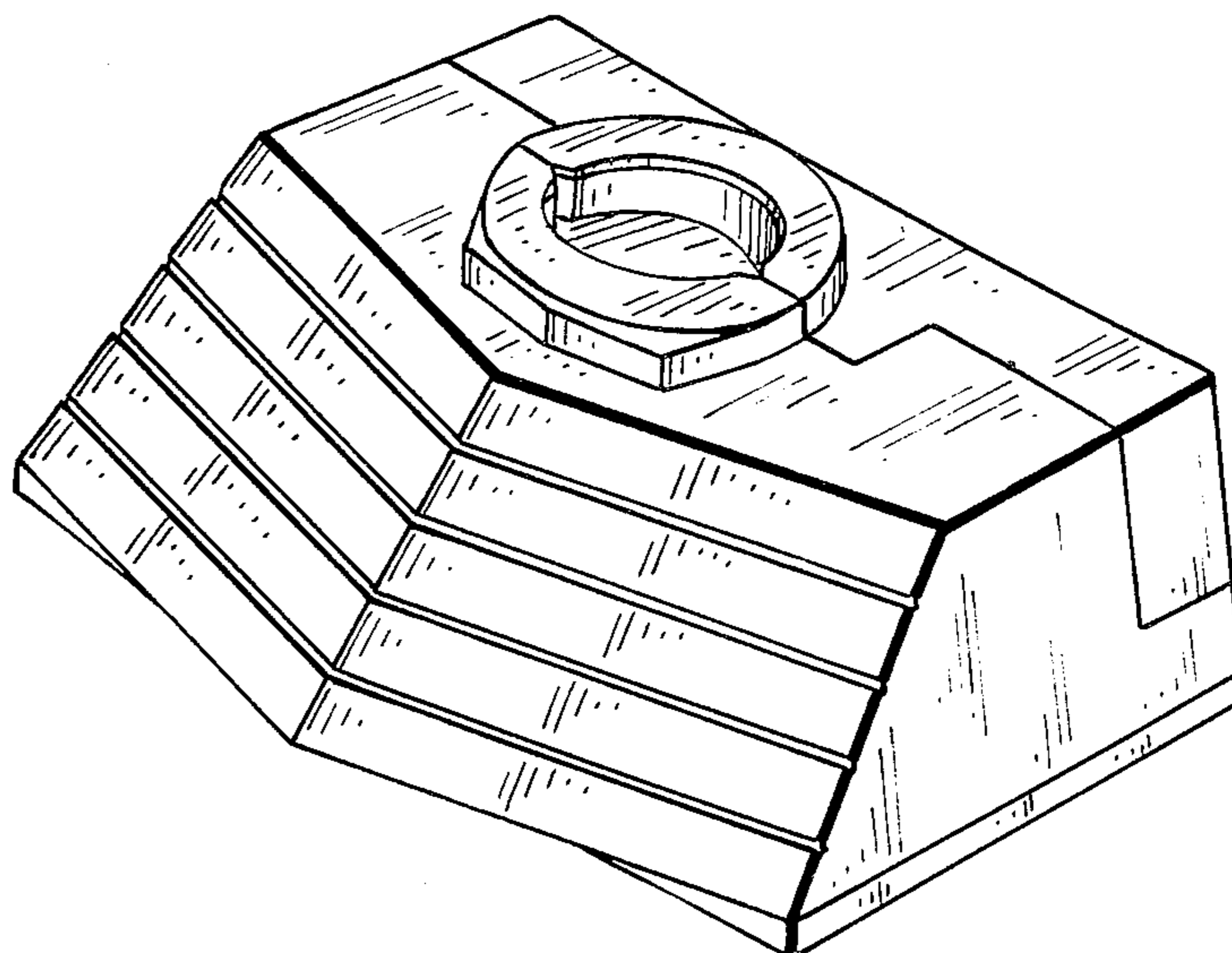


FIG. 1.

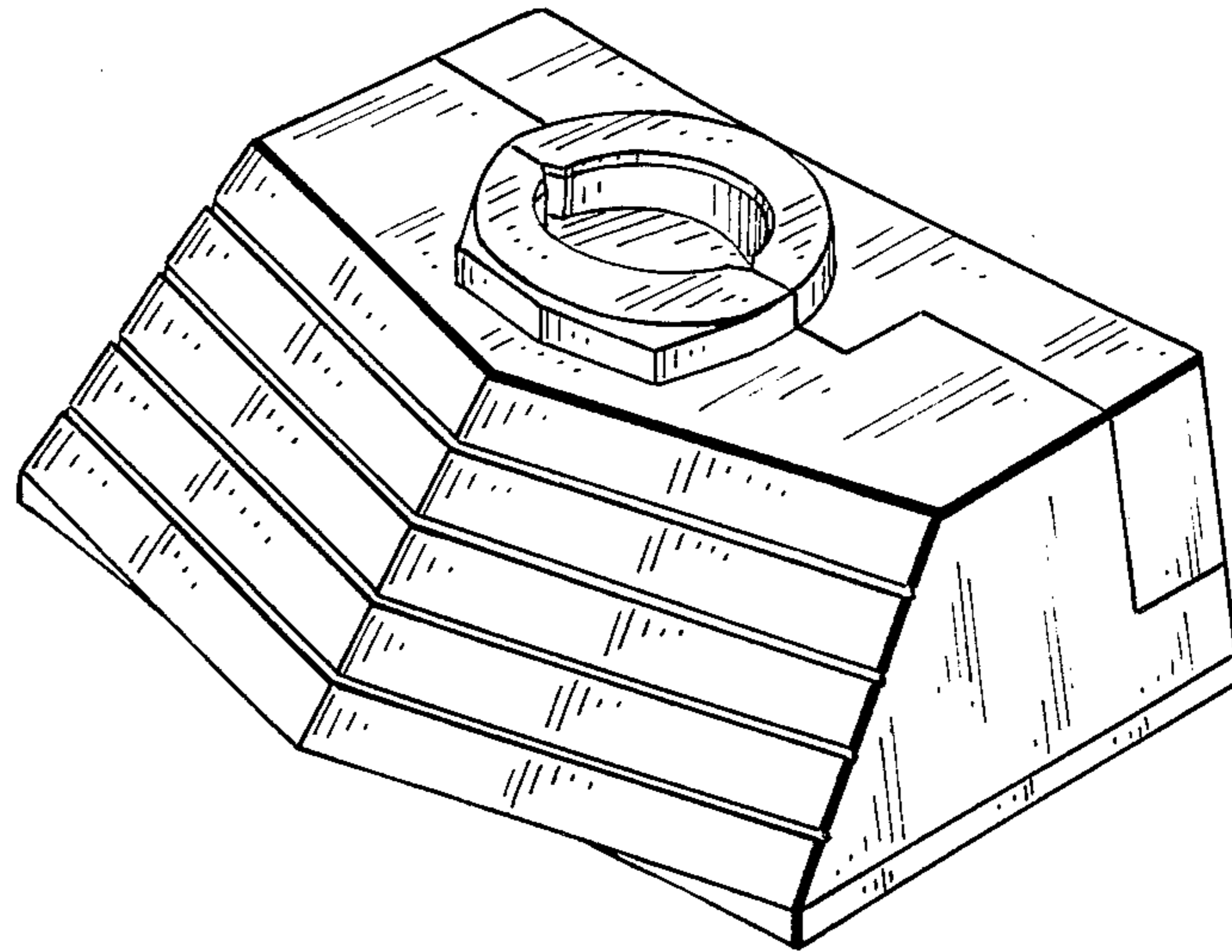


FIG. 2.

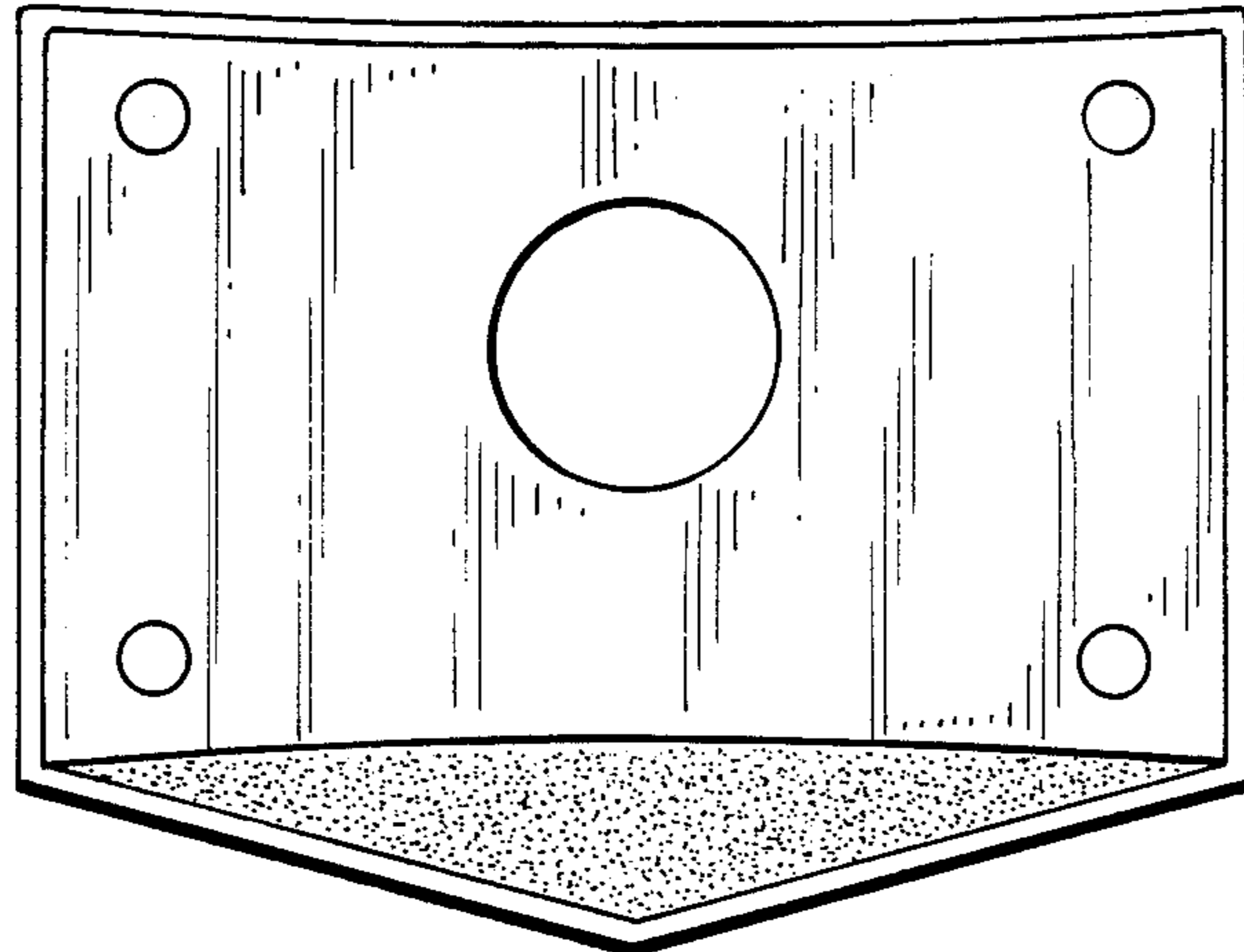


FIG. 3.

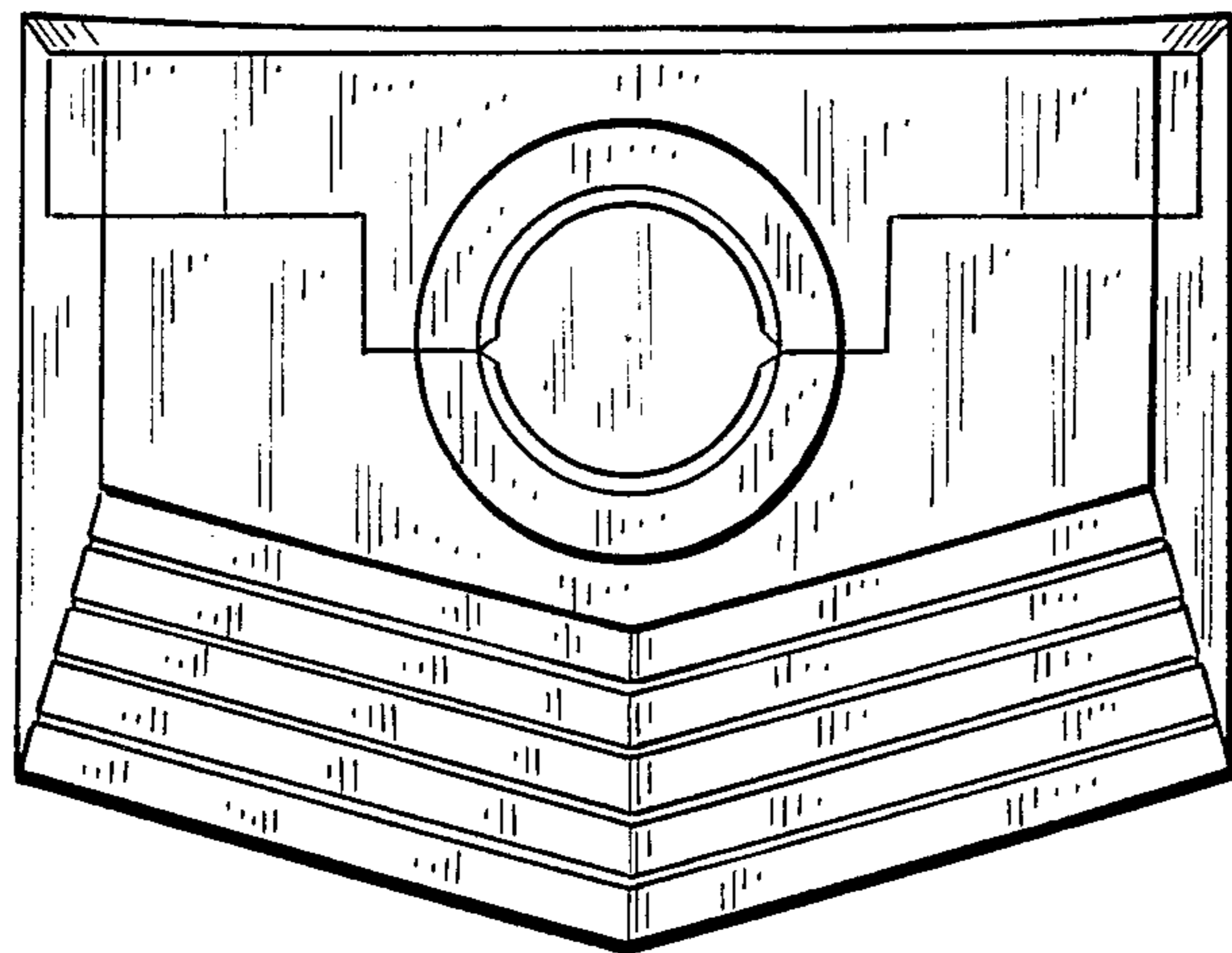


FIG. 4.

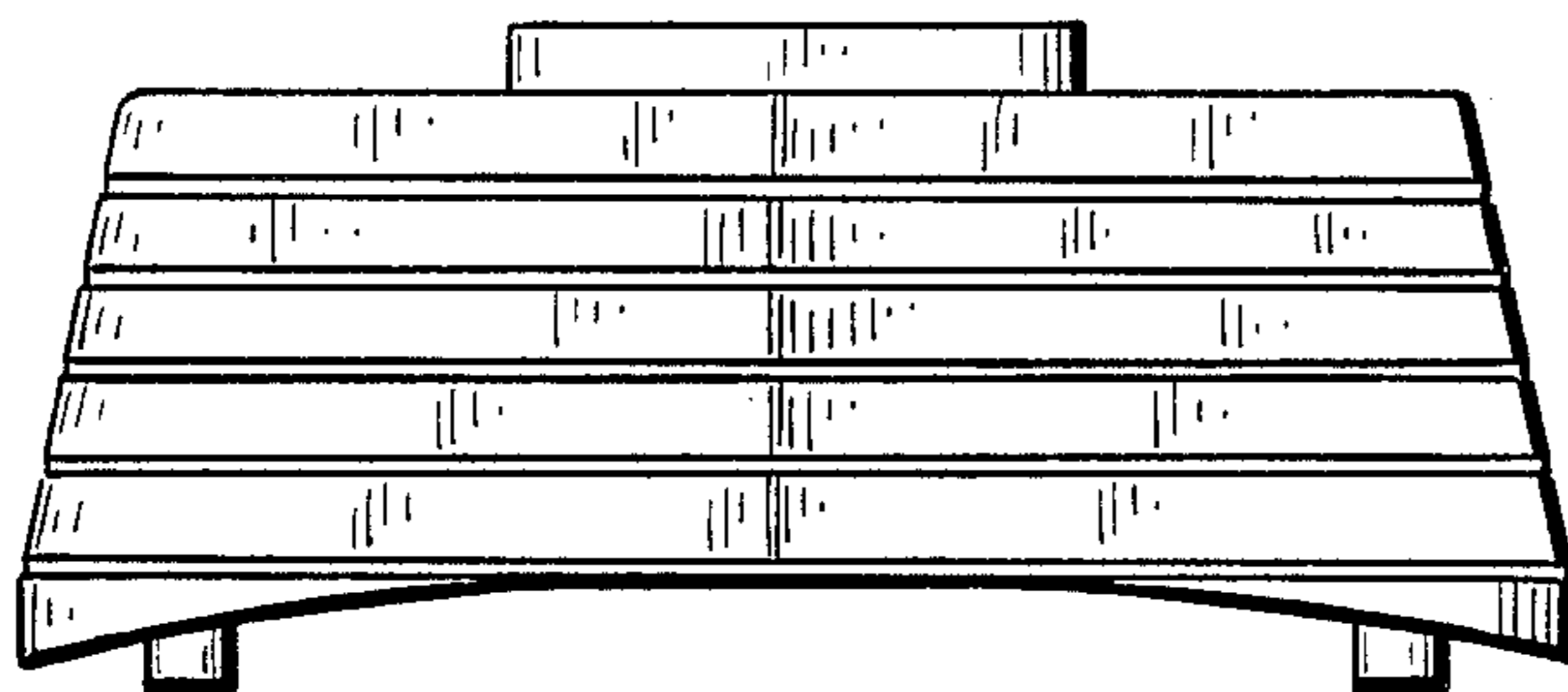
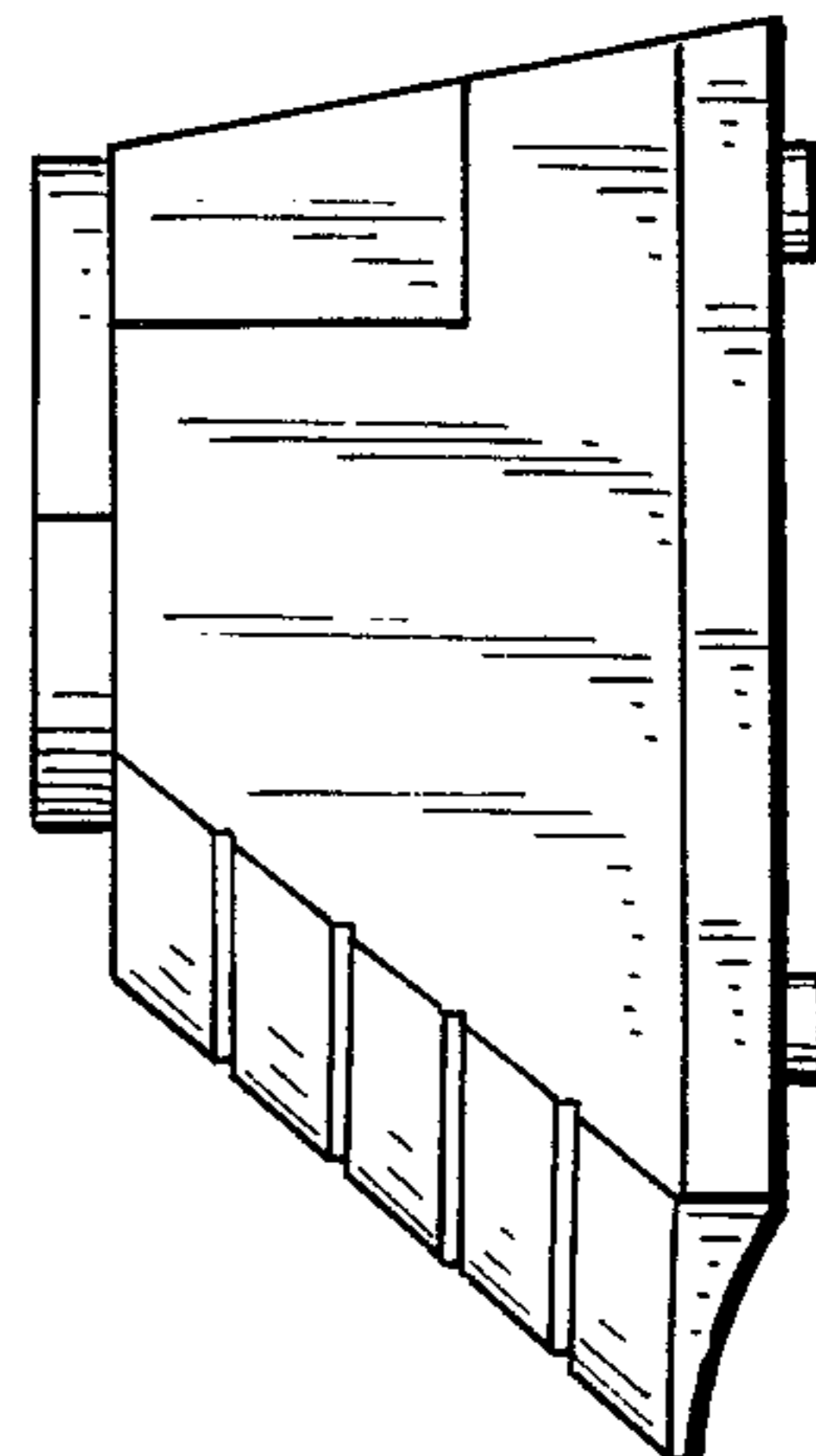


FIG. 5.

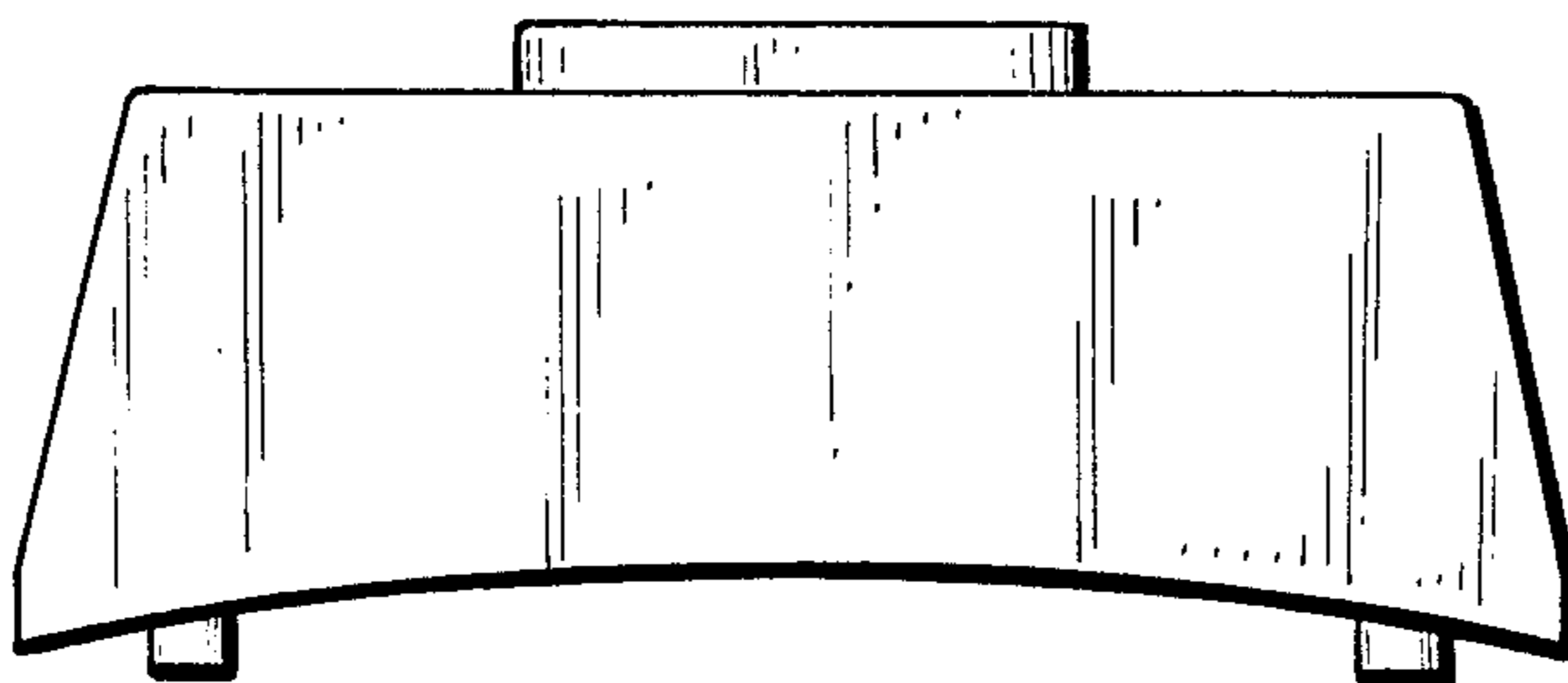


FIG. 6.