

[54] CAMERA PLATFORM

[75] Inventors: Yoshinobu Kosugi; Tadashi Idota, both of Sayama, Japan

[73] Assignee: Slik Tripod Co., Ltd., Saitama, Japan

[\*\*] Term: 14 Years

[21] Appl. No.: 76,864

[22] Filed: Jul. 23, 1987

[30] Foreign Application Priority Data

Jan. 27, 1987 [JP] Japan ..... 62-2534

[52] U.S. Cl. .... D16/243; D16/242

[58] Field of Search ..... D16/237, 242, 245; 224/265, 270, 904, 908; 248/177, 178, 179, 180, 181; 354/81, 82, 292, 293

[56] References Cited

U.S. PATENT DOCUMENTS

- D. 144,840 5/1946 Creedon ..... D16/242
- D. 246,372 11/1977 Yoshino ..... D16/243

- D. 276,620 12/1984 Hanke ..... D16/243
- 2,700,523 1/1955 Pollard ..... 248/181
- 3,545,660 10/1985 Rudolf ..... 248/177
- 3,691,925 9/1972 Shinkle ..... 354/293
- 3,924,828 12/1975 Epperson ..... 248/179
- 4,545,660 10/1985 Rudolf ..... 354/82
- 4,746,944 5/1988 Hiesinger ..... 354/82

Primary Examiner—Melvin B. Feifer  
Assistant Examiner—Adir Aronovich  
Attorney, Agent, or Firm—Bacon & Thomas

[57] CLAIM

The ornamental design for a camera platform, as shown.

DESCRIPTION

FIG. 1 is a top, front and right side perspective view of a camera platform showing our new design;  
FIG. 2 is a front elevational view thereof;  
FIG. 3 is a right side elevational view thereof;  
FIG. 4 is a rear elevational view thereof;  
FIG. 5 is a left side elevational view thereof;  
FIG. 6 is a top plan view thereof;  
FIG. 7 is a bottom plan view thereof.

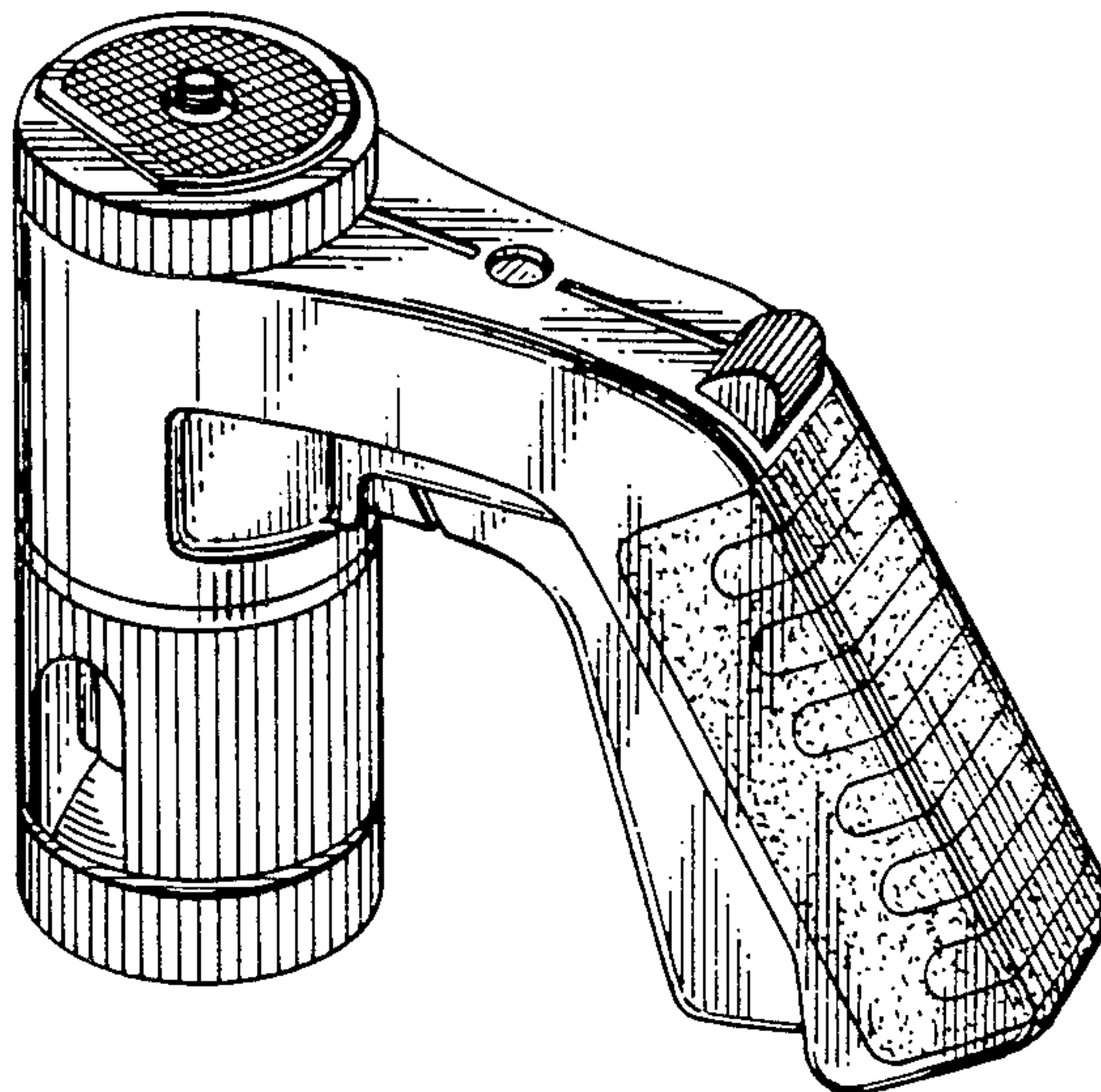


FIG. 1

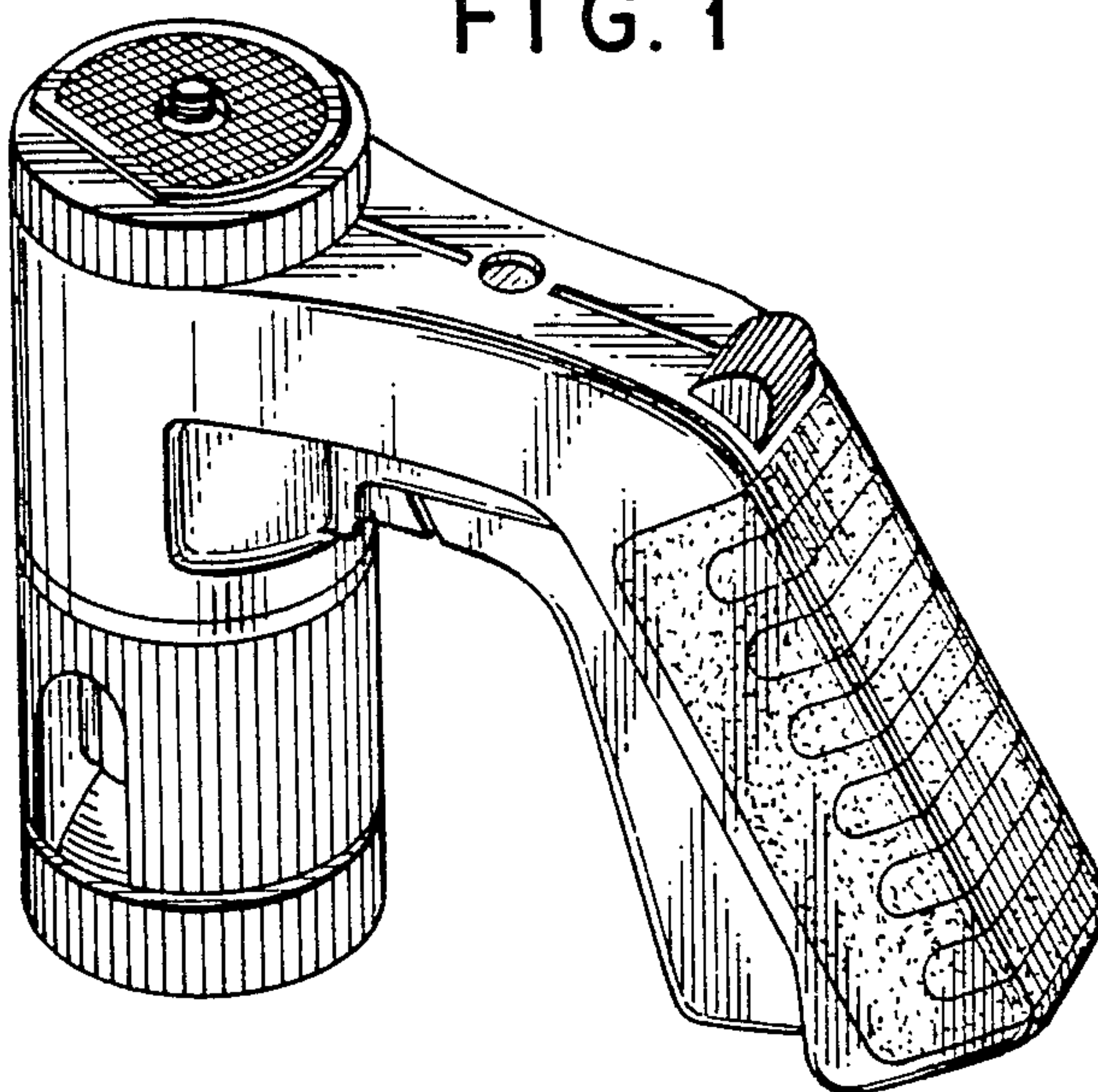


FIG. 2

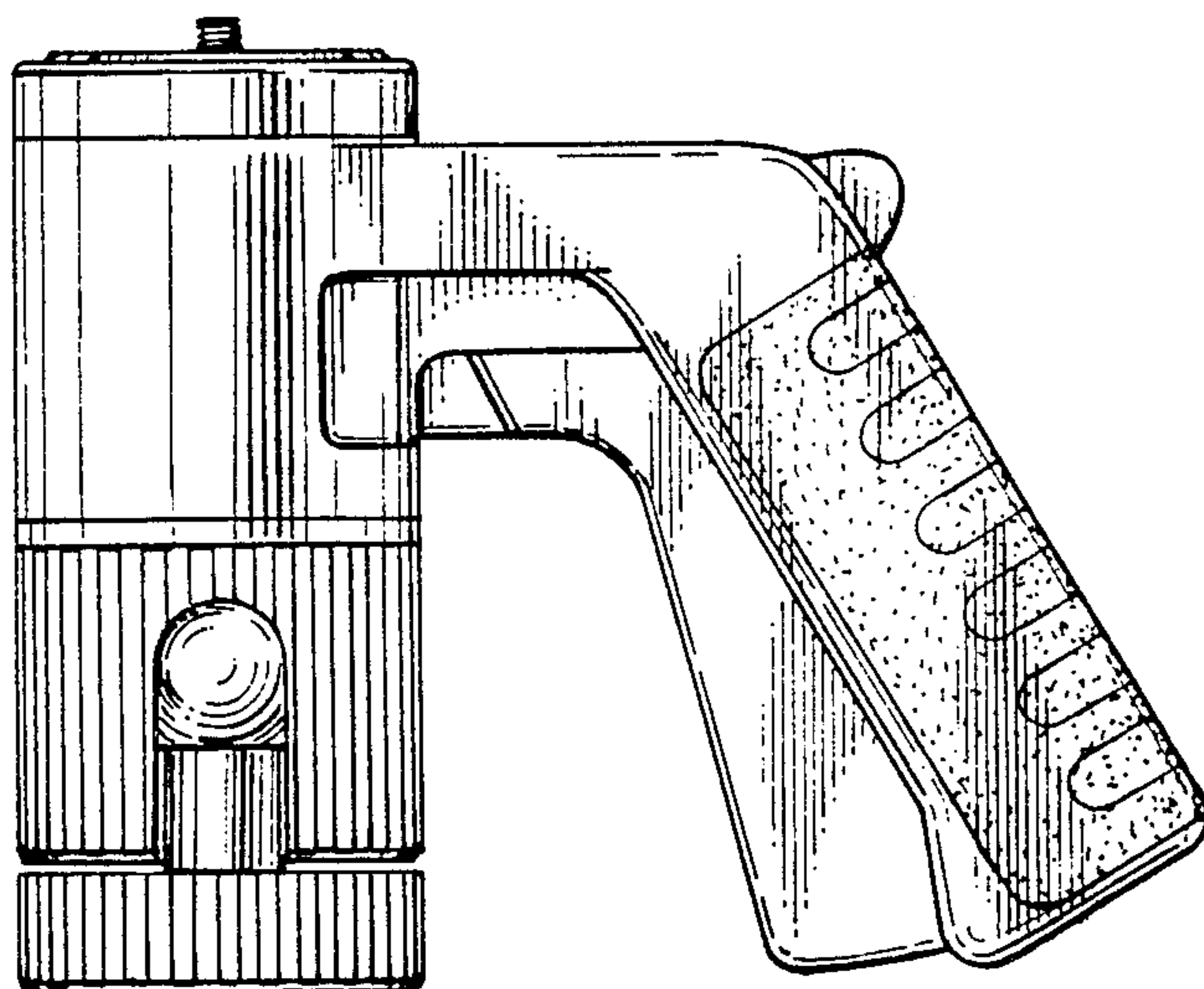


FIG. 3

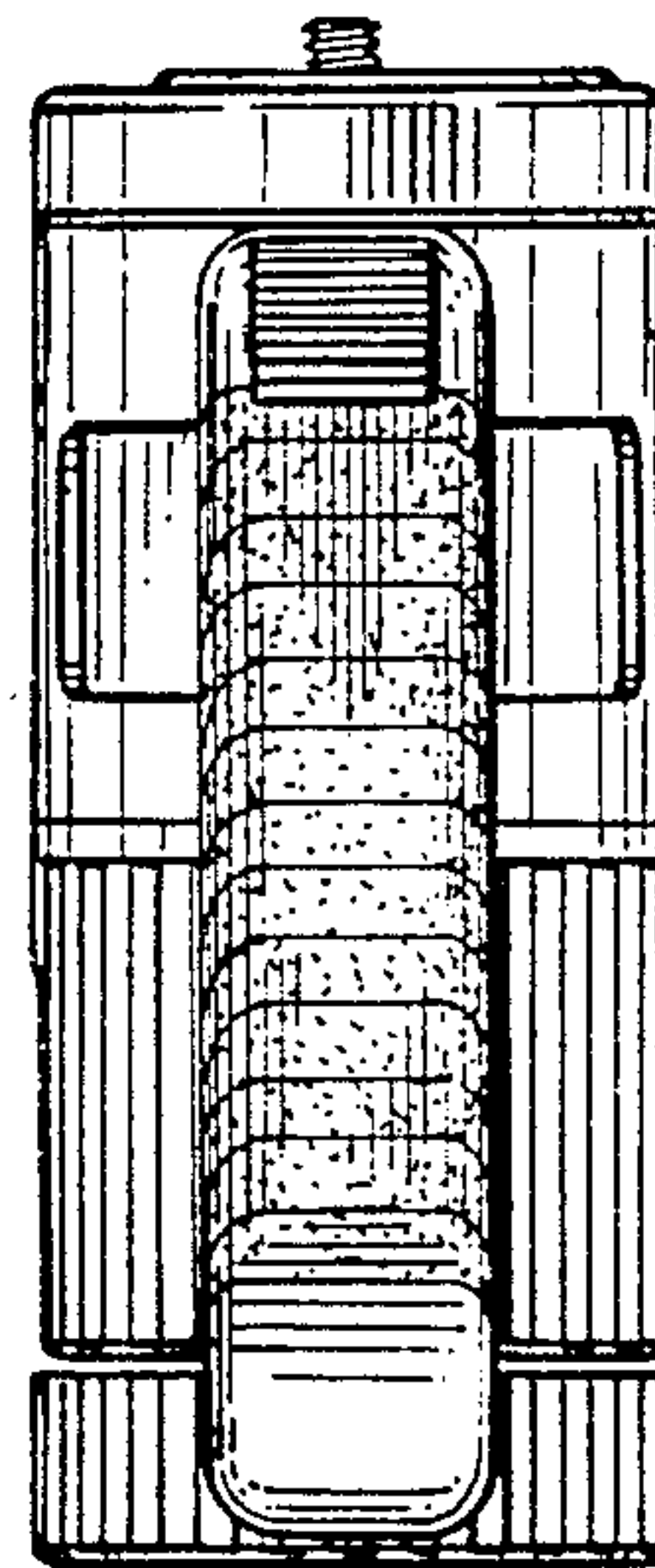


FIG. 4

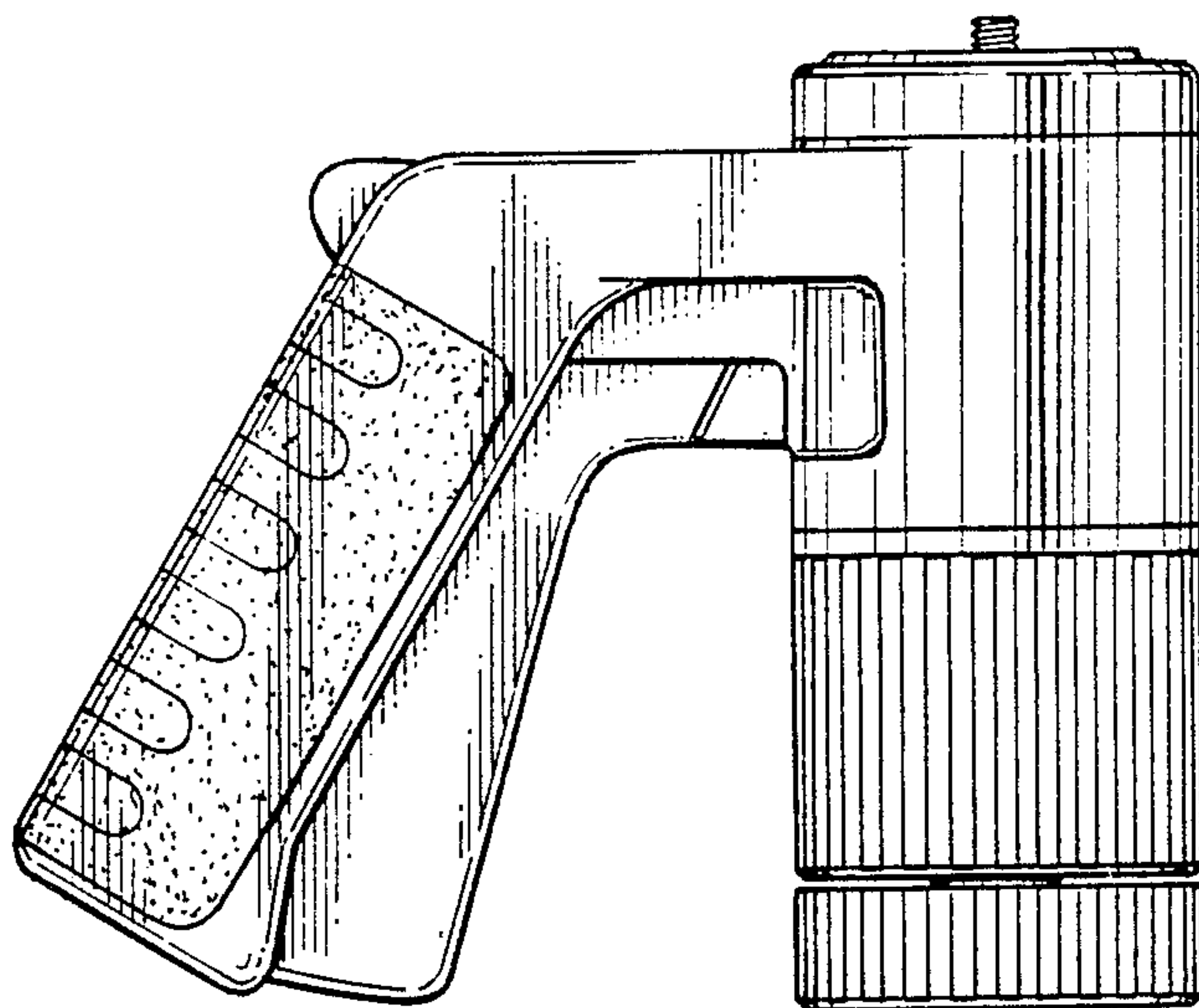


FIG. 5

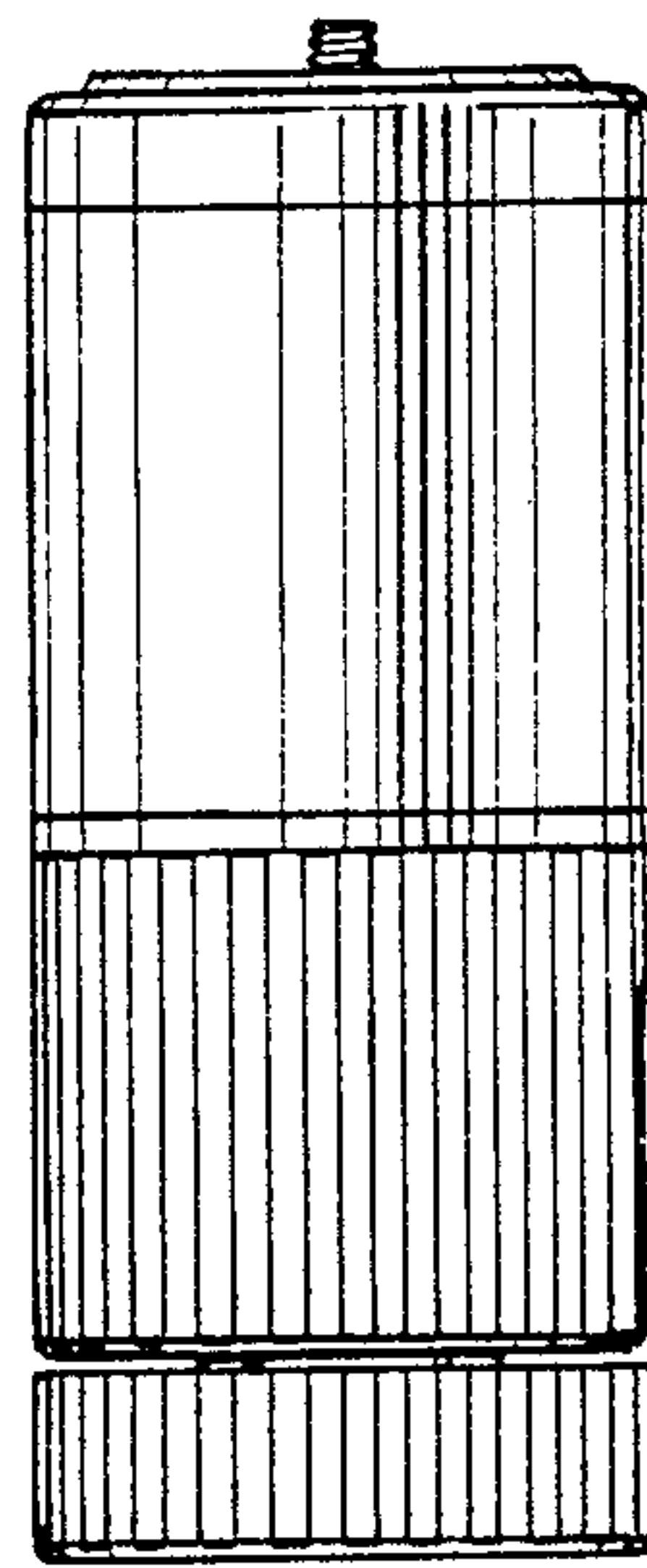


FIG. 6

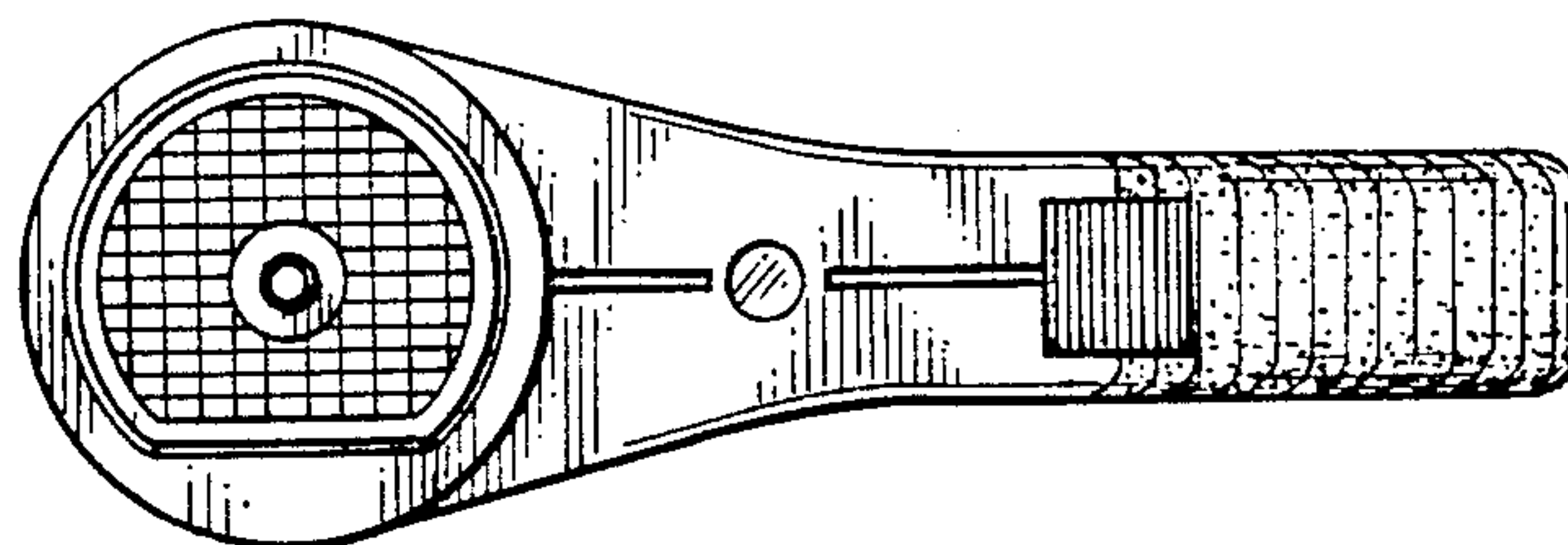


FIG. 7

