

United States Patent [19]

Andersson et al.

[11] Patent Number: **Des. 311,193**

[45] Date of Patent: **** Oct. 9, 1990**

[54] **HEAD FOR A CUTTING TOOL**

[75] Inventors: **Kjell Andersson; Carl-Axel Andersson, both of Fagersta, Sweden**

[73] Assignee: **Seco Tools AB, Fagersta, Sweden**

[*] Notice: The portion of the term of this patent subsequent to Jun. 19, 2004 has been disclaimed.

[**] Term: **14 Years**

[21] Appl. No.: **39,374**

[22] Filed: **Apr. 17, 1987**

[30] **Foreign Application Priority Data**

Oct. 31, 1986 [SE] Sweden 86-2537
[52] U.S. Cl. **D15/139; D15/131; D15/140**

[58] Field of Search 279/19, 8, 91; 408/239, 408/179, 180, 165, 181; 407/40, 47, 33, 39, 41, 46, 66; D15/140, 139, 131; 709/232, 234

[56] **References Cited**

U.S. PATENT DOCUMENTS

3,378,901	4/1968	Dupuis	407/41 X
3,512,236	5/1970	Renaud	407/41 X
4,006,995	2/1977	Gruner	408/181 X
4,325,664	4/1982	Mori	409/234
4,478,541	10/1984	Okada et al.	408/239 A X

Primary Examiner—Carmen H. Vales-Lado

Assistant Examiner—Jeffrey Asch

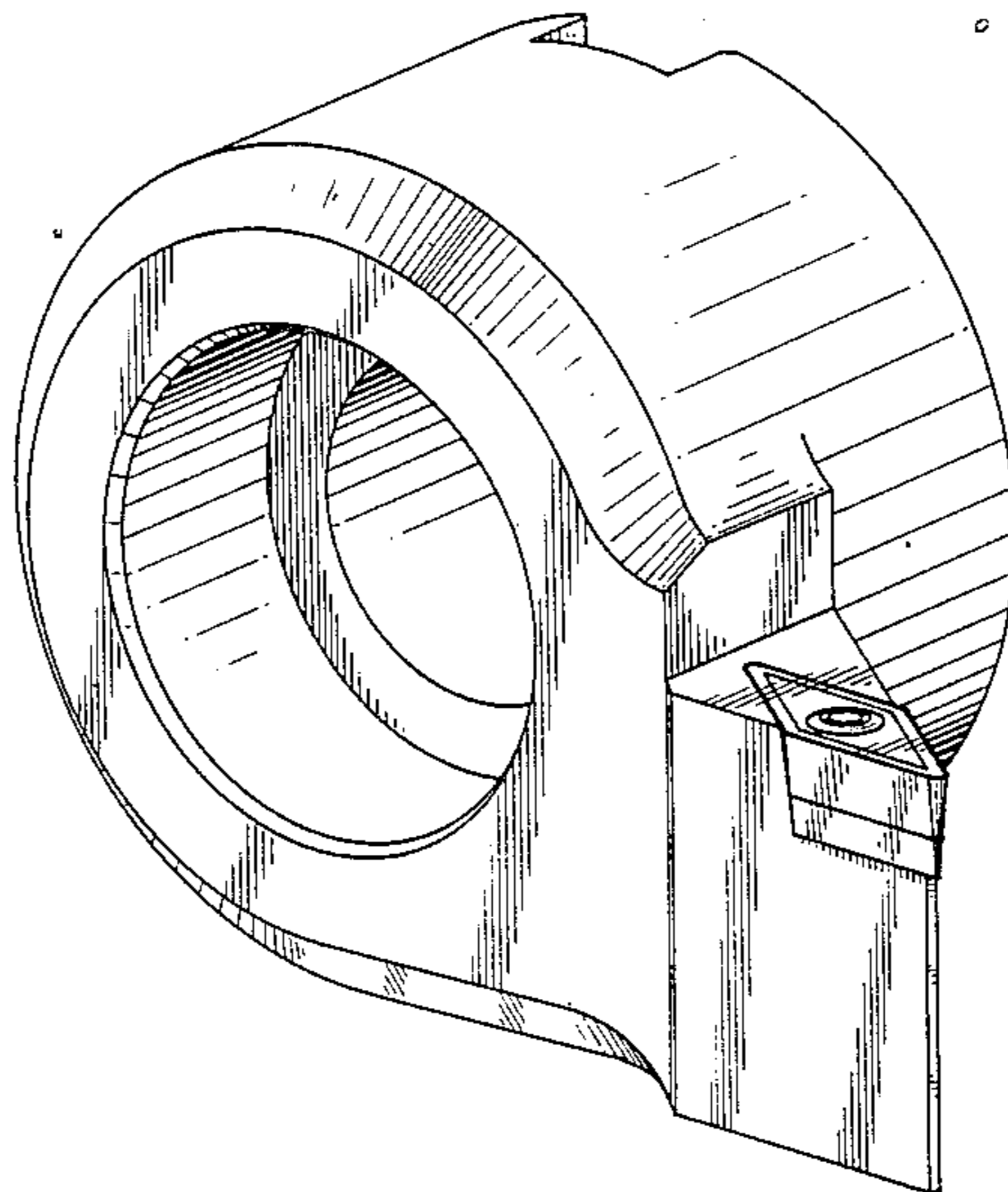
Attorney, Agent, or Firm—Burns, Doane, Swecker & Mathis

[57] **CLAIM**

The ornamental design for a head for a cutting tool, as shown and described.

DESCRIPTION

FIG. 1 is a right front perspective view of head for a cutting tool showing our new design; and FIG. 2 is a left rear perspective view thereof. The undisclosed bottom surface of the head for a cutting tool is conventional in appearance.



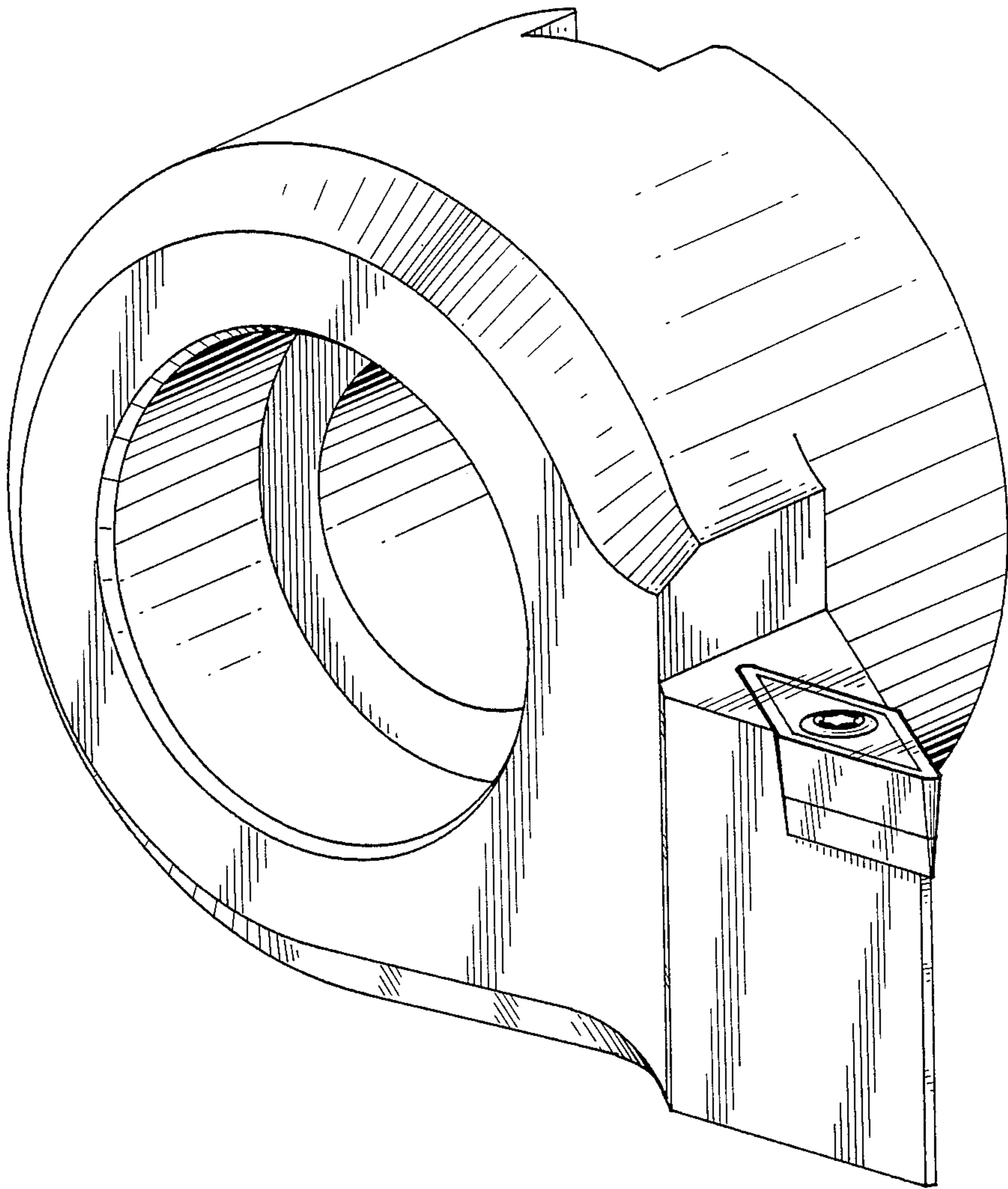


Fig. 1

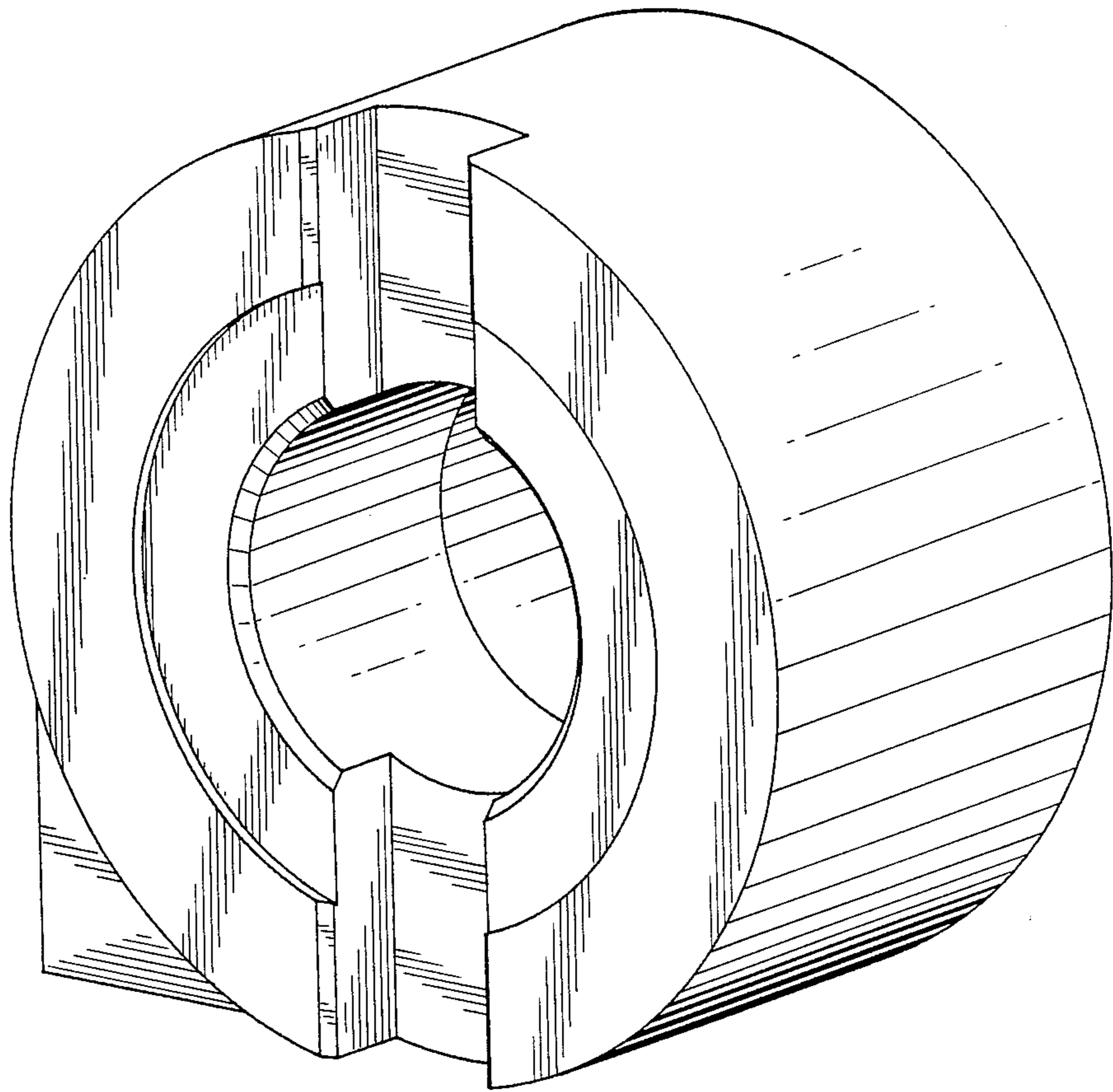


Fig. 2