

[54] **PLANER OR SIMILAR ARTICLE**
[76] **Inventor: Boy-Yann Juang, 88-10, Tung-Ping Rd., Taiping Hsiang, Taichung, Taiwan**
[**] **Term: 14 Years**
[21] **Appl. No.: 211,405**
[22] **Filed: Jun. 24, 1988**
[52] **U.S. Cl. D15/127**
[58] **Field of Search D15/127, 133; 144/114 R, 117 R**

3,291,170 12/1966 Nishimura .
3,545,140 12/1970 Jones .
3,718,168 2/1973 Berends .
4,436,126 3/1984 Lawson 144/117 R X

Primary Examiner—Bruce W. Dunkins
Assistant Examiner—Jeffrey Asch
Attorney, Agent, or Firm—Ladas & Parry

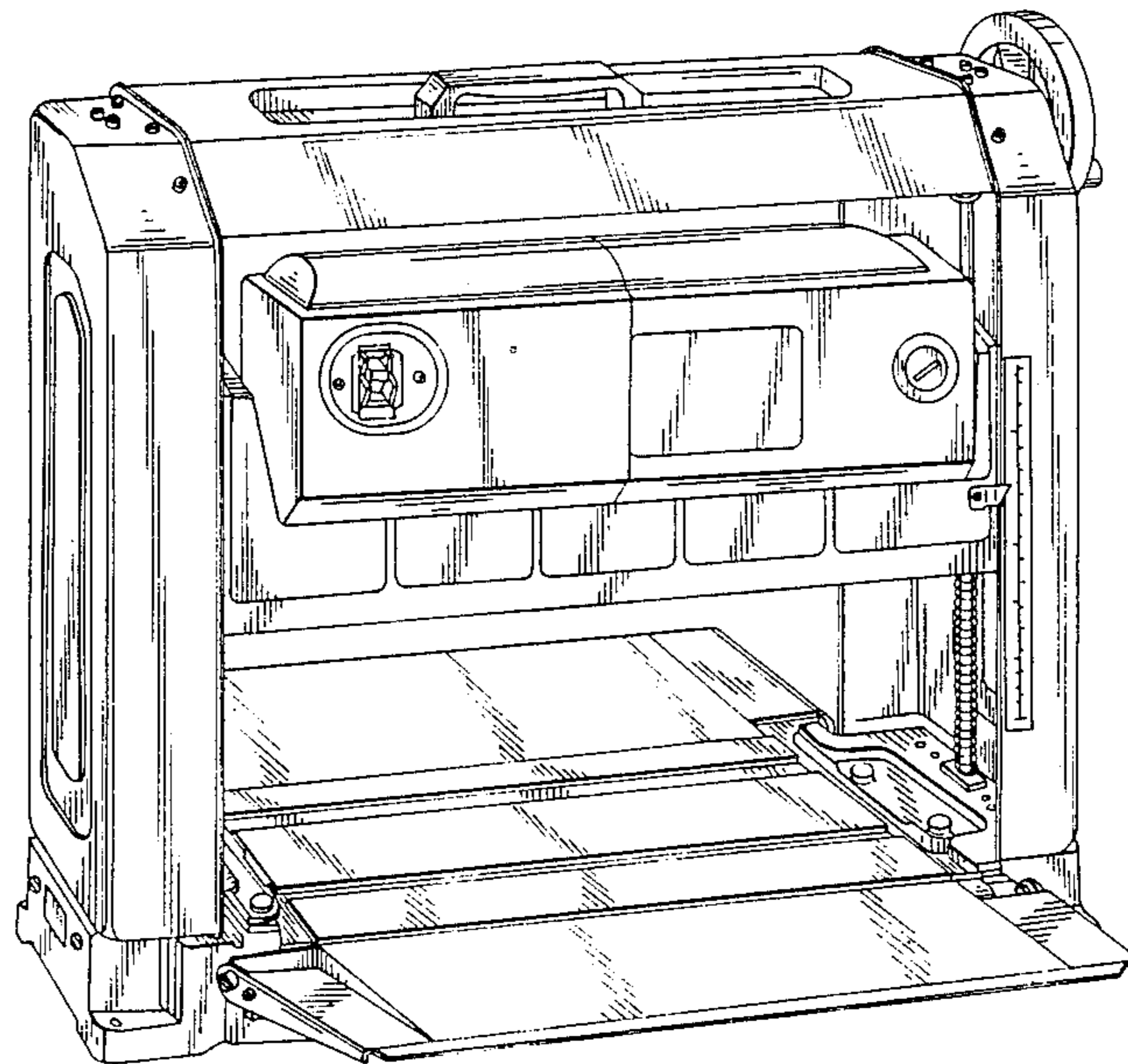
[57] **CLAIM**

The ornamental design for planar or similar article, as shown and described.

DESCRIPTION

[56] **References Cited**
U.S. PATENT DOCUMENTS
D. 266,766 11/1982 Lawson D15/127
D. 276,616 12/1984 Legler et al. D15/127
D. 285,083 8/1986 Miyamoto D15/127
D. 285,448 9/1986 Hashii D15/127
2,873,776 2/1959 Buttke 144/114 R X
2,908,301 10/1959 Baumbach et al. 144/117 R

FIG. 1 is a perspective view of planar or similar article showing my new design;
FIG. 2 is a front elevational view thereof;
FIG. 3 is a rear elevational view thereof;
FIG. 4 is a left side elevational view thereof;
FIG. 5 is a right side elevational view thereof;
FIG. 6 is a top plan view thereof; and
FIG. 7 is a bottom plan view thereof.



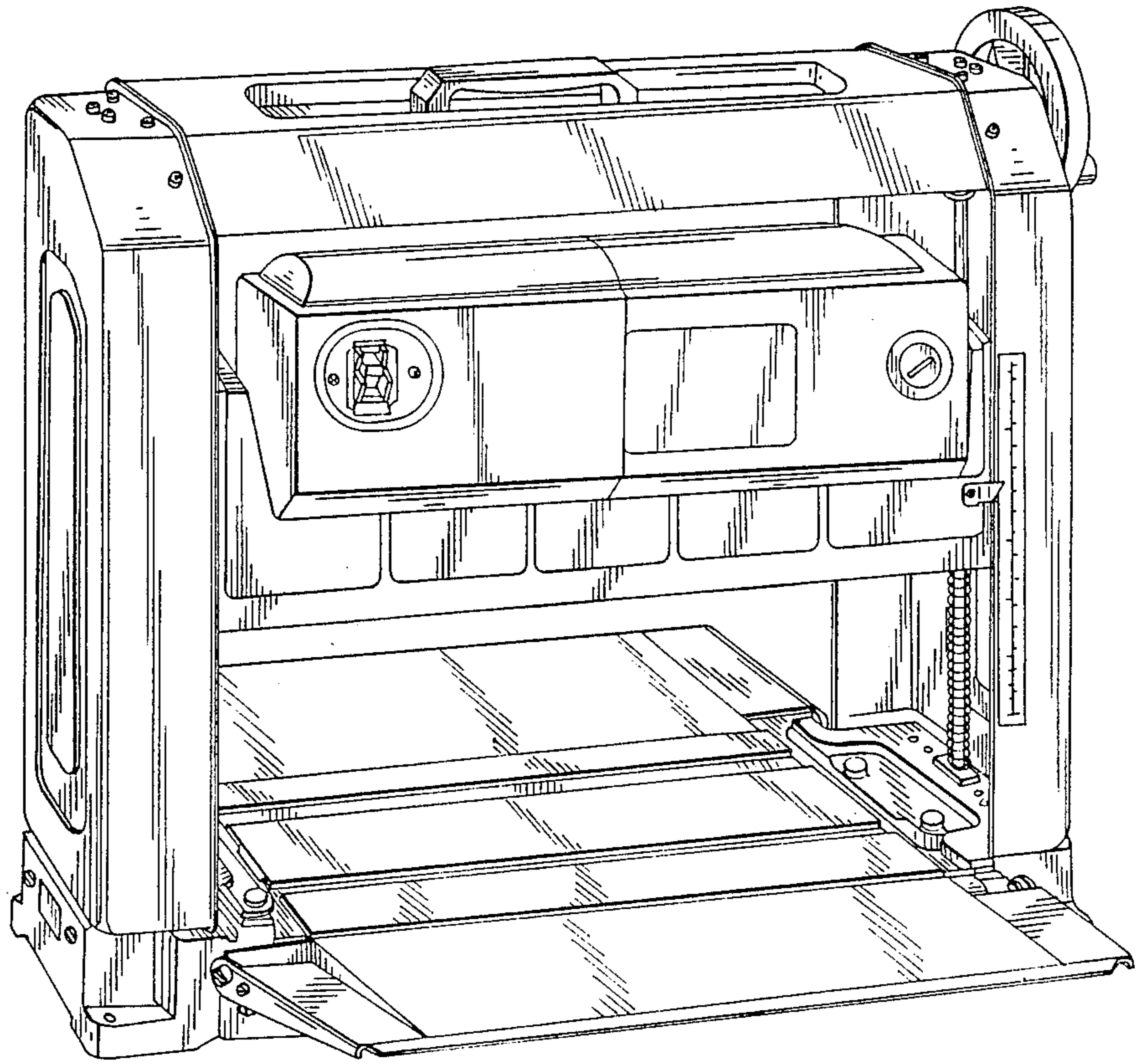


FIG. 1

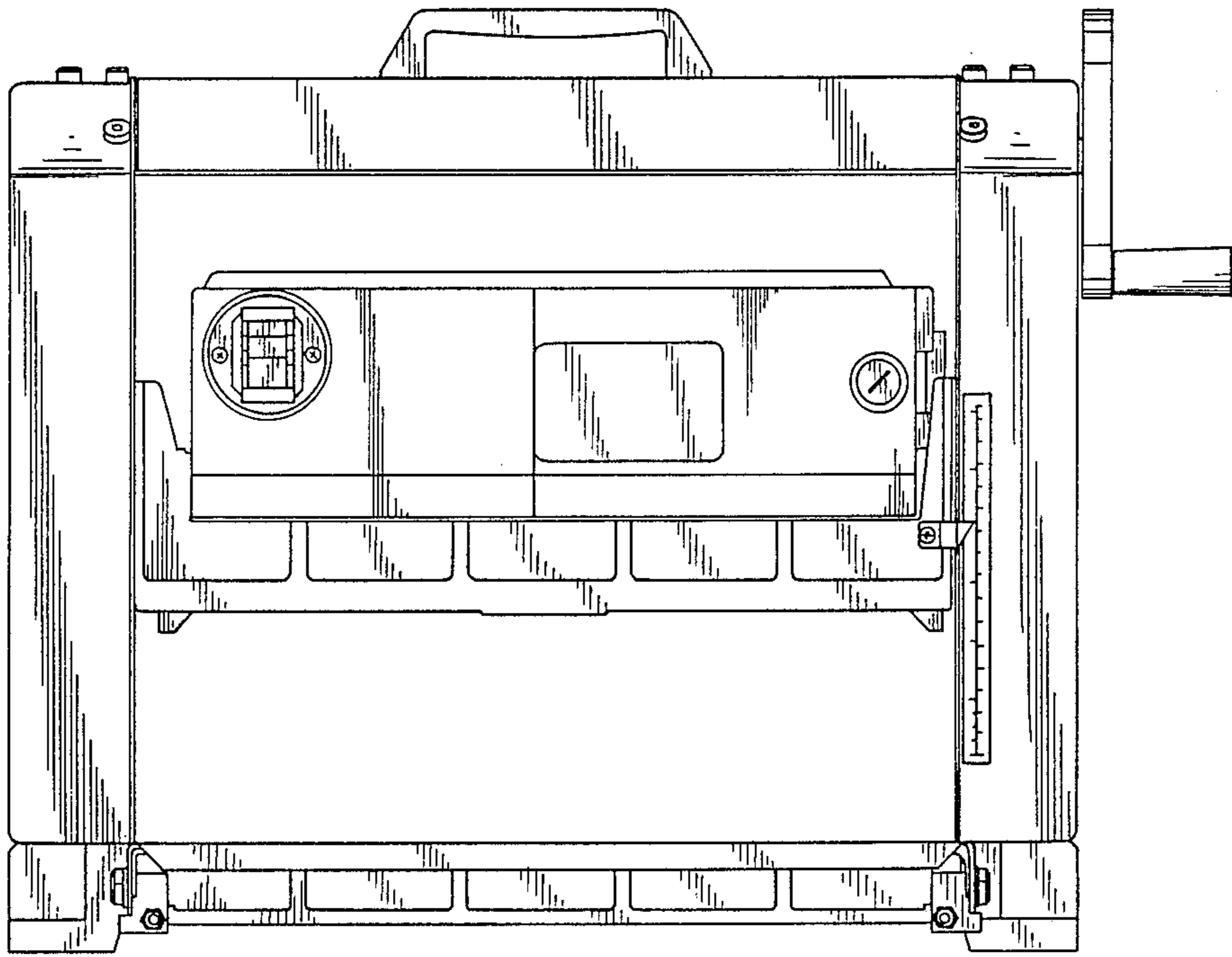


FIG. 2

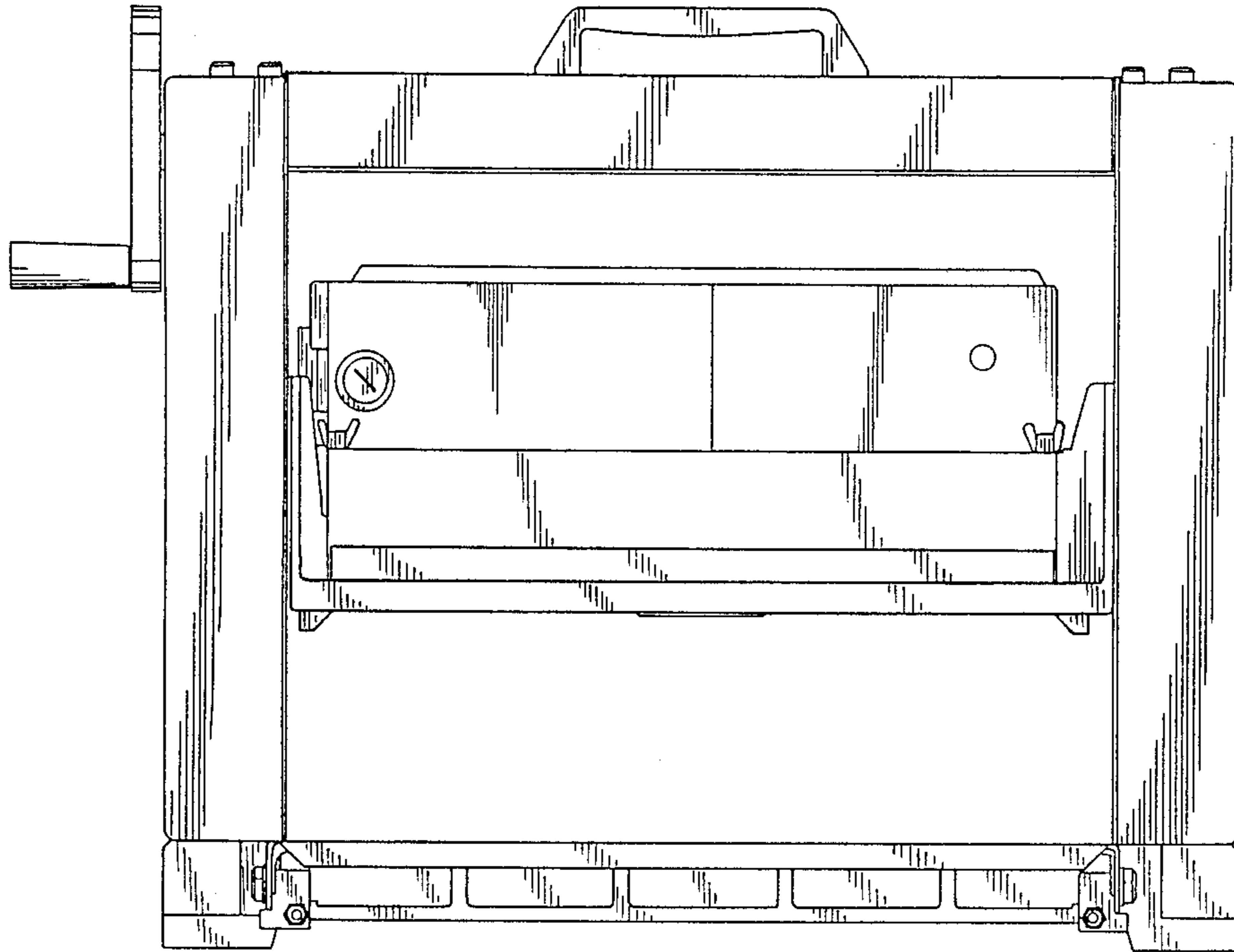


FIG. 3

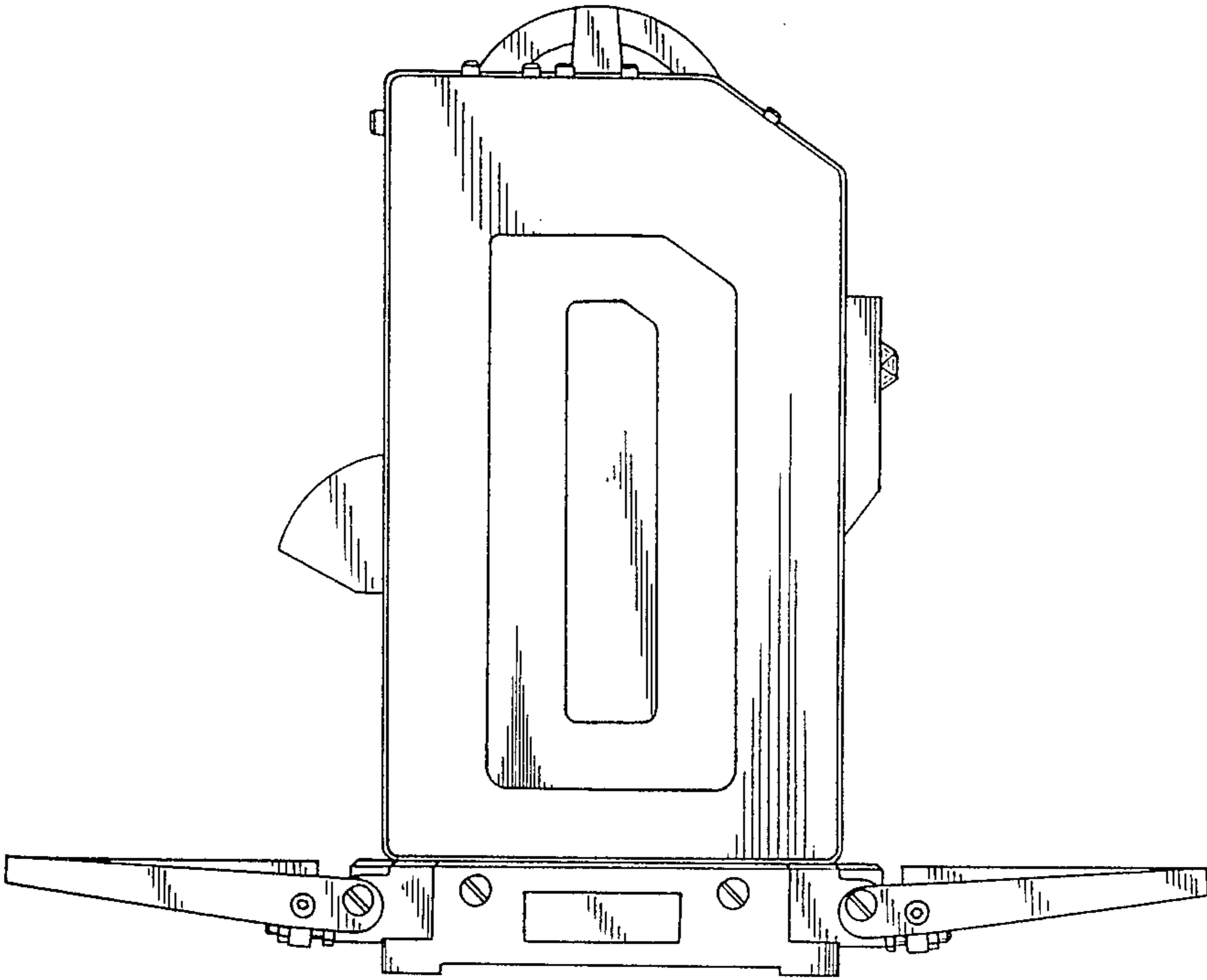


FIG. 4

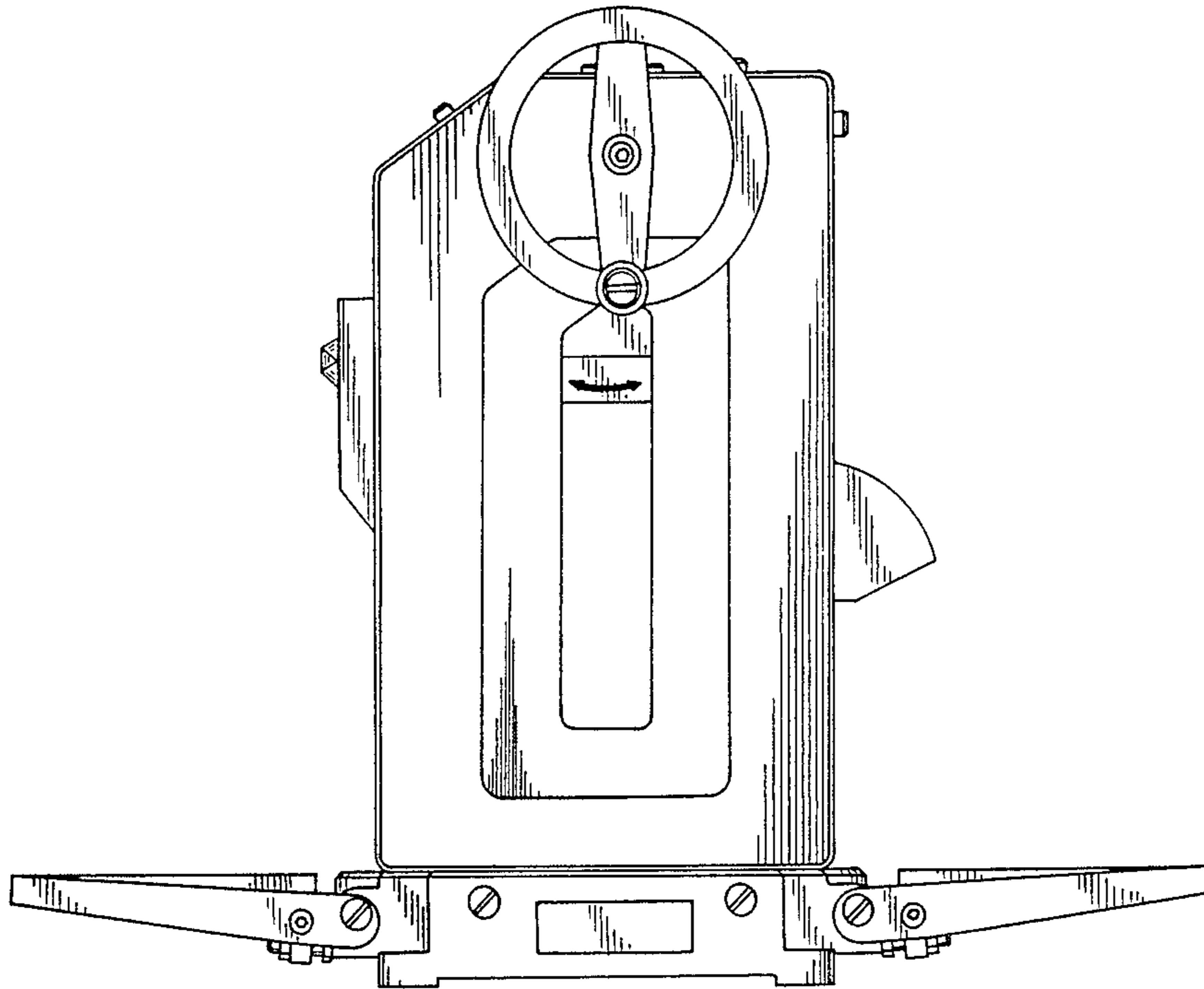


FIG. 5

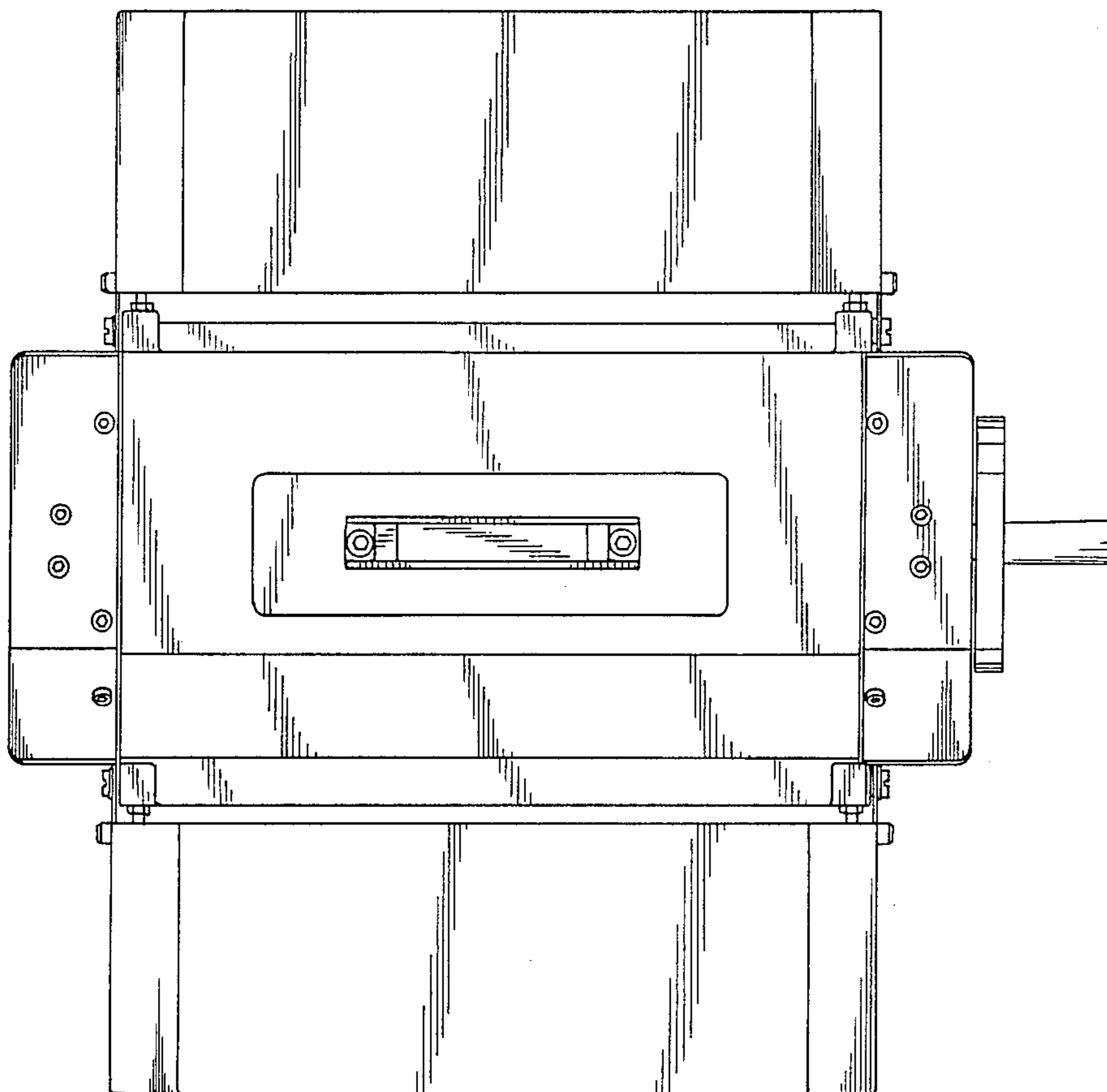


FIG. 6

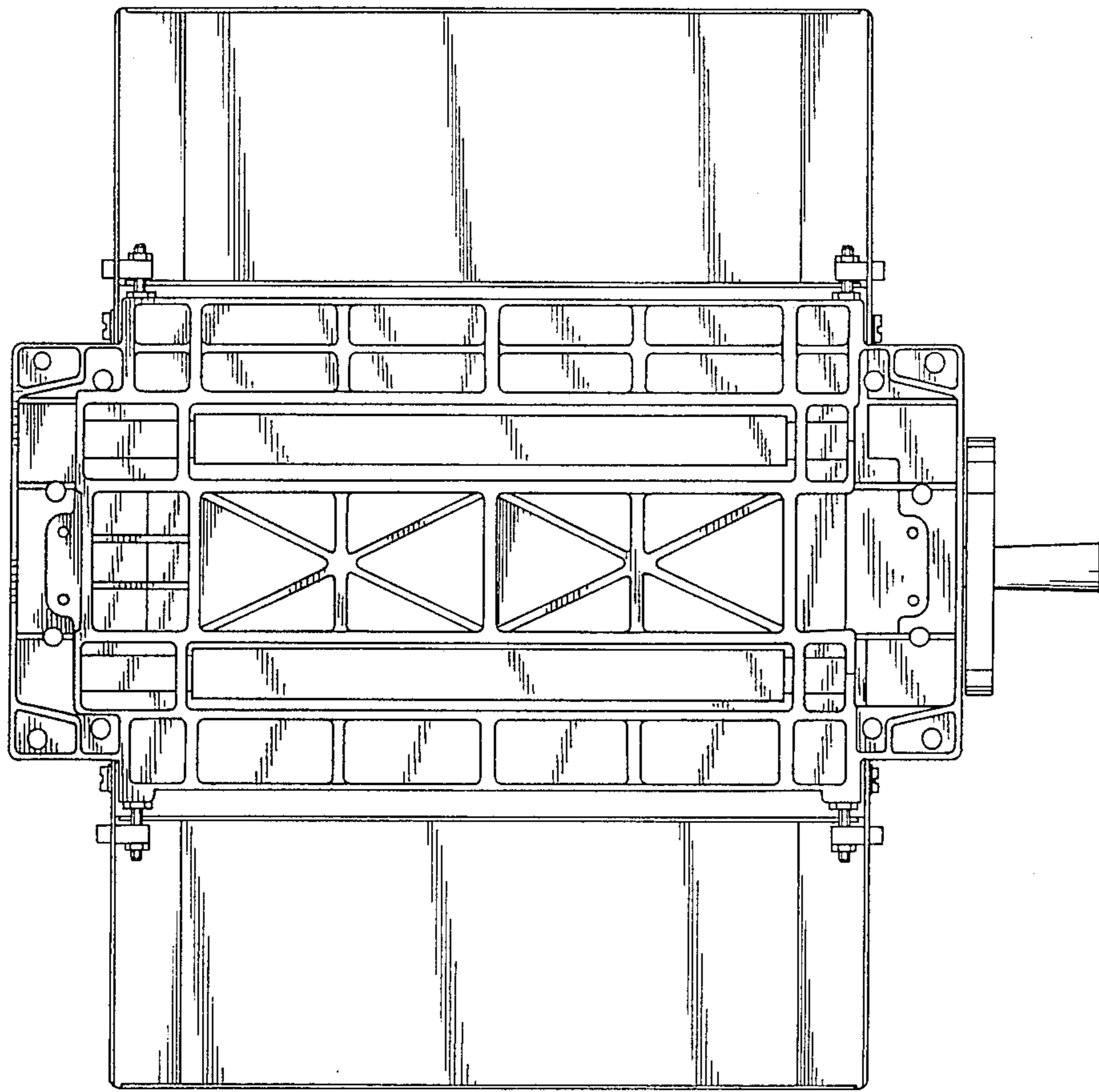


FIG. 7