

[54] **TELEPHONE SET**

[75] **Inventor: Takaharu Ando, Ryugasaki, Japan**

[73] **Assignee: Kabushiki Kaisha Toshiba,
 Kanagawa, Japan**

[**] **Term: 14 Years**

[21] **Appl. No.: 360,746**

[22] **Filed: Jun. 2, 1989**

[30] **Foreign Application Priority Data**

Dec. 24, 1988 [JP] Japan 63-50027

[52] **U.S. Cl. D14/241; D14/151**

[58] **Field of Search D14/151, 241; 379/429,
 379/367, 419, 426, 428, 436, 432, 440**

[56] **References Cited**

U.S. PATENT DOCUMENTS

D. 267,873	2/1983	Brown et al.	D14/151
D. 284,469	7/1986	Ando	D14/151
D. 288,319	2/1987	Suzuki	D14/151
D. 295,514	5/1988	Inaba	D14/151 X
D. 296,784	7/1988	Yamagishi	D14/151
D. 298,130	10/1988	Komatsu	D14/151
D. 301,031	5/1989	Sasaki et al.	D14/241
D. 303,966	10/1989	Fritzsche	D14/151
D. 304,717	11/1989	Barker et al.	D14/241
D. 304,727	11/1989	Barker et al.	D14/241
4,790,004	12/1988	Nalbore	379/267

FOREIGN PATENT DOCUMENTS

693268 12/1986 Japan .
 735500 6/1988 Japan .
 75281 10/1987 Rep. of Korea .

OTHER PUBLICATIONS

GEC Telecommunications Journal 41 (1980)-pp. 17-21;
 at p. 18, GEC Digital Telephone.
 NEC, Apr. 5, 1988.
 Taiko (F-516D), Aug. 13, 1986.

Primary Examiner—Horace B. Fay, Jr.
Attorney, Agent, or Firm—Banner, Birch, McKie &
 Beckett

[57] **CLAIM**

The ornamental design for a telephone set, as shown
 and described.

DESCRIPTION

FIG. 1 is a top, front and right side perspective view of
 a telephone set showing my new design,
 FIG. 2 is a front elevational view thereof,
 FIG. 3 is a top plan view thereof;
 FIG. 4 is a rear elevational view thereof,
 FIG. 5 is a left side elevational view thereof,
 FIG. 6 is a bottom plan view thereof,
 FIG. 7 is a top, front and left side perspective view
 thereof, showing handset being in separated position
 from stand.

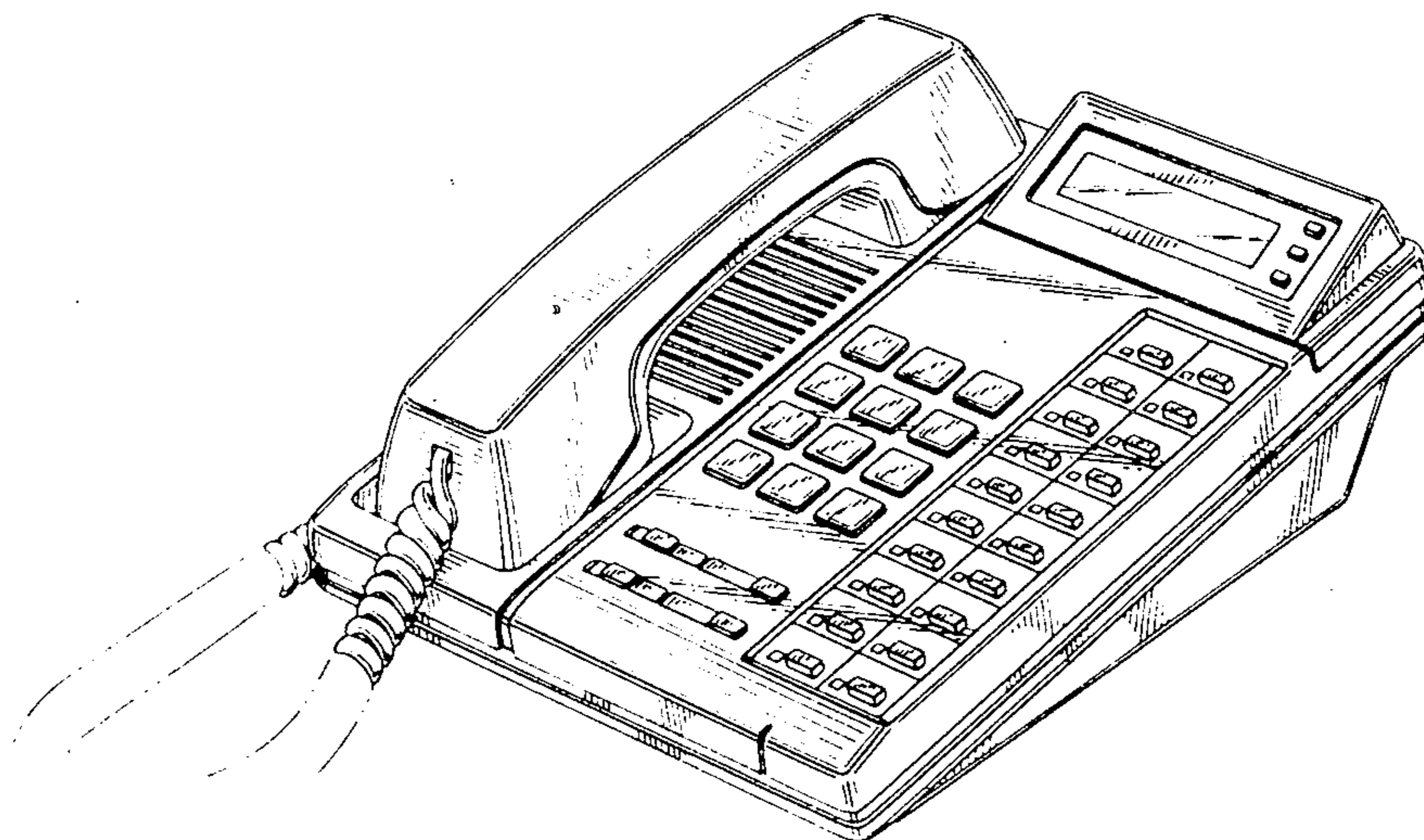


FIG. 1

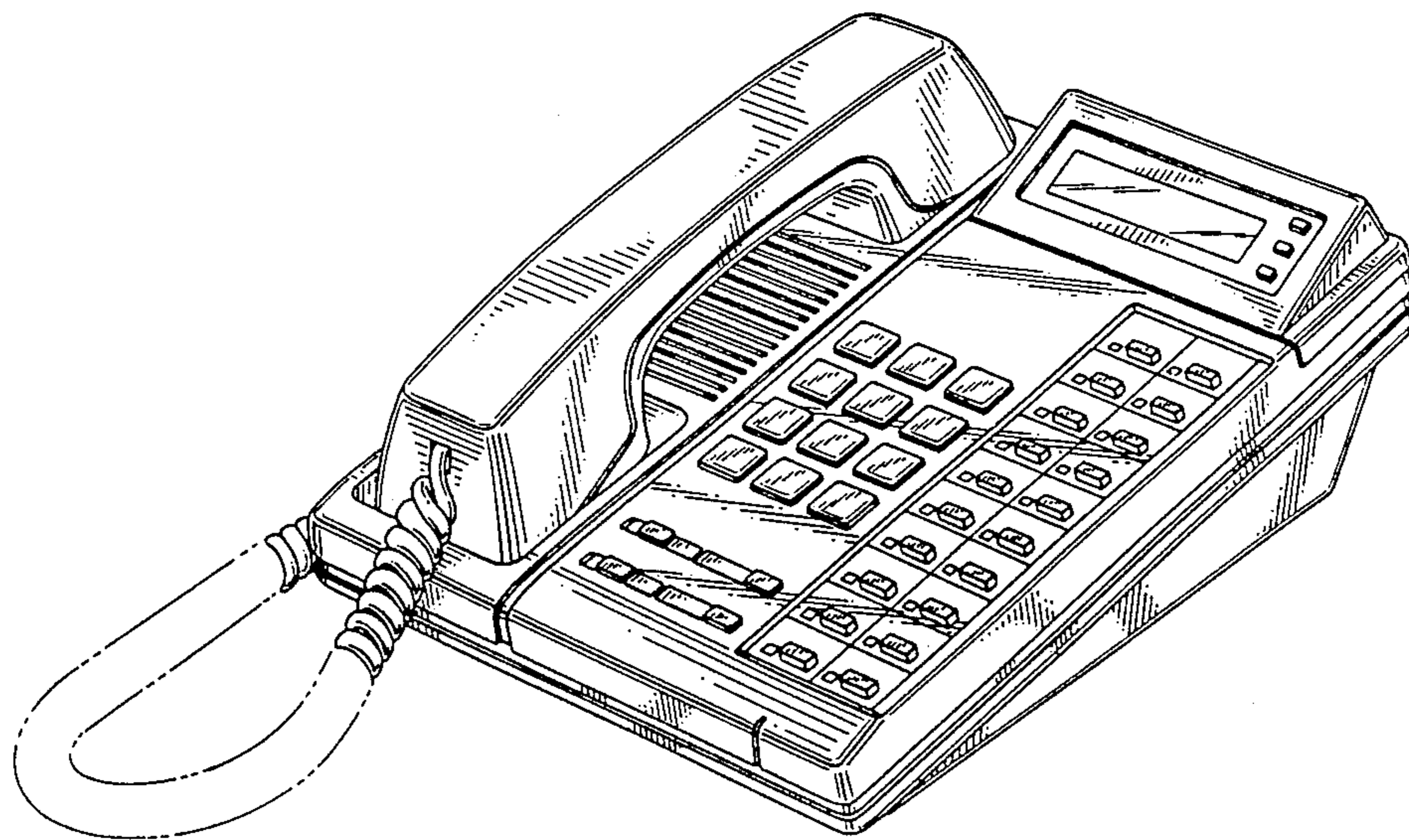


FIG. 2

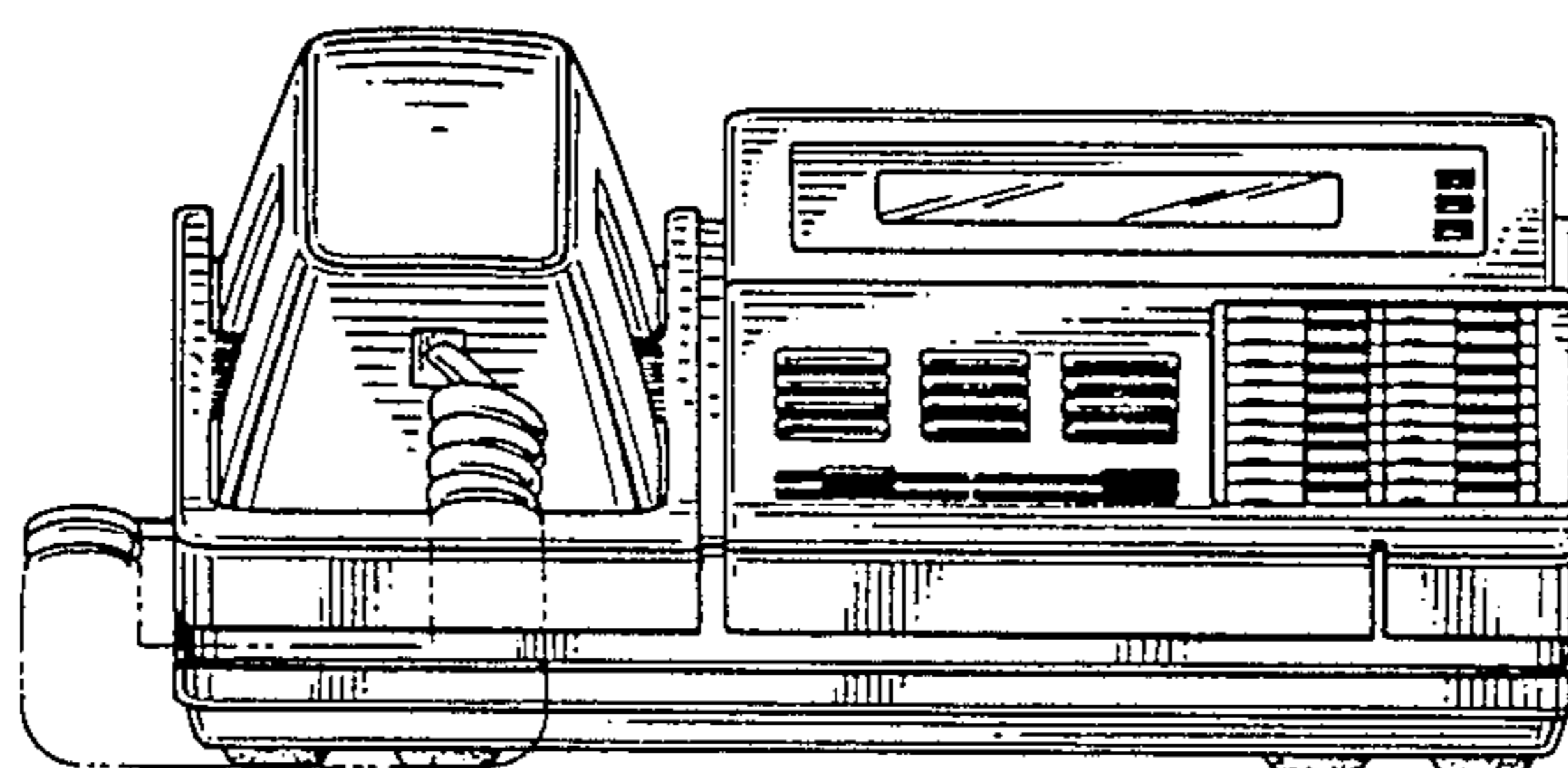


FIG.3

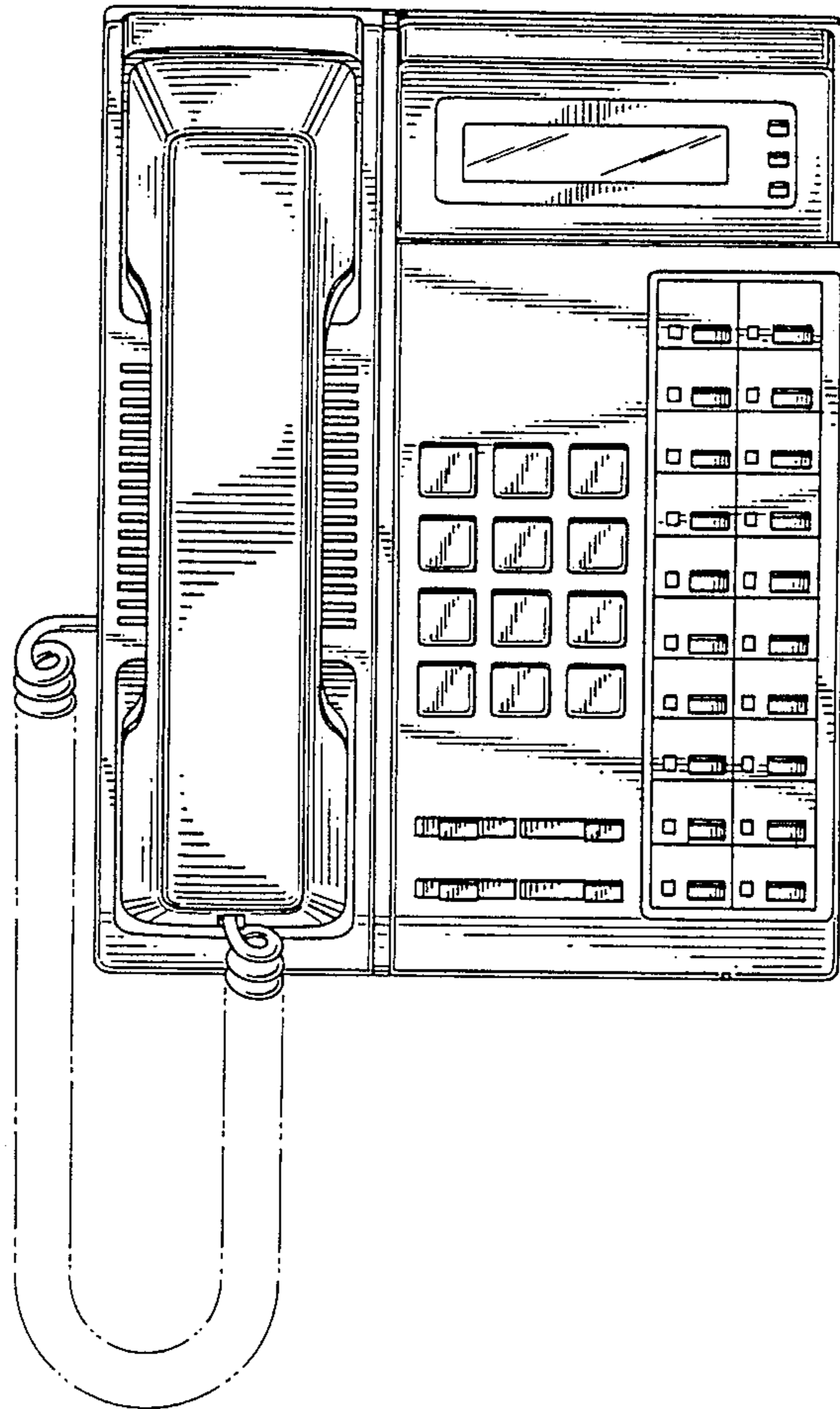


FIG.4

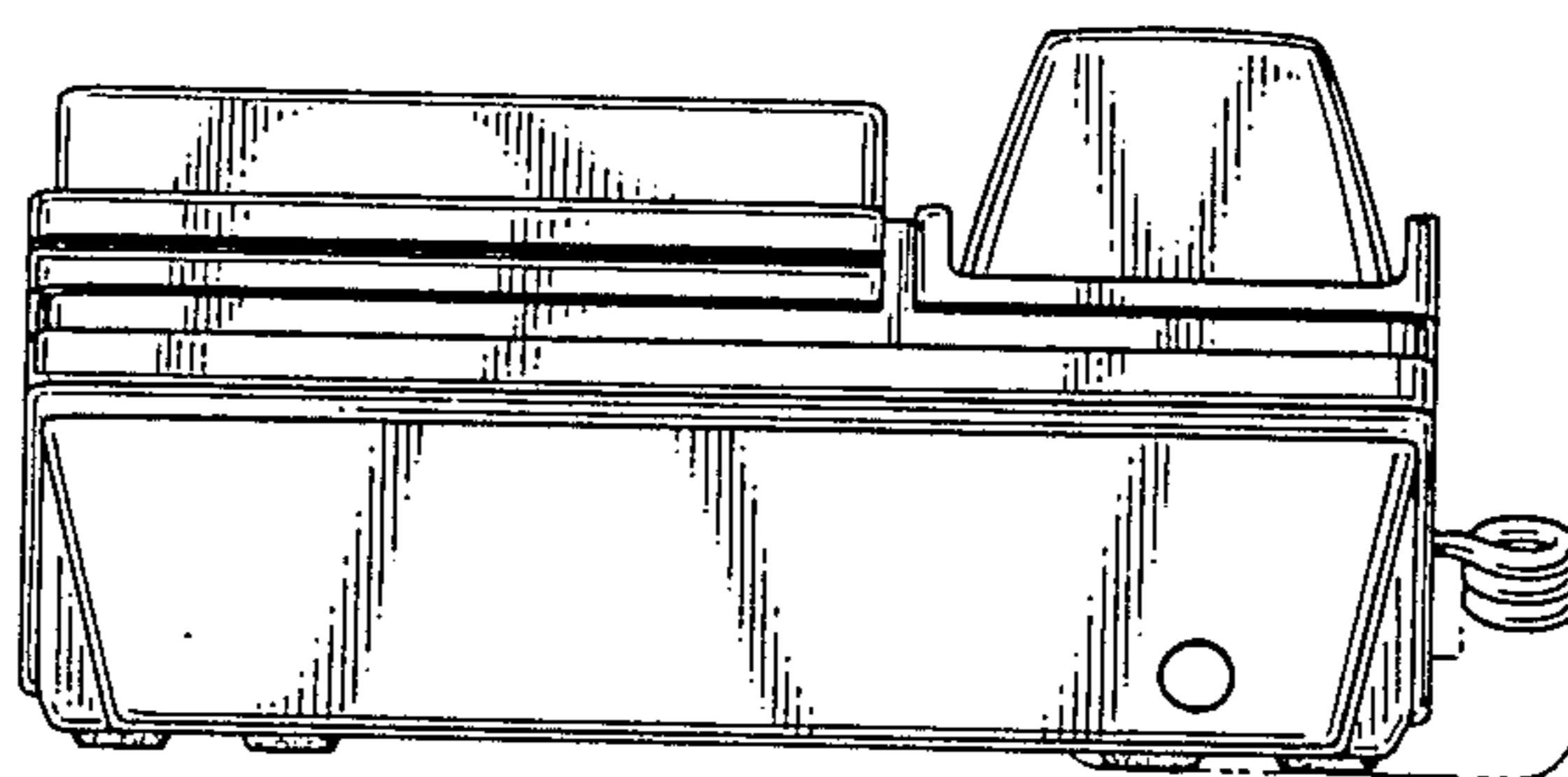


FIG. 5

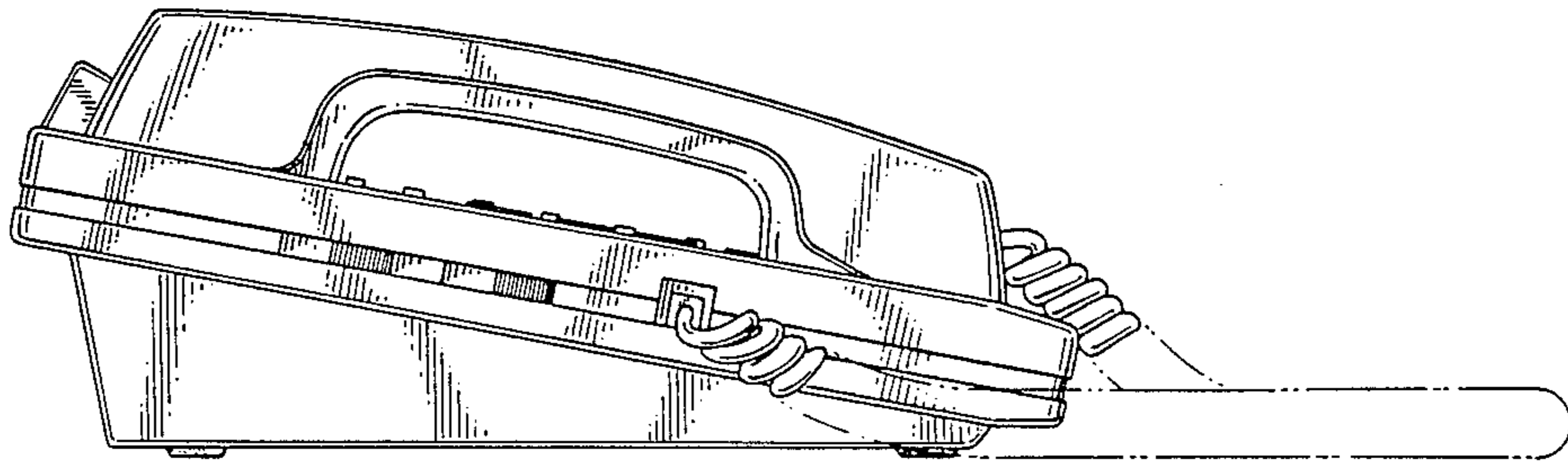


FIG. 6

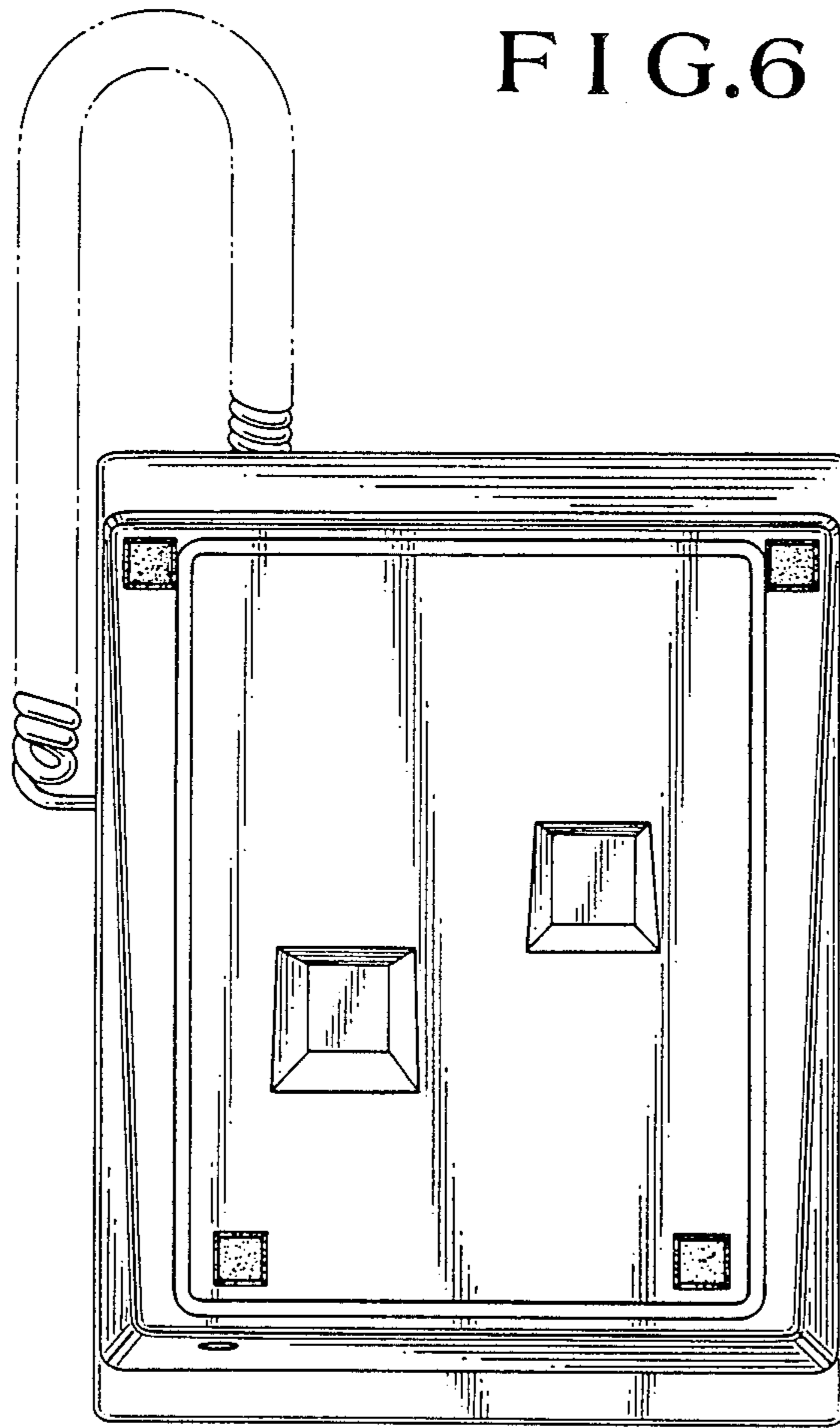


FIG. 7

