

[54] MICROPHONE MOUNT

[76] Inventors: John J. Lazzeroni; Melinda K. Lazzeroni, both of 7322 E. Stella Rd., Tucson, Ariz. 85730

[**] Term: 14 Years

[21] Appl. No.: 65,706

[22] Filed: Jun. 24, 1987

[52] U.S. Cl. D14/229; D14/225; D8/396

[58] Field of Search D14/124, 137, 225-229, D14/299; 381/68.7, 91, 122, 155, 158, 168-170, 205, 187; 379/430; 455/89, 90, 95, 100, 351; D8/394, 396; 2/422, 6

[56] References Cited

U.S. PATENT DOCUMENTS

D. 176,976 2/1956 Crook D8/396 X

D. 222,269 10/1971 Gibson D14/229
D. 247,115 1/1978 Cox et al. D14/229
D. 294,702 3/1988 Yoder D8/396 X
3,258,534 6/1966 Goldsworthy 2/422 X
3,586,877 6/1971 Lustig .
3,961,312 10/1975 Campbell .

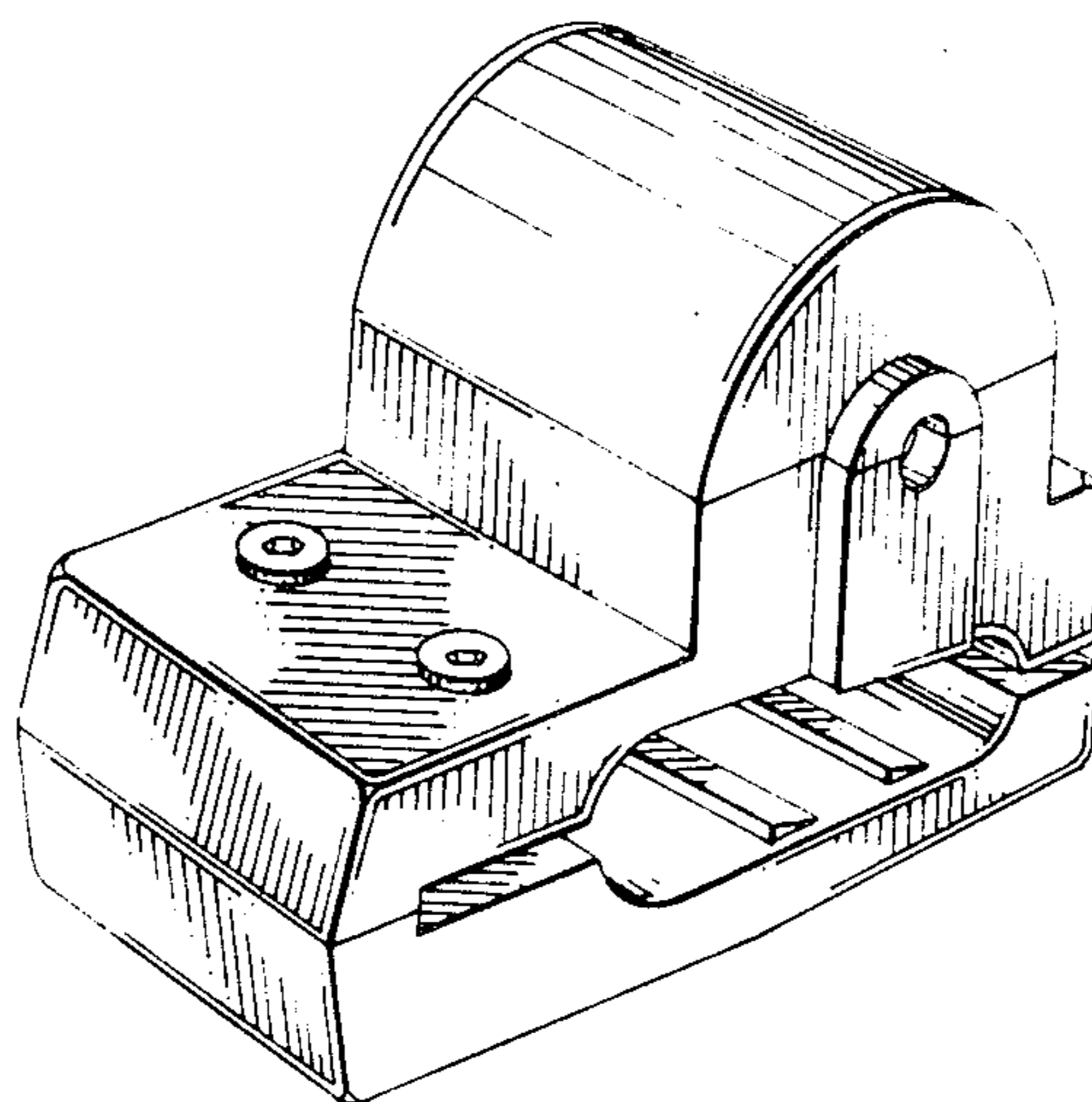
Primary Examiner—Theodore M. Shooman
Attorney, Agent, or Firm—J. Michael McClanahan

[57] CLAIM

The ornamental design for a microphone mount, as shown.

DESCRIPTION

FIG. 1 is a top, rear and right side perspective view of a microphone mount showing our new design; FIG. 2 is a front elevational view thereof; FIG. 3 is a top plan view thereof; FIG. 4 is a bottom plan view thereof; FIG. 5 is a right side elevational view thereof; and FIG. 6 is a left side elevational view thereof.



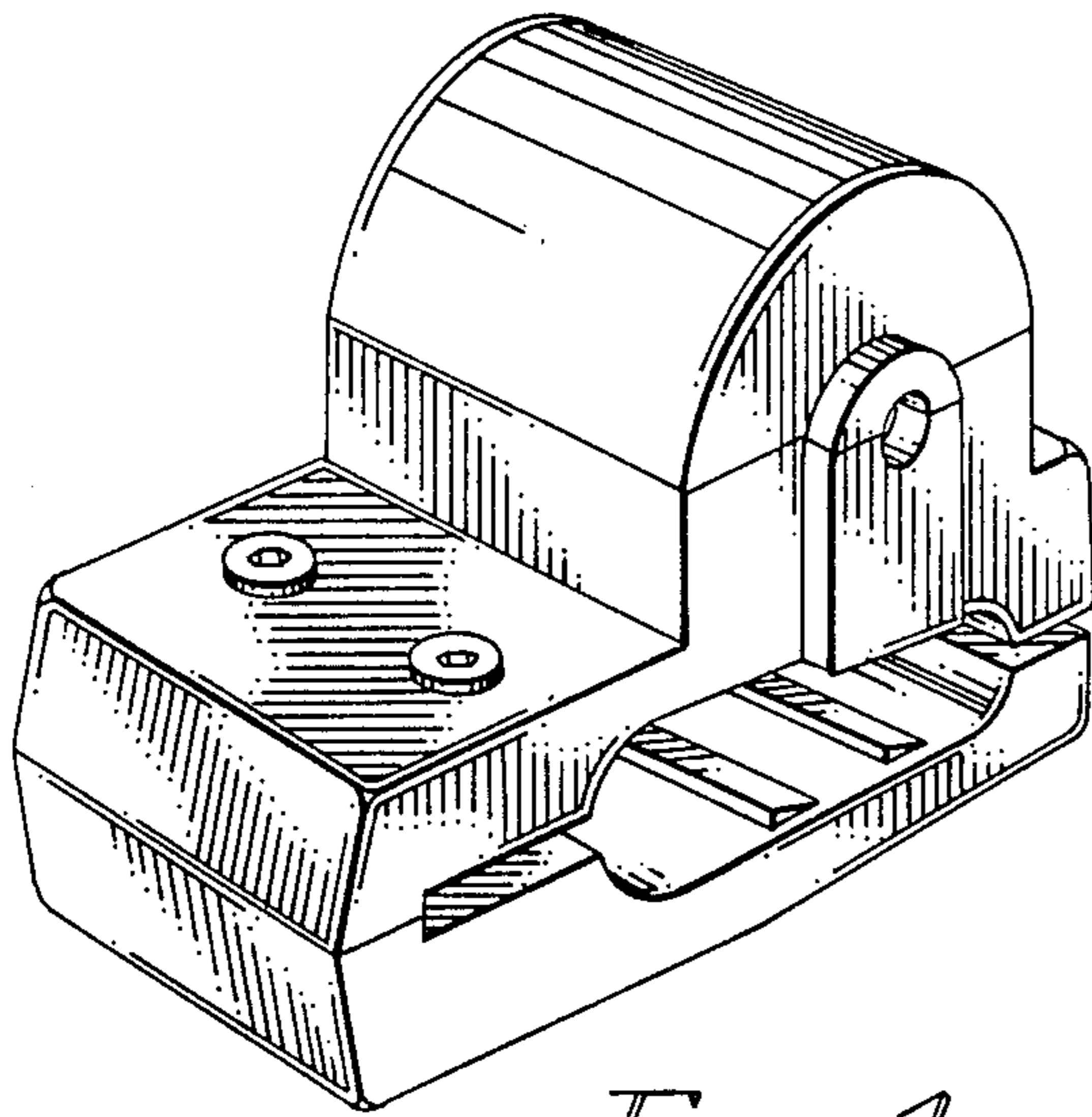


FIG. 1

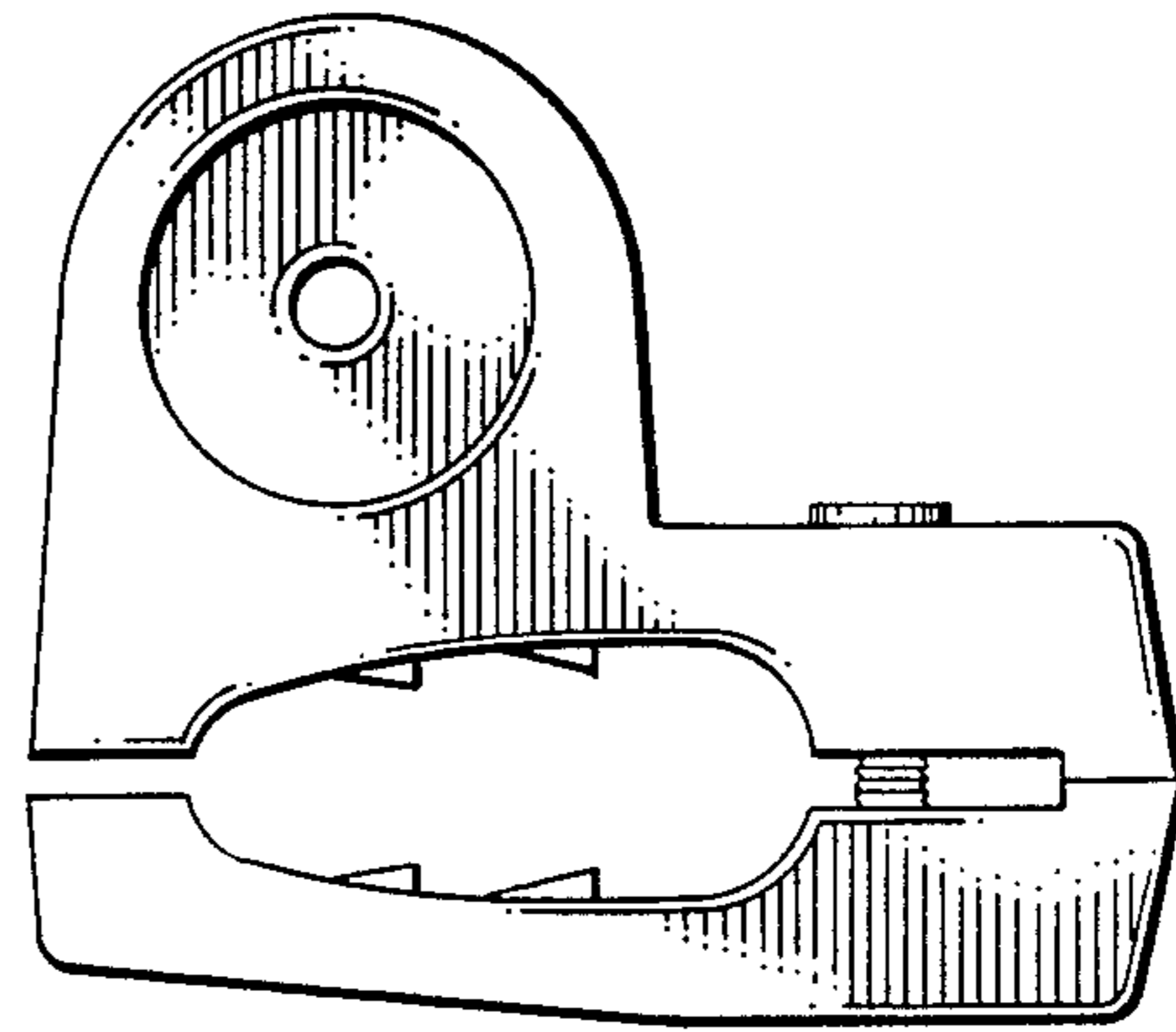


FIG. 2

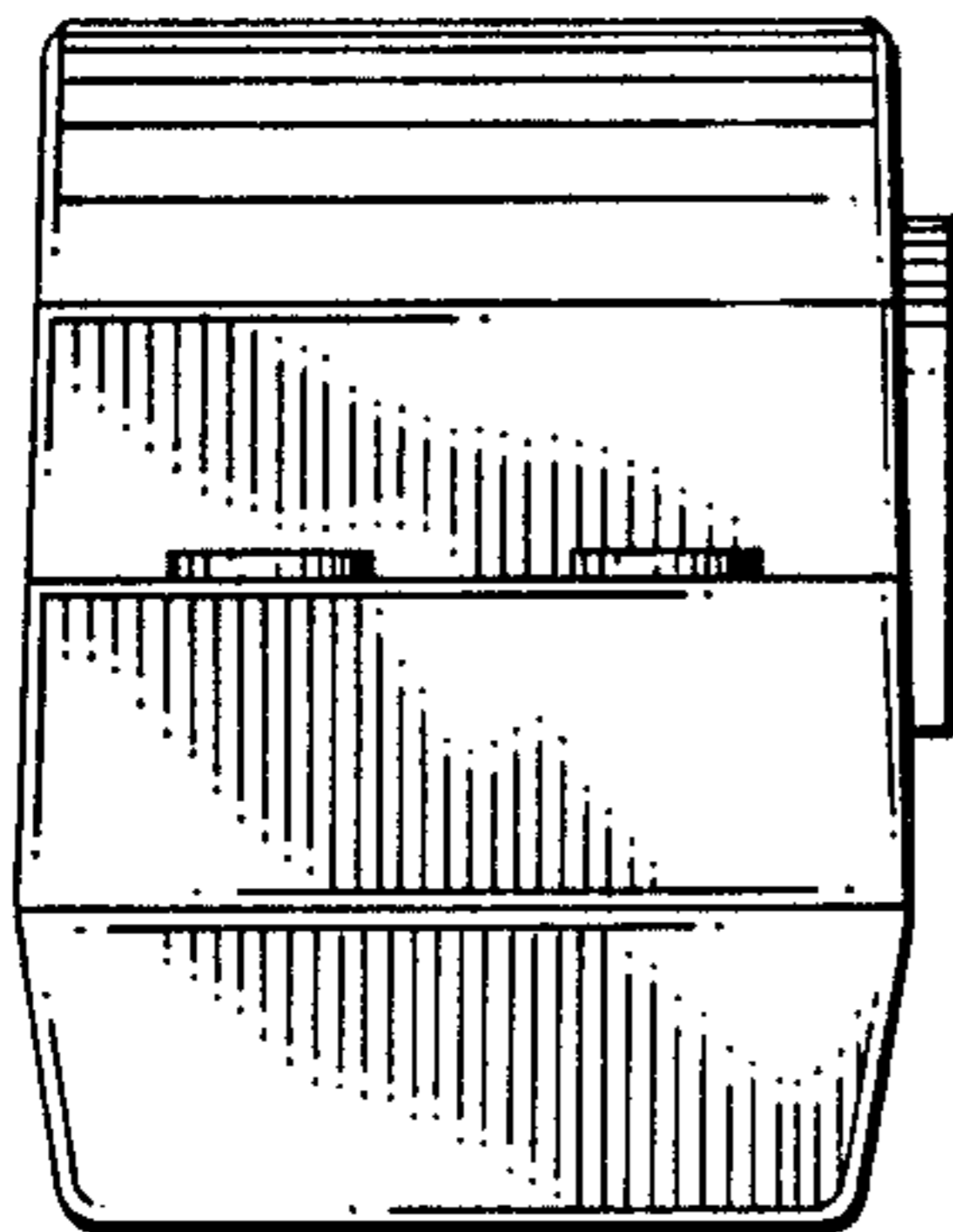


FIG. 5

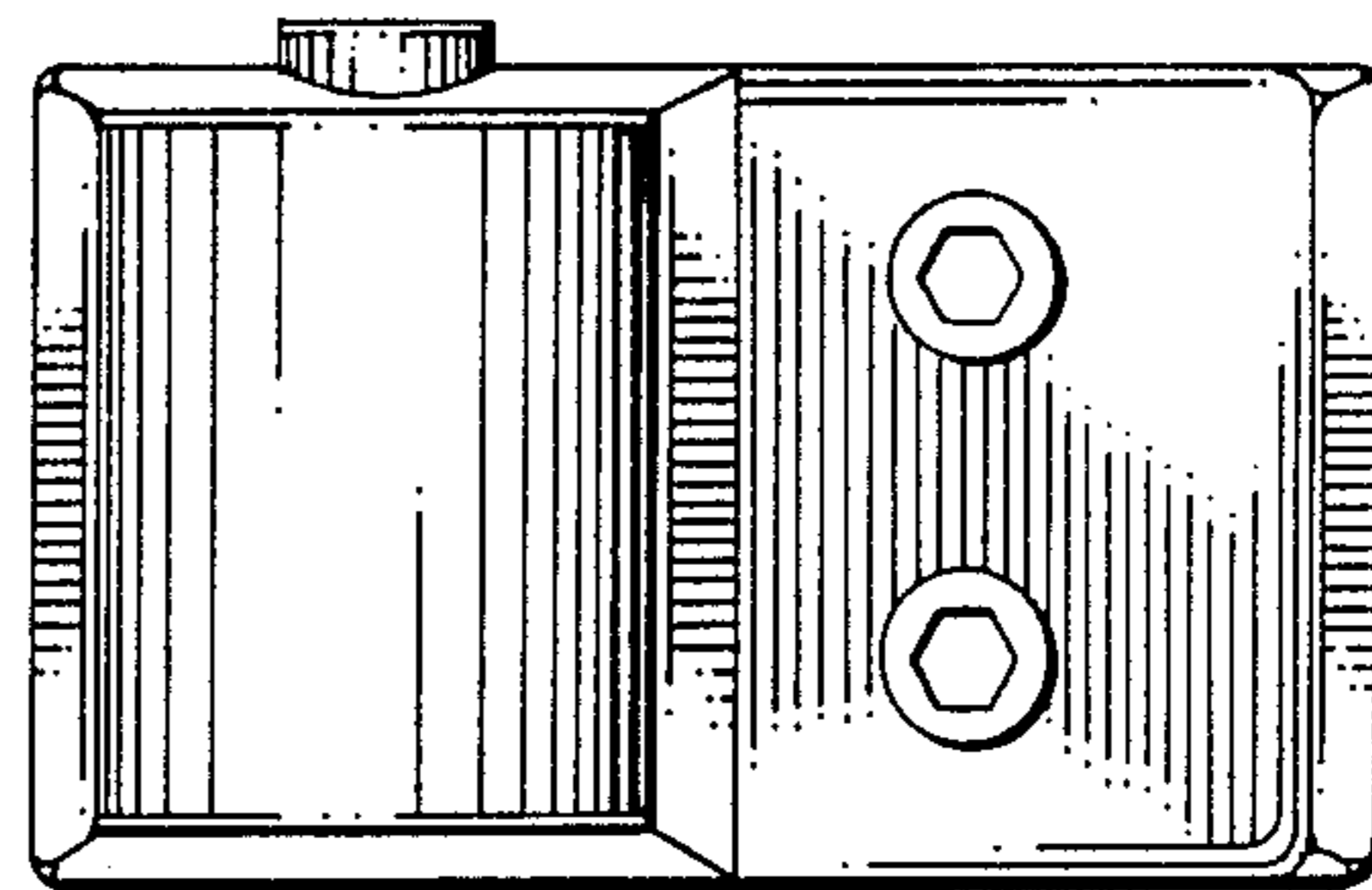


FIG. 3

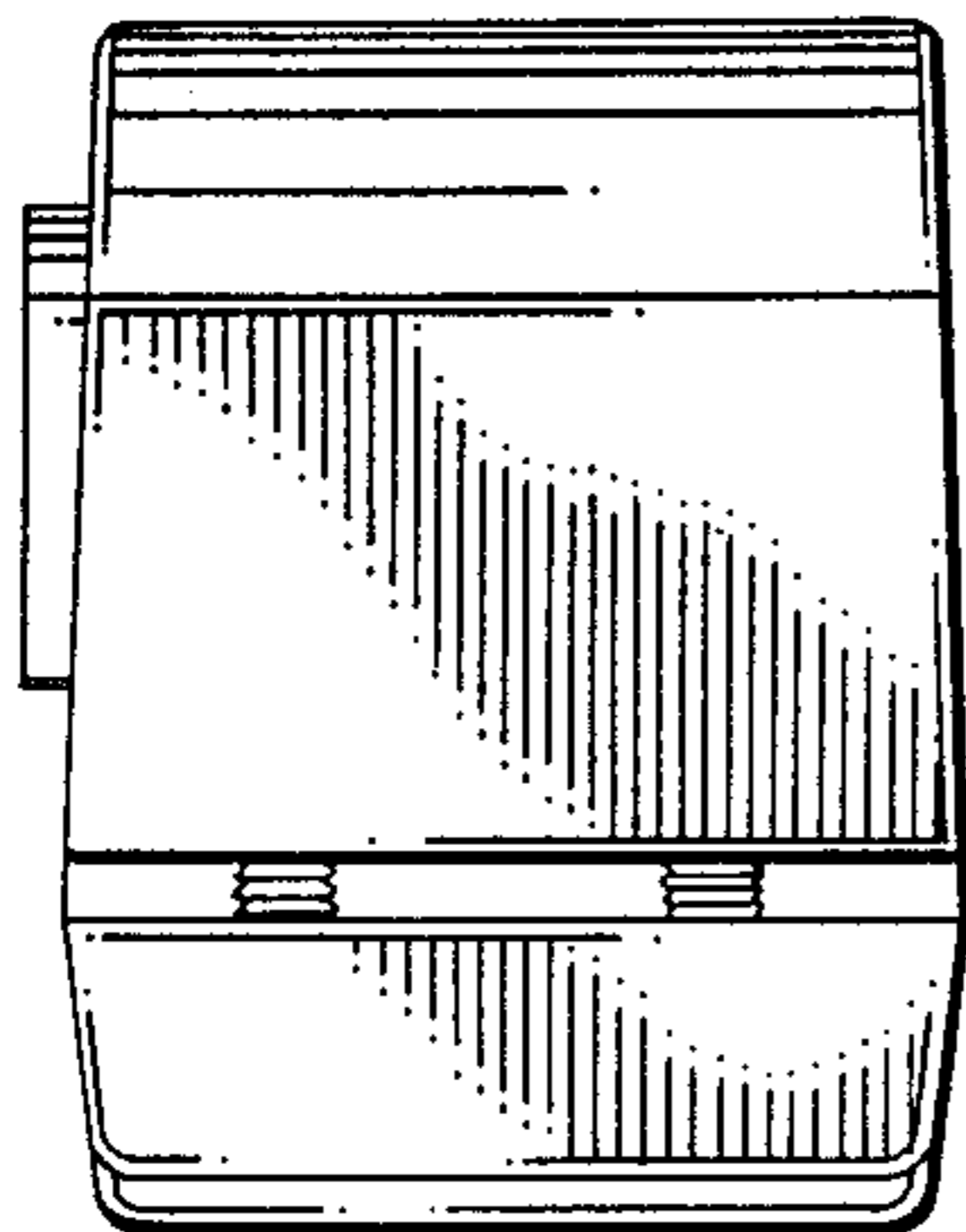


FIG. 6

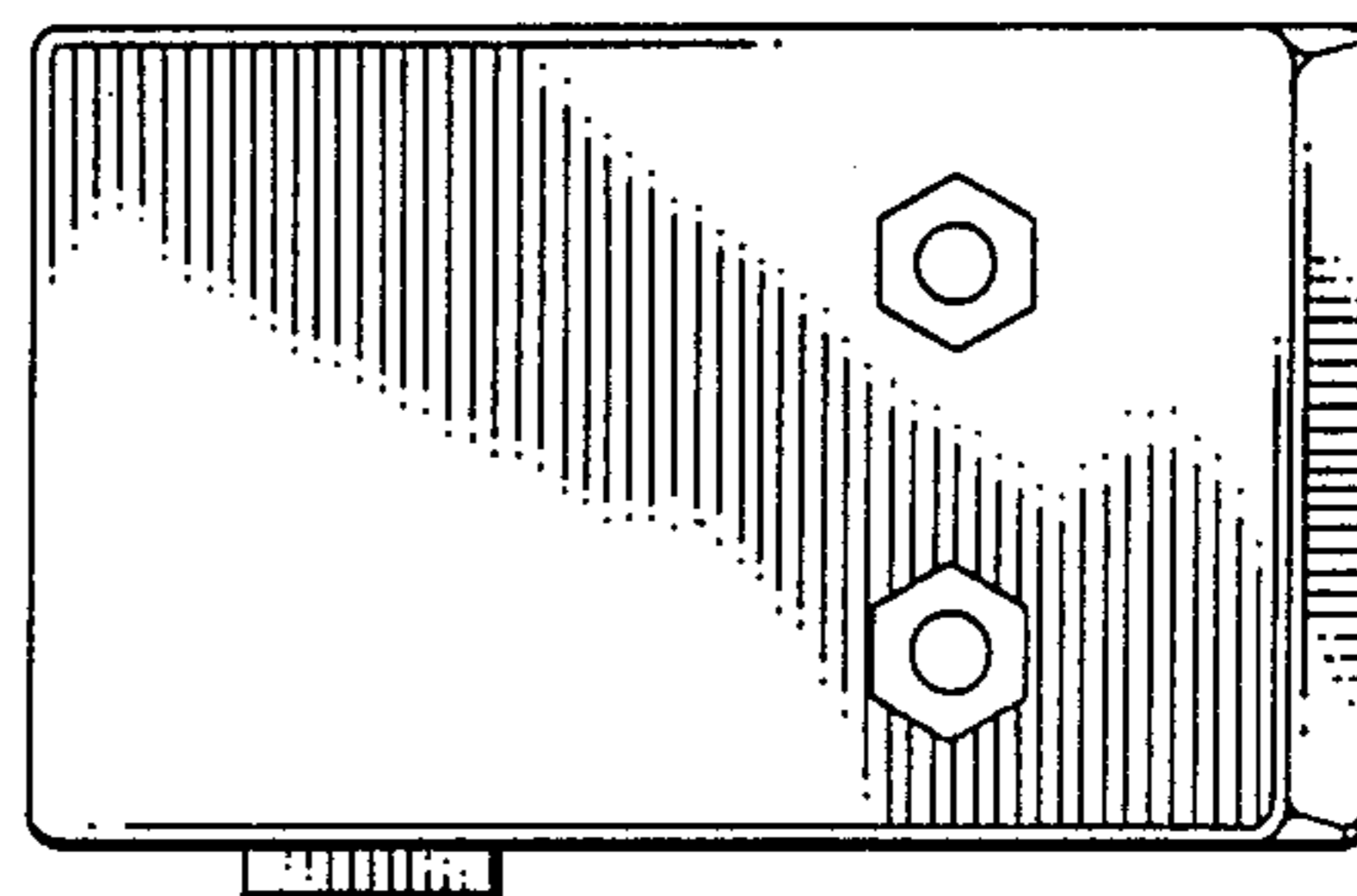


FIG. 4