

[54] TELEVISION RECEIVER

[75] Inventors: Yuzo Fujii, Ibaraki; Hiroshi Yasuno, Takatsuki, both of Japan

[73] Assignee: Matsushita Electric Industrial Co., Ltd., Osaka, Japan

[**] Term: 14 Years

[21] Appl. No.: 131,720

[22] Filed: Dec. 11, 1987

[30] Foreign Application Priority Data

Jun. 19, 1987 [JP] Japan 62-25138
[52] U.S. Cl. D14/126
[58] Field of Search D14/125-134, D14/113; 358/236, 254, 255; 312/7.2

[56] References Cited

U.S. PATENT DOCUMENTS

- D. 274,906 7/1984 Kawanabe et al. D14/126
D. 277,854 3/1985 Masuba D14/126
D. 289,398 4/1987 Chuboff et al. D14/126
D. 298,247 10/1988 Kogane et al. D14/126
D. 300,830 4/1989 Lowry D14/126

FOREIGN PATENT DOCUMENTS

518384 7/1954 Italy 358/254

OTHER PUBLICATIONS

Video Review, Apr. 1986, p. 86, center left—NEC Digital TV.
Video Review, Jan. 1986, p. 31, top—Sony TV.
Hatachi Catalog, dated Jul. 1986, "Exiting 29".
Mitsubishi Catalog, dated Apr. 1987, "28C893".
Pioneer Catalog, dated Dec. 1986, "Seed".
Soney Catalog, dated Oct. 1986, "KU-28CXR2".

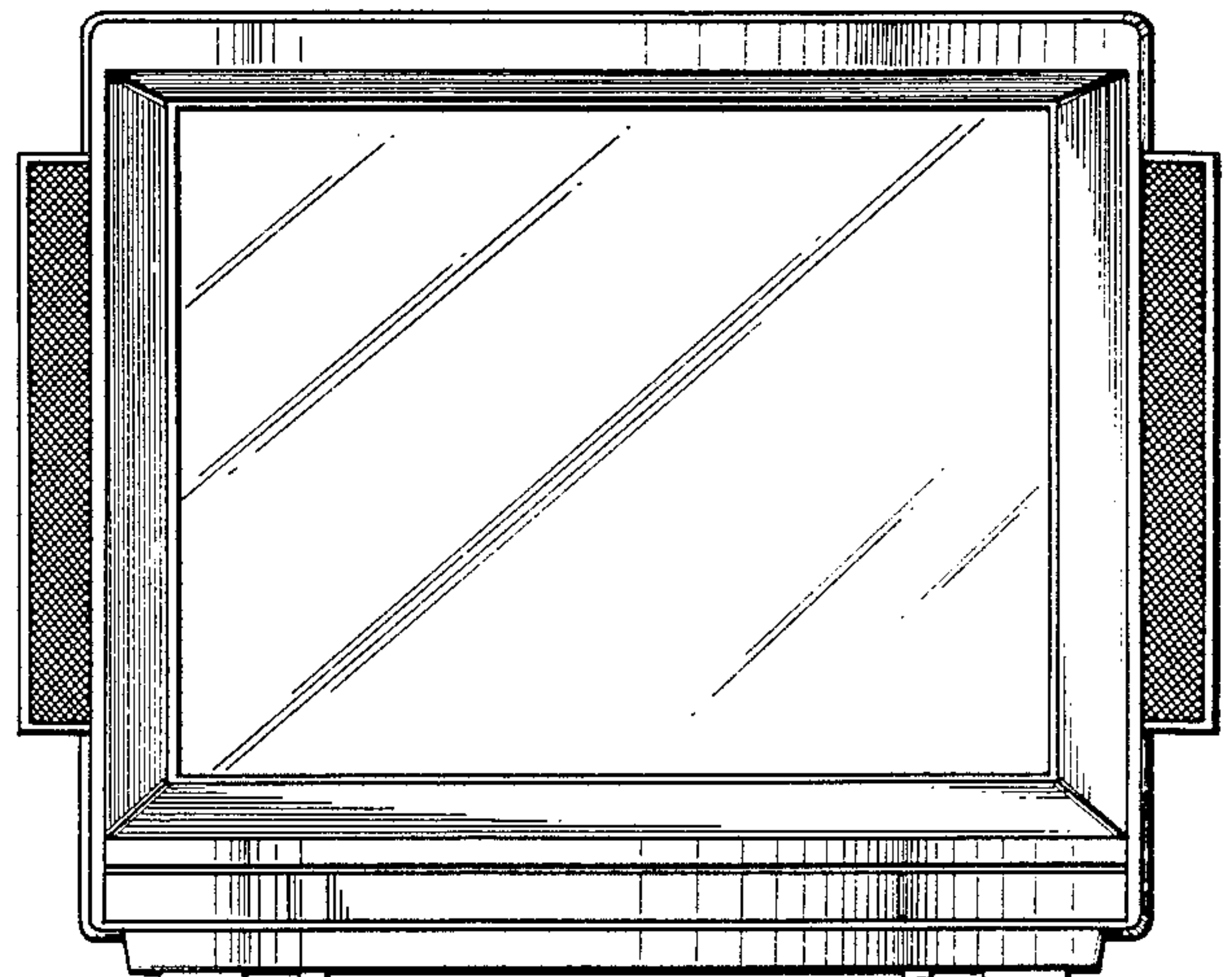
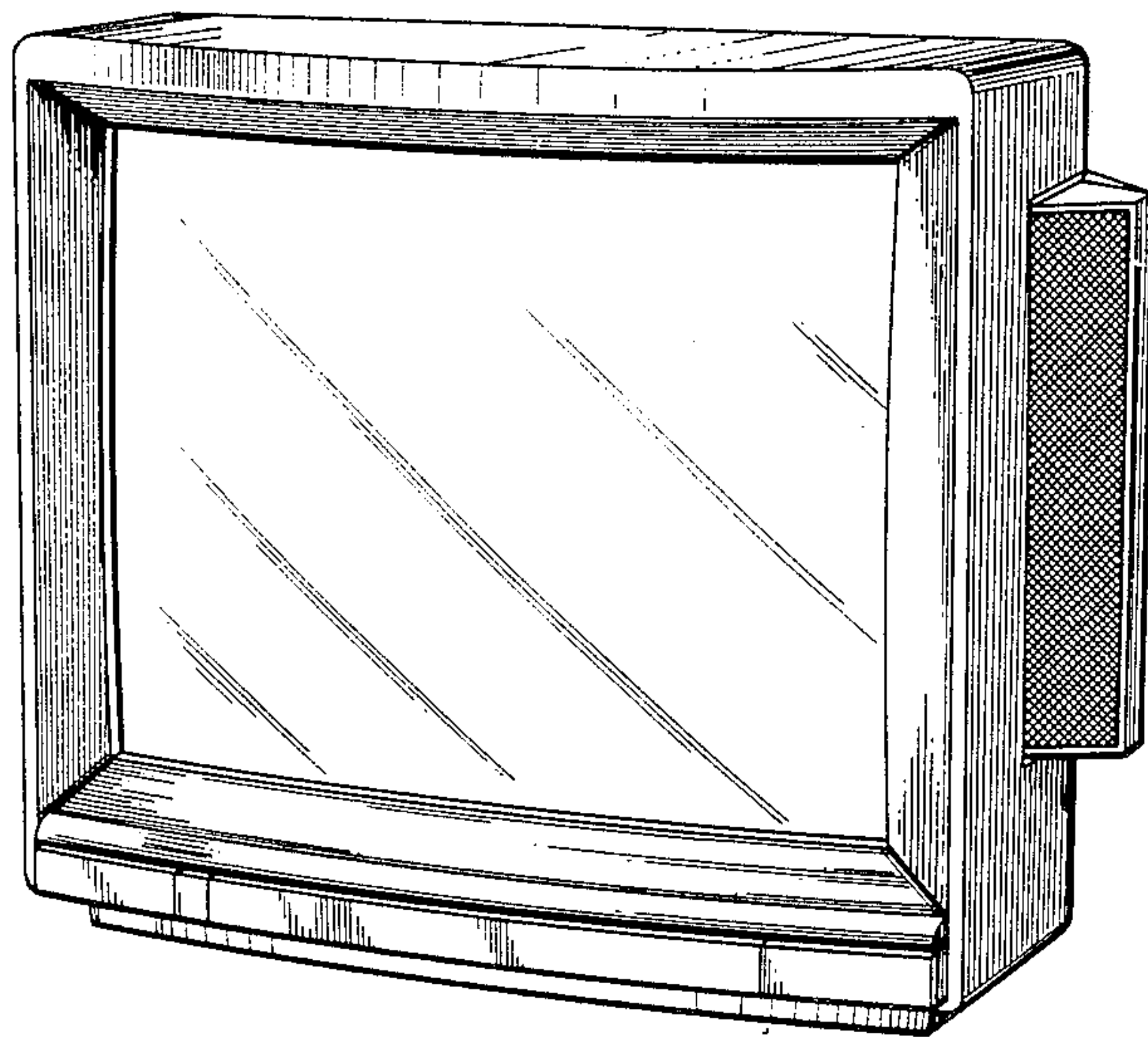
Primary Examiner—Bernard Ansher
Assistant Examiner—Theodore M. Shooman
Attorney, Agent, or Firm—Wenderoth, Lind & Ponack

[57] CLAIM

The ornamental design for a television receiver, as shown.

DESCRIPTION

FIG. 1 is a top, front and right side perspective view of a television receiver showing our new design;
FIG. 2 is a front elevational view thereof;
FIG. 3 is a rear elevational view thereof;
FIG. 4 is a top plan view thereof;
FIG. 5 is a bottom plan view thereof;
FIG. 6 is a left side elevational view thereof; and
FIG. 7 is a right side elevational view thereof.



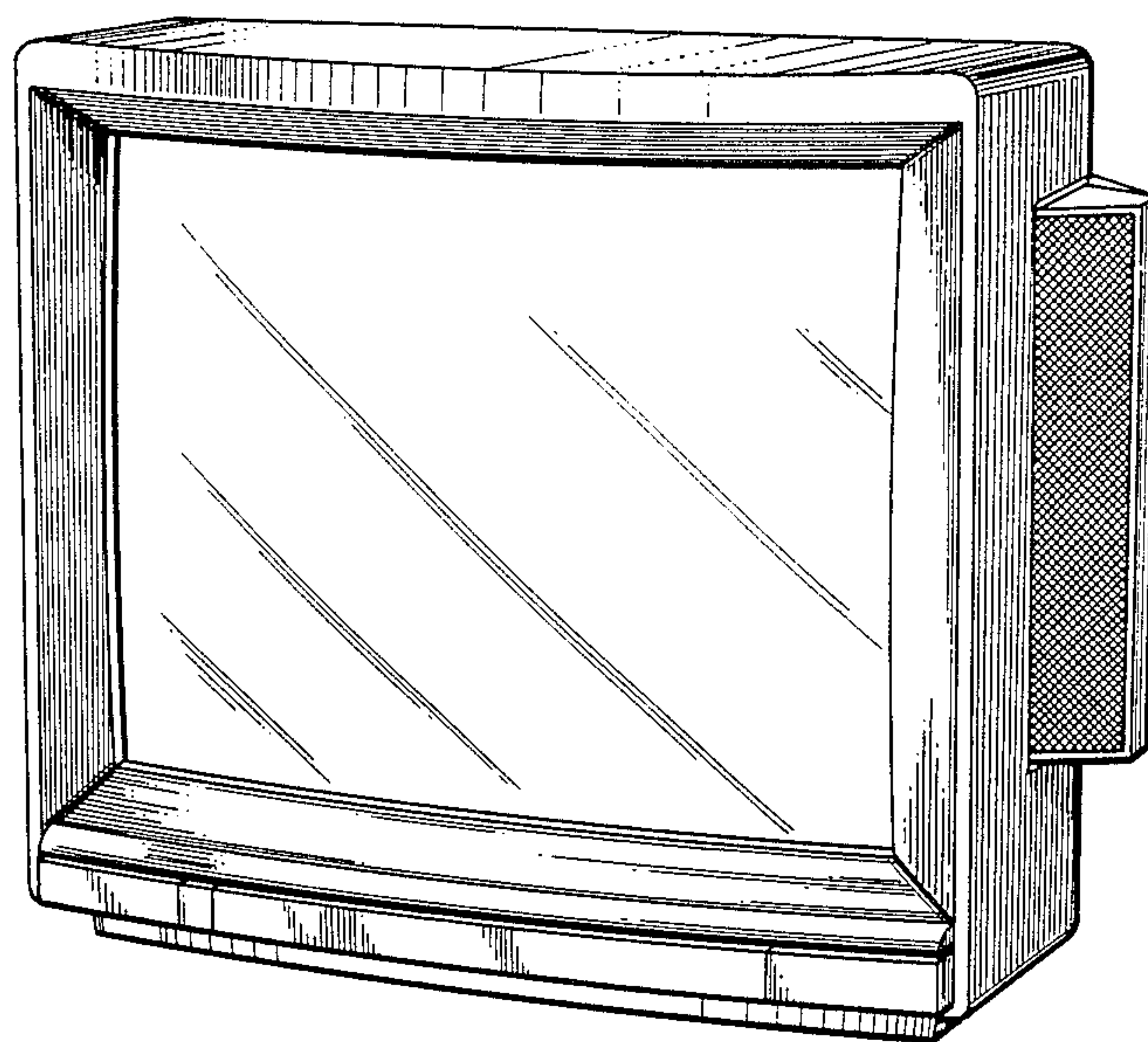


FIG. 1

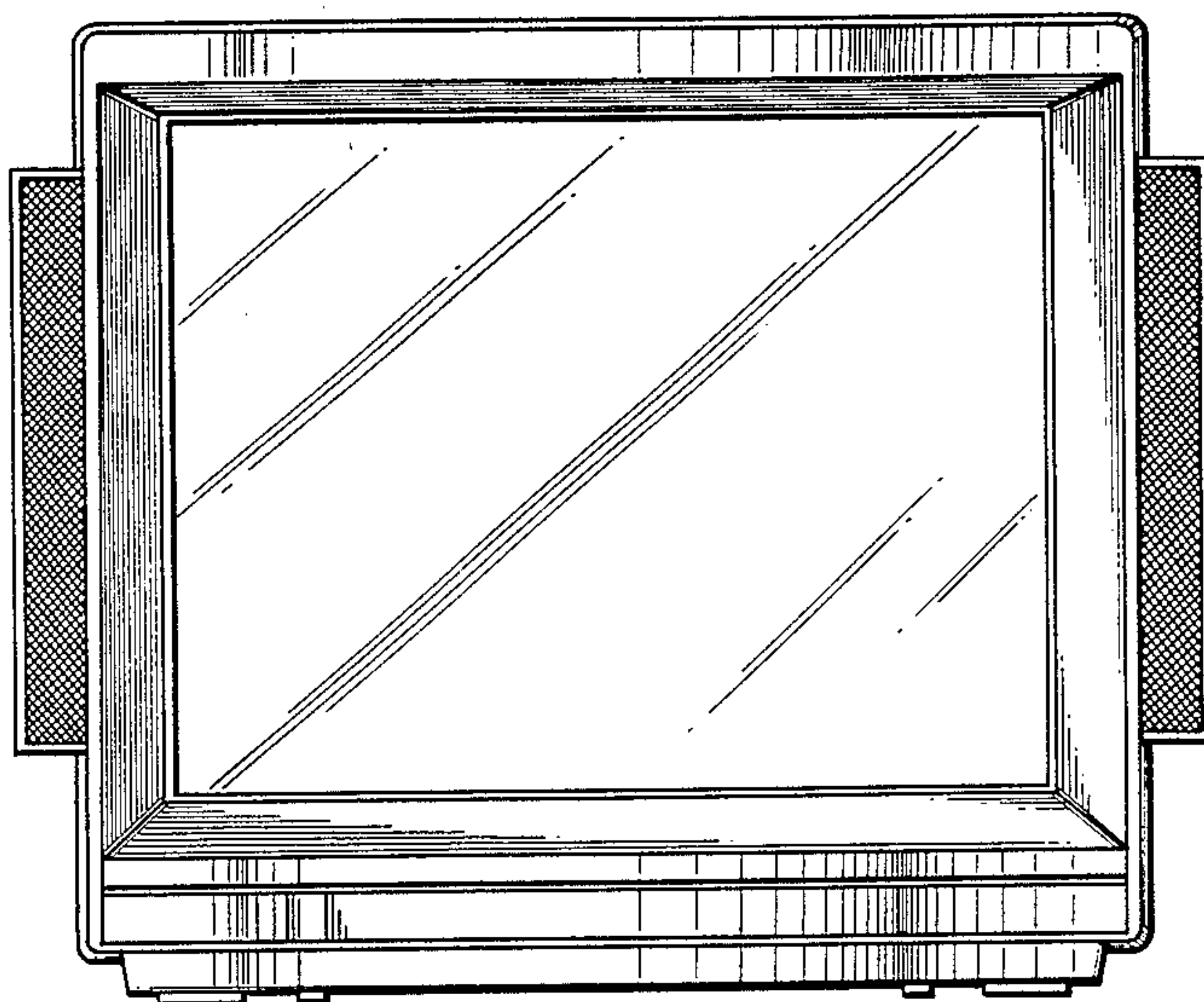


FIG. 2

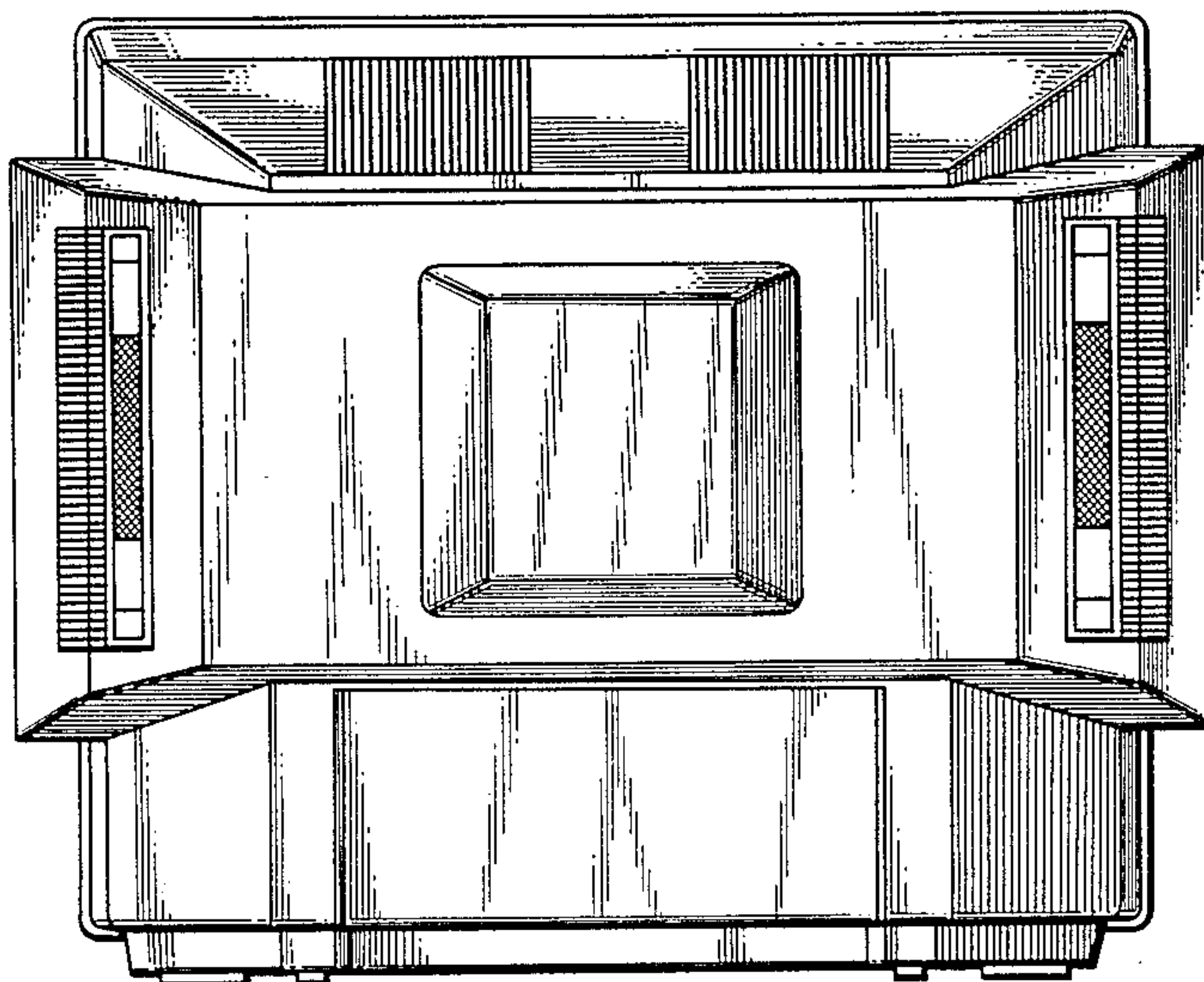


FIG. 3

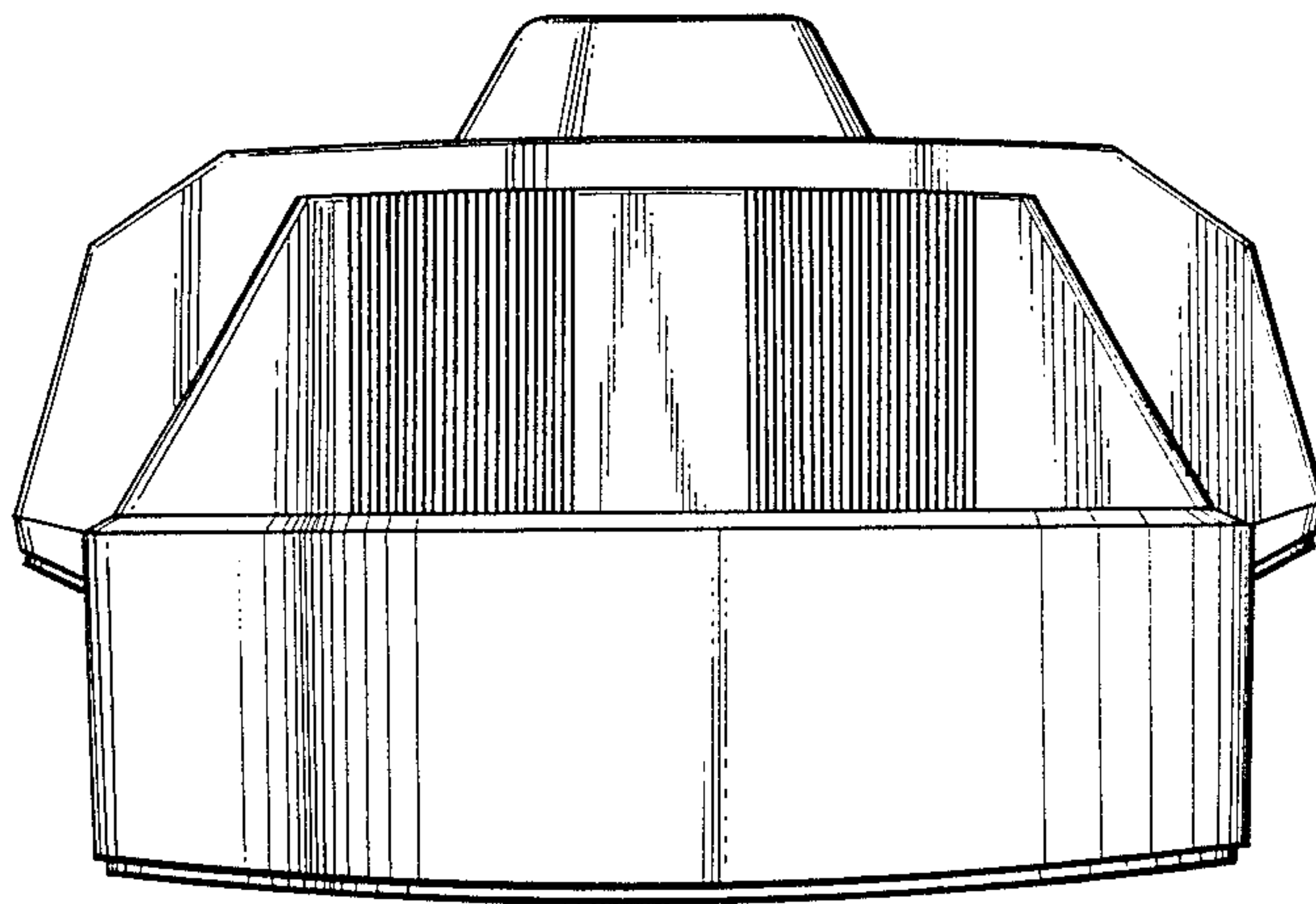


FIG. 4

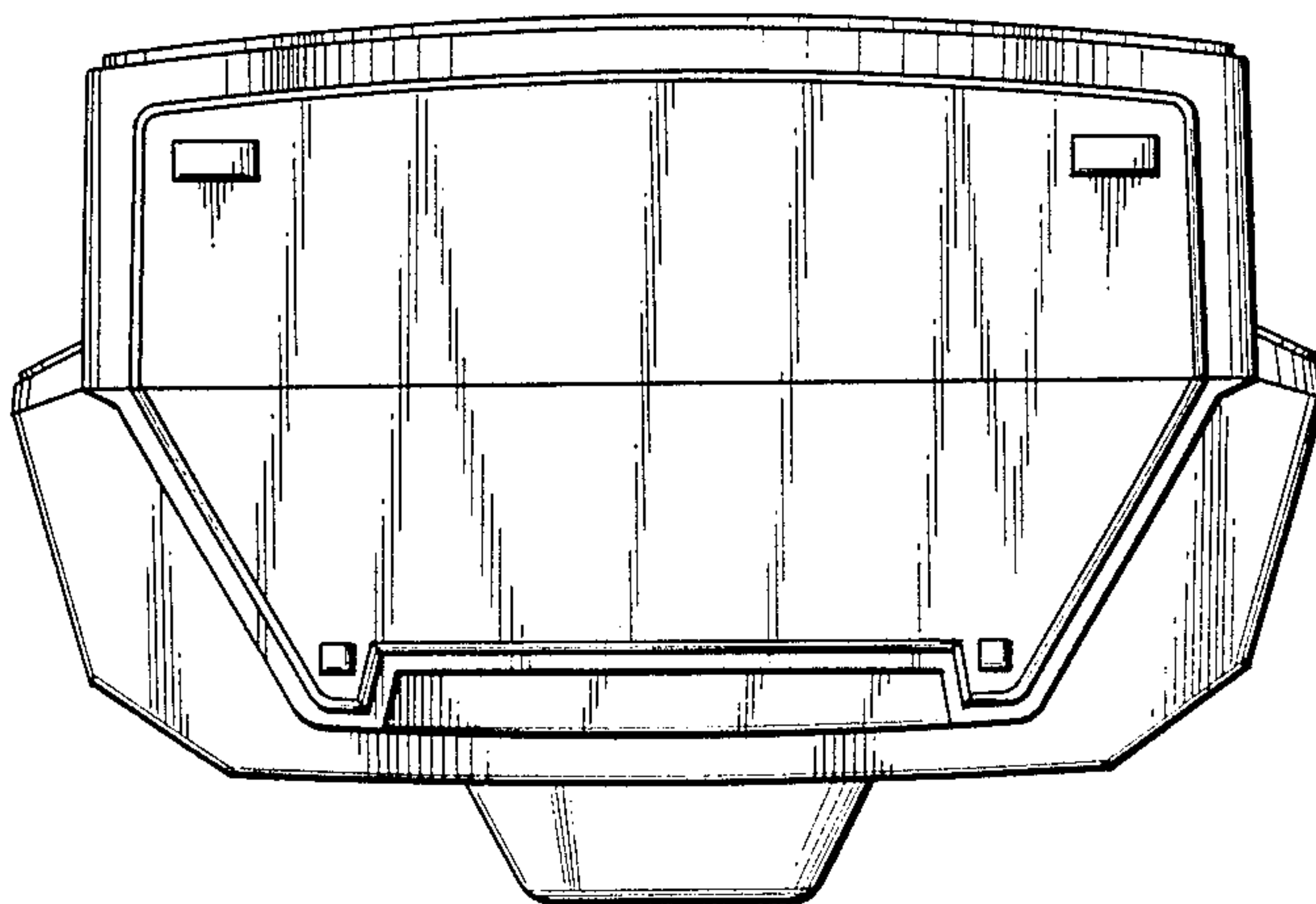


FIG. 5

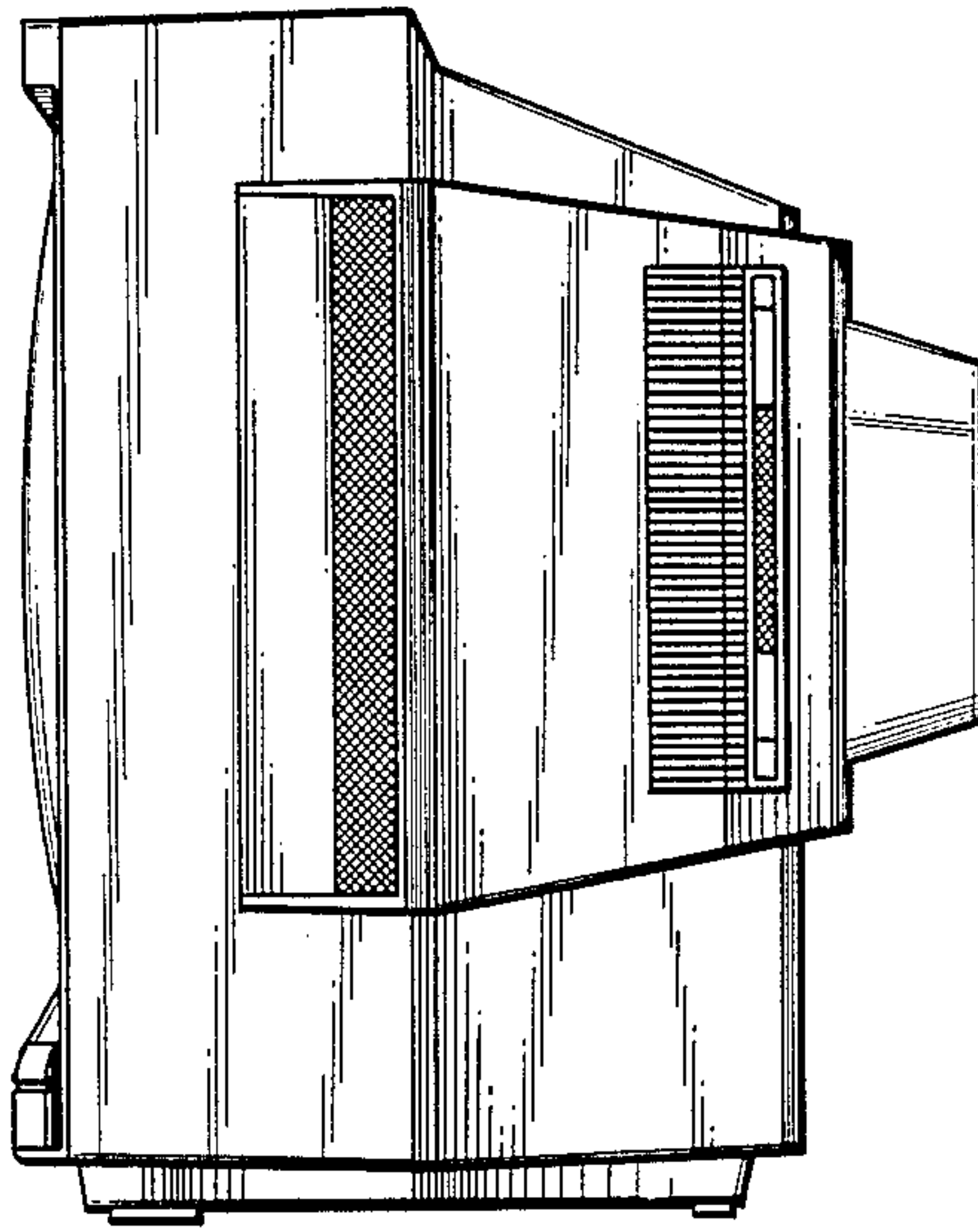


FIG. 6

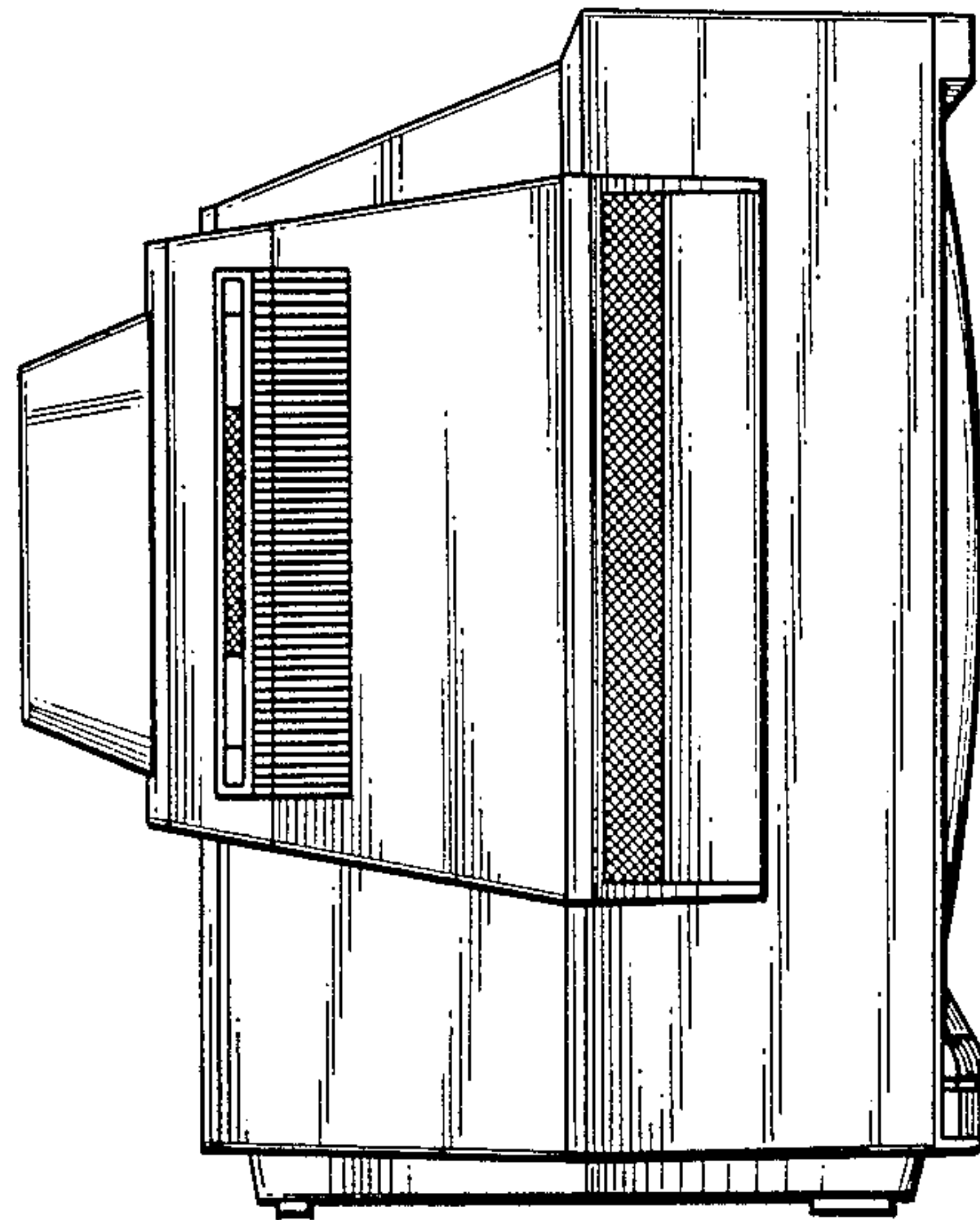


FIG. 7