

[54] OPTICAL DISK CARTRIDGE

4,644,521 2/1987 Davis et al. .... 360/133 X  
4,845,582 7/1989 Tanaka et al. .... 360/133

[75] Inventors: James E. Nash, St. Paul; David C. Byram, River Falls; John F. Fairchild, Hugo, all of Minn.

Primary Examiner—Susan J. Lucas  
Assistant Examiner—Freda S. Nunn  
Attorney, Agent, or Firm—Donald M. Sell; Walter N. Kirn; David W. Anderson

[73] Assignee: Minnesota Mining and Manufacturing Company, St. Paul, Minn.

[57] CLAIM

[\*\*] Term: 14 Years

The ornamental design for an optical disk cartridge, as shown and described.

[21] Appl. No.: 270,109

DESCRIPTION

[22] Filed: Nov. 14, 1988

[52] U.S. Cl. .... D14/114

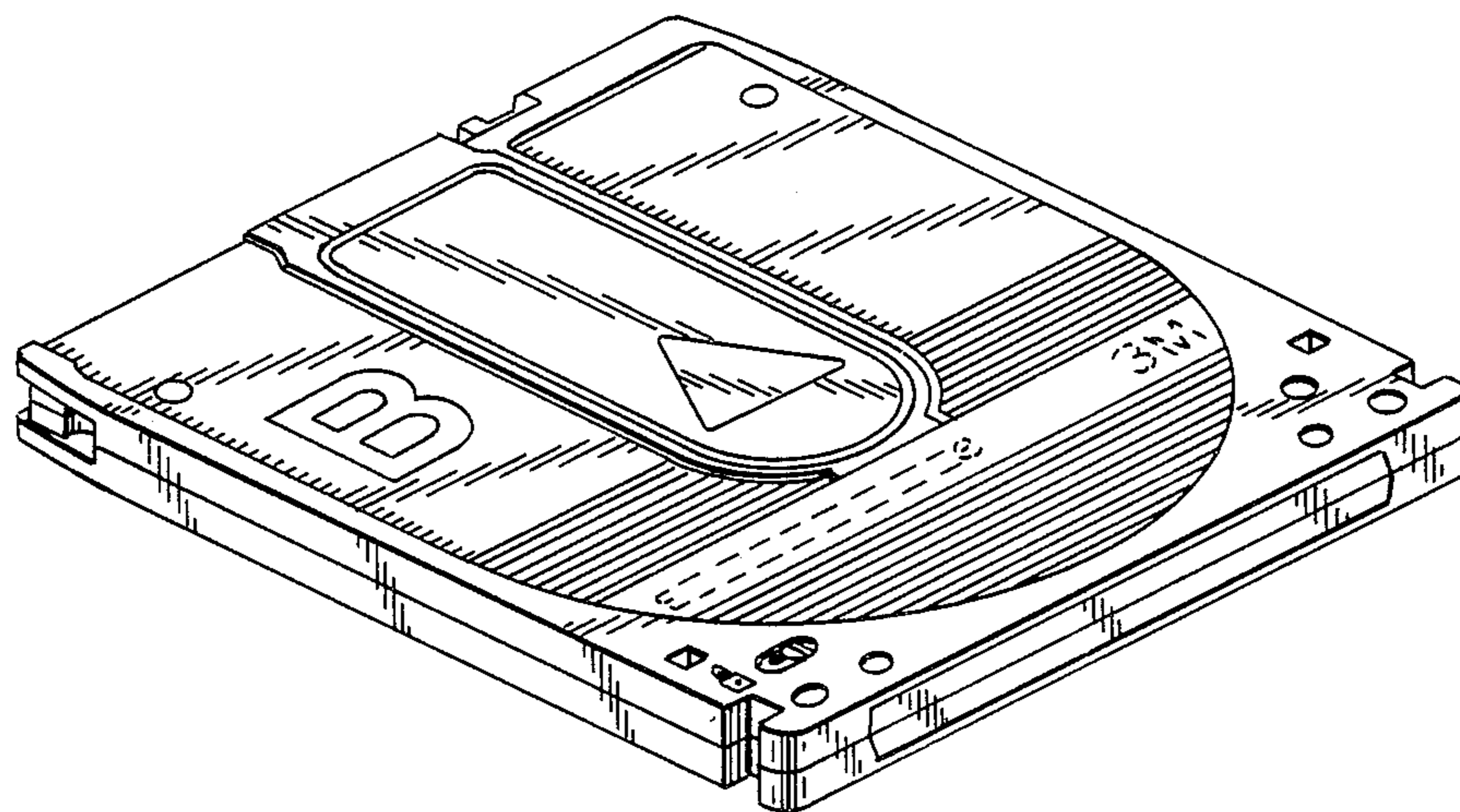
[58] Field of Search ..... D14/100, 107, 114;  
360/132, 133, 135, 97-99, 60; 206/312, 444;  
369/106, 109, 291

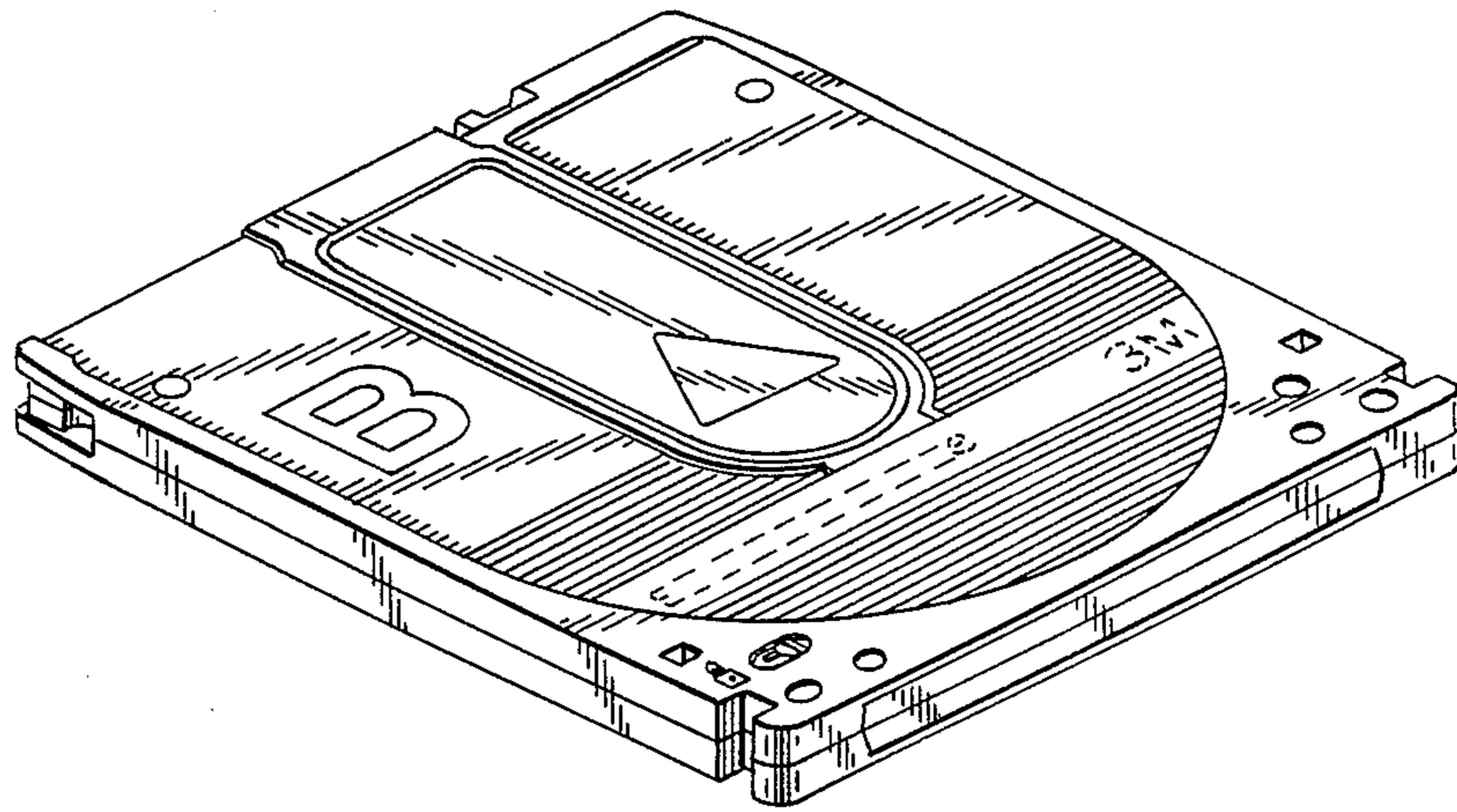
FIG. 1 is a top, front, left side perspective view of an optical disk cartridge showing our new design;  
FIG. 2 is a front elevational view thereof;  
FIG. 3 is a left side elevational view thereof, the right side being a mirror image;  
FIG. 4 is a rear elevational view thereof;  
FIG. 5 is a top plan view thereof.  
The "3M" logo and label are shown in broken lines in FIGS. 1, 2 and 4 for illustrative purposes only and form no part of the claimed design.

[56] References Cited

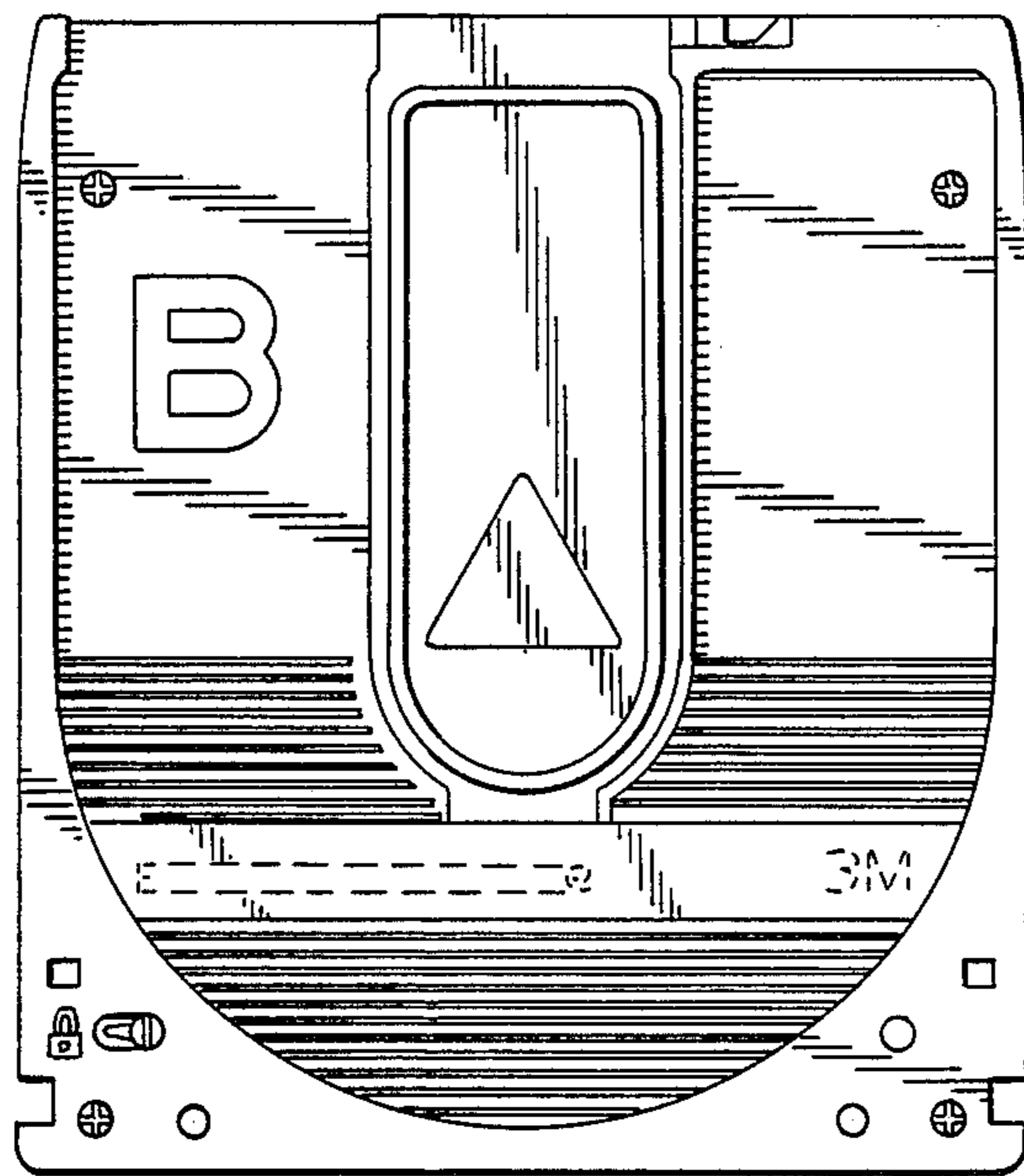
U.S. PATENT DOCUMENTS

D. 297,938 10/1988 Hara ..... D14/114

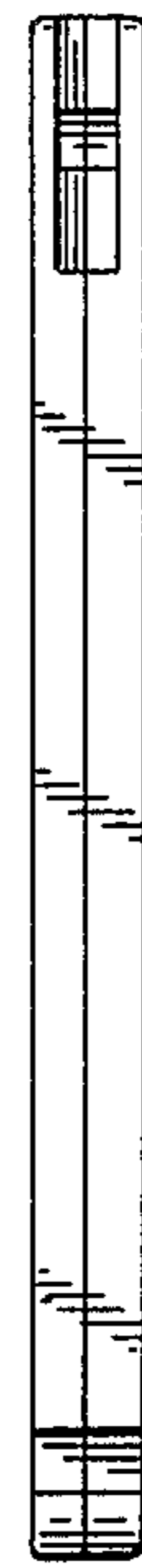




*FIG. 1*



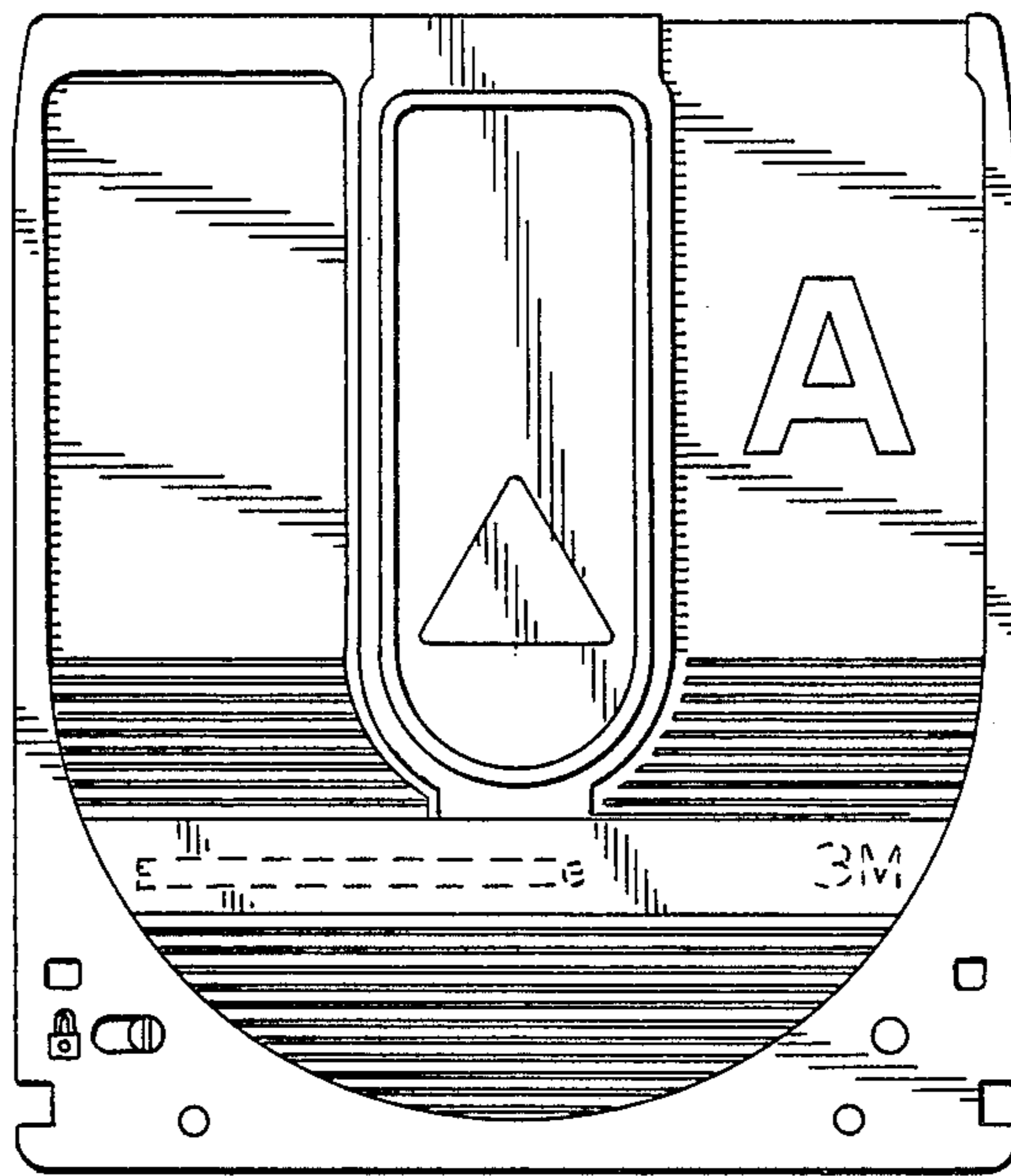
*FIG. 2*



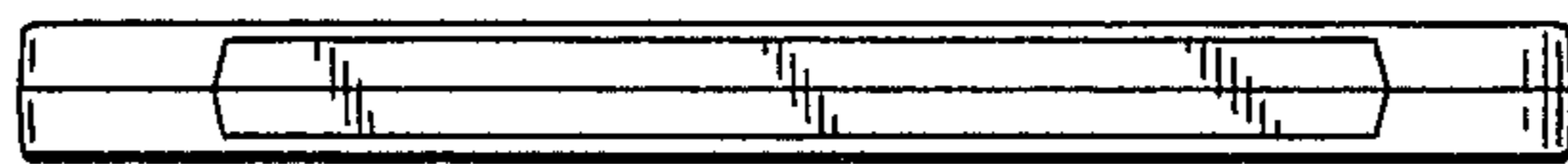
*FIG. 3*



*FIG. 5*



*FIG. 4*



*FIG. 6*