

[54] COMPUTER ENCLOSURE

[75] Inventor: Leo J. Peters, III, Bellaire, Tex.

[73] Assignee: PMST Ltd., Houston, Tex.

[**] Term: 14 Years

[21] Appl. No.: 372,304

[22] Filed: Jun. 27, 1989

[52] U.S. Cl. D14/102; D6/432; D14/107

[58] Field of Search D14/100, 102, 107, 108, D14/109; D13/40, 41; D6/422-428, 432; 200/5 A, 5 R, 6 A, 6 R; 312/208, 201, 138.1, 299, 350, 253; 360/97-99; 361/390-395, 415, 426

[56] References Cited

U.S. PATENT DOCUMENTS

- D. 250,187 11/1978 Zierhut D14/102
- D. 280,509 9/1985 Marino et al. D14/102
- D. 283,817 5/1986 Sakamoto D14/102

- D. 298,943 12/1988 Haager et al. D14/102
- D. 305,644 1/1990 Rivera et al. D14/102 X
- 4,479,263 10/1984 Rosenfeldt et al. 361/390 X

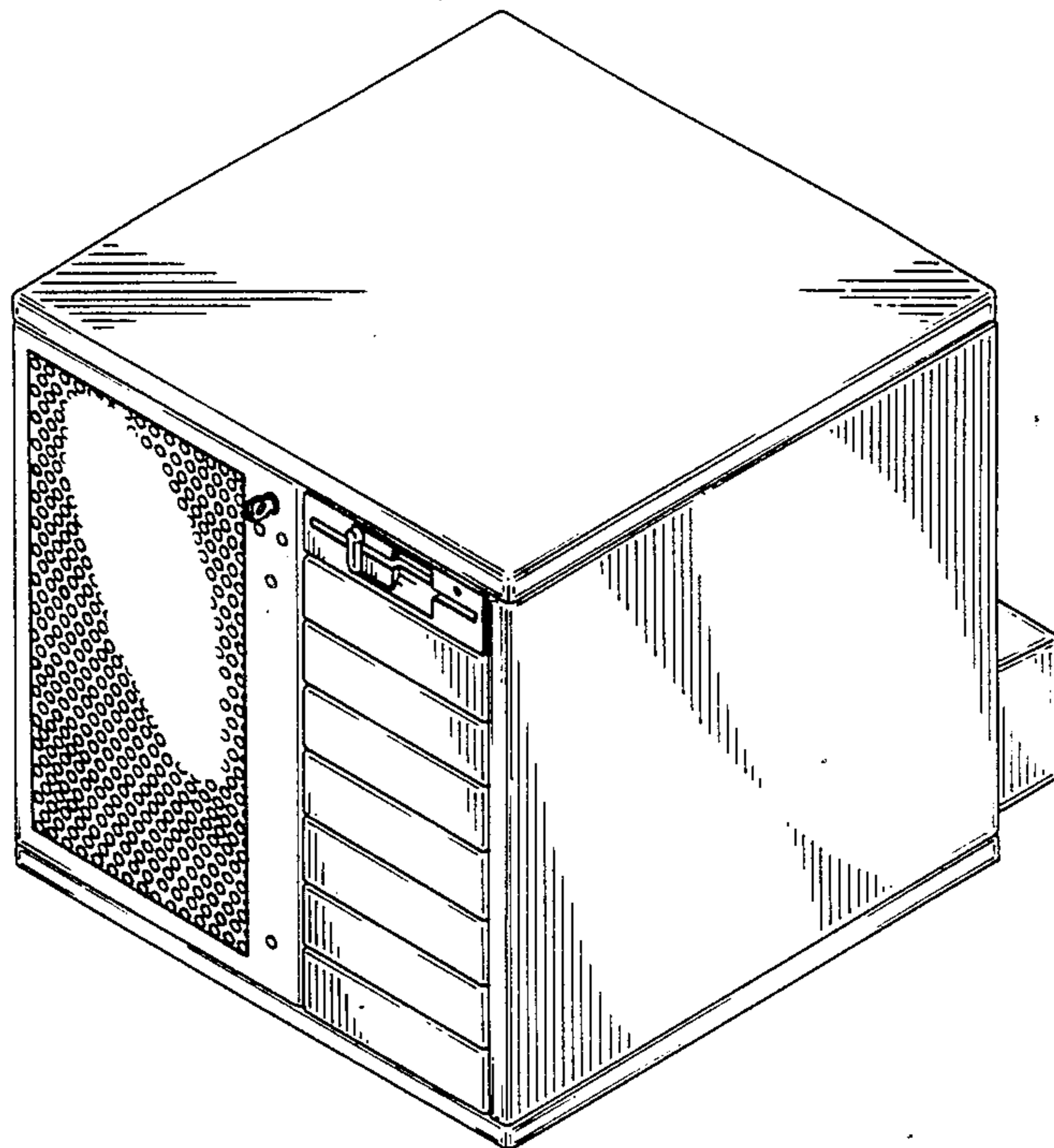
Primary Examiner—Susan J. Lucas
Assistant Examiner—Freda S. Nunn
Attorney, Agent, or Firm—William E. Shull

[57] CLAIM

The ornamental design for a computer enclosure, as shown and described.

DESCRIPTION

FIG. 1 is a top, front, right side perspective view of a computer enclosure showing my new design; FIG. 2 is a front elevational view thereof; FIG. 3 is a right side elevational view thereof, the left side elevational is a mirror image of the right; FIG. 4 is a bottom, rear, left side perspective view thereof. FIG. 5 is a rear elevational view thereof; and FIG. 6 is a bottom plan view thereof.



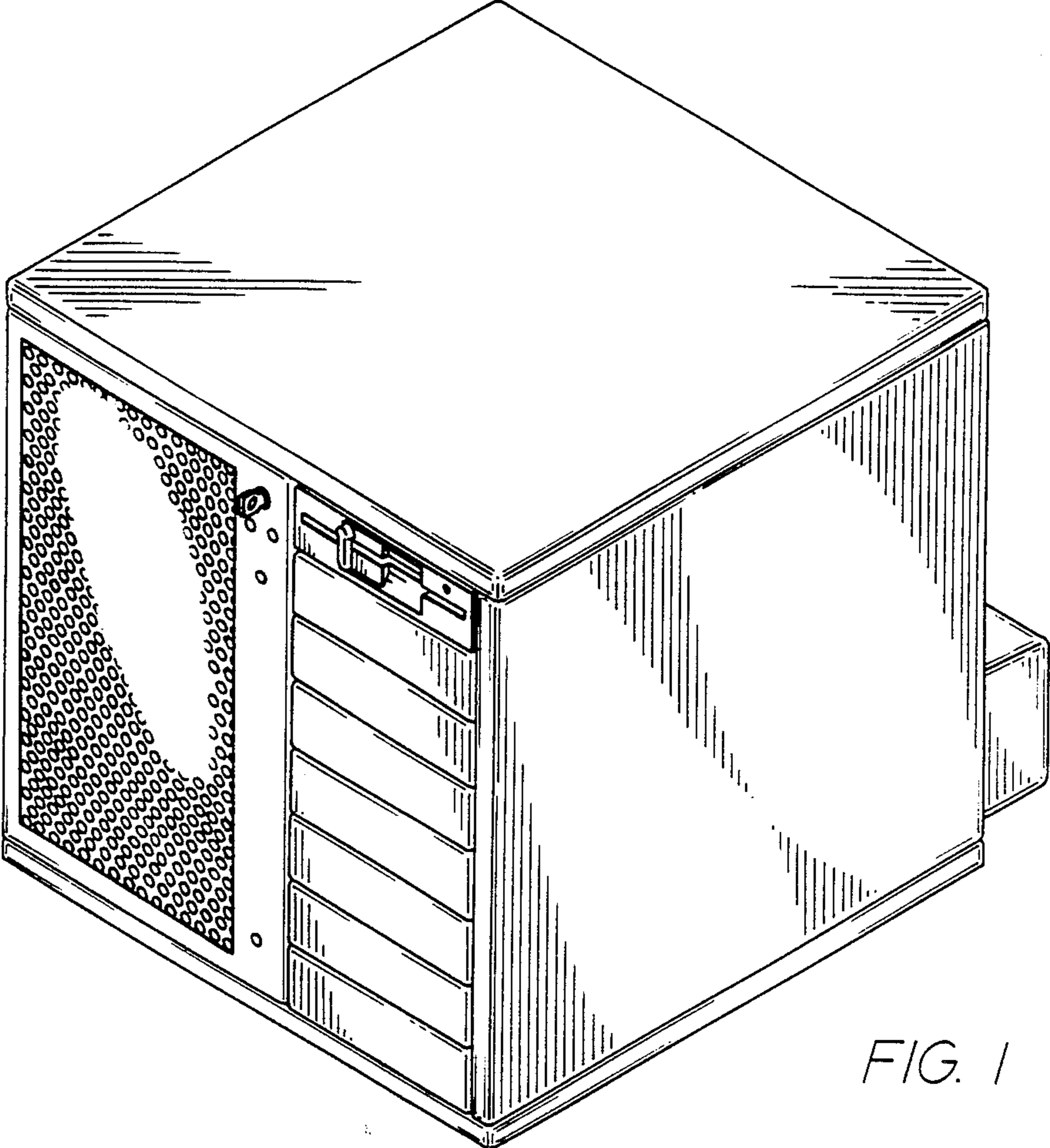


FIG. 1

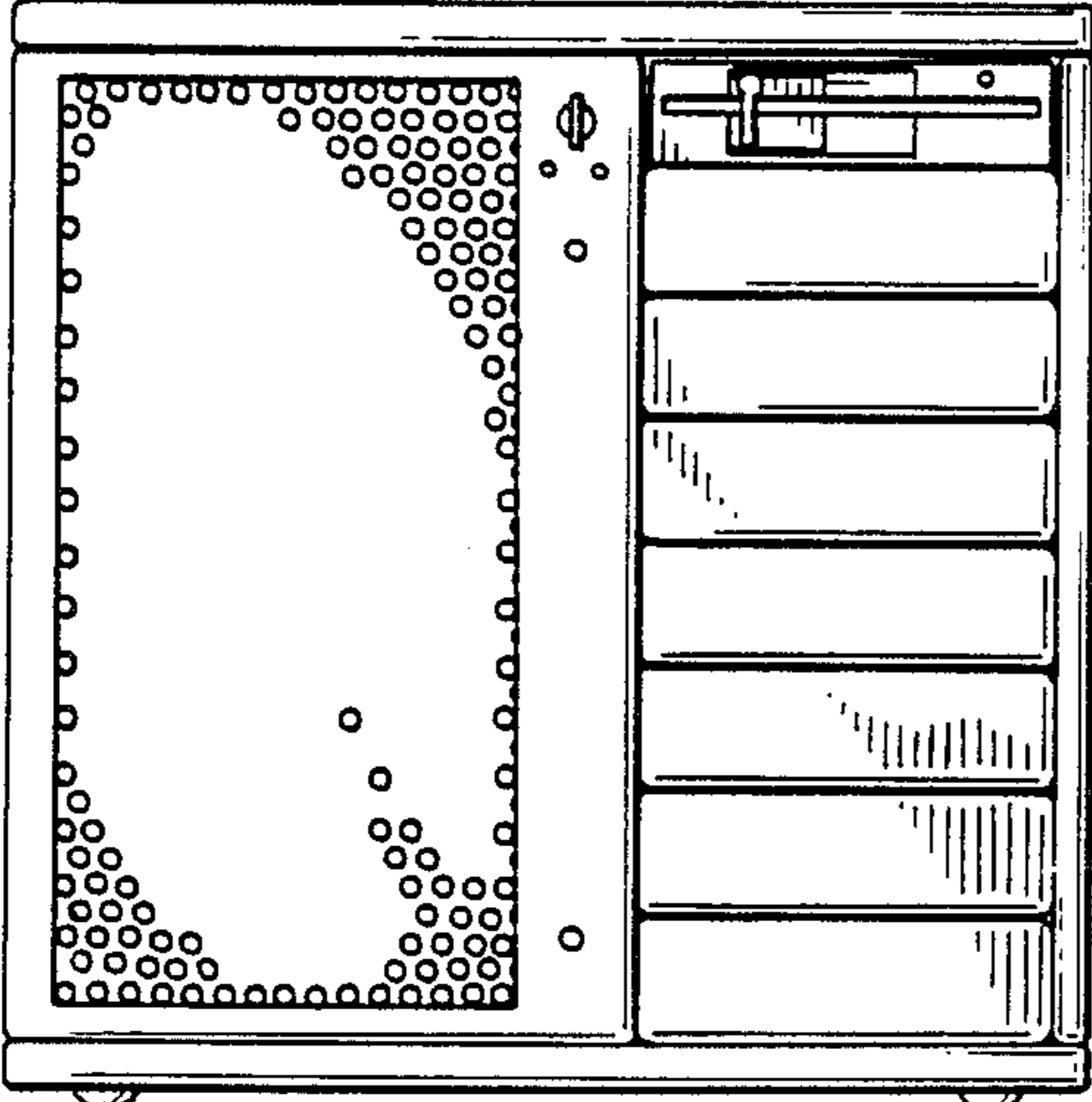


FIG. 2

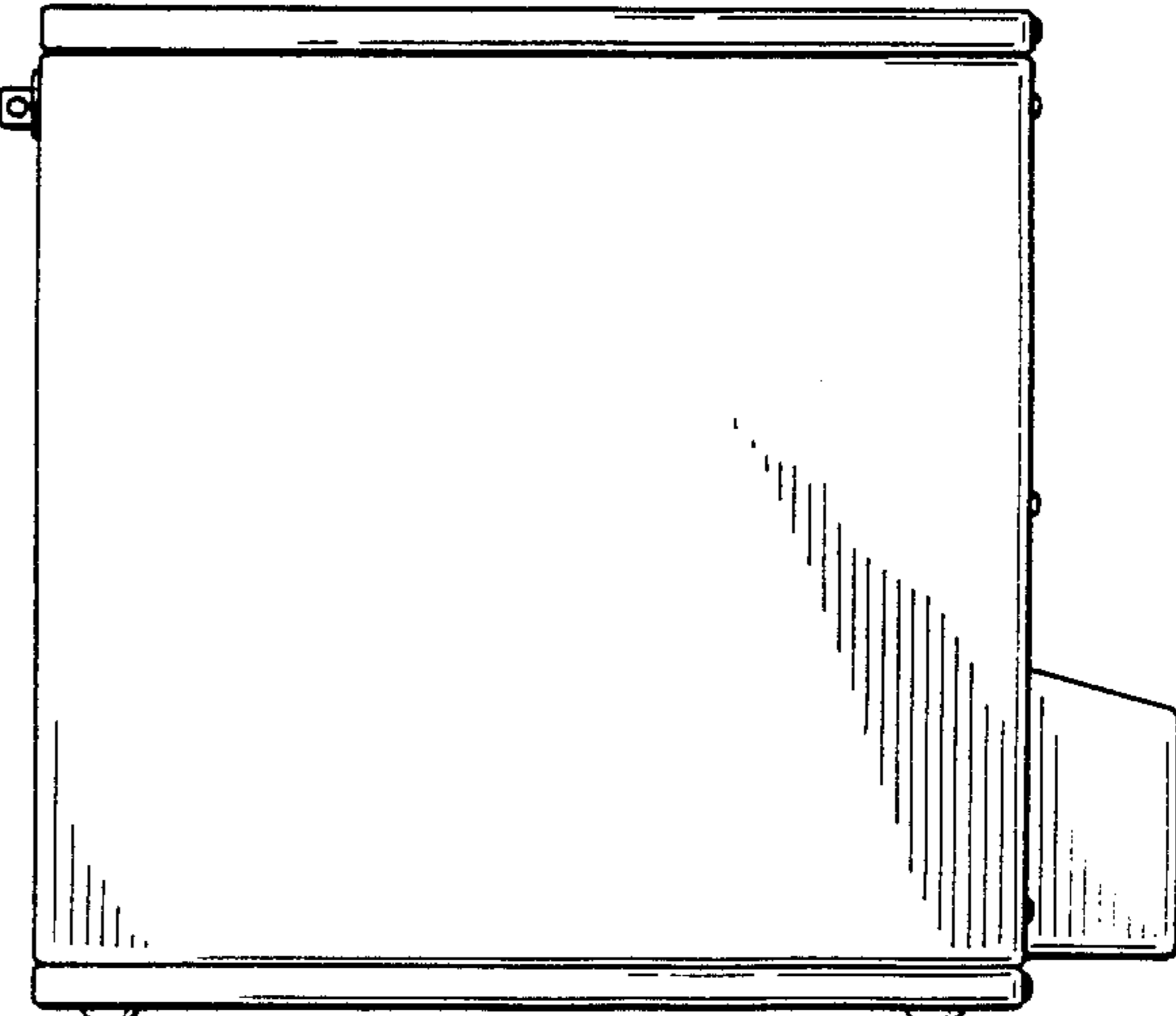


FIG. 3

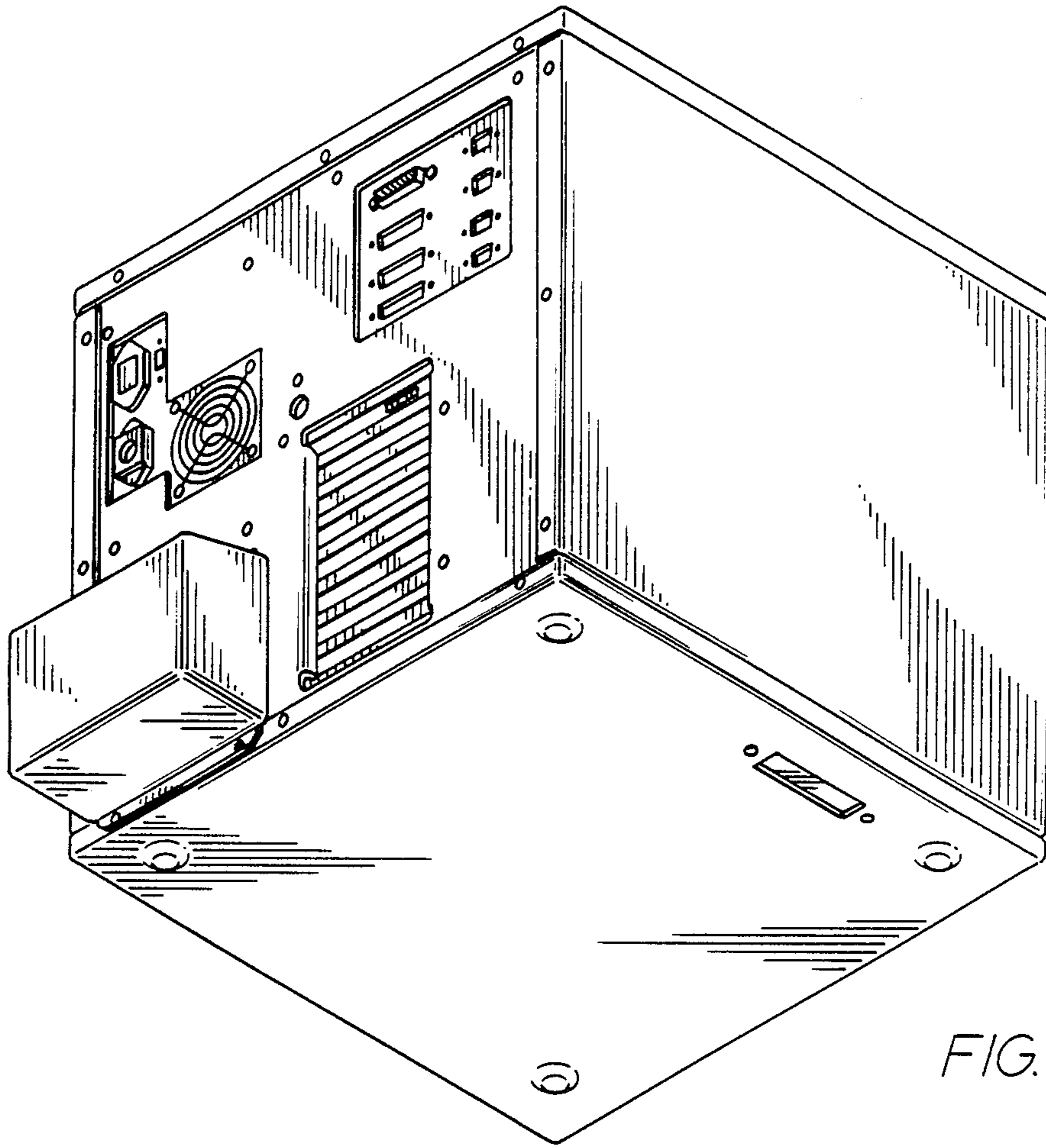


FIG. 4

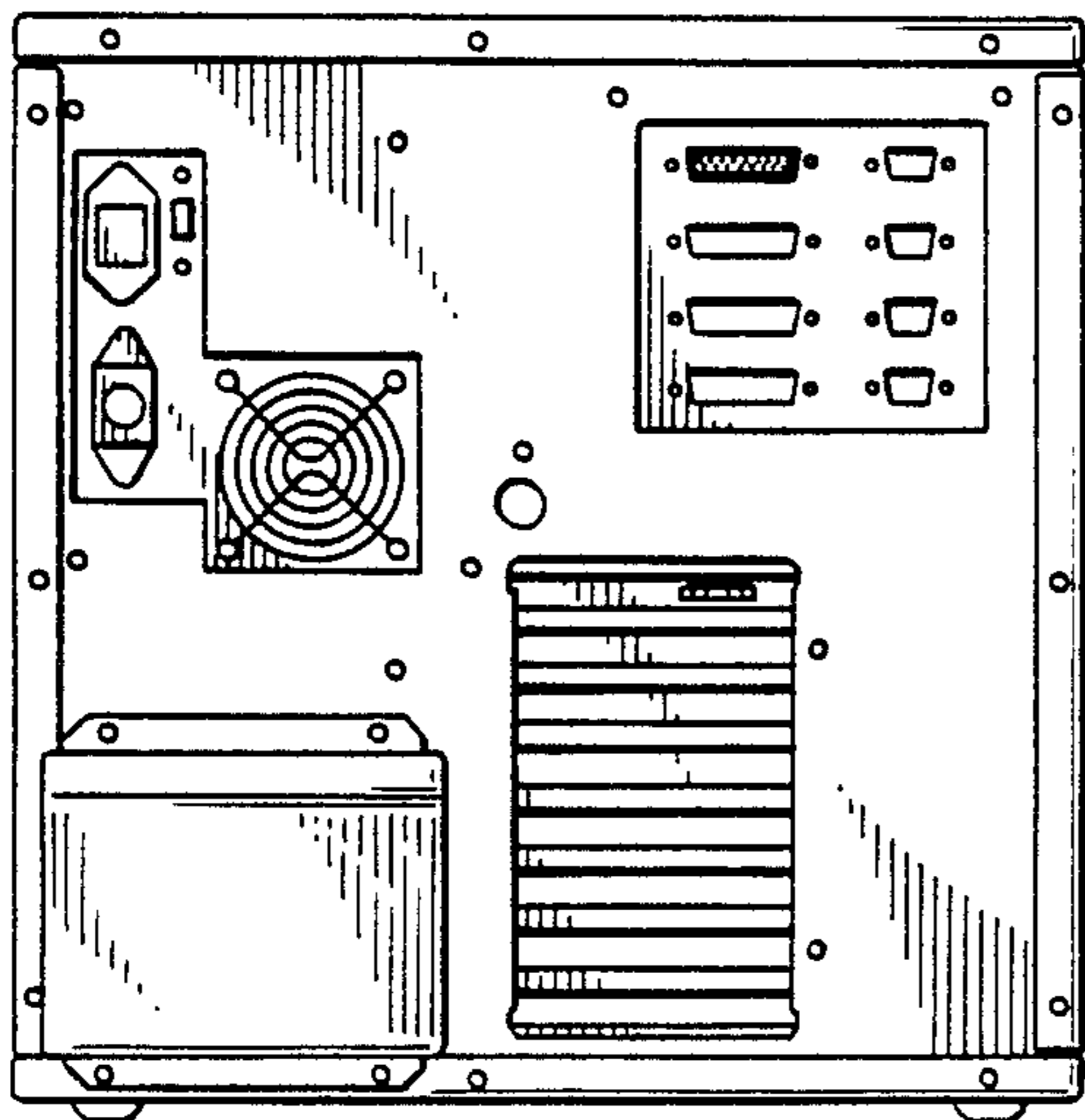


FIG. 5

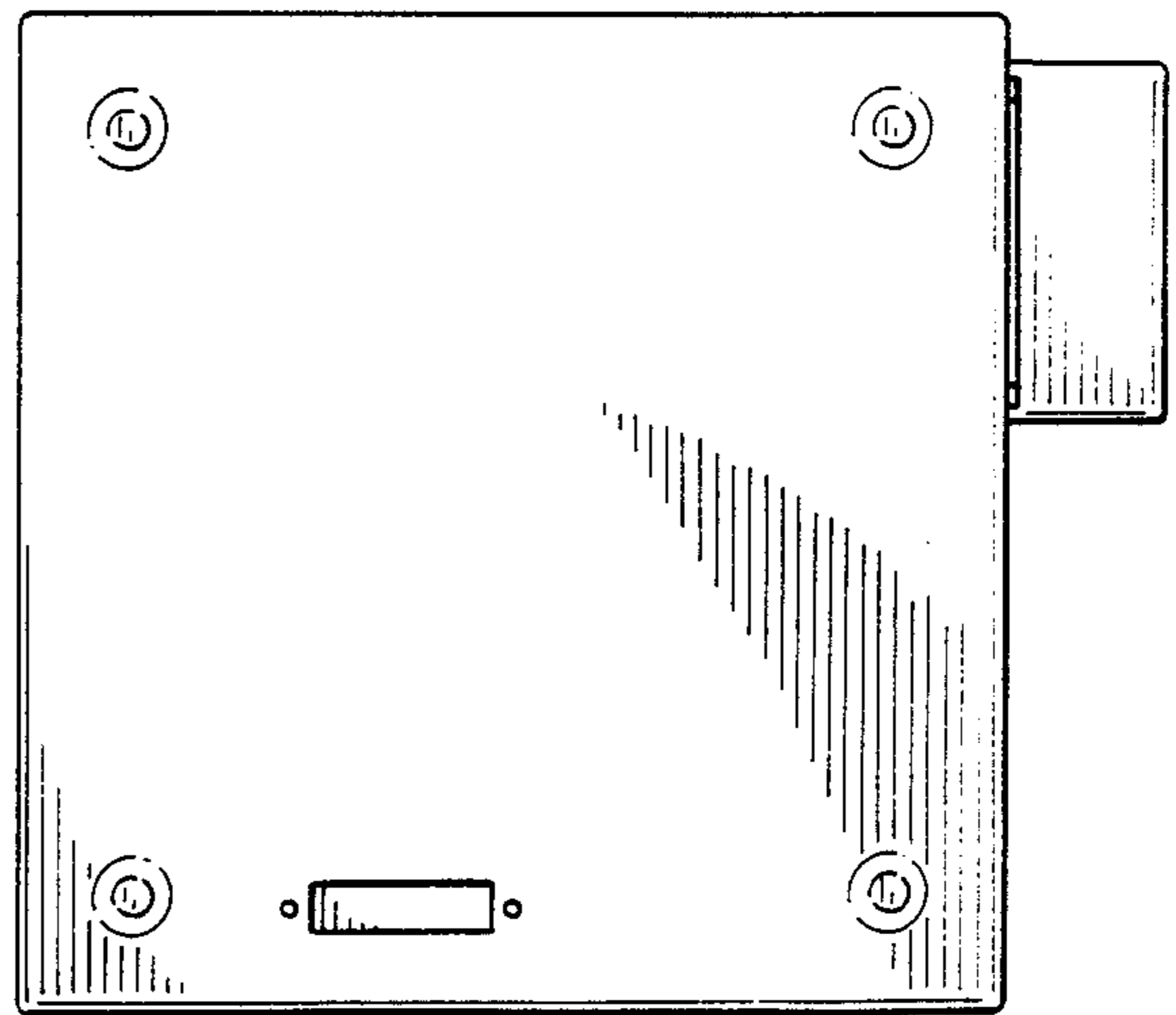


FIG. 6