

[54] POWER UNIT COVER FOR THREE PORTABLE HARDFILES OR THE LIKE

[75] Inventors: David W. Hill, Rochester, Minn.; Margaret C. Sweeney, Georgetown, Tex.

[73] Assignee: International Business Machines Corporation, Armonk, N.Y.

[**] Term: 14 Years

[21] Appl. No.: 246,374

[22] Filed: Sep. 19, 1988

[52] U.S. Cl. D14/100; D13/40; D13/41; D13/184

[58] Field of Search D14/100, 102, 107-109; D13/40, 41; D6/422-428, 432; 200/5 A, 5 R, 6 A, 6 R; 360/97-99; 361/390-395, 415, 426; 312/208

[56] References Cited

U.S. PATENT DOCUMENTS

- D. 259,041 4/1981 Ault et al. D14/100
- D. 259,708 6/1981 Swinstead D13/184 X
- D. 284,664 7/1986 Davis et al. D14/100

OTHER PUBLICATIONS

Computer Products, May 1985, Cover Item 102.

Primary Examiner—Susan J. Lucas
Assistant Examiner—Freda S. Nunn
Attorney, Agent, or Firm—Thomas E. Tyson

[57] CLAIM

The ornamental design for the power unit cover for three portable hardfiles or the like, as shown and described.

DESCRIPTION

FIG. 1 is a front elevational view of a power unit cover for three portable hardfiles or the like showing our new design with the modules inserted;
FIG. 2 is a rear elevational view thereof;
FIG. 3 is a top plan view thereof;
FIG. 4 is a bottom plan view thereof;
FIG. 5 is a right side elevational view thereof;
FIG. 6 is a left side elevational view thereof;
FIG. 7 is a top, front, right side perspective view thereof on a reduced scale, with the modules inserted;
FIG. 8 is a top, front, right side perspective view thereof on a reduced scale.

The modules are shown in FIGS. 1, 3, 4, 5, 6 and 7 for illustrative purposes only and form no part of the claimed design.

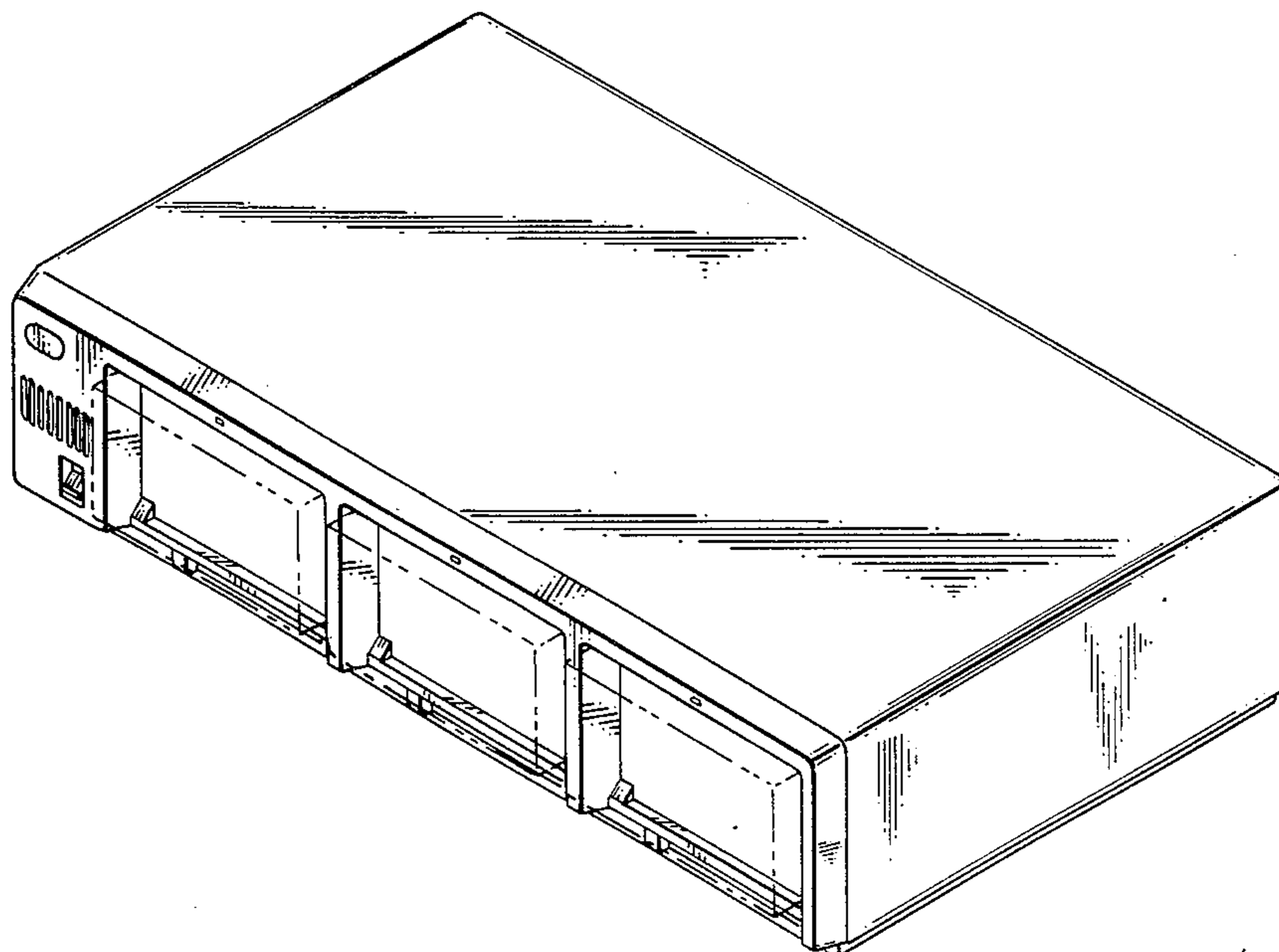


FIG. 1

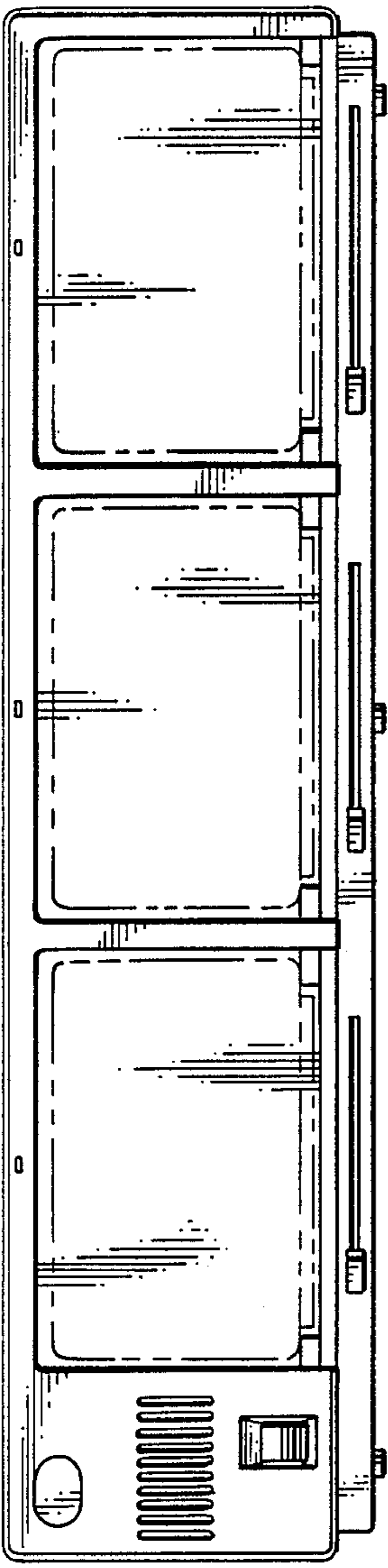
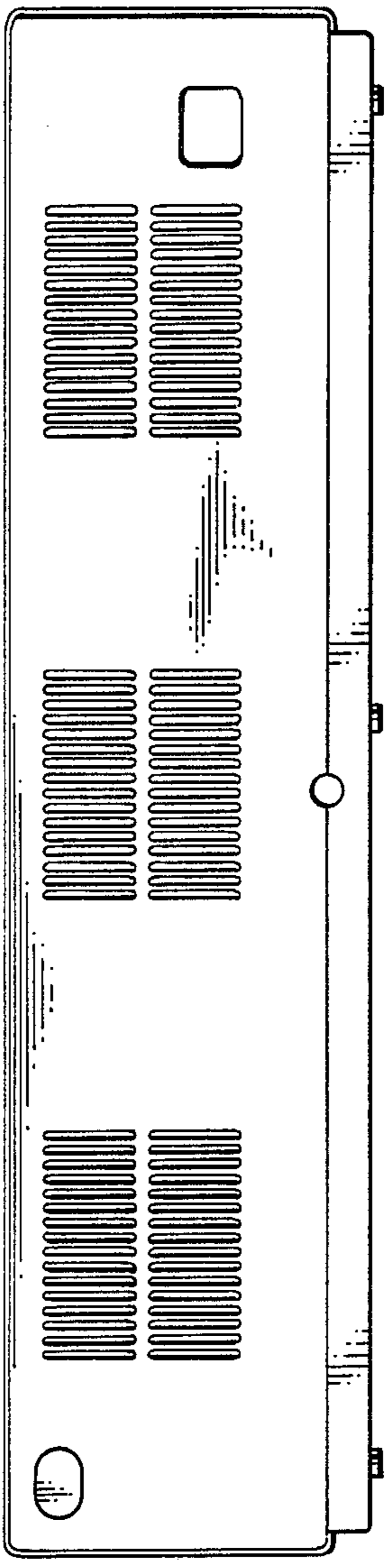


FIG. 2



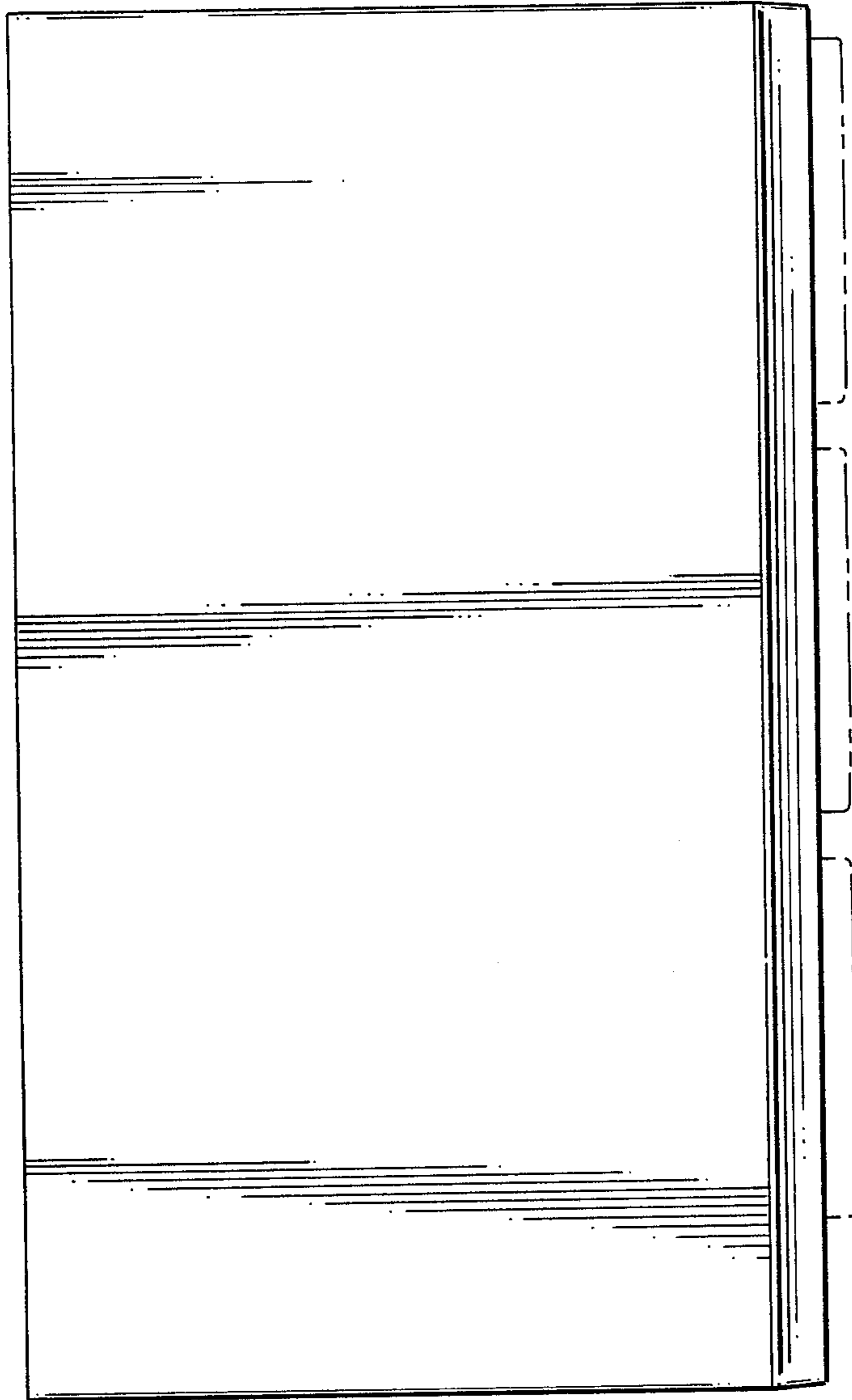


FIG. 3

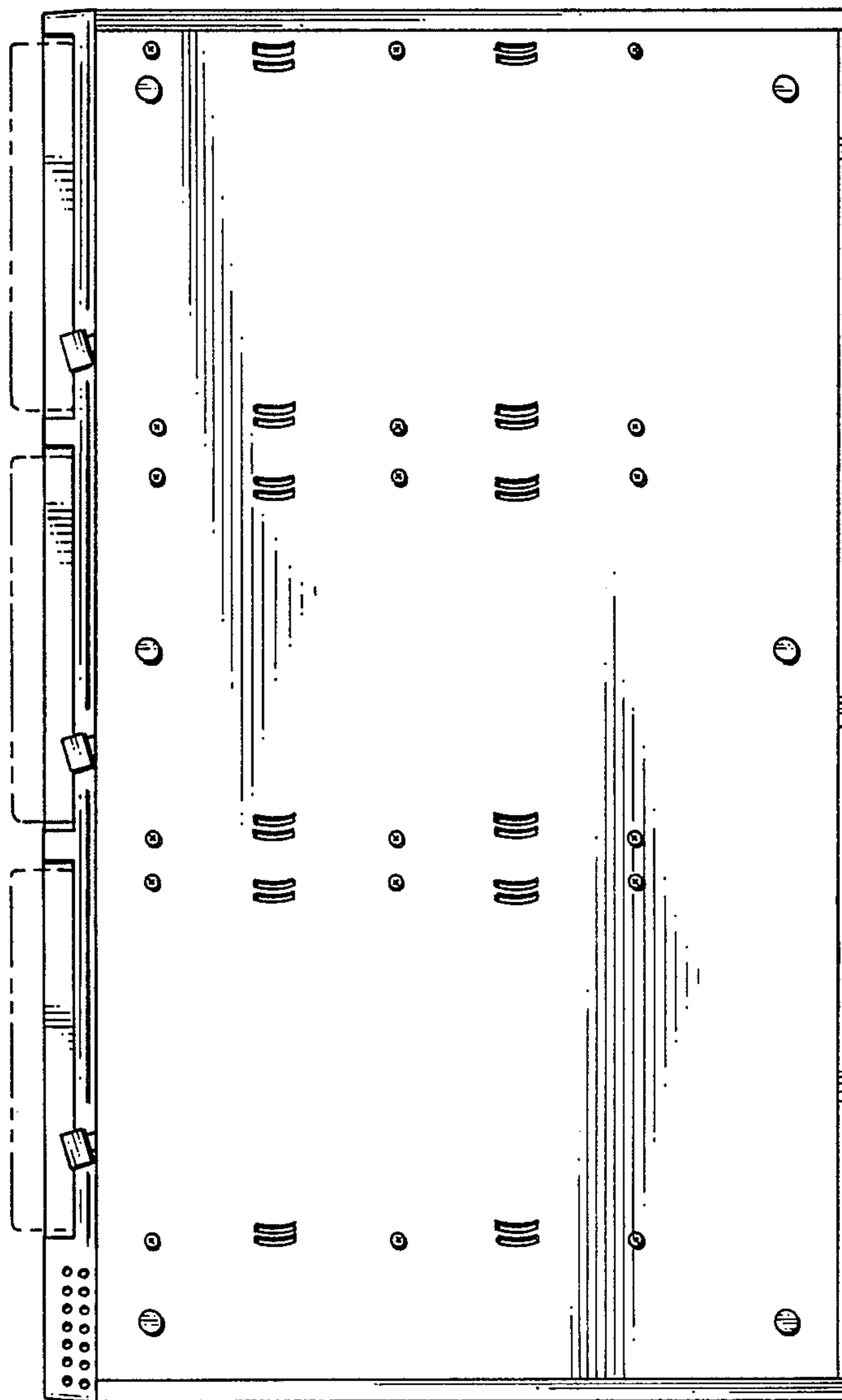


FIG. 4

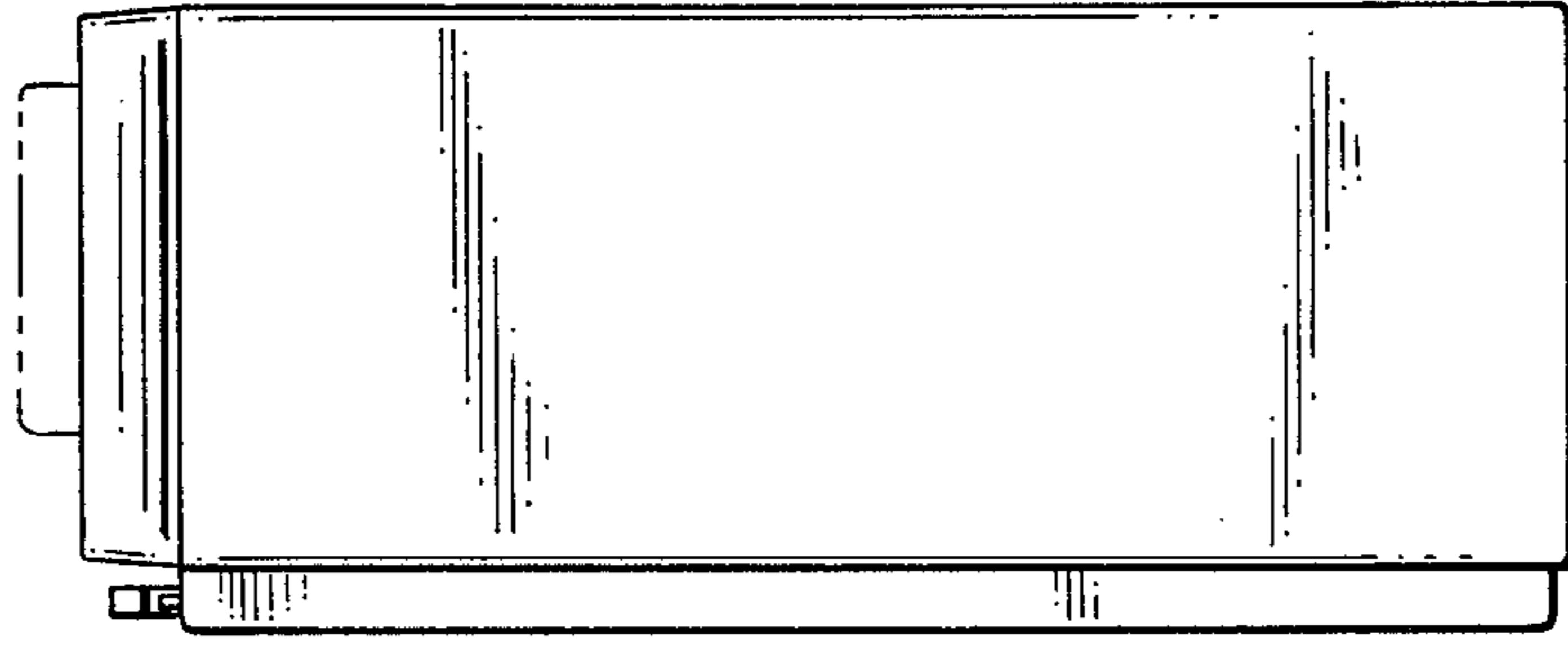


FIG. 5

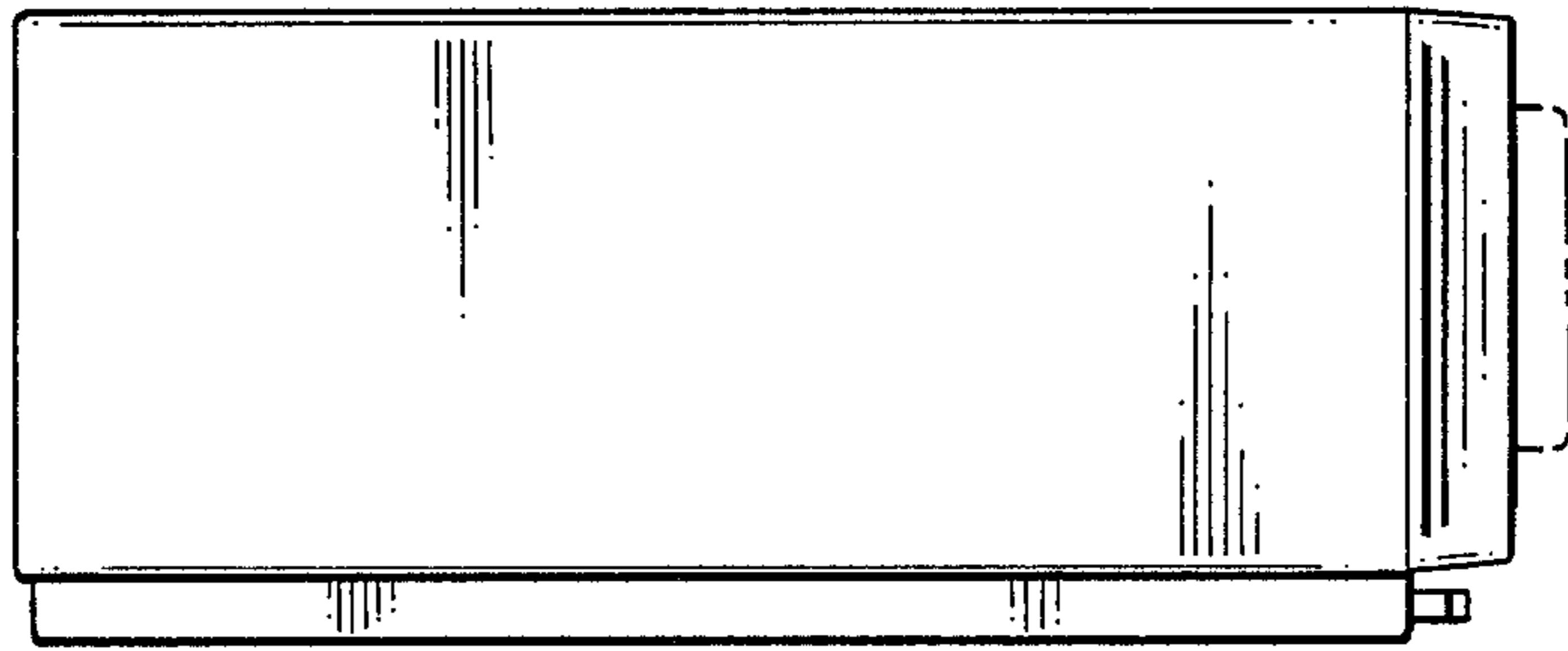


FIG. 6

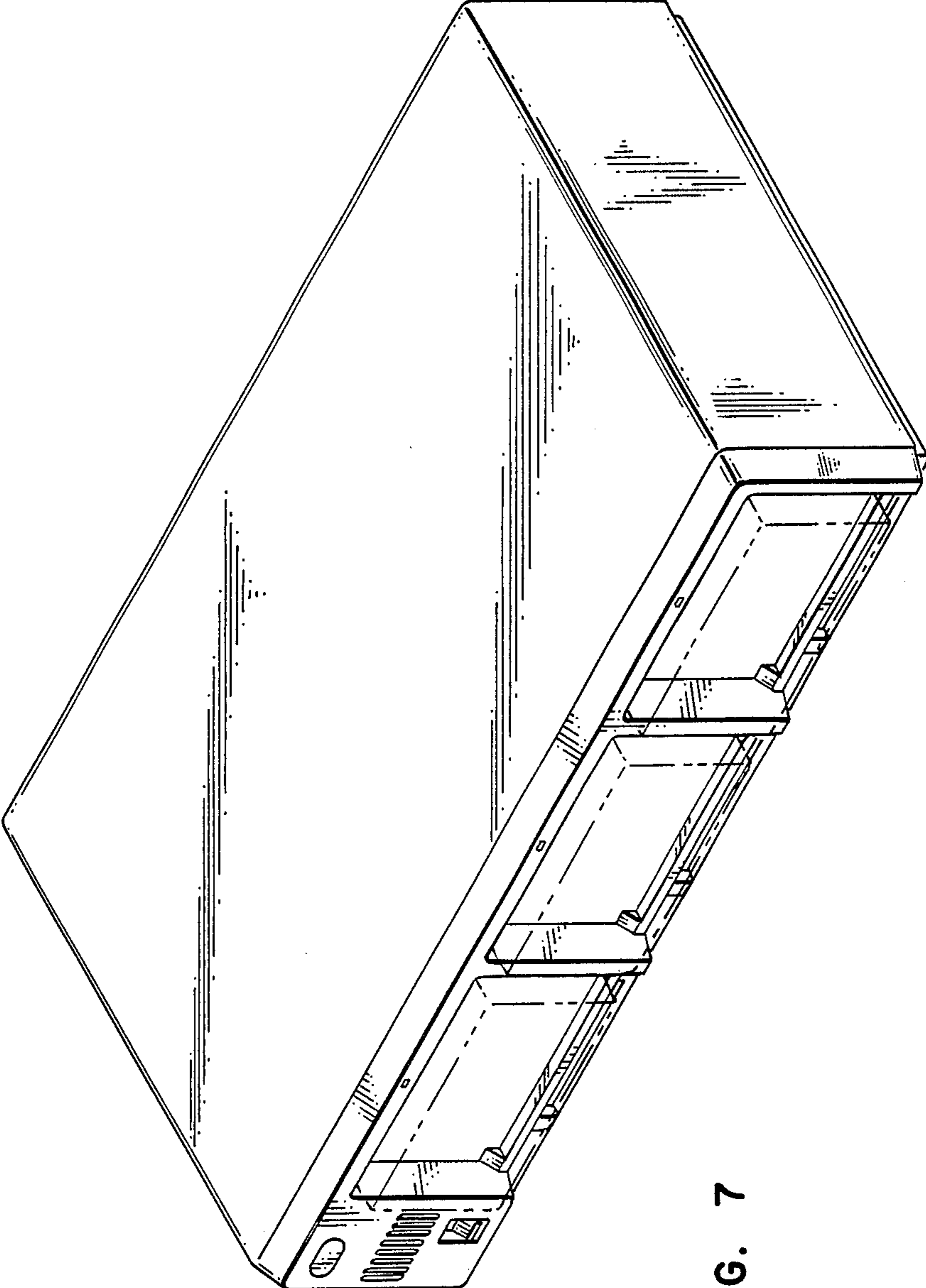


FIG. 7

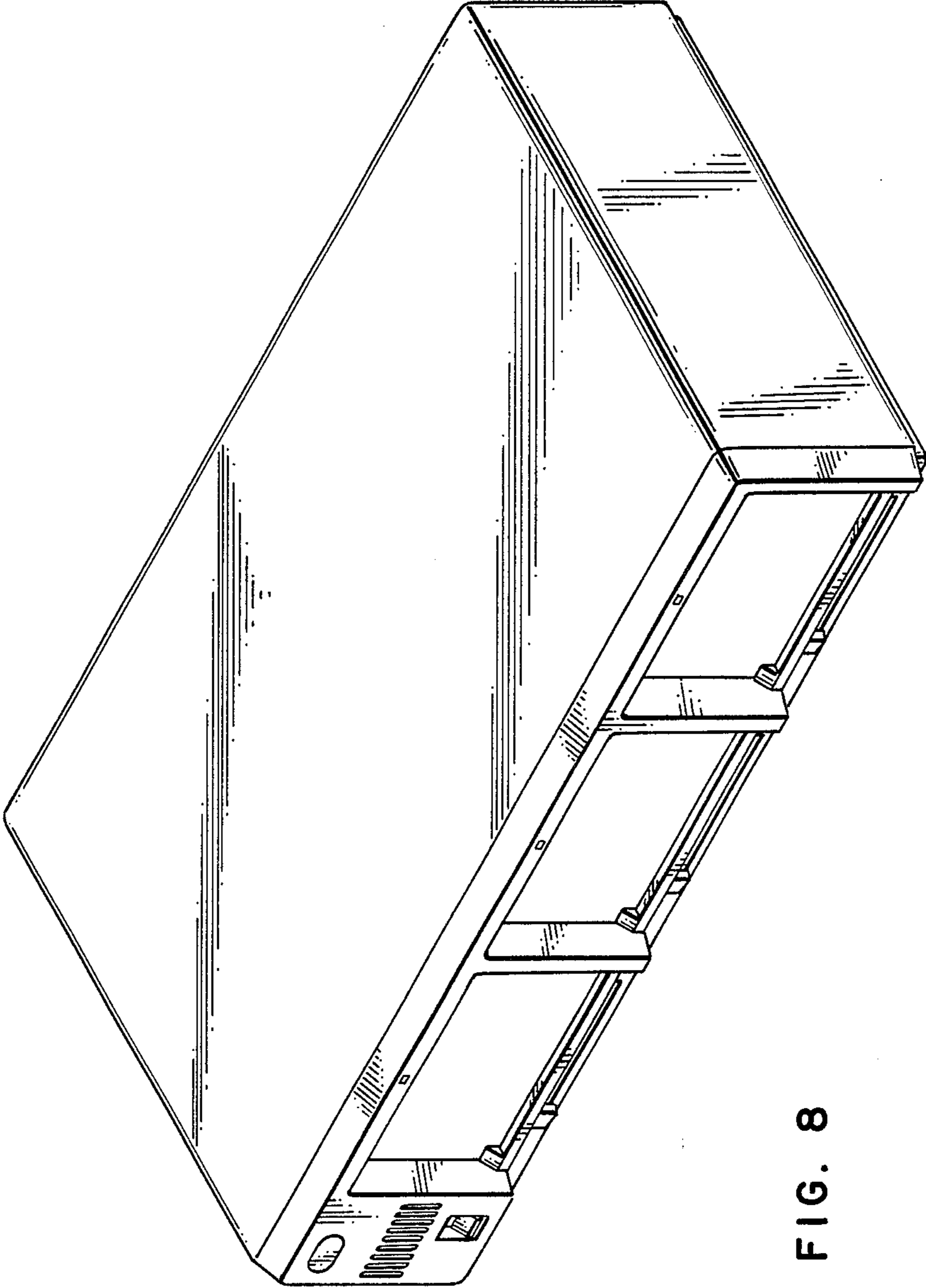


FIG. 8